



US011944577B2

(12) **United States Patent**
Paul et al.

(10) **Patent No.:** **US 11,944,577 B2**

(45) **Date of Patent:** ***Apr. 2, 2024**

(54) **PATIENT TRANSPORT APPARATUS WITH CONTROLLED DRIVE MEMBER DEPLOYMENT**

(71) Applicant: **Stryker Corporation**, Kalamazoo, MI (US)

(72) Inventors: **Anish Paul**, Kalamazoo, MI (US); **Richard A. Derenne**, Portage, MI (US); **Fanqi Meng**, Bentonville, AR (US); **Krishna Sandeep Bhimavarapu**, Kalamazoo, MI (US); **Jeffrey Alan Kennedy**, Kalamazoo, MI (US)

(73) Assignee: **Stryker Corporation**, Kalamazoo, MI (US)

(*) Notice: Subject to any disclaimer, the term of this patent is extended or adjusted under 35 U.S.C. 154(b) by 0 days.

This patent is subject to a terminal disclaimer.

(21) Appl. No.: **18/084,679**

(22) Filed: **Dec. 20, 2022**

(65) **Prior Publication Data**

US 2023/0118237 A1 Apr. 20, 2023

Related U.S. Application Data

(63) Continuation of application No. 17/743,814, filed on May 13, 2022, now Pat. No. 11,559,442, which is a (Continued)

(51) **Int. Cl.**
A61G 7/05 (2006.01)
A61G 1/02 (2006.01)

(Continued)

(52) **U.S. Cl.**
CPC **A61G 1/0268** (2013.01); **A61G 1/0237** (2013.01); **A61G 1/0275** (2013.01);

(Continued)

(58) **Field of Classification Search**
CPC A61G 1/0275; A61G 1/0287; A61G 5/041; A61G 7/0528; A61G 7/08;

(Continued)

(56) **References Cited**

U.S. PATENT DOCUMENTS

5,095,561 A 3/1992 Green et al.
5,348,326 A 9/1994 Fullenkamp et al.

(Continued)

FOREIGN PATENT DOCUMENTS

WO 2005051277 A1 6/2005
WO WO2005051277 6/2005

(Continued)

OTHER PUBLICATIONS

Akebono, "Drum Brake Webpage", http://www.akebono-brake.com/english/product_technology/product/automotive/drum/, 2018, 5 pages.

(Continued)

Primary Examiner — Jason D Shanske

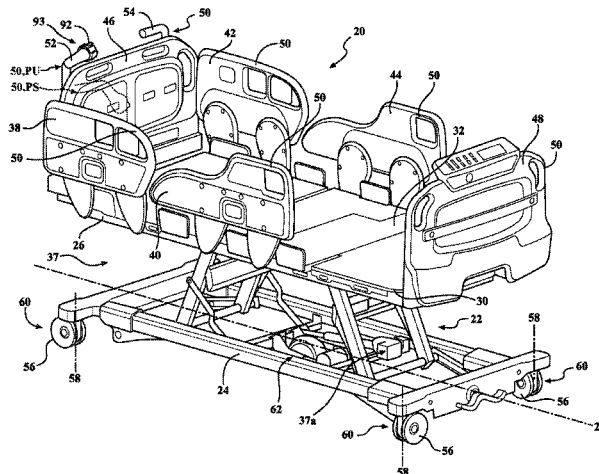
Assistant Examiner — James J Triggs

(74) *Attorney, Agent, or Firm* — Howard & Howard Attorneys PLLC

(57) **ABSTRACT**

A patient transport apparatus transports a patient over a floor surface. The patient transport apparatus comprises a support structure and support wheels coupled to the support structure. An auxiliary wheel is coupled to the support structure to influence motion of the patient transport apparatus over the floor surface to assist users. An actuator is operatively coupled to the auxiliary wheel and operable to move the auxiliary wheel relative to the support structure from a retracted position to a deployed position. A user interface sensor is operatively connected to the actuator and configured to generate signals responsive to the user touching the user interface. A controller is operatively coupled to the user

(Continued)



interface sensor and the actuator to operate the actuator in response to detection of signals.

16 Claims, 26 Drawing Sheets

Related U.S. Application Data

continuation of application No. 17/021,086, filed on Sep. 15, 2020, now Pat. No. 11,357,675, which is a continuation of application No. 16/222,506, filed on Dec. 17, 2018, now Pat. No. 10,799,403.

(60) Provisional application No. 62/611,065, filed on Dec. 28, 2017.

(51) **Int. Cl.**
A61G 5/04 (2013.01)
A61G 5/10 (2006.01)
A61G 7/08 (2006.01)

(52) **U.S. Cl.**
 CPC *A61G 1/0287* (2013.01); *A61G 5/041* (2013.01); *A61G 5/1005* (2013.01); *A61G 7/05* (2013.01); *A61G 7/0528* (2016.11); *A61G 7/08* (2013.01); *A61G 2203/10* (2013.01); *A61G 2203/14* (2013.01); *A61G 2203/30* (2013.01); *A61G 2203/32* (2013.01); *A61G 2203/36* (2013.01)

(58) **Field of Classification Search**
 CPC A61G 2203/10; A61G 2203/14; A61G 2203/32; A61G 2203/36
 See application file for complete search history.

(56) **References Cited**

U.S. PATENT DOCUMENTS

5,806,111 A 9/1998 Heimbrock et al.
 5,987,671 A 11/1999 Heimbrock et al.
 6,016,580 A 1/2000 Heimbrock et al.
 6,178,575 B1 1/2001 Harada
 6,256,812 B1 7/2001 Bartow et al.
 6,286,165 B1 9/2001 Heimbrock et al.
 6,298,551 B1 10/2001 Wojnarowski et al.
 6,315,319 B1 11/2001 Hanson et al.
 6,330,926 B1 12/2001 Heimbrock et al.
 6,505,359 B2 1/2003 Heimbrock et al.
 6,588,523 B2 7/2003 Heimbrock et al.
 6,598,247 B1 7/2003 Heimbrock et al.
 6,601,251 B2 8/2003 Paul
 6,668,402 B2 12/2003 Heimbrock
 6,715,688 B2 4/2004 Kobayashi
 6,749,034 B2 6/2004 Vogel et al.
 6,752,224 B2 6/2004 Hopper et al.
 6,772,460 B2 8/2004 Heimbrock et al.
 6,792,630 B1 9/2004 Palmatier
 6,877,572 B2 4/2005 Vogel et al.
 6,902,019 B2 6/2005 Heimbrock et al.
 7,011,172 B2 3/2006 Heimbrock et al.
 7,014,000 B2 3/2006 Kummer et al.
 7,062,805 B2 6/2006 Hopper et al.
 7,083,012 B2 8/2006 Vogel et al.
 7,090,041 B2 8/2006 Vogel et al.
 7,195,253 B2 3/2007 Vogel et al.
 7,273,115 B2 9/2007 Kummer et al.
 7,284,626 B2 10/2007 Heimbrock et al.
 7,302,717 B2 12/2007 Reinke et al.
 7,407,024 B2 8/2008 Vogel et al.
 7,419,019 B1 9/2008 White et al.
 7,530,412 B2 5/2009 Heimbrock et al.
 7,540,047 B2 6/2009 Lambarth
 7,626,548 B2 12/2009 Matsushita

7,828,092 B2 11/2010 Vogel et al.
 7,882,582 B2 2/2011 Kappeler et al.
 7,953,537 B2 5/2011 Bhai
 7,980,477 B2 7/2011 Finn
 8,051,931 B2 11/2011 Vogel et al.
 8,109,525 B2 2/2012 Salus
 8,122,535 B2 2/2012 Hensley et al.
 8,240,410 B2 8/2012 Heimbrock et al.
 8,260,517 B2 9/2012 Bhai
 8,267,206 B2 9/2012 Vogel et al.
 8,359,685 B2 1/2013 Patwardhan
 8,397,846 B2 3/2013 Heimbrock et al.
 8,662,217 B2 3/2014 Block et al.
 8,746,710 B2 6/2014 Schejbal
 8,747,073 B2 6/2014 Oilgaard
 8,756,726 B2 6/2014 Hamberg et al.
 8,757,308 B2 6/2014 Bhai et al.
 8,781,677 B2 7/2014 Roberts et al.
 8,978,795 B2 3/2015 Block et al.
 9,271,887 B2 3/2016 Schejbal
 9,358,169 B2 6/2016 Ottenweller et al.
 9,707,143 B2 7/2017 Thodupunuri et al.
 9,937,943 B2 4/2018 Nilsson et al.
 9,950,244 B1 4/2018 Sargis
 10,406,045 B2 9/2019 Hayes et al.
 10,603,234 B2 3/2020 Puvogel et al.
 10,779,403 B2 10/2020 Paul et al.
 10,799,403 B2* 10/2020 Paul A61G 7/08
 11,357,675 B2 6/2022 Paul et al.
 2003/0159861 A1 8/2003 Hopper et al.
 2005/0057010 A1 3/2005 Hopper et al.
 2005/0101164 A1 5/2005 Rathbum
 2005/0126835 A1 6/2005 Lenkman
 2007/0228547 A1 10/2007 Silverbrook
 2007/0245488 A1 10/2007 Zimbalista et al.
 2009/0236134 A1 9/2009 Knecht
 2010/0181122 A1 7/2010 Block et al.
 2011/0087416 A1 4/2011 Patmore
 2011/0177839 A1 7/2011 Baliarda et al.
 2011/0272200 A1* 11/2011 Clapp A61G 7/018
 297/118
 2011/0277241 A1 11/2011 Schejbal
 2012/0198620 A1 8/2012 Hornbach et al.
 2014/0076644 A1 3/2014 Derenne et al.
 2015/0129333 A1 5/2015 Morris et al.
 2015/0380355 A1 12/2015 Rogers et al.
 2016/0137216 A1 5/2016 Nilsson et al.
 2016/0143796 A1 5/2016 Jordan et al.
 2016/0242978 A1 8/2016 Jurka
 2016/0302985 A1 10/2016 Tessmer et al.
 2017/0020752 A1 1/2017 Childs et al.
 2017/0172821 A1 6/2017 Childs et al.
 2017/0281440 A1 10/2017 Puvogel et al.
 2018/0076527 A1 3/2018 Chen
 2018/0185208 A1 7/2018 Jonsson et al.
 2018/0250178 A1 9/2018 Paul et al.
 2019/0146319 A1 5/2019 Stapleton
 2019/0167494 A1 6/2019 Patmore et al.
 2019/0201255 A1 7/2019 Paul et al.
 2019/0201256 A1 7/2019 Derenne et al.
 2019/0209406 A1 7/2019 Wilson et al.
 2019/0298590 A1 10/2019 Patmore et al.
 2021/0000665 A1 1/2021 Paul et al.
 2022/0265492 A1 8/2022 Paul et al.

FOREIGN PATENT DOCUMENTS

WO 2015021950 A1 2/2015
 WO WO2015021950 2/2015
 WO 2016196403 A1 12/2016
 WO WO2016196403 12/2016
 WO 2017001497 A1 1/2017
 WO WO2017001497 1/2017

(56)

References Cited

FOREIGN PATENT DOCUMENTS

WO	2017151817 A1	9/2017
WO	WO2017151817	9/2017

OTHER PUBLICATIONS

English language abstract for WO 2005/051277 extracted from
espacenet.com database on Feb. 20, 2019, 2 pages.

* cited by examiner

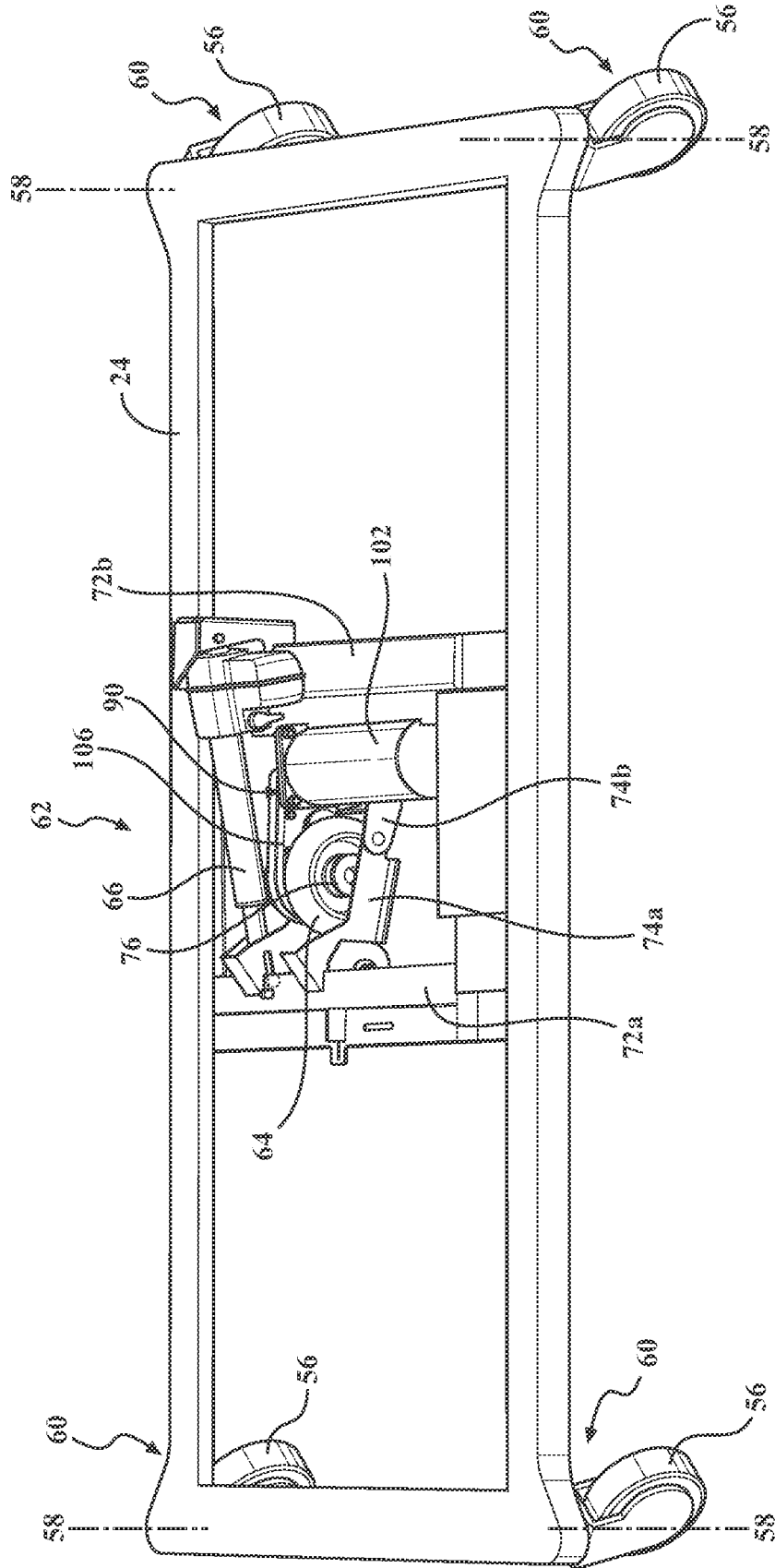


FIG. 2

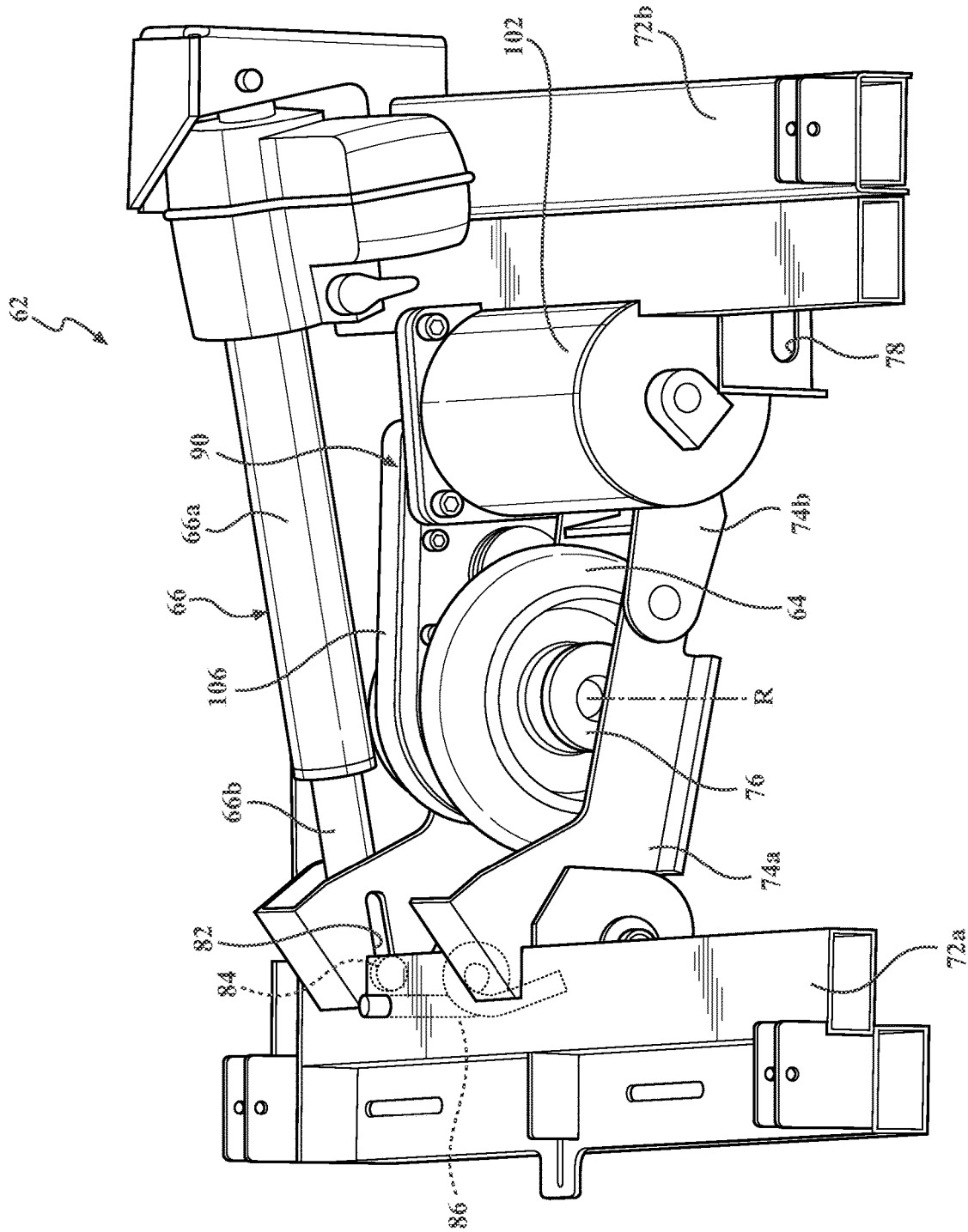


FIG. 3

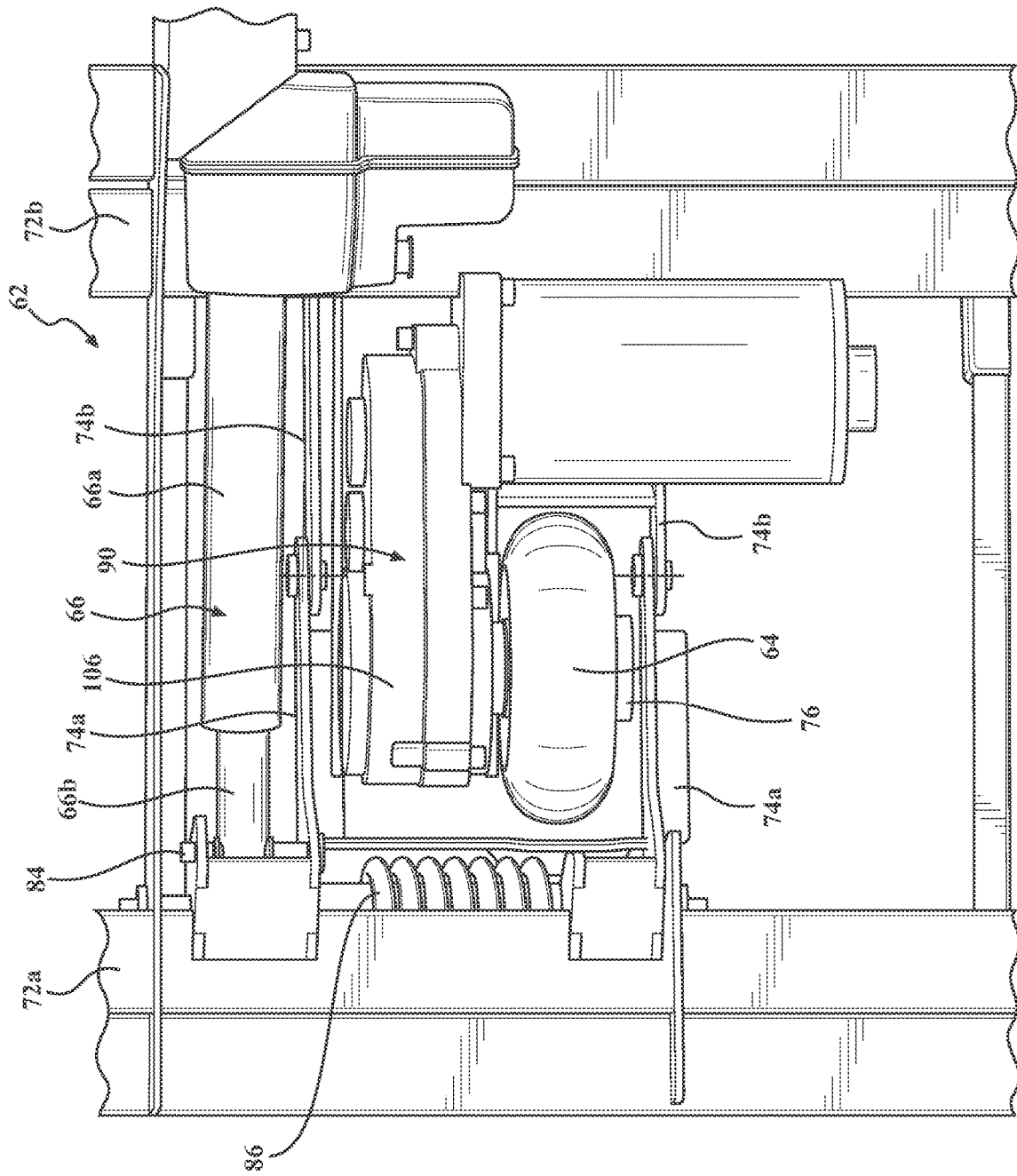


FIG. 4

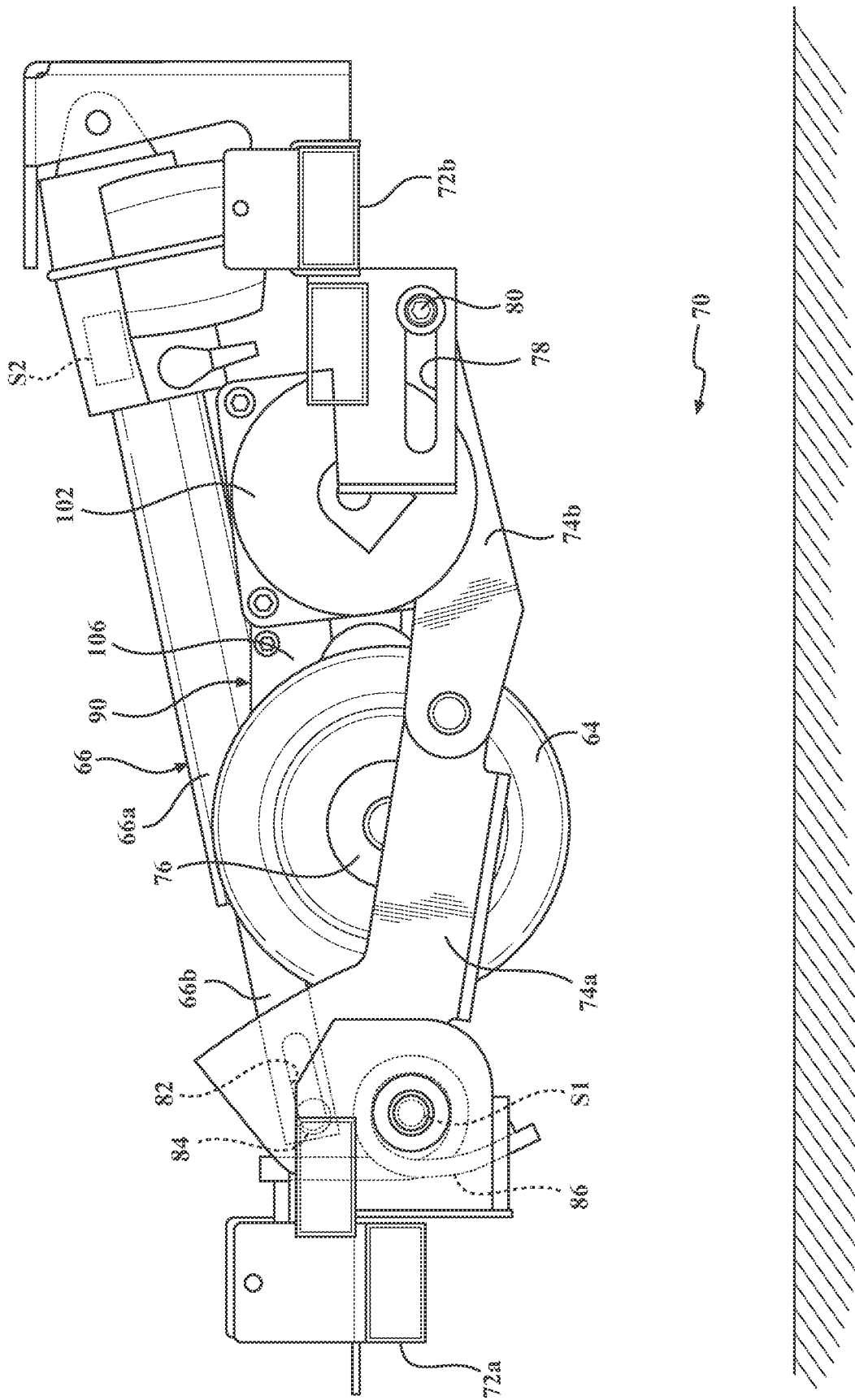


FIG. 5A

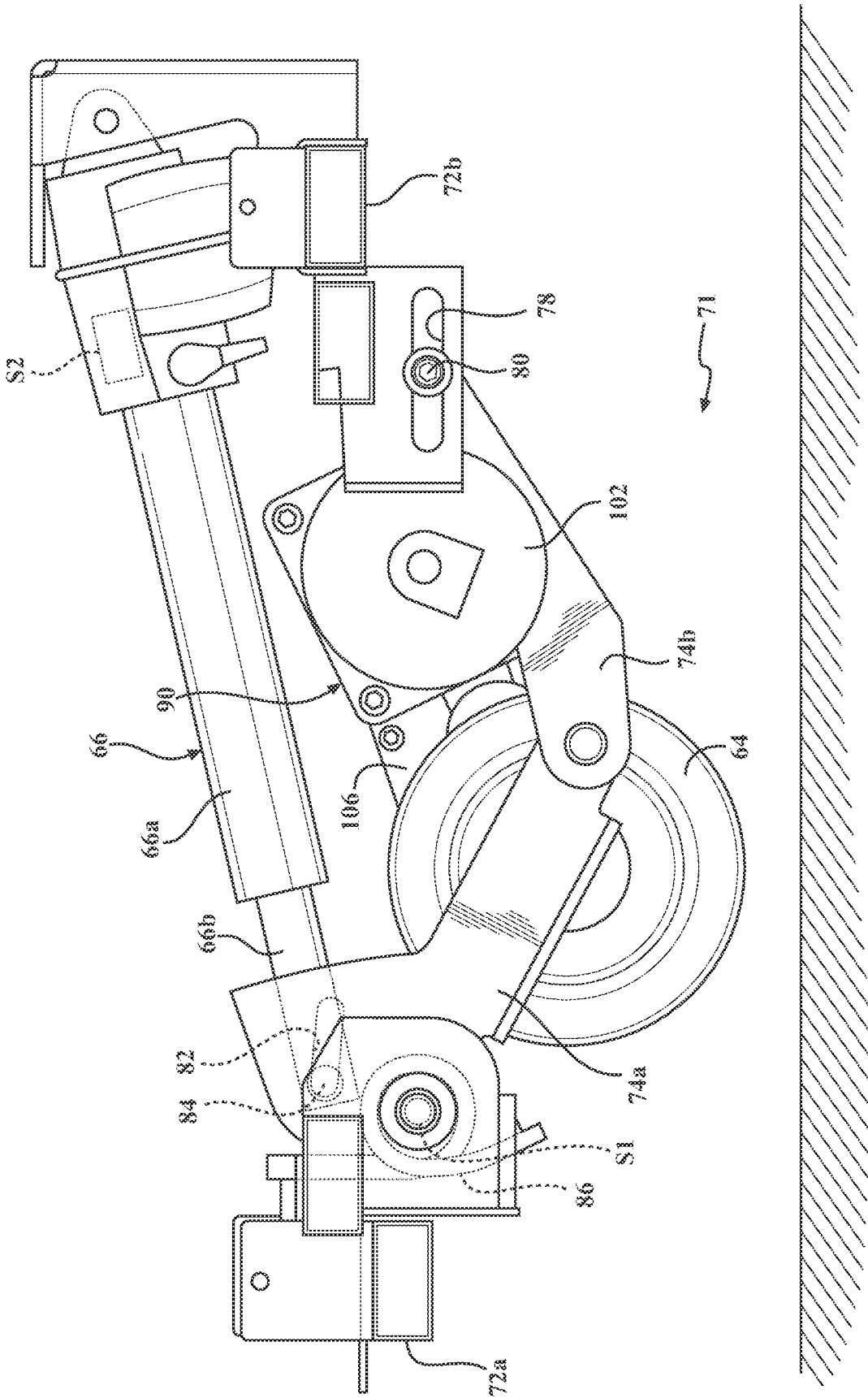


FIG. 5B

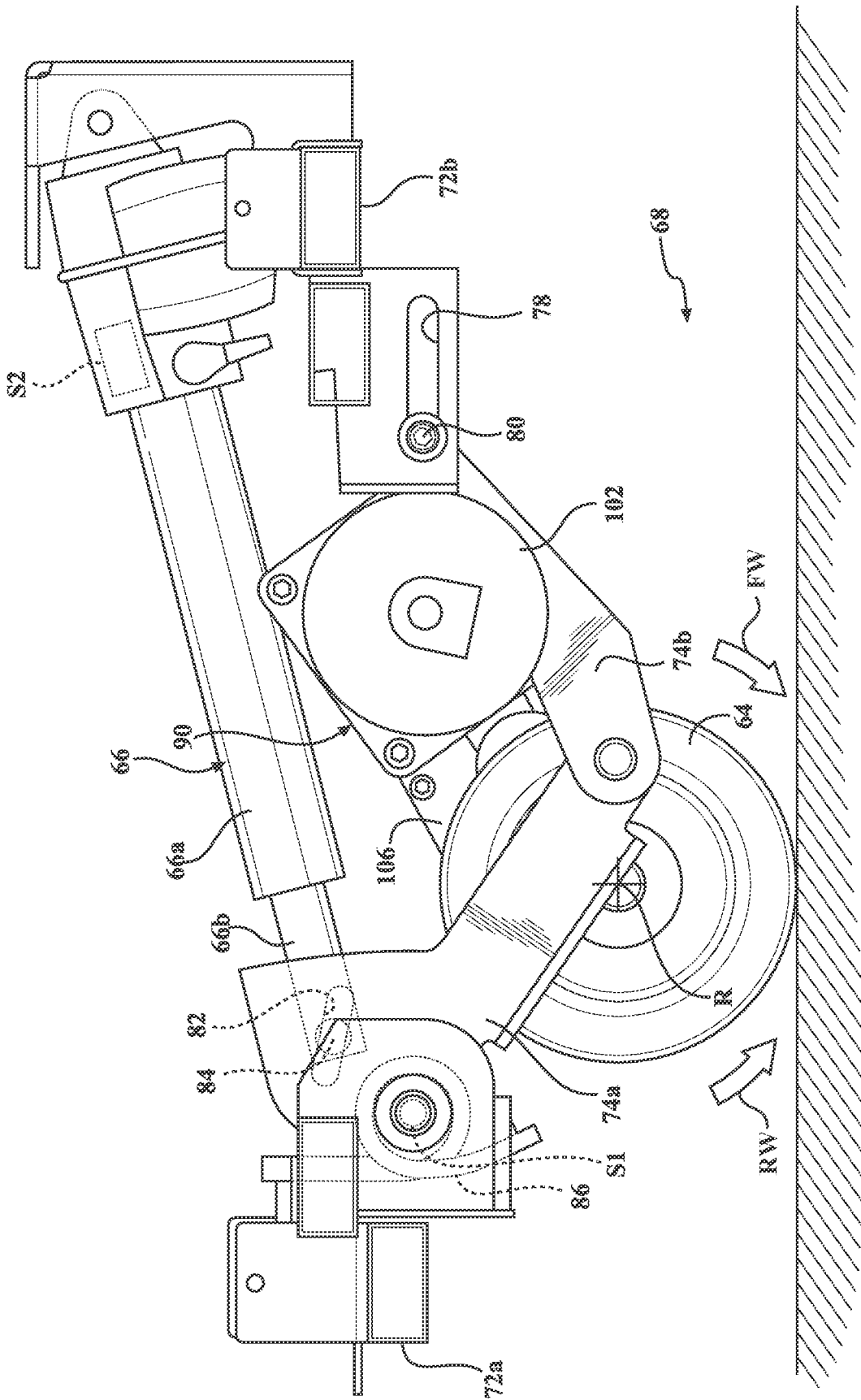


FIG. 5C

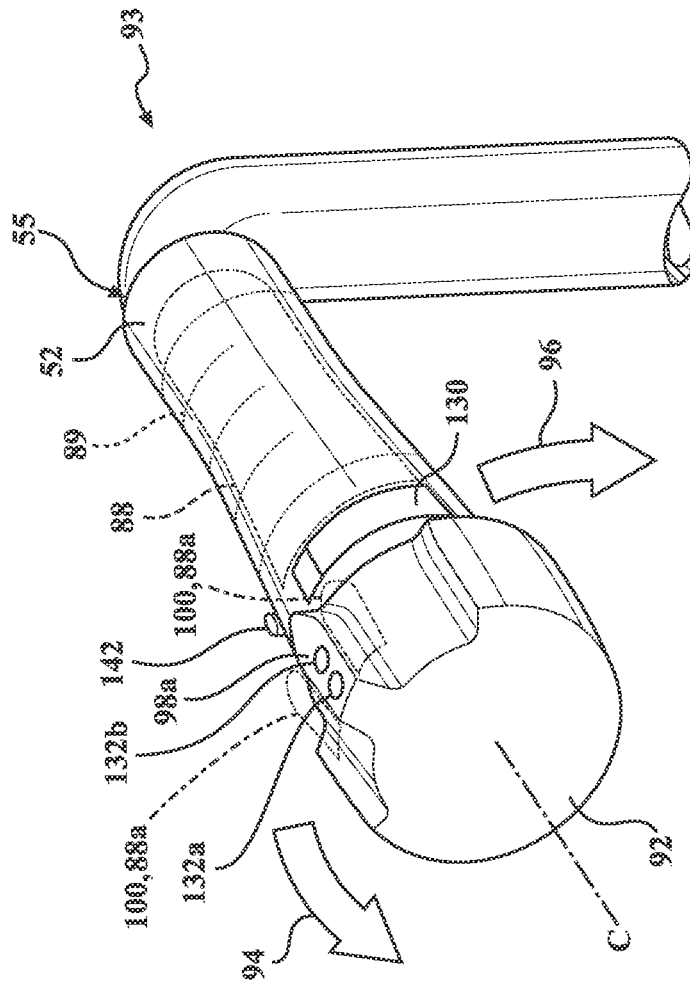


FIG. 6A

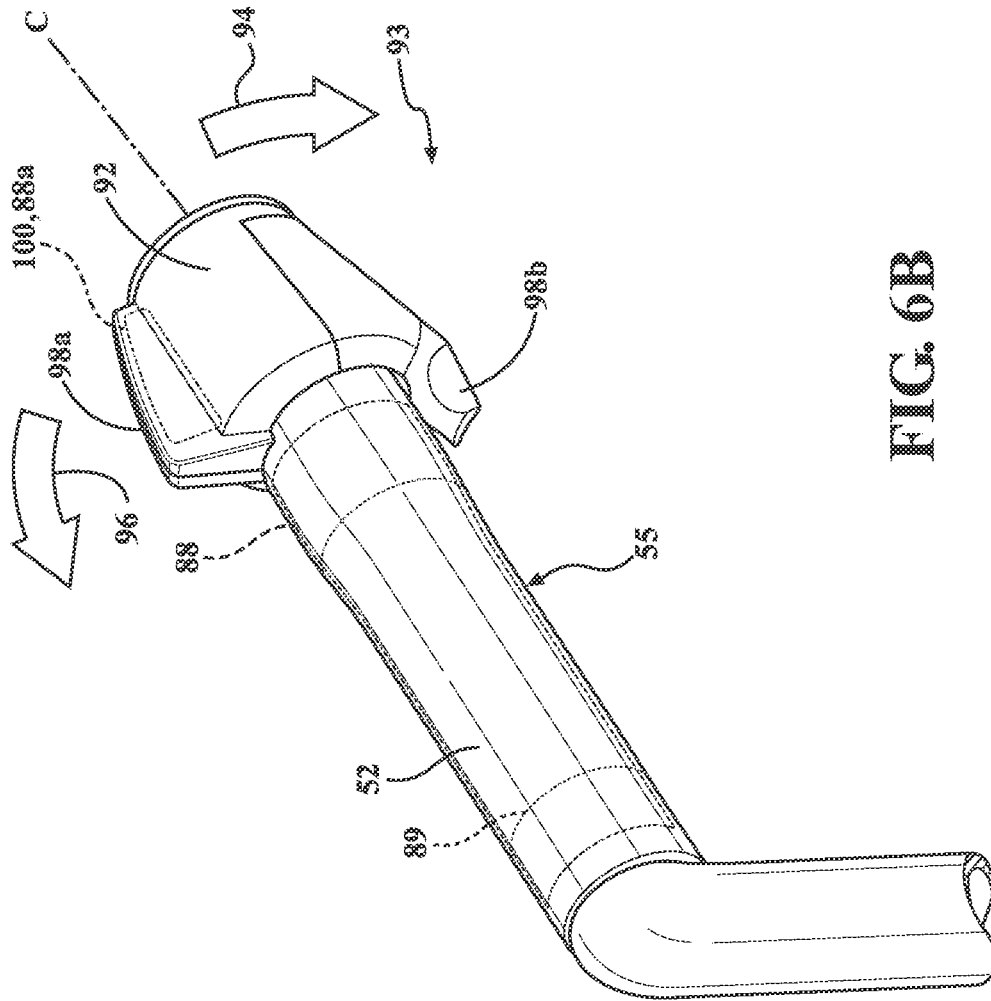


FIG. 6B

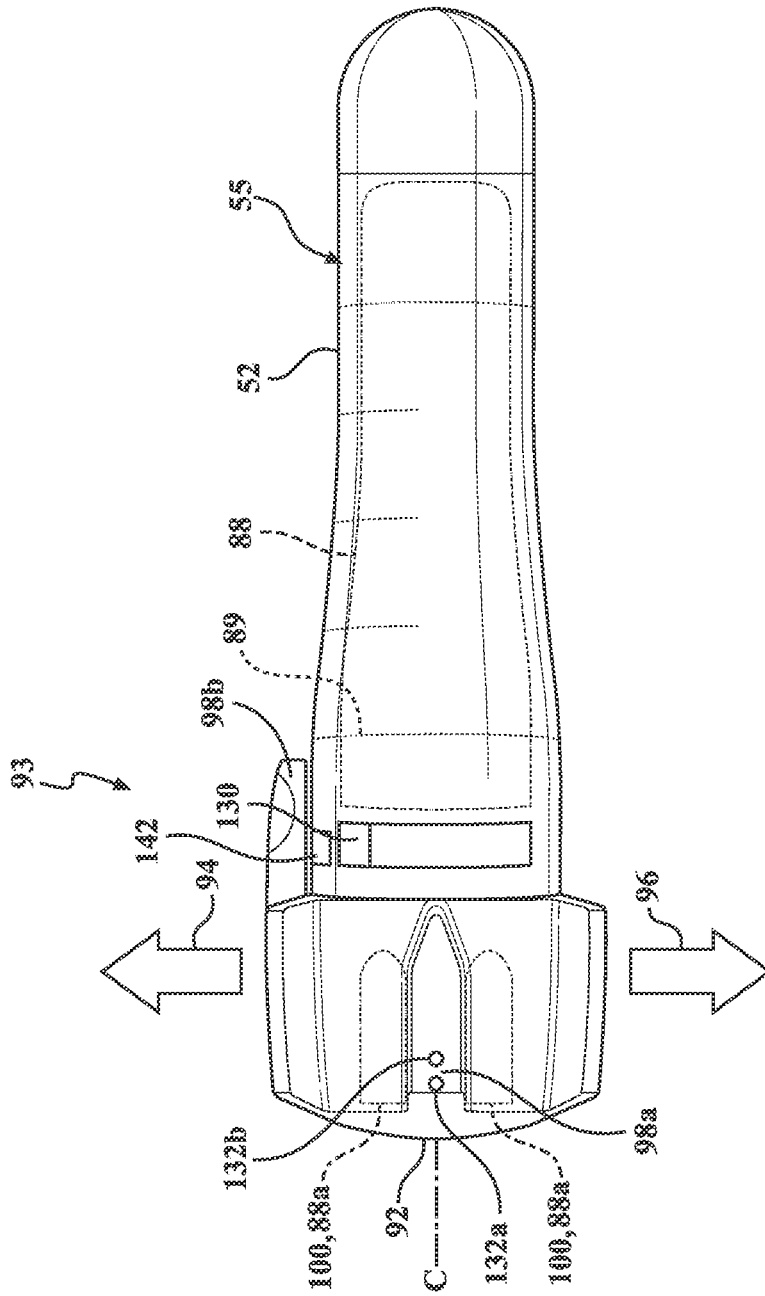


FIG. 7

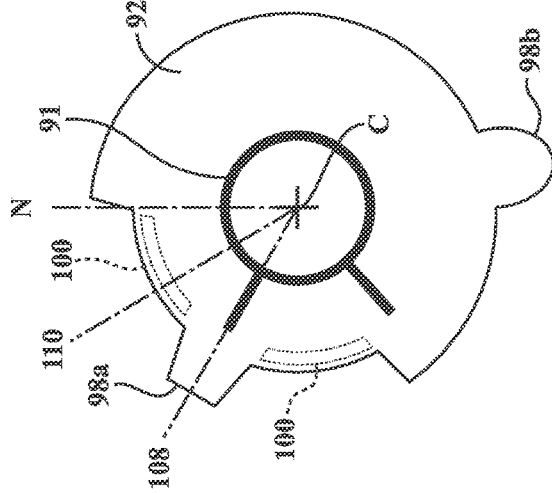


FIG. 8C

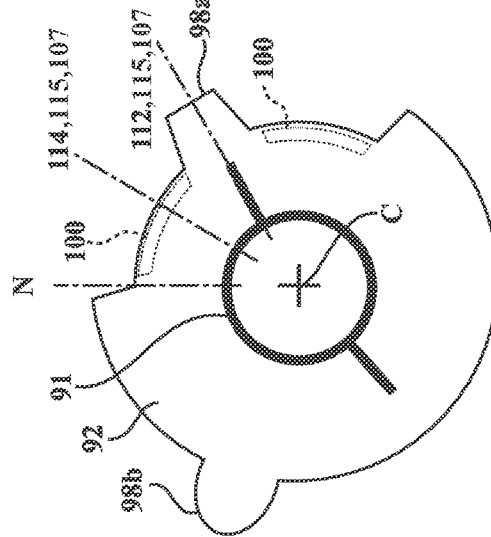


FIG. 8F

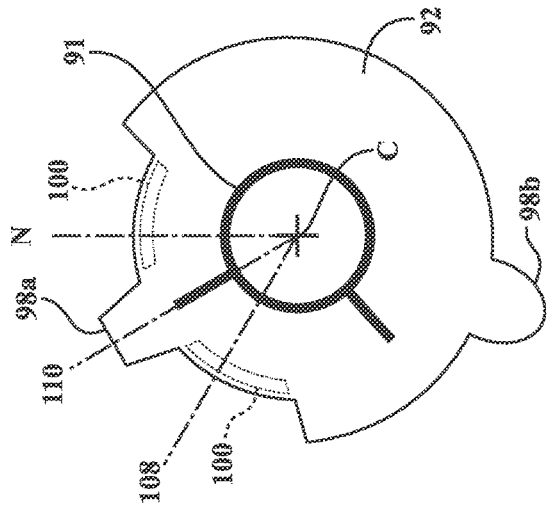


FIG. 8B

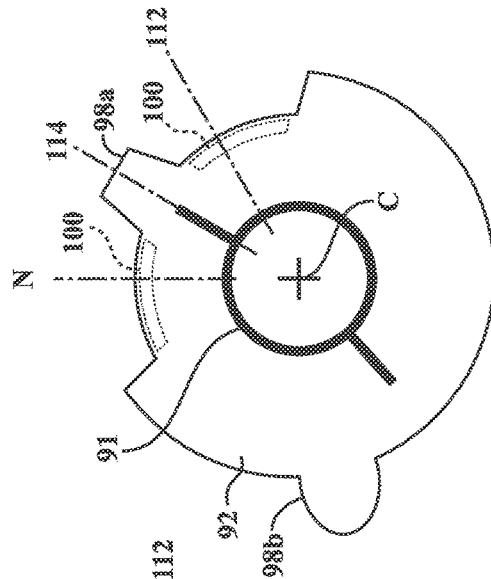


FIG. 8E

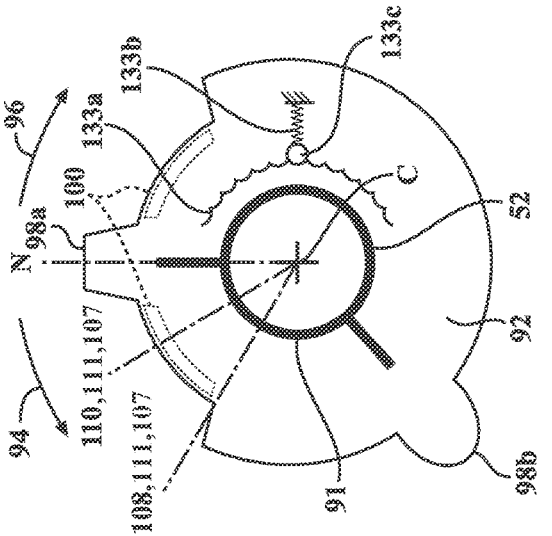


FIG. 8A

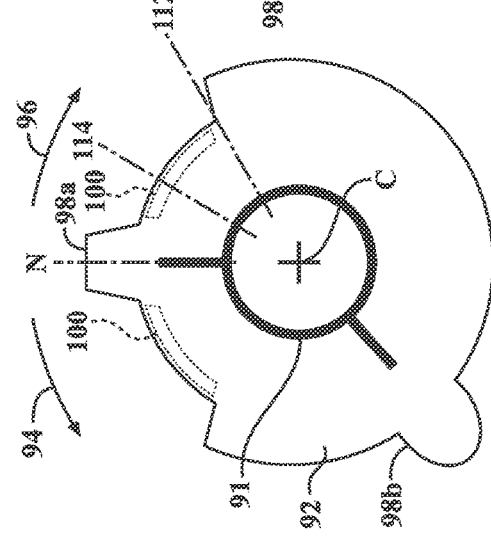


FIG. 8D

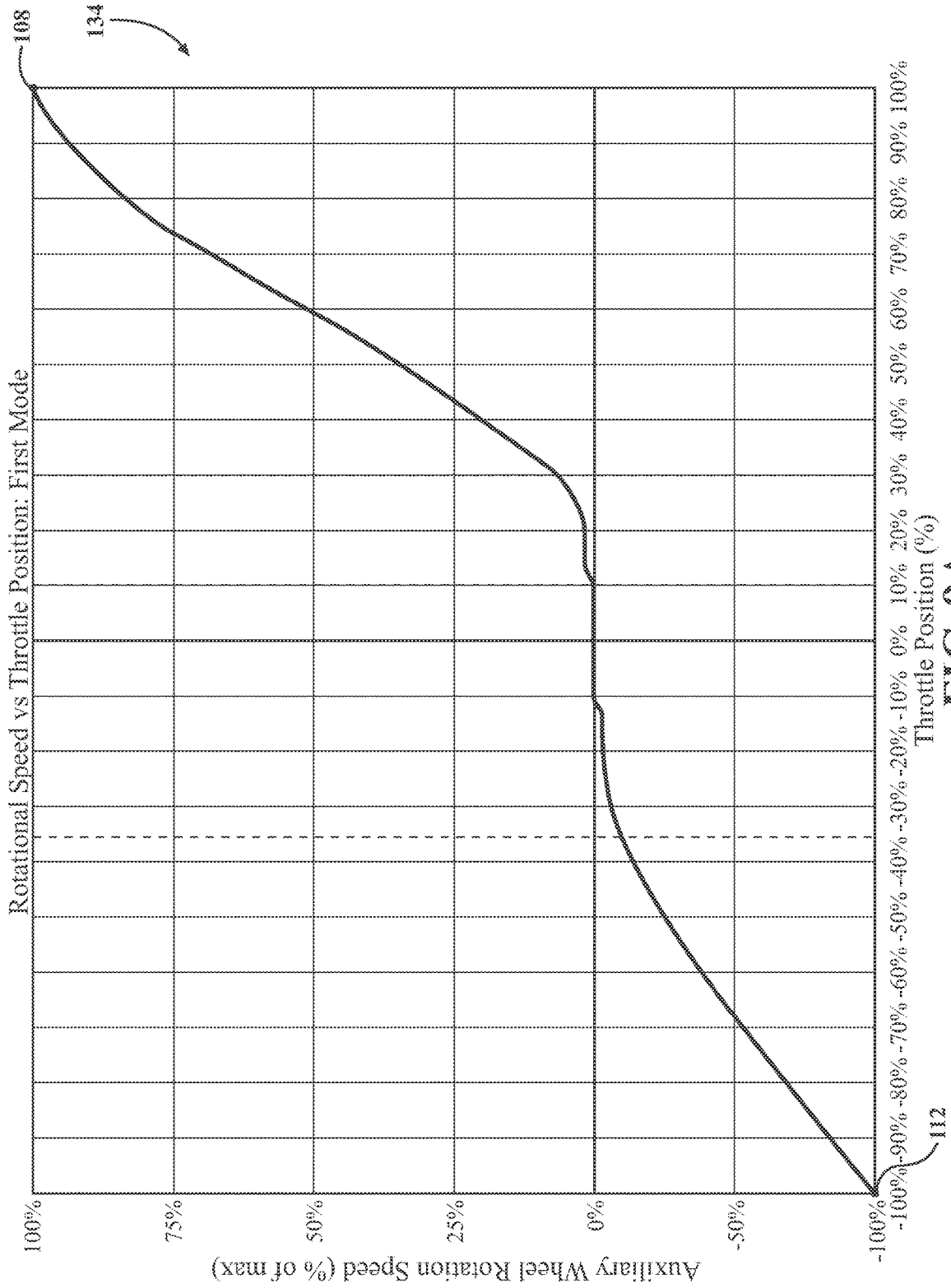


FIG. 9A

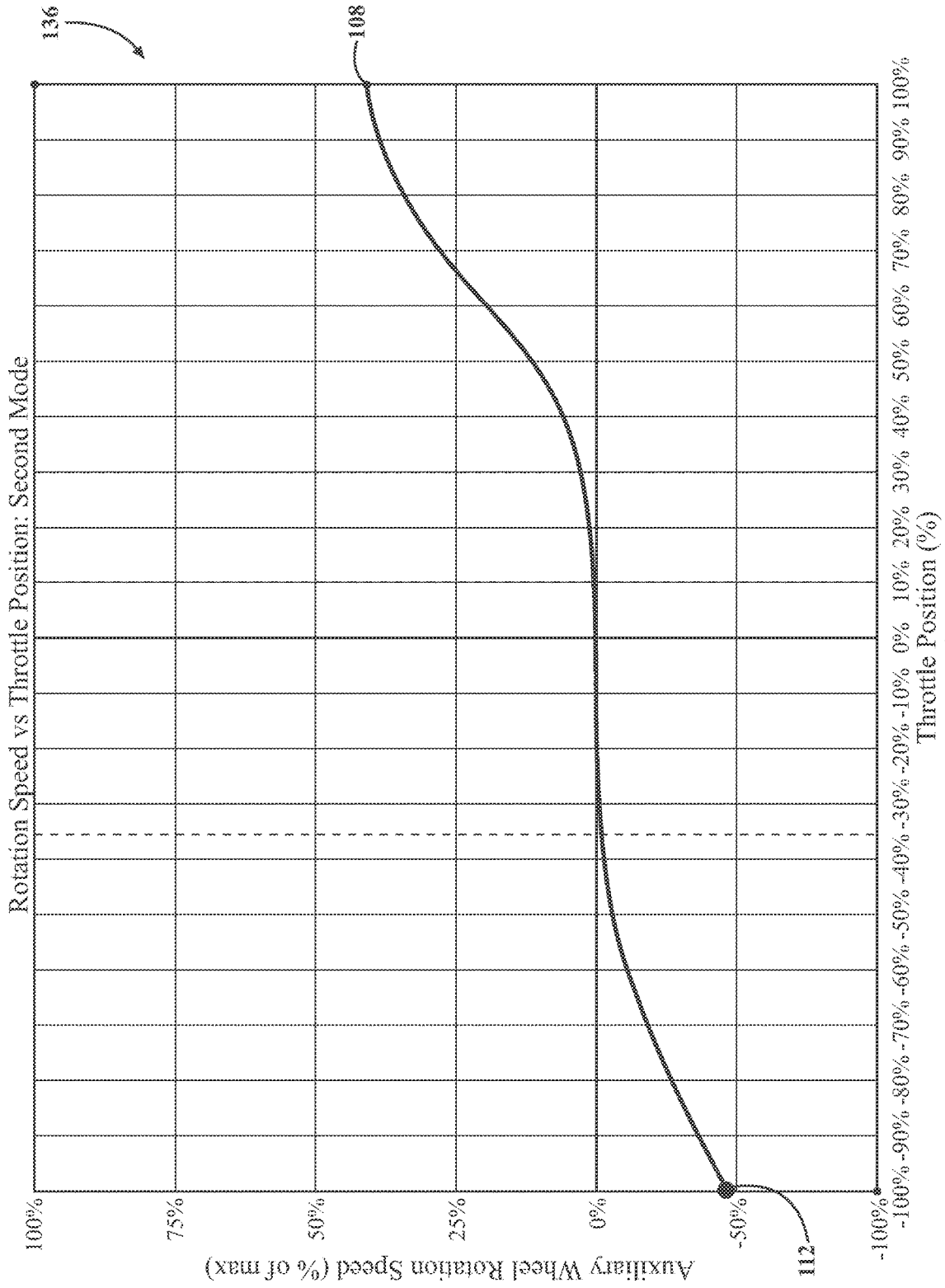


FIG. 9B

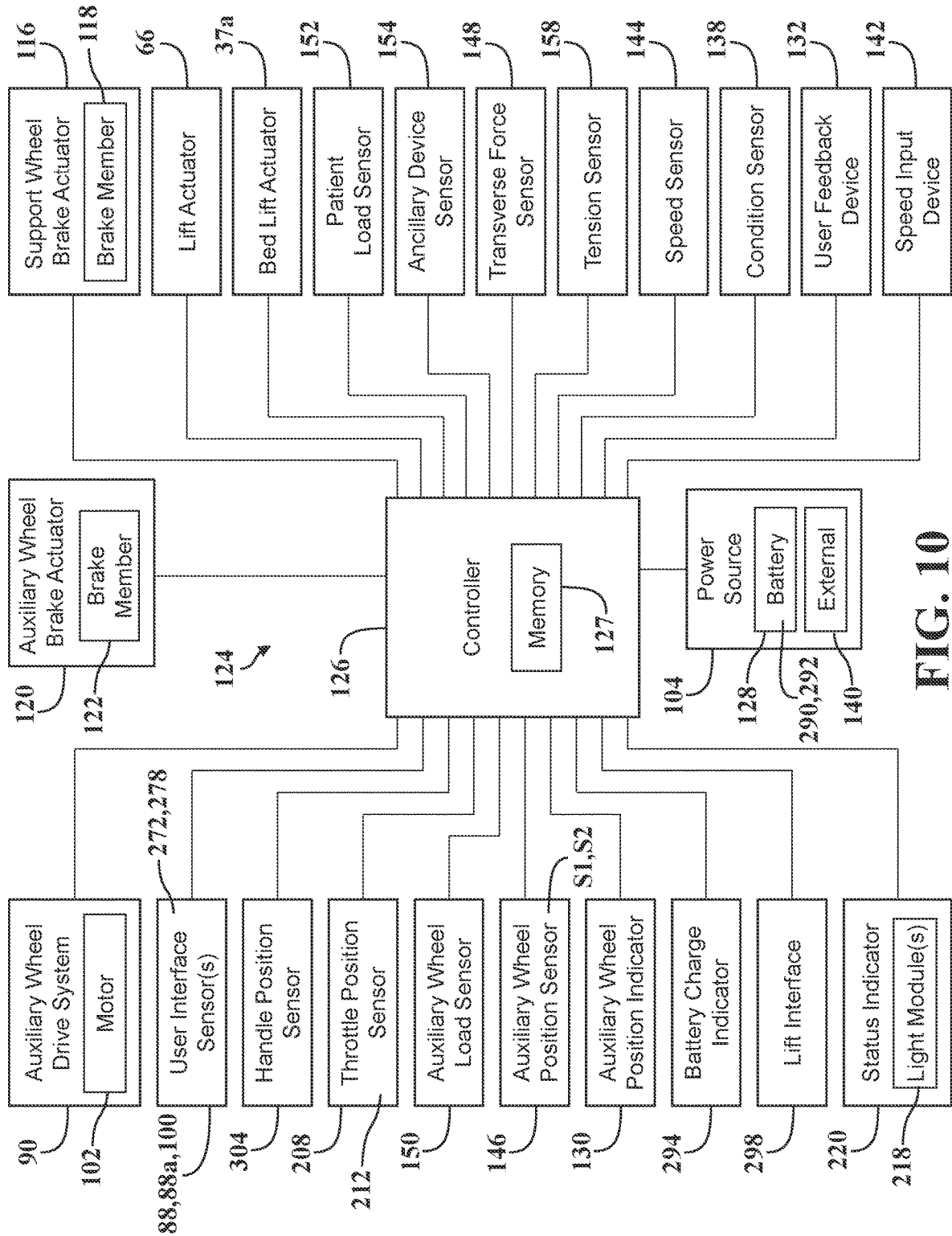


FIG. 10

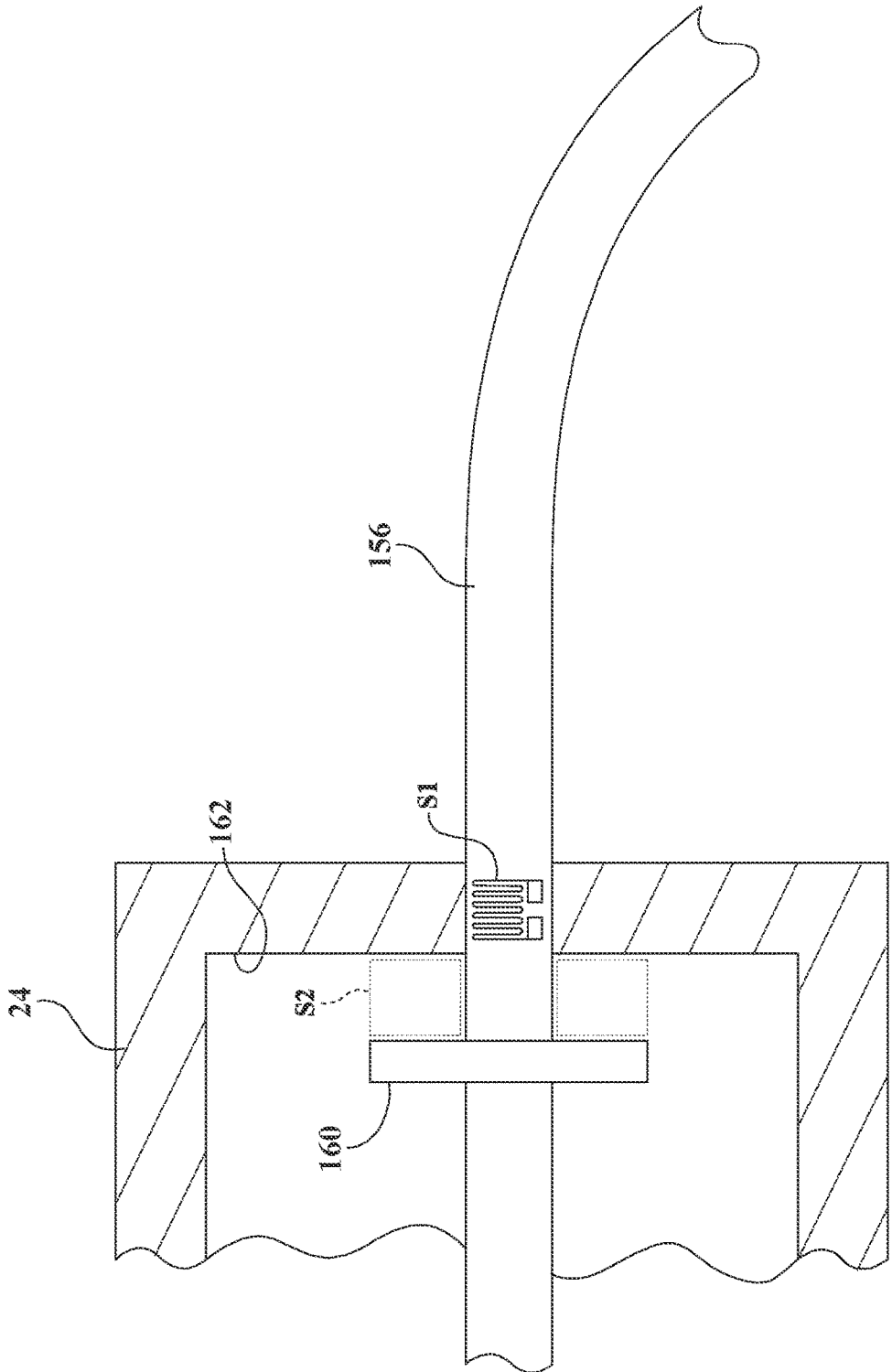


FIG. 11

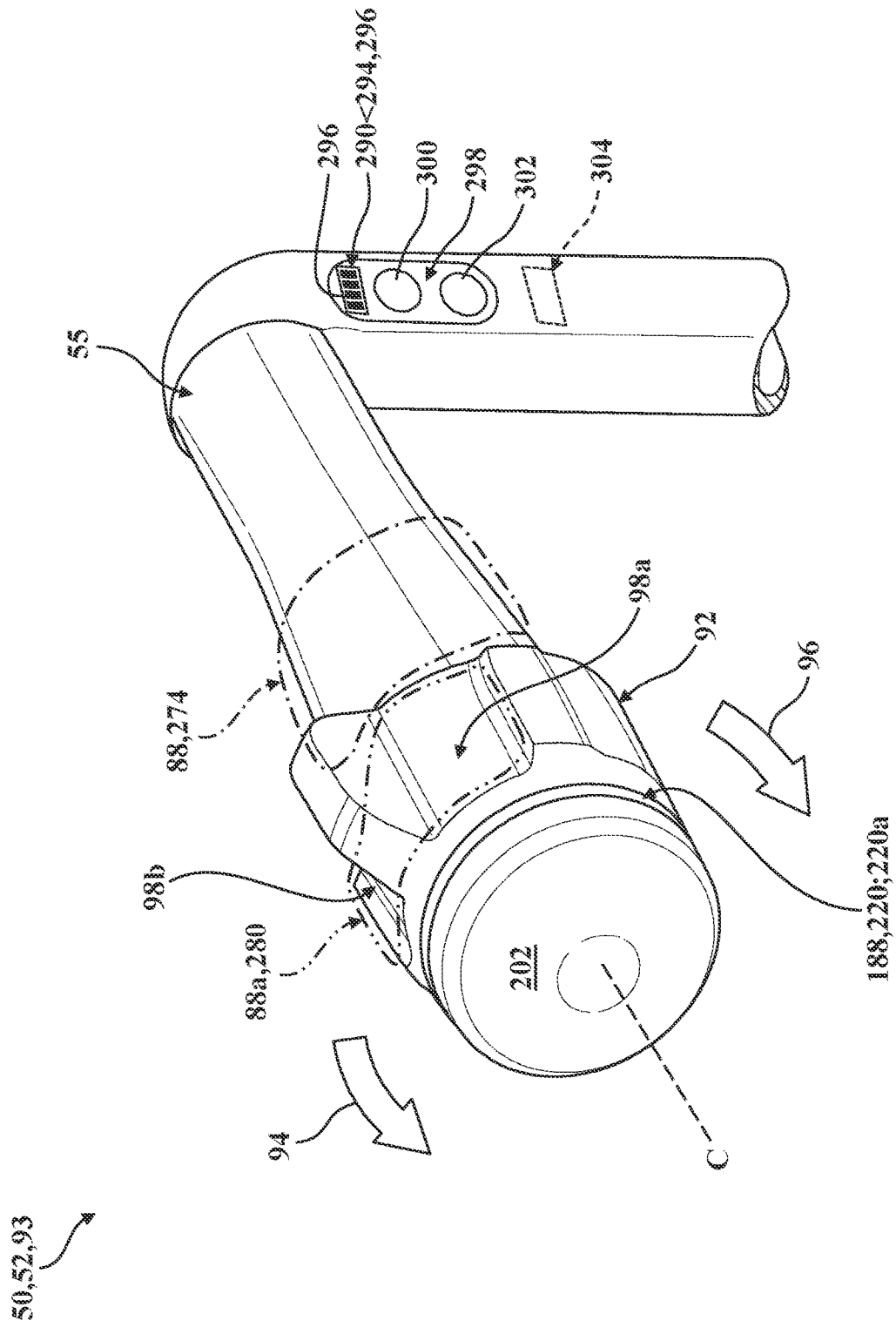


FIG. 12

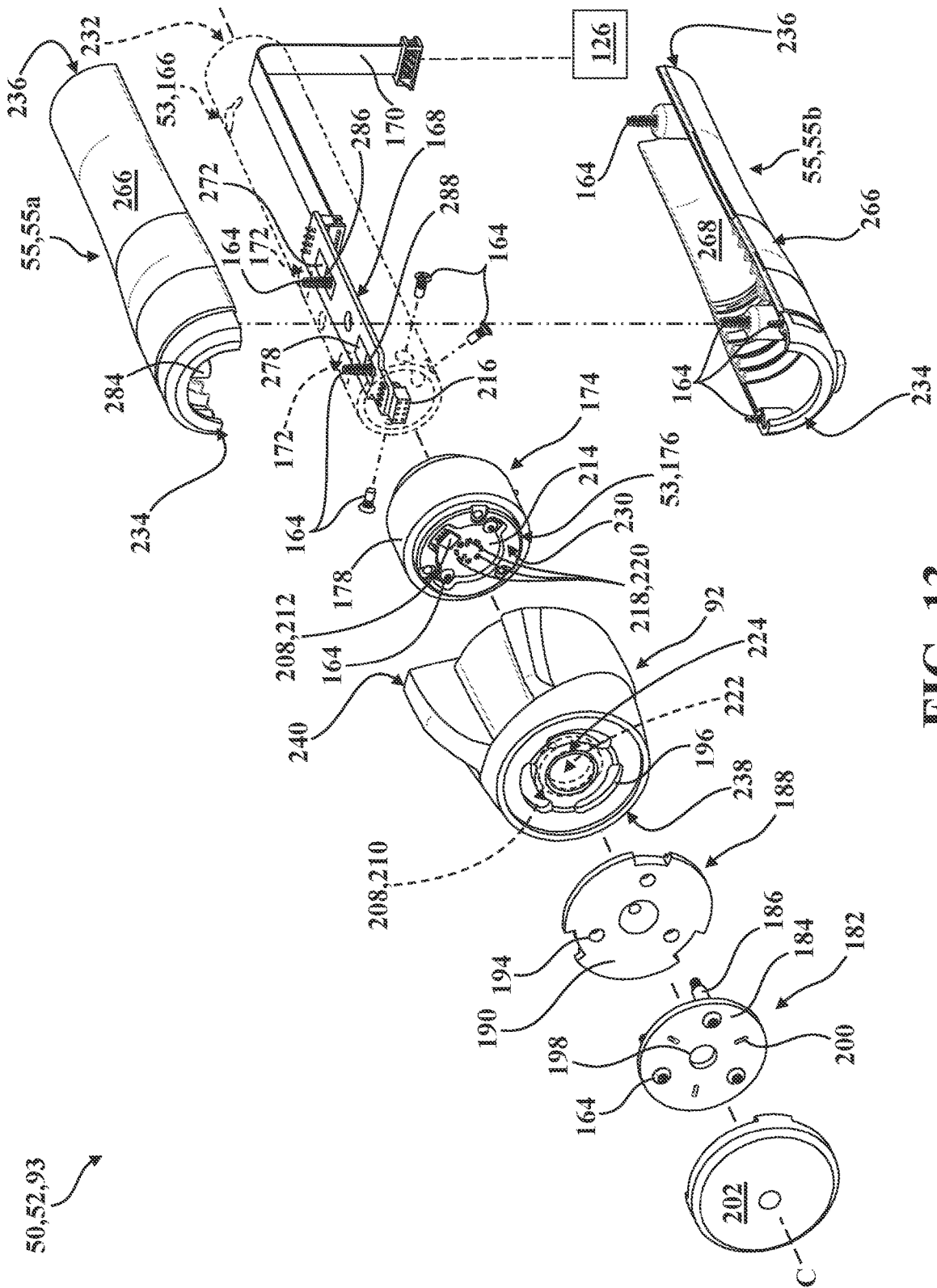


FIG. 13

50,52,93

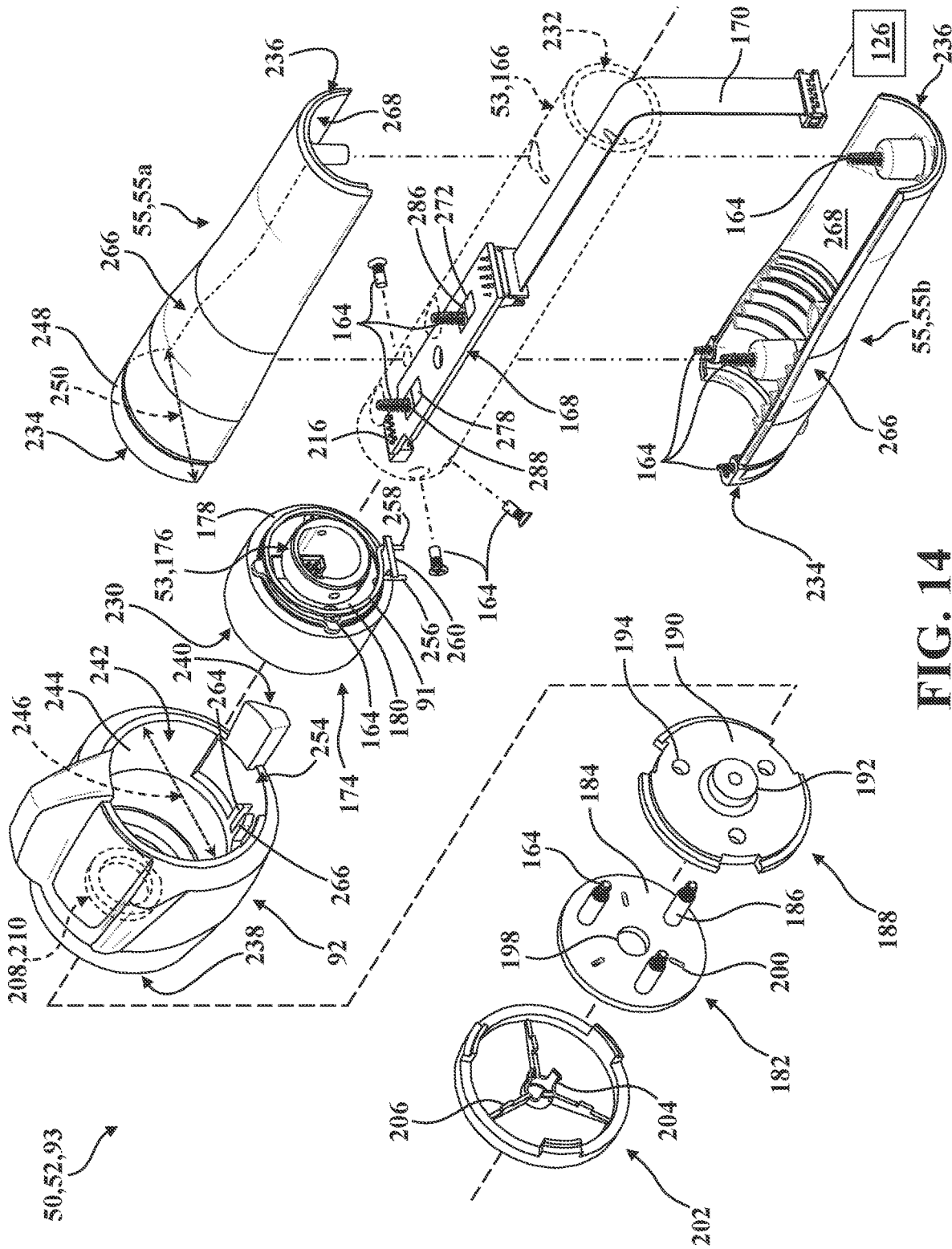


FIG. 14

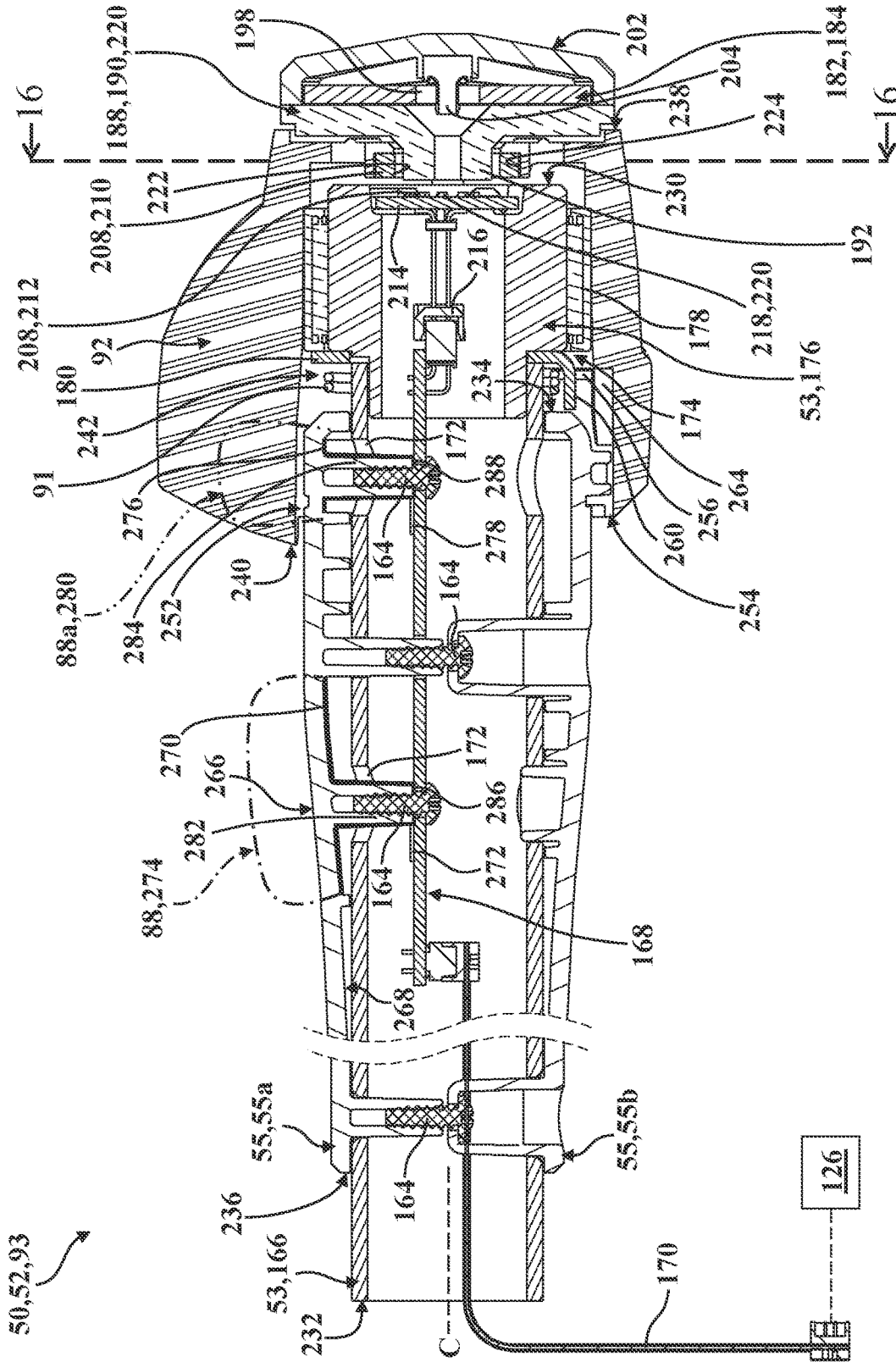


FIG. 15

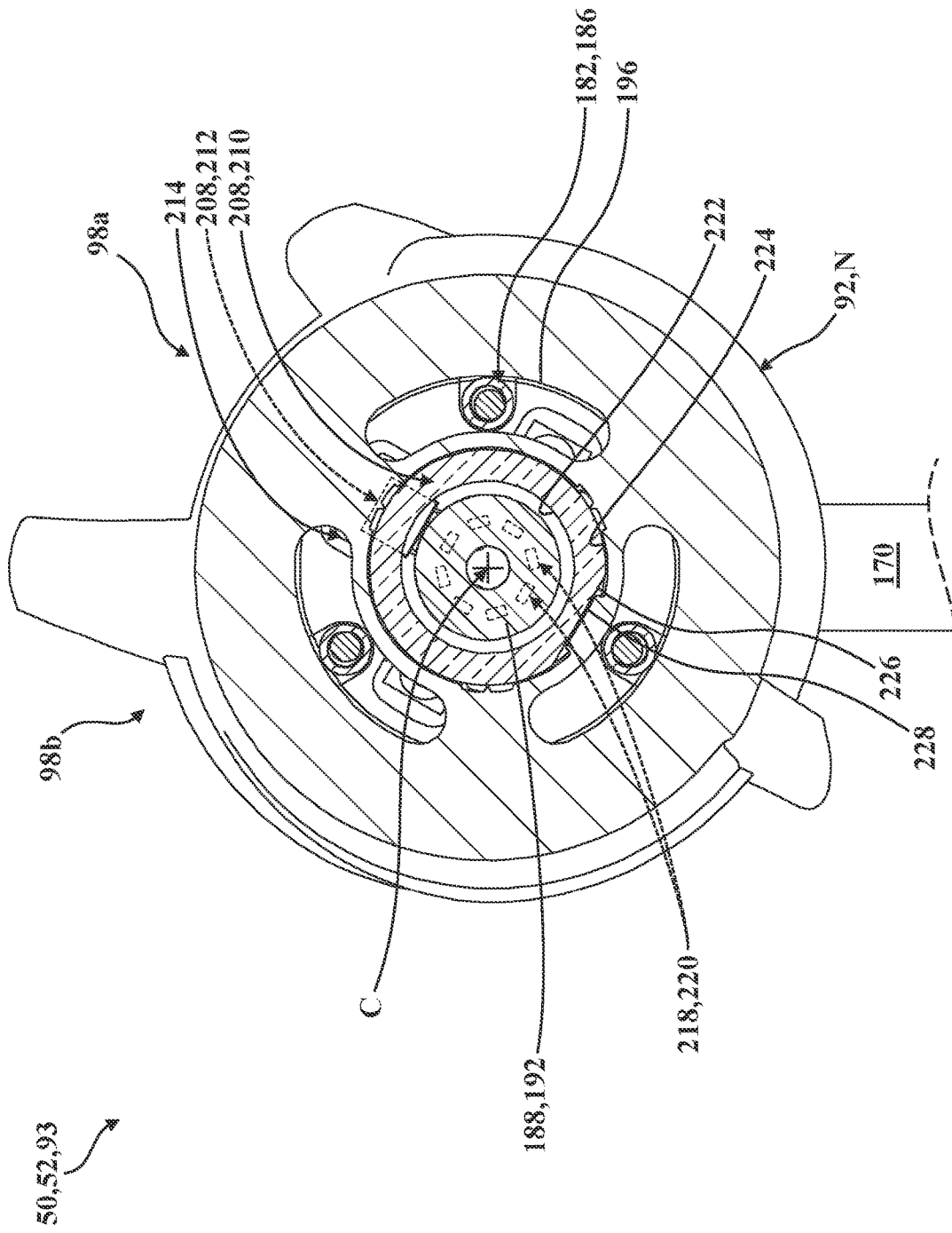


FIG. 16A

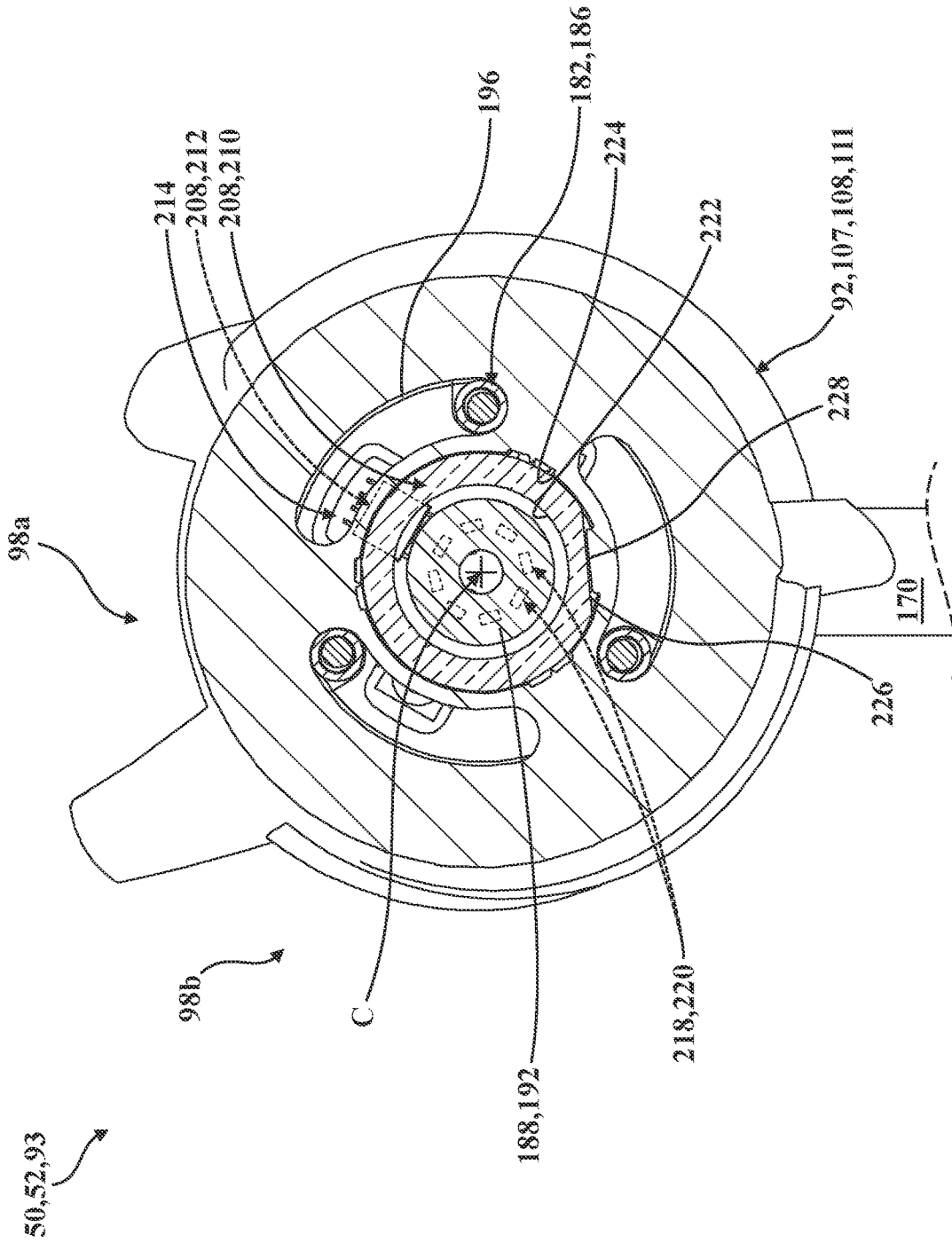


FIG. 16B

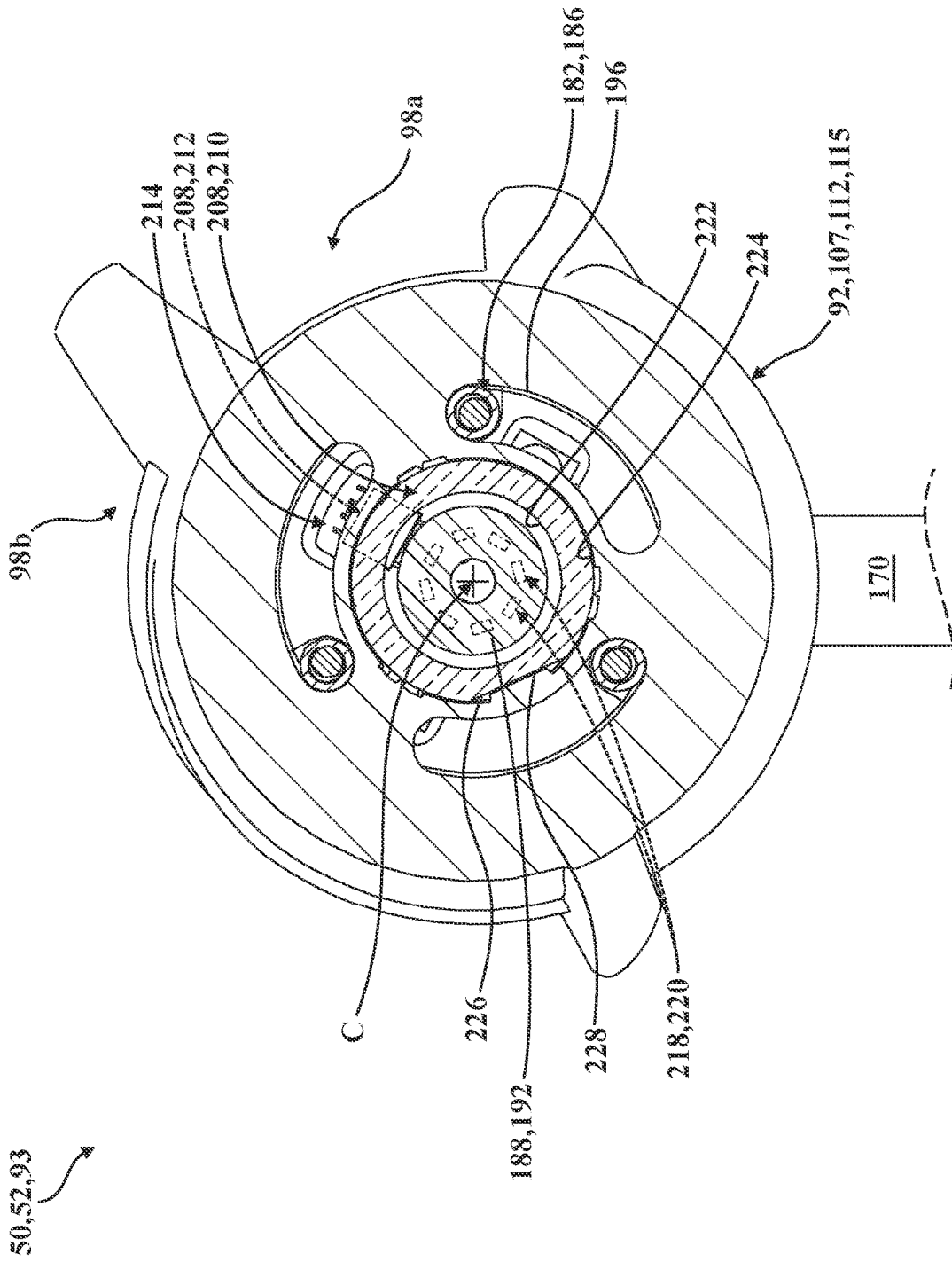


FIG. 16C

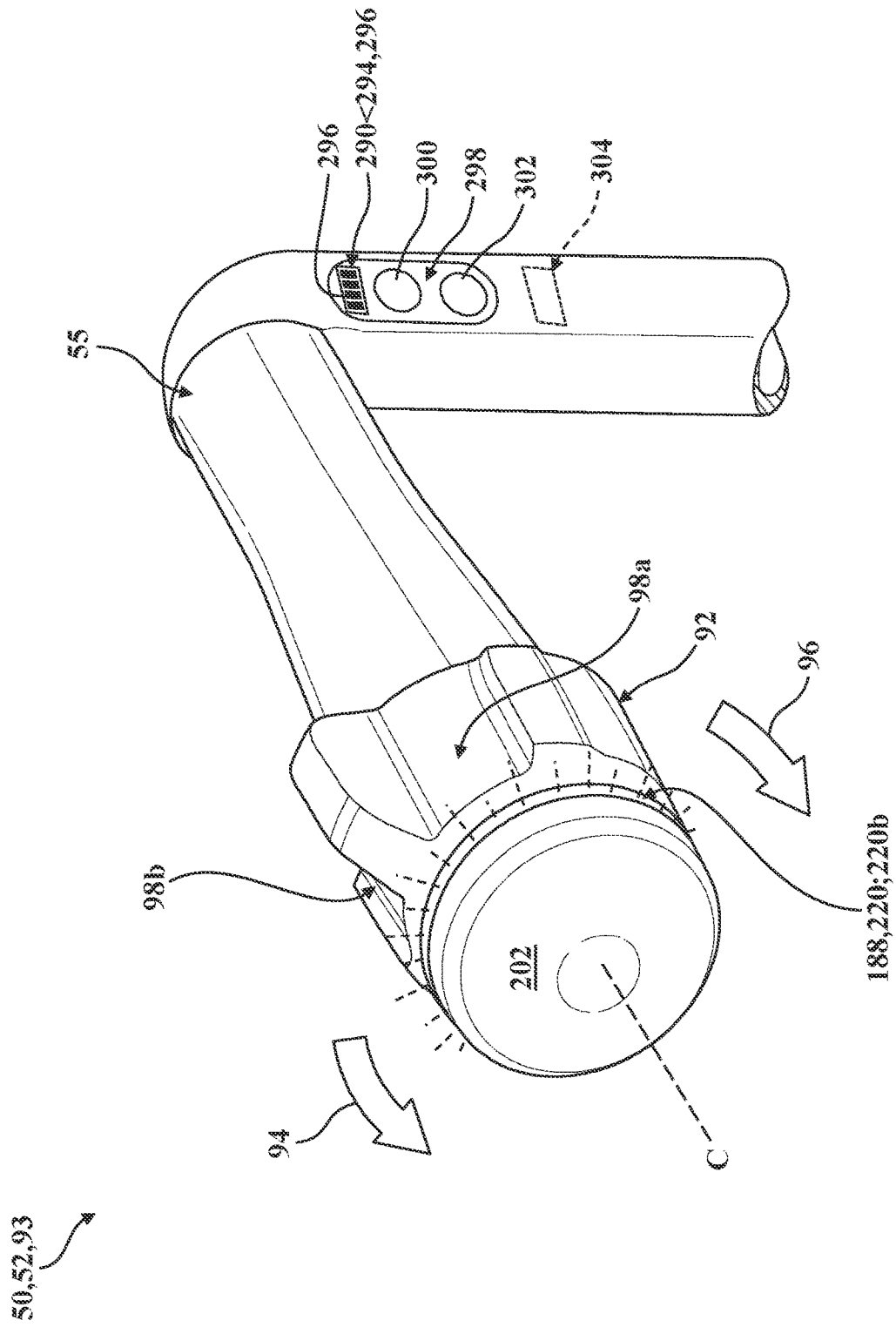


FIG. 17A

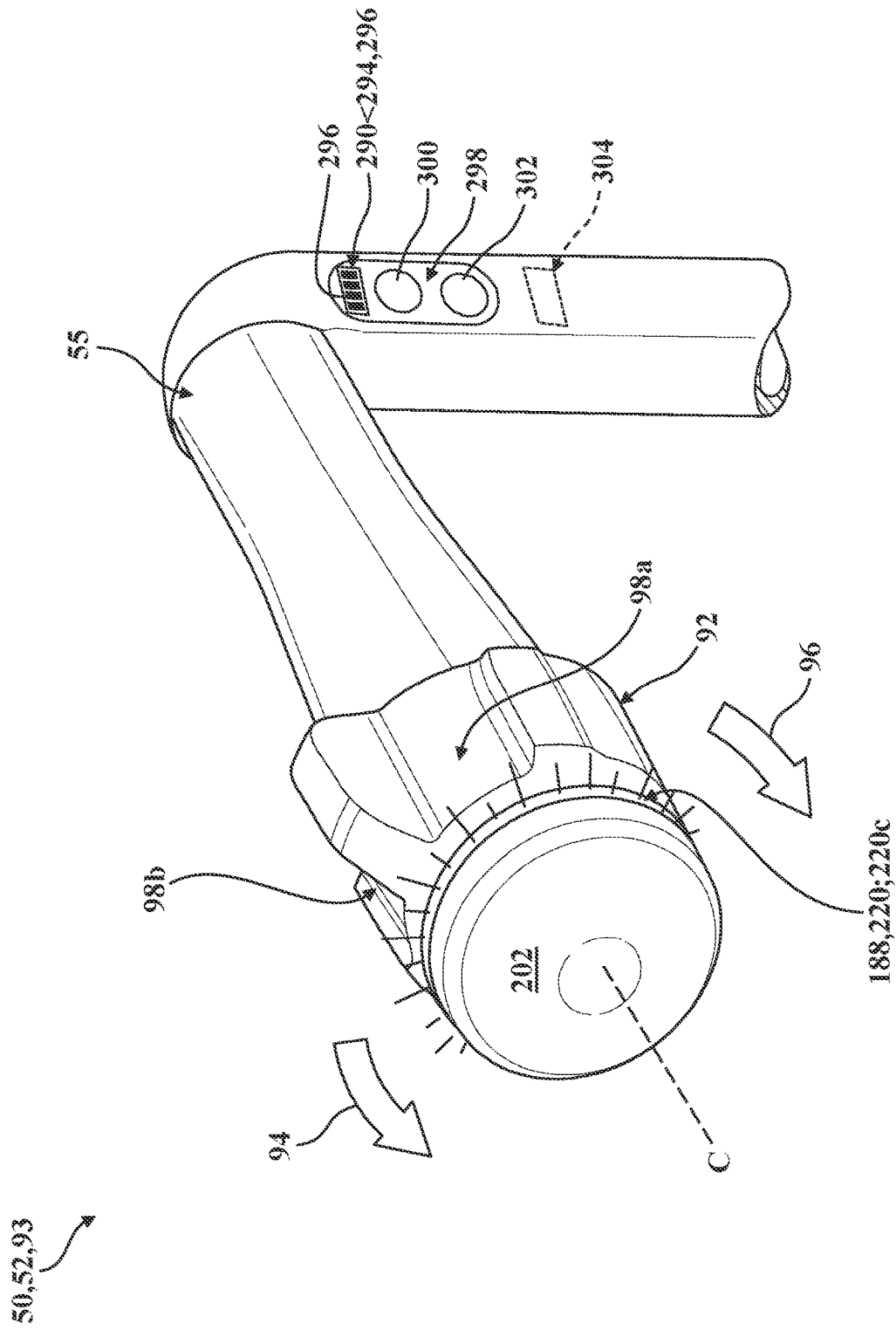


FIG. 17B

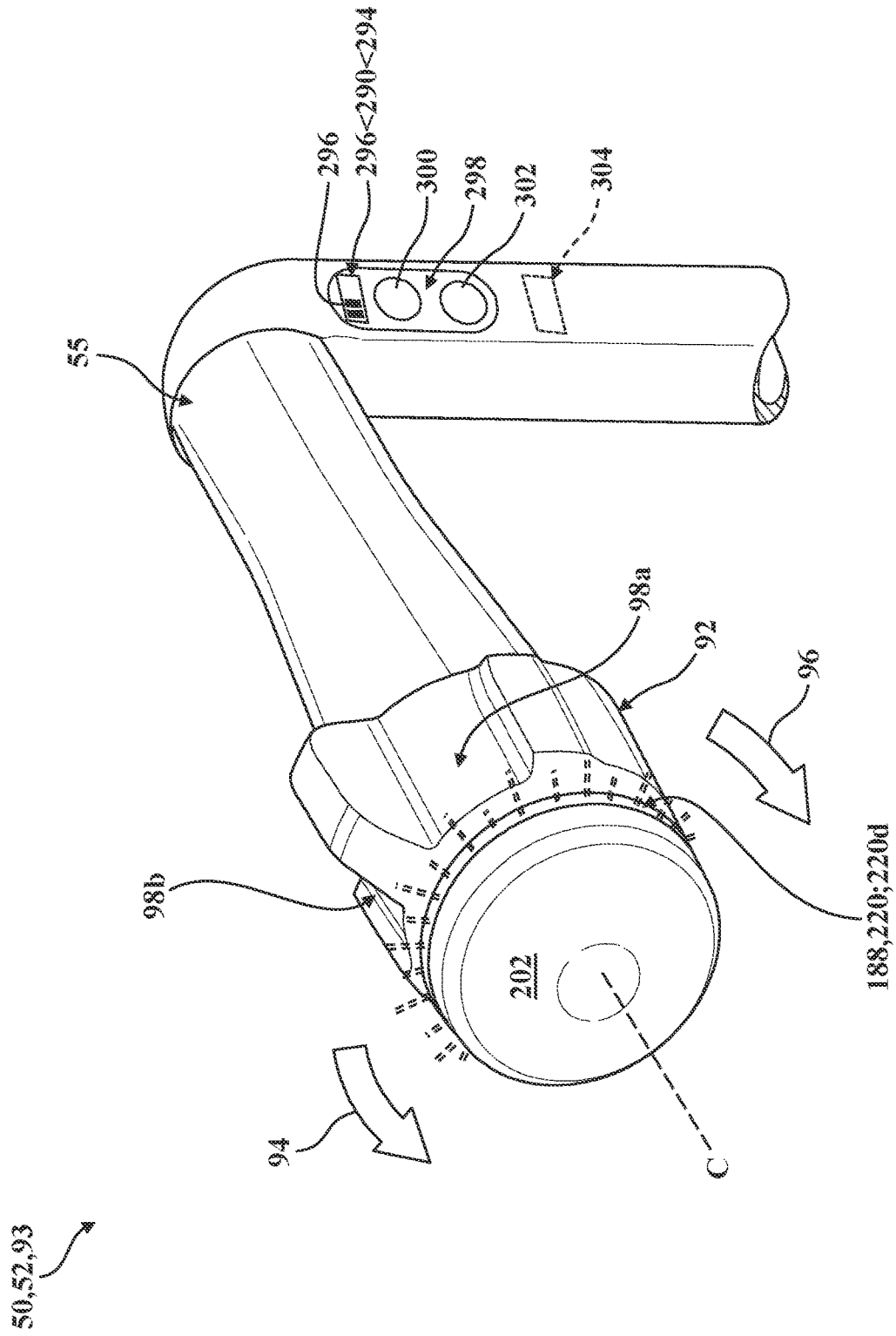


FIG. 18A

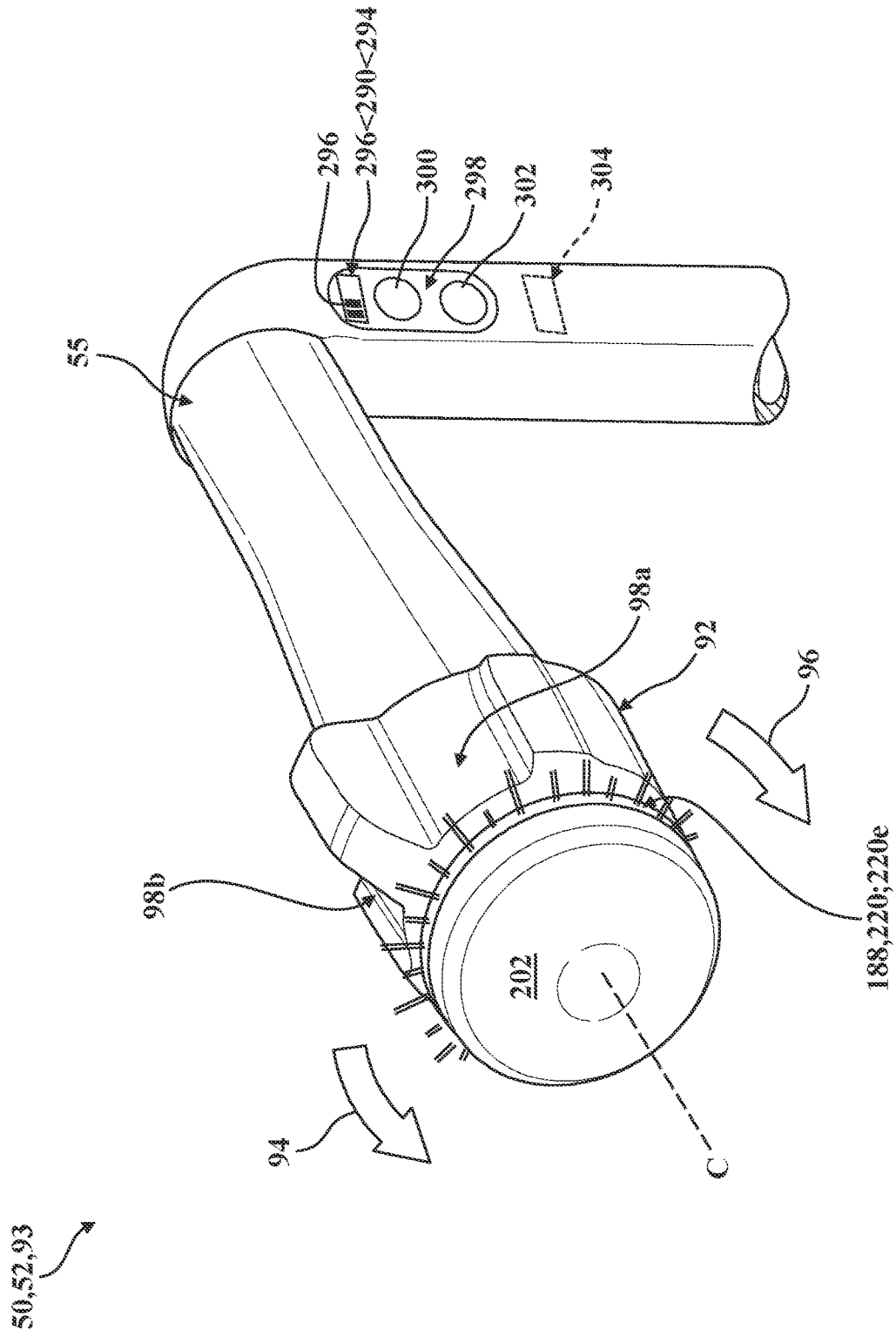


FIG. 18B

**PATIENT TRANSPORT APPARATUS WITH
CONTROLLED DRIVE MEMBER
DEPLOYMENT**

CROSS-REFERENCE TO RELATED
APPLICATIONS

The subject patent application is a Continuation of U.S. patent application Ser. No. 17/743,814 filed on May 13, 2022, which is a Continuation of U.S. patent application Ser. No. 17/021,086 filed on Sep. 15, 2020 and issued as U.S. Pat. No. 11,357,675 on Jun. 14, 2022, which is a Continuation of U.S. patent application Ser. No. 16/222,506 filed on Dec. 17, 2018 and issued as U.S. Pat. No. 10,799,403 on Oct. 13, 2020, which claims priority to and all the benefits of U.S. Provisional Patent Application No. 62/611,065 filed on Dec. 28, 2017, the disclosures of each of which are hereby incorporated by reference in their entirety.

BACKGROUND

Patient transport systems facilitate care of patients in a health care setting. Patient transport systems comprise patient transport apparatuses such as, for example, hospital beds, stretchers, cots, tables, wheelchairs, and chairs, to move patients between locations. A conventional patient transport apparatus comprises a base, a patient support surface, and several support wheels, such as four swiveling caster wheels. Often, the patient transport apparatus has one or more non-swiveling auxiliary wheels, in addition to the four caster wheels. The auxiliary wheel, by virtue of its non-swiveling nature, is employed to help control movement of the patient transport apparatus over a floor surface in certain situations.

When a caregiver wishes to use the auxiliary wheel to help control movement of the patient transport apparatus, such as down long hallways or around corners, the auxiliary wheel may be driven by a wheel drive system such that the auxiliary wheel rotates and the patient transport apparatus moves without the caregiver exerting an external force on the patient transport apparatus in a desired direction. In many cases, it's desirable for the auxiliary wheel to be driven at slower speeds in congested areas. However, the caregiver must be cautious in operating the wheel drive system to avoid collisions with objects and people.

With many conventional types of patient transport apparatuses, the caregiver generally selectively moves the auxiliary wheel from a retracted position, out of contact with the floor surface, to a deployed position in contact with the floor surface. In many cases, it is desirable for the auxiliary wheel to retract so that the caregiver may adjust a horizontal position of the patient transport apparatus without having the auxiliary wheel contact the floor surface. However, the caregiver must remember to selectively retract the auxiliary wheel before adjusting the horizontal position of the patient transport apparatus.

A patient transport apparatus designed to overcome one or more of the aforementioned challenges is desired.

BRIEF DESCRIPTION OF THE DRAWINGS

FIG. 1 is a perspective view of a patient transport apparatus according to one embodiment of the present disclosure.

FIG. 2 is a perspective view of an auxiliary wheel assembly of the patient transport apparatus coupled to a base of the patient transport apparatus.

FIG. 3 is a perspective view of the auxiliary wheel assembly comprising an auxiliary wheel and a lift actuator.

FIG. 4 is a plan view of the auxiliary wheel assembly comprising the auxiliary wheel and the lift actuator.

FIG. 5A is an elevational view of the auxiliary wheel in a retracted position.

FIG. 5B is an elevational view of the auxiliary wheel in an intermediate position.

FIG. 5C is an elevational view of the auxiliary wheel in a deployed position.

FIG. 6A is a perspective view of a handle and a throttle assembly of the patient transport apparatus.

FIG. 6B is another perspective view of the handle and the throttle assembly of the patient transport apparatus.

FIG. 7 is a plan view of the handle and the throttle assembly of the patient transport apparatus.

FIG. 8A is an elevational view of a first position of a throttle of the throttle assembly relative to the handle.

FIG. 8B is an elevational view of a second position of the throttle relative to the handle.

FIG. 8C is an elevational view of a third position of the throttle relative to the handle.

FIG. 8D is another elevational view of the first position of the throttle relative to the handle.

FIG. 8E is an elevational view of a fourth position of the throttle relative to the handle.

FIG. 8F is an elevational view of a fifth position of the throttle relative to the handle.

FIG. 9A is a graph of a first speed mode.

FIG. 9B is a graph of a second speed mode.

FIG. 10 is a schematic view of a control system of the patient support apparatus.

FIG. 11 is an elevational view of an electrical cable coupled to the base of the patient transport apparatus.

FIG. 12 is a partial perspective view of another embodiment of the handle and the throttle assembly of the patient transport apparatus, shown comprising a status indicator operating in a first output state.

FIG. 13 is a partially-exploded perspective view of portions of the handle and the throttle assembly of FIG. 12.

FIG. 14 is another partially-exploded perspective view of the portions of the handle and the throttle assembly of FIG. 12.

FIG. 15 is a broken, longitudinal sectional view of the portions of the handle and the throttle assembly of FIGS. 12-14.

FIG. 16A is a transverse sectional view of the throttle assembly and the handle taken as indicated by line 16-16 in FIG. 15, depicting the throttle in the first position relative to the handle.

FIG. 16B is another transverse sectional view of the throttle assembly and the handle taken as indicated by line 16-16 in FIG. 15, depicting the throttle in the third position relative to the handle.

FIG. 16C is another transverse sectional view of the throttle assembly and the handle taken as indicated by line 16-16 in FIG. 15, depicting the throttle in the fifth position relative to the handle.

FIG. 17A is another partial perspective view of the handle and the throttle assembly of the patient transport apparatus of FIG. 12, shown with the status indicator operating in a second output state.

FIG. 17B is another partial perspective view of the handle and the throttle assembly of the patient transport apparatus of FIG. 12, shown with the status indicator operating in a third output state.

3

FIG. 18A is another partial perspective view of the handle and the throttle assembly of the patient transport apparatus of FIG. 12, shown with the status indicator operating in an auxiliary second output state.

FIG. 18B is another partial perspective view of the handle and the throttle assembly of the patient transport apparatus of FIG. 12, shown with the status indicator operating in an auxiliary third output state.

DETAILED DESCRIPTION OF THE EMBODIMENTS

Referring to FIG. 1, a patient transport system comprising a patient transport apparatus 20 is shown for supporting a patient in a health care setting. The patient transport apparatus 20 illustrated in FIG. 1 comprises a hospital bed. In other embodiments, however, the patient transport apparatus 20 may comprise a stretcher, a cot, a table, a wheelchair, and a chair, or similar apparatus, utilized in the care of a patient to transport the patient between locations.

A support structure 22 provides support for the patient. The support structure 22 illustrated in FIG. 1 comprises a base 24 and an intermediate frame 26. The base 24 defines a longitudinal axis 28 from a head end to a foot end. The intermediate frame 26 is spaced above the base 24. The support structure 22 also comprises a patient support deck 30 disposed on the intermediate frame 26. The patient support deck 30 comprises several sections, some of which articulate (e.g., pivot) relative to the intermediate frame 26, such as a fowler section, a seat section, a thigh section, and a foot section. The patient support deck 30 provides a patient support surface 32 upon which the patient is supported.

In certain embodiments, such as is depicted in FIG. 1, the patient transport apparatus 20 further comprises a lift assembly, generally indicated at 37, which operates to lift and lower the support frame 36 relative to the base 24. The lift assembly 37 is configured to move the support frame 36 between a plurality of vertical configurations relative to the base 24 (e.g., between a minimum height and a maximum height, or to any desired position in between). To this end, the lift assembly 37 comprises one or more bed lift actuators 37a which are arranged to facilitate movement of the support frame 36 with respect to the base 24. The bed lift actuators 37a may be realized as linear actuators, rotary actuators, or other types of actuators, and may be electrically operated, hydraulic, electro-hydraulic, or the like. It is contemplated that, in some embodiments, separate lift actuators could be disposed to facilitate independently lifting the head and foot ends of the support frame 36 and, in other embodiments, only one lift actuator may be employed, (e.g., to raise only one end of the support frame 36). The construction of the lift assembly 37 and/or the bed lift actuators 37a may take on any known or conventional design, and is not limited to that specifically illustrated. One exemplary lift assembly that can be utilized on the patient transport apparatus 20 is described in U.S. Patent Application Publication No. 2016/0302985, entitled "Patient Support Lift Assembly", which is hereby incorporated herein by reference in its entirety.

A mattress, although not shown, may be disposed on the patient support deck 30. The mattress comprises a secondary patient support surface upon which the patient is supported. The base 24, intermediate frame 26, patient support deck 30, and patient support surface 32 each have a head end and a foot end corresponding to designated placement of the patient's head and feet on the patient transport apparatus 20. The construction of the support structure 22 may take on any

4

known or conventional design, and is not limited to that specifically set forth above. In addition, the mattress may be omitted in certain embodiments, such that the patient rests directly on the patient support surface 32.

Side rails 38, 40, 42, 44 are supported by the base 24. A first side rail 38 is positioned at a right head end of the intermediate frame 26. A second side rail 40 is positioned at a right foot end of the intermediate frame 26. A third side rail 42 is positioned at a left head end of the intermediate frame 26. A fourth side rail 44 is positioned at a left foot end of the intermediate frame 26. If the patient transport apparatus 20 is a stretcher, there may be fewer side rails. The side rails 38, 40, 42, 44 are movable between a raised position in which they block ingress and egress into and out of the patient transport apparatus 20 and a lowered position in which they are not an obstacle to such ingress and egress. The side rails 38, 40, 42, 44 may also be movable to one or more intermediate positions between the raised position and the lowered position. In still other configurations, the patient transport apparatus 20 may not comprise any side rails.

A headboard 46 and a footboard 48 are coupled to the intermediate frame 26. In other embodiments, when the headboard 46 and footboard 48 are provided, the headboard 46 and footboard 48 may be coupled to other locations on the patient transport apparatus 20, such as the base 24. In still other embodiments, the patient transport apparatus 20 does not comprise the headboard 46 and/or the footboard 48.

User interfaces 50, such as handles, are shown integrated into the footboard 48 and side rails 38, 40, 42, 44 to facilitate movement of the patient transport apparatus 20 over floor surfaces. Additional user interfaces 50 may be integrated into the headboard 46 and/or other components of the patient transport apparatus 20. The user interfaces 50 are graspable by the user to manipulate the patient transport apparatus 20 for movement.

Other forms of the user interface 50 are also contemplated. The user interface may simply be a surface on the patient transport apparatus 20 upon which the user logically applies force to cause movement of the patient transport apparatus 20 in one or more directions, also referred to as a push location. This may comprise one or more surfaces on the intermediate frame 26 or base 24. This could also comprise one or more surfaces on or adjacent to the headboard 46, footboard 48, and/or side rails 38, 40, 42, 44.

In the embodiment shown in FIG. 1, one set of user interfaces 50 comprises a first handle 52 and a second handle 54. The first and second handles 52, 54 are coupled to the intermediate frame 26 proximal to the head end of the intermediate frame 26 and on opposite sides of the intermediate frame 26 so that the user may grasp the first handle 52 with one hand and the second handle 54 with the other. As is described in greater detail below in connection with FIGS. 12-18B, in some embodiments the first handle 52 comprises an inner support 53 defining a central axis C, and handle body 55 configured to be gripped by the user. In other embodiments, the first and second handles 52, 54 are coupled to the headboard 46. In still other embodiments the first and second handles 52, 54 are coupled to another location permitting the user to grasp the first and second handle 52, 54. As shown in FIG. 1, one or more of the user interfaces (e.g., the first and second handles 52, 54) may be arranged for movement relative to the intermediate frame 26, or another part of the patient transport apparatus 20, between a use position PU arranged for engagement by the user, and a stow position PS (depicted in phantom), with movement between the use position PU and the stow position PS being facilitated such as by a hinged or pivoting

connection to the intermediate frame 26 (not shown in detail). Other configurations are contemplated.

Support wheels 56 are coupled to the base 24 to support the base 24 on a floor surface such as a hospital floor. The support wheels 56 allow the patient transport apparatus 20 to move in any direction along the floor surface by swiveling to assume a trailing orientation relative to a desired direction of movement. In the embodiment shown, the support wheels 56 comprise four support wheels each arranged in corners of the base 24. The support wheels 56 shown are caster wheels able to rotate and swivel about swivel axes 58 during transport. Each of the support wheels 56 forms part of a caster assembly 60. Each caster assembly 60 is mounted to the base 24. It should be understood that various configurations of the caster assemblies 60 are contemplated. In addition, in some embodiments, the support wheels 56 are not caster wheels and may be non-steerable, steerable, non-powered, powered, or combinations thereof. Additional support wheels 56 are also contemplated.

Referring to FIG. 2, an auxiliary wheel assembly 62 is coupled to the base 24. The auxiliary wheel assembly 62 influences motion of the patient transport apparatus 20 during transportation over the floor surface. The auxiliary wheel assembly 62 comprises an auxiliary wheel 64 and a lift actuator 66 operatively coupled to the auxiliary wheel 64. The lift actuator 66 is operable to move the auxiliary wheel 64 between a deployed position 68 (see FIG. 5C) engaging the floor surface and a retracted position 70 (see FIG. 5A) spaced away from and out of contact with the floor surface. The retracted position 70 may alternatively be referred to as the “fully retracted position.” The auxiliary wheel 64 may also be positioned in one or more intermediate positions 71 (see FIG. 5B) between the deployed position 68 (see FIG. 5C) and the retracted position 70 (FIG. 5A). The intermediate position 71 may alternatively be referred to as a “partially retracted position,” or may also refer to another “retracted position” (e.g., compared to the “fully” retracted position 70 depicted in FIG. 5A). The auxiliary wheel 64 influences motion of the patient transport apparatus 20 during transportation over the floor surface when the auxiliary wheel 64 is in the deployed position 68. In some embodiments, the auxiliary wheel assembly 62 comprises an additional auxiliary wheel movable with the auxiliary wheel 64 between the deployed position 68 and the position 70 via the lift actuator 66.

By deploying the auxiliary wheel 64 on the floor surface, the patient transport apparatus 20 can be easily moved down long, straight hallways or around corners, owing to a non-swiveling nature of the auxiliary wheel 64. When the auxiliary wheel 64 is in the retracted position 70 (see FIG. 5A) or in one of the intermediate positions 71, the patient transport apparatus 20 is subject to moving in an undesired direction due to uncontrollable swiveling of the support wheels 56. For instance, during movement down long, straight hallways, the patient transport apparatus 20 may be susceptible to “dog tracking,” which refers to undesirable sideways movement of the patient transport apparatus 20. Additionally, when cornering, without the auxiliary wheel 64 deployed, and with all of the support wheels 56 able to swivel, there is no wheel assisting with steering through the corner, unless one or more of the support wheels 56 are provided with steer lock capability and the steer lock is activated.

The auxiliary wheel 64 may be arranged parallel to the longitudinal axis 28 of the base 24. Said differently, the auxiliary wheel 64 rotates about a rotational axis R (see FIG. 3) oriented perpendicularly to the longitudinal axis 28 of the

base 24 (albeit offset in some cases from the longitudinal axis 28). In the embodiment shown, the auxiliary wheel 64 is incapable of swiveling about a swivel axis. In other embodiments, the auxiliary wheel 64 may be capable of swiveling, but can be locked in a steer lock position in which the auxiliary wheel 64 is locked to solely rotate about the rotational axis R oriented perpendicularly to the longitudinal axis 28. In still other embodiments, the auxiliary wheel 64 may be able to freely swivel without any steer lock functionality.

The auxiliary wheel 64 may be located to be deployed inside a perimeter of the base 24 and/or within a support wheel perimeter defined by the swivel axes 58 of the support wheels 56. In some embodiments, such as those employing a single auxiliary wheel 64, the auxiliary wheel 64 may be located near a center of the support wheel perimeter, or offset from the center. In this case, the auxiliary wheel 64 may also be referred to as a fifth wheel. In other embodiments, the auxiliary wheel 64 may be disposed along the support wheel perimeter or outside of the support wheel perimeter. In the embodiment shown, the auxiliary wheel 64 has a diameter larger than a diameter of the support wheels 56. In other embodiments, the auxiliary wheel 64 may have the same or a smaller diameter than the support wheels 56.

In one embodiment shown in FIGS. 2-4, the base 24 comprises a first cross-member 72a and a second cross-member 72b. The auxiliary wheel assembly 62 is disposed between and coupled to the cross-members 72a, 72b. The auxiliary wheel assembly 62 comprises a first auxiliary wheel frame 74a coupled to and arranged to articulate (e.g. pivot) relative to the first cross-member 72a. The auxiliary wheel assembly 62 further comprises a second auxiliary wheel frame 74b pivotably coupled to the first auxiliary wheel frame 74a and the second cross-member 72b. The second auxiliary wheel frame 74b is arranged to articulate and translate relative to the second cross-member 72b. The second cross-member 72b defines a slot 78 for receiving a pin 80 (see FIGS. 5A and 5C) connected to the second auxiliary wheel frame 74b to permit the second auxiliary wheel frame 74b to translate and pivot relative to the second cross-member 72b.

In the embodiment shown in FIGS. 3 and 4, the auxiliary wheel assembly 62 comprises an auxiliary wheel drive system 90 (described in more detail below) operatively coupled to the auxiliary wheel 64. The auxiliary wheel drive system 90 is configured to drive (e.g. rotate) the auxiliary wheel 64. In the embodiment shown, the auxiliary wheel drive system 90 comprises a motor 102 coupled to a power source 104 (shown schematically in FIG. 10) and the second auxiliary wheel frame 74b. The auxiliary wheel drive system 90 further comprises a gear train 106 coupled to the motor 102 and an axle 76 of the auxiliary wheel 64. In the embodiment shown, the auxiliary wheel 64, the gear train 106, and the motor 102 are arranged and supported by the second auxiliary wheel frame 74b to articulate and translate with the second auxiliary wheel frame 74b relative to the second cross-member 72b. In other embodiments, the axle 76 of the auxiliary wheel 64 is coupled directly to the second auxiliary wheel frame 74b and the auxiliary wheel drive system 90 drives the auxiliary wheel 64 in another manner. Electrical power is provided from the power source 104 to energize the motor 102. The motor 102 converts electrical power from the power source 104 to torque supplied to the gear train 106. The gear train 106 transfers torque to the auxiliary wheel 64 to rotate the auxiliary wheel 64.

In the embodiment shown, the lift actuator 66 is a linear actuator comprising a housing 66a and a drive rod 66b

extending from the housing 66a. The drive rod 66b has a proximal end received in the housing 66a and a distal end spaced from the housing 66a. The distal end of the drive rod 66b is configured to be movable relative to the housing 66a to extend and retract an overall length of the lift actuator 66. The housing 66a is pivotally coupled to the second cross-member 72b and the distal end of the drive rod 66b is coupled to the first auxiliary wheel frame 74a. More specifically, the first auxiliary wheel frame 74a defines a slot 82 to receive a pin 84 connected to the distal end of the drive rod 66b to permit the drive rod 66b to translate and pivot relative to the first auxiliary wheel frame 74a.

In the embodiment shown, the auxiliary wheel assembly 62 comprises a biasing device such as a torsion spring 86 to apply a biasing force to bias the first and second auxiliary wheel frames 74a, 74b toward the floor surface and thus move the auxiliary wheel 64 toward the deployed position 68 (see FIG. 5C). The pin 84 at the distal end of the drive rod 66b abuts a first end of the slot 82 to limit the distance the torsion spring 86 would otherwise rotate the first auxiliary wheel frame 74a toward the floor surface. Thus, even though the torsion spring 86 applies the force that ultimately causes the auxiliary wheel 64 to move to the floor surface in the deployed position 68, the lift actuator 66 is operable to move the auxiliary wheel 64 to the deployed position 68 and the retracted position 70 or any other position, such as one or more intermediate positions 71 between the deployed position 68 and the retracted position 70.

In the embodiment shown, in the deployed position 68 of FIG. 5C, the lift actuator 66 is controlled so that the pin 84 is located centrally in the slot 82 to permit the auxiliary wheel 64 to move away from the floor surface when encountering an obstacle and to dip lower when encountering a low spot in the floor surface. For instance, when the auxiliary wheel 64 encounters an obstacle, the auxiliary wheel 64 moves up to avoid the obstacle and the pin 84 moves toward a second end of the slot 82 against the biasing force from the torsion spring 86 without changing the overall length of the lift actuator 66. Conversely, when the auxiliary wheel 64 encounters a low spot in the floor surface, the auxiliary wheel 64 is able to travel lower to maintain traction with the floor surface and the pin 84 moves toward the first end of the slot 82 via the biasing force from the torsion spring 86 without changing the overall length of the lift actuator 66.

Referring to FIG. 4, the first and second auxiliary wheel frames 74a, 74b each comprise first arms pivotally coupled to each other on one side of the auxiliary wheel 64 (as shown in FIG. 3) and second arms pivotally coupled to each other on the other side of the auxiliary wheel 64. The first and second arms are pivotally connected by pivot pins. The first and second arms of the first auxiliary wheel frame 74a are rigidly connected to each other such that the first and second arms of the first auxiliary wheel frame 74a articulate together relative to the first cross-member 72a. The first and second arms of the second auxiliary wheel frame 74b are rigidly connected to each other such that the first and second arms of the second auxiliary wheel frame 74b articulate and translate together relative to the second cross-member 72b. The second cross-member 72b defines another slot 78 for receiving another pin 80 connected to the second auxiliary wheel frame 74b (one for each arm). The respective first and second arms of the first and second auxiliary wheel frames 74a, 74b cooperate to balance the force applied by the auxiliary wheel 64 against the floor surface.

Referring to FIG. 5A, the auxiliary wheel 64 is in the retracted position 70 spaced from the floor surface. FIG. 5A illustrates one embodiment of the auxiliary wheel 64 being

in a “fully retracted” position 70, and FIG. 5B illustrates one embodiment of the auxiliary wheel 64 being in one of the intermediate positions 71 (which may also be referred to as a “partially-retracted” position or a “partially deployed” position). In the retracted position 70, the lift actuator 66 applies a force against the biasing force of the torsion spring 86 to retain a spaced relationship of the auxiliary wheel 64 with the floor surface. To move the auxiliary wheel 64 to the deployed position 68 (see FIG. 5C), the distal end of the drive rod 66b is configured to retract into the housing 66a, which permits the biasing force of the torsion spring 86 to rotate the first auxiliary wheel frame 74a, the second auxiliary wheel frame 74b, and the auxiliary wheel 64 toward the floor surface. The second auxiliary wheel frame 74b is configured to rotate relative to the first auxiliary wheel frame 74a by virtue of the second auxiliary wheel frame 74b being pivotally coupled to the first auxiliary wheel frame 74a (via a pinned connection therebetween) and pivotally and slidably coupled to the second cross-member 72b. In other words, the slot 78 of the second cross-member 72b permits the pin 80, and thus the second auxiliary wheel frame 74b to move toward the first cross-member 72a. To return the auxiliary wheel 64 to the retracted position 70, the lift actuator 66 is configured to apply a force greater than the biasing force of the torsion spring 86 to move the auxiliary wheel 64 away from the floor surface. While a single intermediate position 71 is illustrated in FIG. 5B, one skilled in the art would recognize that there are more than one intermediate positions 71 possible between the deployed position 68 and the retracted position 70.

Referring to FIG. 5C, the auxiliary wheel 64 is in the deployed position 68 engaging the floor surface. In this embodiment, the overall length of the lift actuator 66 is shorter when the auxiliary wheel 64 is in the deployed position 68 than when the auxiliary wheel 64 is in the retracted position 70.

Although an exemplary embodiment of an auxiliary wheel assembly 62 is described above and shown in the drawings, it should be appreciated that other configurations employing a lift actuator 66 to move the auxiliary wheel 64 between the retracted position 70 and deployed position 68 are contemplated.

In some embodiments, the lift actuator 66 is configured to cease application of force against the biasing force of the torsion spring 86 instantly to permit the torsion spring 86 to move the auxiliary wheel 64 to the deployed position 68 expeditiously. In one embodiment, the auxiliary wheel 64 moves from the retracted position 70 to the deployed position 68 in less than three seconds. In another embodiment, the auxiliary wheel 64 moves from the retracted position 70 to the deployed position 68 in less than two seconds. In still other embodiments, the auxiliary wheel 64 moves from the retracted position 70 to the deployed position 68 in less than one second.

In some embodiments, such as those shown in FIGS. 6A-7, one or more user interface sensors 88 are coupled to the first handle 52 to determine engagement by the user and generate a signal responsive to touch (e.g. hand placement/contact) of the user. The one or more user interface sensors 88 are operatively coupled to the lift actuator 66 to control movement of the auxiliary wheel 64 between the deployed position 68 and the retracted position 70. Operation of the lift actuator 66 in response to the user interface sensor 88 is described in more detail below. In other embodiments, the user interface sensor 88 is coupled to another portion of the patient transport apparatus 20, such as another user interface 50.

In some embodiments, such as those depicted in FIGS. 6A-7, engagement features or indicia 89 are located on the first handle 52 to indicate to the user where the user's hands may be placed on a particular portion of the first handle 52 for the user interface sensor 88 to generate the signal indicating engagement by the user. For instance, the first handle 52 may comprise embossed or indented features to indicate where the user's hand should be placed. In other embodiments, the indicia 89 comprises a film, cover, or ink disposed at least partially over the first handle 52 and shaped like a handprint to suggest the user's hand should match up with the handprint for the user interface sensor 88 to generate the signal. In still other embodiments, the shape of the user interface sensor 88 acts as the indicia 89 to indicate where the user's hand should be placed for the user interface sensor 88 to generate the signal. In some embodiments (not shown), the patient transport apparatus 20 does not comprise a user interface sensor 88 operatively coupled to the lift actuator 66 for moving the auxiliary wheel 64 between the deployed position 68 and the retracted position 70. Instead, a user input device is operatively coupled to the lift actuator 66 for the user to selectively move the auxiliary wheel 64 between the deployed position 68 and the retracted position 70.

In the embodiments shown in FIGS. 6A-7, the auxiliary wheel drive system 90 is configured to drive (e.g. rotate) the auxiliary wheel 64 in response to a throttle 92 operable by the user. As is described in greater detail below in connection with FIGS. 12-18B, the throttle 92 is operatively attached to the first handle 52 in the illustrated embodiment to define a throttle assembly 93. In FIGS. 6A-7 the throttle 92 is illustrated in a neutral throttle position N. The throttle 92 is movable in a first direction 94 (also referred to as a "forward direction") relative to the neutral throttle position N and a second direction 96 (also referred to as a "backward direction") relative to the neutral throttle position N opposite the first direction 94. As will be appreciated from the subsequent description below, the auxiliary wheel drive system 90 drives the auxiliary wheel 64 in a forward direction FW (see FIG. 5C) when the throttle 92 is moved in the first direction 94, and in a rearward direction RW (see FIG. 5C) when the throttle 92 is moved in the second direction 96. When the throttle 92 is disposed in the neutral throttle position N, as shown in FIG. 6A (see also FIGS. 8A and 8D), the auxiliary wheel drive system 90 does not drive the auxiliary wheel 64 in either direction. In many embodiments, the throttle 92 is spring-biased to the neutral throttle position N. In some embodiments, when the throttle 92 is in the neutral throttle position N, the auxiliary wheel drive system 90 permits the auxiliary wheel 64 to be manually rotated as a result of a user pushing on the first handle 52 or another user interface 50 to push the patient transport apparatus 20 in a desired direction. In other words, the motor 102 may be unbraked and capable of being driven manually. In some embodiments, a throttle biasing element 91 such as a torsion spring (shown schematically in FIGS. 8A-8F) is used to bias or otherwise urge the throttle 92 to the neutral throttle position N such that when a user releases the throttle 92 after rotating the throttle 92 relative to the first handle 52 in either direction, the throttle biasing element 91 returns the throttle 92 to the neutral throttle position N.

It should be appreciated that the terms forward and backward are used to describe opposite directions that the auxiliary wheel 64 rotates to move the base 24 along the floor surface. For instance, forward refers to movement of the patient transport apparatus 20 with the foot end leading and backward refers to the head end leading. In other

embodiments, backward rotation moves the patient transport apparatus 20 in the direction with the foot end leading and forward rotation moves the patient transport apparatus 20 in the direction with the head end leading. In this embodiment, the handles 52, 54 may be located at the foot end.

Referring to FIGS. 6A-7, the location of the throttle 92 relative to the first handle 52 permits the user to simultaneously grasp the handle body 55 of the first handle 52 and rotate the throttle 92 about the central axis C defined by the inner support 53. This allows the user interface sensor 88, which is operatively attached to the handle body 55 in the illustrated embodiment, to generate the signal responsive to touch by the user while the user moves the throttle 92. In some embodiments, the throttle 92 comprises one or more throttle interfaces for assisting the user with rotating the throttle 92; more specifically, a thumb throttle interface 98a arranged so as to be engaged or otherwise operated by a user's thumb, and a finger throttle interface 98b arranged so as to be engaged or otherwise operated by one or more fingers of the user (e.g. forefinger). In some embodiments, the throttle 92 comprises only one of the throttle interfaces 98a, 98b. The user may place their thumb on either side of the thumb throttle and finger throttle interfaces 98a, 98b to assist in rotating the throttle 92 relative to the first handle 52. In some embodiments, the user may rotate the throttle 92 in the first direction 94 using the thumb throttle interface 98a and in the second direction 96 using the finger throttle interface 98b, or vice-versa.

In some embodiments, the throttle assembly 93 may comprise one or more auxiliary user interface sensors 88A, in addition to the user interface sensor 88, to determine engagement by the user. In the embodiment illustrated in FIGS. 6A-7, the auxiliary user interface sensors 88A are realized as throttle interface sensors 100 respectively coupled to each of the throttle interface 98a, 98b and operatively coupled to the auxiliary wheel drive system 90 (e.g., via electrical communication). The throttle interface sensors 100 are likewise configured to determine engagement by the user and generate a signal responsive to touch of the user's thumb and/or fingers. When the user is touching one or more of the throttle interfaces 98a, 98b, the throttle interface sensors 100 generate a signal indicating the user is currently touching one or more of the throttle interfaces 98a, 98b and movement of the throttle 92 is permitted to cause rotation of the auxiliary wheel 64. When the user is not touching any of the throttle interfaces 98a, 98b, the throttle interface sensors 100 generate a signal indicating an absence of the user's thumb and/or fingers on the throttle interfaces 98a, 98b, and movement of the throttle 92 is restricted from causing rotation of the auxiliary wheel 64. The throttle interface sensors 100 mitigate the chances for inadvertent contact with the throttle 92 to unintentionally cause rotation of the auxiliary wheel 64. The throttle interface sensors 100 may be absent in some embodiments. As is described in greater detail below in connection with FIGS. 12-18B, other types of auxiliary user interface sensors 88A are contemplated by the present disclosure besides the throttle interface sensors 100 described above. Furthermore, it will be appreciated that certain embodiments may comprise both the user interface sensor 88 and the auxiliary user interface sensor 88a (e.g., one or more throttle interface sensors 100), whereas other embodiments may comprise only one of either the user interface sensor 88 and the auxiliary user interface sensor 88a. Other configurations are contemplated.

Referring to FIGS. 8A-8F, various positions of the throttle 92 are shown. The throttle 92 is movable relative to the first handle 52 in a first throttle position, a second throttle

11

position, and intermediate throttle positions therebetween. The throttle **92** is operable between the first throttle position and the second throttle position to adjust the rotational speed of the auxiliary wheel.

In some embodiments, the first throttle position corresponds with the neutral throttle position **N** (shown in FIGS. **8A** and **8D**) and the auxiliary wheel **64** is at rest. The second throttle position is defined as an operating throttle position **107** (see FIG. **8A**) and, more specifically, corresponds with a maximum forward position **108** (shown in FIG. **8C**) of the throttle **92** moved in the first direction **94**. Here, the intermediate throttle position is also defined as an operating throttle position **107** and, more specifically, corresponds with an intermediate forward throttle position **110** (shown FIG. **8B**) of the throttle **92** between the neutral throttle position **N** and the maximum forward throttle position **108**. Here, both the maximum forward position **108** and the intermediate forward throttle position **110** may also be referred to as forward throttle positions **111** (see FIG. **8A**).

In other cases, the second throttle position corresponds with a maximum backward throttle position **112** (shown in FIG. **8E**) of the throttle **92** moved in the second direction **96**. Here, the intermediate throttle position corresponds with an intermediate backward throttle position **114** (shown in FIG. **8F**) of the throttle **92** between the neutral throttle position **N** and the maximum backward throttle position **112**. Here, both the maximum backward throttle position **112** and the intermediate backward throttle position **114** may also be referred to as backward throttle positions **115** (see FIG. **8F**). In the embodiments shown, the throttle **92** is movable from the neutral throttle position **N** to one or more operating throttle positions **107** (see FIGS. **8A** and **8F**) between the maximum backward throttle position **112** and the maximum forward throttle position **108**, including a plurality of forward throttle positions **111** (e.g., the intermediate forward throttle position **110**) between the neutral throttle position **N** and the maximum forward throttle position **108** as well as a plurality of backward throttle positions **115** (e.g., the intermediate backward throttle position **114**) between the neutral throttle position **N** and the maximum backward throttle position **112**. The configuration of the throttle **92** and the throttle assembly **93** will be described in greater detail below.

In some embodiments, as shown schematically in FIG. **10**, the patient transport apparatus **20** comprises a support wheel brake actuator **116** operably coupled to one or more of the support wheels **56** for braking one or more support wheels **56**. In one embodiment, the support wheel brake actuator **116** comprises a brake member **118** coupled to the base **24** and movable between a braked position engaging one or more of the support wheels **56** to brake the support wheel **56** and a released position permitting one or more of the support wheels **56** to rotate freely.

In some embodiments, as shown schematically in FIG. **10**, the patient transport apparatus **20** comprises an auxiliary wheel brake actuator **120** operably coupled to the auxiliary wheel **64** for braking the auxiliary wheel **64**. In one embodiment, the auxiliary wheel brake actuator **120** comprises a brake member **122** coupled to the base **24** and movable between a braked position engaging the auxiliary wheel **64** to brake the auxiliary wheel **64** and a released position permitting the auxiliary wheel **64** to rotate freely.

FIG. **10** illustrates a control system **124** of the patient transport apparatus **20**. The control system **124** comprises a controller **126** coupled to, among other components, the user interface sensors **88**, **88A**, the throttle assembly **93**, the lift actuator **66**, the auxiliary wheel drive system **90**, the throttle interface sensors **100**, the support wheel brake actuator **116**,

12

the bed lift actuator **37a**, and the auxiliary wheel brake actuator **120**. The controller **126** is configured to operate the lift actuator **66**, the auxiliary wheel drive system **90**, the support wheel brake actuator **116**, the bed lift actuator **37a** to operate the lift assembly **37**, and the auxiliary wheel brake actuator **120**. The controller **126** is configured to detect the signals from the sensors **88**, **88a**, **100**. The controller **126** is further configured to operate the lift actuator **66** responsive to the user interface sensor **88** generating signals responsive to touch.

The controller **126** includes a memory **127**. Memory **127** may be any memory suitable for storage of data and computer-readable instructions. For example, the memory **127** may be a local memory, an external memory, or a cloud-based memory embodied as random access memory (RAM), non-volatile RAM (NVRAM), flash memory, or any other suitable form of memory.

The controller **126** generally comprises one or more microprocessors for processing instructions or for processing algorithms stored in memory to control operation of the lift actuator. Additionally or alternatively, the controller **126** may comprise one or more microcontrollers, field programmable gate arrays, systems on a chip, discrete circuitry, and/or other suitable hardware, software, or firmware that is capable of carrying out the functions described herein. The controller **126** may be carried on-board the patient transport apparatus **20**, or may be remotely located. In one embodiment, the controller **126** is mounted to the base **24**.

In one embodiment, the controller **126** comprises an internal clock to keep track of time. In one embodiment, the internal clock is a microcontroller clock. The microcontroller clock may comprise a crystal resonator; a ceramic resonator; a resistor, capacitor (RC) oscillator; or a silicon oscillator. Examples of other internal clocks other than those disclosed herein are fully contemplated. The internal clock may be implemented in hardware, software, or both.

In some embodiments, the memory **127**, microprocessors, and microcontroller clock cooperate to send signals to and operate the actuators **66**, **116**, **120** and the auxiliary wheel drive system **90** to meet predetermined timing parameters. These predetermined timing parameters are discussed in more detail below and are referred to as predetermined durations.

The controller **126** may comprise one or more subcontrollers configured to control the actuators **66**, **116**, **120** or the auxiliary wheel drive system **90**, or one or more subcontrollers for each of the actuators **66**, **116**, **120** or the auxiliary wheel drive system **90**. In some cases, one of the subcontrollers may be attached to the intermediate frame **26** with another attached to the base **24**. Power to the actuators **66**, **116**, **120**, the auxiliary wheel drive system **90**, and/or the controller **126** may be provided by a battery power supply **128**.

The controller **126** may communicate with the actuators **66**, **116**, **120** and the auxiliary wheel drive system **90** via wired or wireless connections. The controller **126** generates and transmits control signals to the actuators **66**, **116**, **120** and the auxiliary wheel drive system **90**, or components thereof, to operate the actuators **66**, **116**, **120** and the auxiliary wheel drive system **90** to perform one or more desired functions.

In one embodiment, and as is shown in FIGS. **6A-7**, the control system **124** comprises an auxiliary wheel position indicator **130** to display a current position of the auxiliary wheel **64** between or at the deployed position **68** and the retracted position **70**, and the one or more intermediate positions **71**. In one embodiment, the auxiliary wheel posi-

tion indicator **130** comprises a light bar that lights up completely when the auxiliary wheel **64** is in the deployed position **68** to indicate to the user that the auxiliary wheel **64** is ready to be driven. Likewise, the light bar may be partially lit up when the auxiliary wheel **64** is in a partially retracted position and the light bar may be devoid of light when the auxiliary wheel **64** is in the fully retracted position **70**. Other visualization schemes are possible to indicate the current position of the auxiliary wheel **64** to the user, such as other graphical displays, text displays, and the like. Such light indicators or displays are coupled to the controller **126** to be controlled by the controller **126** based on the detected position of the auxiliary wheel **64** as described below.

In one embodiment schematically shown in FIG. **10**, the control system **124** comprises a user feedback device **132** coupled to the controller **126** to indicate to the user one of a current speed, a current range of speeds, a current throttle position, and a current range of throttle positions. In one embodiment, the user feedback device **132** comprises one of a visual indicator, an audible indicator, and a tactile indicator.

In one exemplary embodiment shown in FIGS. **6A** and **8**, when the user operates the throttle **92** to move the throttle **92** between the neutral throttle position **N** and the intermediate forward throttle position **110**, a first LED **132a** lights up to indicate to a user that the current throttle position is between the neutral throttle position **N** and the intermediate forward throttle position **110**. When the user operates the throttle **92** to move the throttle **92** to a position between the intermediate forward throttle position **110** and the maximum forward throttle position **108**, the first LED **132a** may turn off and a second LED **132b** lights up to indicate to the user that a new range of throttle positions or a new range of speeds has been selected.

In other embodiments LED's may illuminate different colors to indicate different settings, positions, speeds, etc. In still other embodiments, at least a portion of the throttle **92** is translucent to permit different colors and or color intensities to shine through and indicate different settings, positions, speeds, etc.

In another exemplary embodiment, the first handle **52** comprises a plurality of detents **133a** (shown in FIG. **8A**) for providing tactile feedback to the user to indicate one of a change in throttle position and a change in a range of throttle positions when the user moves the throttle **92** relative to the first handle **52** to effect a change in throttle position. A detent spring **133b** is coupled to the throttle **92** to rotate with the throttle **92** relative to the first handle **52**. The detent spring **133b** biases a detent ball **133c** into engagement with the plurality of detents **133a**. When the user rotates the throttle **92**, the plurality of detents **133a** and detent ball **133c** assist the user in retaining a throttle position. The detent spring **133b** biases the detent ball **133c** with a force less than the biasing force of the throttle biasing element **91**. In this manner, the force of the detent spring **133b** does not restrict the throttle biasing element **91** from returning the throttle **92** to the neutral throttle position **N** when the user releases the throttle **92**. In other embodiments, the detent spring **133b** may be coupled to the first handle **52** and the plurality of detents **133a** may be coupled to the throttle **92** to rotate with the throttle **92** relative to the first handle **52**.

Other visualization schemes are possible to indicate one or more of the current speed, the current range of speeds, the current throttle position, and the current range of throttle positions to the user or other settings of the throttle **92**, such as other graphical displays, text displays, and the like. Such light indicators or displays are coupled to the controller **126**

to be controlled by the controller **126** based on the detected one or more current speed, current range of speeds, current throttle position, and current range of throttle positions or other current settings as described below.

The actuators **66**, **116**, **120** and the auxiliary wheel drive system **90** described above may comprise one or more of an electric actuator, a hydraulic actuator, a pneumatic actuator, combinations thereof, or any other suitable types of actuators, and each actuator may comprise more than one actuation mechanism. The actuators **66**, **116**, **120** and the auxiliary wheel drive system **90** may comprise one or more of a rotary actuator, a linear actuator, or any other suitable actuators. The actuators **66**, **116**, **120** and the auxiliary wheel drive system **90** may comprise reversible, DC motors, or other types of motors.

A suitable actuator for the lift actuator **66** comprises a linear actuator supplied by LINAK A/S located at Smedevenget 8, Guderup, DK-6430, Nordborg, Denmark. It is contemplated that any suitable actuator capable of deploying the auxiliary wheel **64** may be utilized.

The controller **126** is generally configured to operate the lift actuator **66** to move the auxiliary wheel **64** to the deployed position **68** responsive to detection of the signal from the user interface sensor **88**. When the user touches the first handle **52**, the user interface sensor **88** generates a signal indicating the user is touching the first handle **52** and the controller operates the lift actuator **66** to move the auxiliary wheel **64** to the deployed position **68**. In some embodiments, the controller **126** is further configured to operate the lift actuator **66** to move the auxiliary wheel **64** to the retracted position **70** responsive to the user interface sensor **88** generating a signal indicating the absence of the user touching the first handle **52**.

In some embodiments, the controller **126** is configured to operate the lift actuator **66** to move the auxiliary wheel **64** to the deployed position **68** responsive to detection of the signal from the user interface sensor **88** indicating the user is touching the first handle **52** for a first predetermined duration greater than zero seconds. Delaying operation of lift actuator **66** for the first predetermined duration after the controller **126** detects the signal from the sensor **88** indicating the user is touching the first handle **52** mitigates chances for inadvertent contact to result in operation of the lift actuator **66**. In some embodiments, the controller **126** is configured to initiate operation of the lift actuator **66** to move the auxiliary wheel **64** to the deployed position **68** immediately after (e.g., less than 1 second after) the user interface sensor **88** generates the signal indicating the user is touching the first handle **52**.

In some embodiments, the controller **126** is further configured to operate the lift actuator **66** to move the auxiliary wheel **64** to the retracted position **70**, or to the one or more intermediate positions **71**, responsive to the user interface sensor **88** generating a signal indicating the absence of the user touching the first handle **52**. In some embodiments, the controller **126** is configured to operate the lift actuator **66** to move the auxiliary wheel **64** to the retracted position **70**, or to the one or more intermediate positions **71**, responsive to the user interface sensor **88** generating the signal indicating the absence of the user touching the first handle **52** for a predetermined duration greater than zero seconds. In some embodiments, the controller **126** is configured to initiate operation of the lift actuator **66** to move the auxiliary wheel **64** to the retracted position **70**, or to the one or more intermediate positions **71**, immediately after (e.g., less than

1 second after) the user interface sensor **88** generates the signal indicating the absence of the user touching the first handle **52**.

In embodiments including the support wheel brake actuator **116** and/or the auxiliary wheel brake actuator **120**, the controller **126** may also be configured to operate one or both brake actuators **116**, **120** to move their respective brake members **118**, **122** between the braked position and the released position. In one embodiment, the controller **126** is configured to operate one or both brake actuators **116**, **120** to move their respective brake members **118**, **122** to the braked position responsive to the user interface sensor **88** generating the signal indicating the absence of the user touching the first handle **52** for a predetermined duration. In one embodiment, the predetermined duration for moving brake members **118**, **122** to the braked position is greater than zero seconds. In some embodiments, the controller **126** is configured to initiate operation of one or both brake actuators **116**, **120** to move their respective brake members **118**, **122** to the braked position immediately after (e.g., less than 1 second after) the user interface sensor **88** generates the signal indicating the absence of the user touching the first handle **52**.

In one embodiment, the controller **126** is configured to operate one or both brake actuators **116**, **120** to move their respective brake members **118**, **122** to the released position responsive to the user interface sensor **88** generating the signal indicating the user is touching the first handle **52** for a predetermined duration. In one embodiment, the predetermined duration for moving brake members **118**, **122** to the released position is greater than zero seconds. In some embodiments, the controller **126** is configured to initiate operation of one or both brake actuators **116**, **120** to move their respective brake members **118**, **122** to the released position immediately after (e.g., less than 1 second after) the user interface sensor **88** generates the signal indicating the user is touching the first handle **52**.

In some embodiments, an auxiliary wheel position sensor **146** (also referred to as a "position sensor") is coupled to the controller **126** and generates signals detected by the controller **126**. The auxiliary wheel position sensor **146** is coupled to the controller **126** and the controller **126** is configured to detect the signals from the auxiliary wheel position sensor **146** to detect positions of the auxiliary wheel **64** as the auxiliary wheel **64** moves between the deployed position **68**, the one or more intermediate positions **71**, and the retracted position **70**.

In one embodiment, the auxiliary wheel position sensor **146** is disposed at a first sensor location S1 (see FIGS. 5A-5C) at a pivot point of the first auxiliary wheel frame **74a**. The auxiliary wheel position sensor **146** (e.g. realized with a potentiometer, an encoder, etc.) generates one or more signals responsive to the position of the first auxiliary wheel frame **74a** and the controller **126** determines the position of the auxiliary wheel **64** from changes in position of the first auxiliary wheel frame **74a** (e.g., via angular changes in position of the first auxiliary wheel frame **74a** detected by the controller **126** through signals from the sensor **146**).

In another embodiment, the auxiliary wheel position sensor **146** is disposed at a second sensor location S2 (see FIGS. 5A-5C), coupled to the lift actuator **66**. The auxiliary wheel position sensor **146** (e.g. hall effect sensor, a linear potentiometer, a linear variable differential transformer, and the like) generates a signal responsive to the change in position of the drive rod **66b** relative to the housing **66a** and the controller **126** determines the position of the auxiliary wheel **64** from operation of the lift actuator **66**.

In other embodiments, the auxiliary wheel position sensor **146** is disposed on the base **24** or another component of the patient transport apparatus **20** to directly monitor the position of the auxiliary wheel **64** and generate signals responsive to the position of the auxiliary wheel **64**. In still other embodiments, the auxiliary wheel position sensor **146** detects the position of the auxiliary wheel **64** in another manner.

In one embodiment, the controller **126** is configured to operate one or both brake actuators **116**, **120** to move their respective brake members **118**, **122** to the released position responsive to detection of the auxiliary wheel **64** being in the deployed position **68**. In other embodiments, the controller **126** is configured to operate one or both brake actuators **116**, **120** to move their respective brake members **118**, **122** to the released position responsive to detection of the auxiliary wheel **64** being in a position between the deployed position **68** and the retracted position **70** (e.g., the one or more intermediate positions **71**).

In one embodiment, the controller **126** is configured to operate the lift actuator **66** to move the auxiliary wheel **64** to the retracted position **70** (See FIG. 5A) and the partially retracted (intermediate) position **71** (See FIG. 5B) between the deployed position **68** (See FIG. 5C) and the retracted position **70** (see FIG. 5A). More specifically, the controller **126** generates control signals to command the lift actuator **66** to move the auxiliary wheel **64** based on feedback to the controller **126** from the auxiliary wheel position sensor **146** as to the current position of the auxiliary wheel **64**. In the partially retracted (intermediate) position **71**, the auxiliary wheel **64** is still spaced from the floor surface, but is closer to the floor surface than when in the retracted position **70**.

In one embodiment, the controller **126** is configured to operate the lift actuator **66** to temporarily hold the auxiliary wheel **64** at the partially retracted (intermediate) position **71** for a duration greater than zero seconds as the auxiliary wheel **64** moves from the deployed position **68** toward the retracted position **70**. This configuration prevents the auxiliary wheel **64** from travelling a greater distance to the retracted position **70** when the user interface sensor **88** detects a brief absence of the user. For instance, when a user momentarily releases their hand from the first handle **52** to move the patient transport apparatus **20** via the support wheels **56** in a direction transverse to a direction of travel of the auxiliary wheel **64**, the lift actuator **66** moves the auxiliary wheel **64** to the partially retracted (intermediate) position **71**. When the user returns their hand into engagement with the first handle **52** before the duration expires, the lift actuator **66** will not have to move the auxiliary wheel **64** as far to return the auxiliary wheel **64** to the deployed position **68**. If the duration of time expires, then the controller **126** operates the lift actuator **66** to move the auxiliary wheel **64** to the retracted position **70**. The duration of time for which the user may be absent before the auxiliary wheel **64** is moved to the retracted position **70** may be 15 seconds or less, 30 seconds or less, 1 minute or less, 3 minutes or less, or other suitable durations.

In one embodiment, the control system **124** comprises a transverse force sensor **148** coupled to the controller **126** and the axle **76** of the auxiliary wheel **64**. The transverse force sensor **148** is configured to generate a signal responsive to a force being applied to the patient transport apparatus **20** in a direction transverse to the direction of travel of the auxiliary wheel **64**. The controller **126** is configured to detect the signal. For instance, when the user applies force to the user interface **50** of one of the side rails **38**, **40**, **42**, **44** to move the base **24** in a direction transverse to the direction

of travel of the auxiliary wheel **64**, the force from the user is transferred through the support structure **22** to the auxiliary wheel **64**. When the controller **126** detects a transverse force above a predetermined threshold, the controller **126** is configured to operate the lift actuator **66** to move the auxiliary wheel **64** to the partially retracted (intermediate) position **71** for a predetermined duration of time greater than zero seconds. In some embodiments, the controller **126** is configured to also operate the support wheel brake actuator **116** to move the brake member **118** to the released position when the controller **126** detects the transverse force above the predetermined threshold.

In some embodiments, the controller **126** is configured to operate the lift actuator **66** to move the auxiliary wheel **64** to the partially retracted (intermediate) position **71** when the controller detects the transverse force above the predetermined threshold even if the user interface sensor **88** detects the presence of the user. For example, while the user has their hand on the first handle **52**, a second user exerts a transverse force on one or more side rails **38, 40, 42, 44** to move the base **24** in a direction transverse to the direction of travel of the auxiliary wheel **64**. The controller **126** is configured to operate the lift actuator **66** to retract the auxiliary wheel **64** despite the user interface sensor **88** generating signals indicating the user is touching the first handle **52**.

In one embodiment, the lift actuator **66** is operable to move the auxiliary wheel **64** to a fully deployed position **68** and a partially deployed position (not shown) defined as an intermediate position **71** where the auxiliary wheel **64** engages the floor surface with less force than when in the fully deployed position **68**. More specifically, the lift actuator **66** is operable to permit the torsion spring **86** to bias the auxiliary wheel **64** to a partially deployed position before the fully deployed position **68**.

In one embodiment, an auxiliary wheel load sensor **150** is coupled to the auxiliary wheel **64** and the controller **126**, with the auxiliary wheel load sensor **150** configured to generate a signal responsive to a force of the auxiliary wheel **64** being applied to the floor surface. In some embodiments, the auxiliary wheel load sensor **150** is coupled to the axle **76** of the auxiliary wheel **64**. The controller **126** is configured to detect the signal from the auxiliary wheel load sensor **150** and, in some embodiments, is configured to operate the auxiliary wheel drive system **90** to drive the auxiliary wheel **64** and move the base **24** relative to the floor surface responsive to the controller **126** detecting signals from the auxiliary wheel load sensor **150** indicating the auxiliary wheel **64** is in the partially deployed position engaging the floor surface when a force of the auxiliary wheel **64** on the floor surface exceeds an auxiliary wheel load threshold. This allows the user to drive the auxiliary wheel **64** before the auxiliary wheel **64** reaches the fully deployed position without the auxiliary wheel **64** slipping against the floor surface.

As is described in greater detail below, in some embodiments, a patient load sensor **152** is coupled to the controller **126** and to one of the base **24** and the intermediate frame **26**. The patient load sensor **152** generates a signal responsive to weight, such as a patient being disposed on the base **24** and/or the intermediate frame **26**. The controller **126** is configured to detect the signal from the patient load sensor **152**. Here, the auxiliary wheel load threshold may change based on detection of the signal generated by the patient load sensor **152** to compensate for changes in weight disposed on the intermediate frame **26** and/or the base **24** to mitigate

probability of the auxiliary wheel **64** slipping when the controller **126** operates the auxiliary wheel drive system **90**.

In the illustrated embodiments, where the auxiliary wheel drive system **90** comprises the motor **102** and the gear train **106**, the controller **126** is configured to operate the motor **102** to drive the auxiliary wheel **64** and move the base **24** relative to the floor surface responsive to detection of the auxiliary wheel **64** being in the partially deployed position as detected by virtue of the controller **126** detecting the motor **102** drawing electrical power from the power source **104** above an auxiliary wheel power threshold, such as by detecting a change in current draw of the motor **102** associated with the auxiliary wheel **64** being in contact with the floor surface. In this case, detection of the current drawn by the motor **102** being above a threshold operates as a form of auxiliary wheel load sensor **150**.

In some embodiments, when power is not supplied to the motor **102** from the power source **104**, the motor **102** acts as a brake to decelerate the auxiliary wheel **64** through the gear train **106**. In other embodiments, the auxiliary wheel **64** is permitted to rotate freely when power is not supplied to the motor **102**.

In some embodiments, the controller **126** is configured to operate the motor **102** to brake the motor **102**, and thus the auxiliary wheel **64**, responsive to detection of the signal from the user interface sensor **88** indicating the user is not touching the first handle **52** for a predetermined duration. In one embodiment, the predetermined duration is greater than zero seconds. In other embodiments, the controller **126** is configured to initiate operation of the motor **102** to brake the motor **102**, and thus the auxiliary wheel **64**, immediately after (e.g., less than 1 second after) the controller **126** detects the signal from the user interface sensor **88** indicating the user is not touching the first handle **52**.

In some embodiments, when the throttle **92** is in the neutral throttle position **N**, the auxiliary wheel drive system **90** permits the auxiliary wheel **64** to be manually rotated as a result of a user pushing on the first handle **52** or another user interface **50** to push the patient transport apparatus **20** in a desired direction. In other words, the motor **102** may be unbraked and capable of being driven manually.

In one embodiment, one or more of the base **24**, the intermediate frame **26**, the patient support deck **30**, and the side rails **38, 40, 42, 44** are configured to be coupled to an ancillary device (not shown) such as a table or a nurse module. In other embodiments, the ancillary device is another device configured to be coupled to the patient transport apparatus **20**. An ancillary device sensor **154** is coupled to the controller **126** and configured to generate a signal responsive to whether the ancillary device is coupled to one or more of the base **24**, the intermediate frame **26**, the patient support deck **30**, and the side rails **38, 40, 42, 44**. The controller **126** is configured to detect the signal from the ancillary device sensor **154**. When the controller **126** detects the ancillary device being coupled to one or more of the base **24**, the intermediate frame **26**, the patient support deck **30**, and the side rails **38, 40, 42, 44**, the controller **126** is configured to operate the support wheel brake actuator **116** to move the brake member **118** to the braked position and to operate the lift actuator **66** to move the auxiliary wheel **64** to the retracted position **70** (or, in some embodiments, to an intermediate position **71**). The controller **126** may be configured to operate the support wheel brake actuator **116** and the lift actuator **66** in this manner even when the user interface sensor **88** detects the presence of the user.

In some embodiments, the user interface sensor **88** comprises a first sensor coupled to the first handle **52**, and a

second sensor coupled to the second handle **54**. In one embodiment, the controller **126** requires the first and second sensors of the user interface sensor **88** to generate signals indicating the user is touching both the first and second handles **52, 54** to operate the actuators **66, 116, 120** or the auxiliary wheel drive system **90** as described above where the controller **126** facilitates operation based on detection of the user touching the first handle **52**. Likewise, in such embodiments, the controller **126** may require the first and second sensors of the user interface sensor to generate signals indicating the user is not touching either of the first and second handles **52, 54** to operate the actuators **66, 116, 120** or the auxiliary wheel drive system **90** as described above where the controller **126** facilitates operation based on detection of the user not touching the first handle **52**. In other embodiments, the controller **126** may require one or both of the first and second sensors of the user interface sensor **88** to generate a signal indicating the user is touching at least one of the first and second handles **52, 54** to operate actuators **66, 116, 120** or the auxiliary wheel drive system **90** as described above where the controller **126** facilitates operation based on detection of the user touching the first handle **52**. In another embodiment, the controller **126** may require one or both of the first and second sensors of the user interface sensor **88** to generate a signal indicating the user is not touching at least one of first and second handles **52, 54** to operate the actuators **66, 116, 120** or the auxiliary wheel drive system **90** as described above where the controller **126** facilitates operation based on detection of the user not touching the first handle **52**.

As noted above, the controller **126** is configured to operate the auxiliary wheel drive system **90** to rotate the auxiliary wheel **64** in response to operation of the throttle **92** such that moving the throttle **92** from the neutral throttle position **N** toward one of the maximum forward and maximum backward throttle positions **108, 112** increases the rotational speed of the auxiliary wheel **64** (e.g., increases the rotational velocity of the auxiliary wheel **64** in the desired direction).

Referring to FIGS. **9A** and **9B**, graphs illustrating two embodiments of the relationship between throttle position and auxiliary wheel rotational speed are shown. The rotational speed of the auxiliary wheel **64** is shown on the Y-axis and changes in a non-linear manner with respect to movement of the throttle **92**. The rotational speed of the auxiliary wheel **64** in each graph are not expressed in units, but denoted as a percentage of maximum speed in either direction. In other cases, rotation speed or velocity could be shown on the Y-axis. Throttle position is shown on the X-axis. The throttle position at 0% corresponds to the neutral throttle position **N**. The throttle position at 100% corresponds to maximum forward throttle position **108**. The throttle position at -100% corresponds to maximum backward throttle position **112**.

FIG. **9A** illustrates one embodiment of a first speed mode **134** of throttle position relative to rotational speed of the auxiliary wheel **64**. FIG. **9B** illustrates one embodiment of a second speed mode **136** of throttle position relative to rotational speed of the auxiliary wheel **64**. In one embodiment, the controller **126** operates the auxiliary wheel drive system **90** using the first speed mode **134** illustrated in FIG. **9A**. In another embodiment, the controller **126** operates the auxiliary wheel drive system **90** using the second speed mode **136** illustrated in **10B**. In another embodiment described further below, the controller **126** is configured to switch between the first and second speed modes **134, 136**.

When the throttle **92** is in the maximum forward throttle position **108** and the controller **126** operates the auxiliary wheel drive system **90** using the first speed mode **134**, the controller **126** is configured to operate the auxiliary wheel drive system **90** to rotate the auxiliary wheel **64** at a maximum forward rotational speed. When the throttle **92** is in the maximum backward throttle position **112** and the controller **126** operates the auxiliary wheel drive system **90** using the first speed mode **134**, the controller **126** is configured to operate the auxiliary wheel drive system **90** to rotate the auxiliary wheel **64** at a maximum backward rotational speed.

When the throttle **92** is in the maximum forward throttle position **108** and the controller **126** operates the auxiliary wheel drive system **90** using the second speed mode **136**, the controller **126** is configured to operate the auxiliary wheel drive system **90** to rotate the auxiliary wheel **64** at an intermediate forward rotational speed less than the maximum forward rotational speed. When the throttle **92** is in the maximum backward throttle position **112** and the controller **126** operates the auxiliary wheel drive system **90** using the second speed mode **136**, the controller **126** is configured to operate the auxiliary wheel drive system **90** to rotate the auxiliary wheel **64** at an intermediate backward rotational speed less than the maximum backward rotational speed.

Switching between the two speed modes **134, 136** allows the patient transport apparatus **20** to operate at relatively fast speeds, preferred for moving the patient transport apparatus **20** through open areas and for long distances such as down hallways, and relatively slow speeds, preferred for moving the patient transport apparatus **20** in congested areas, such as a patient room, elevator, etc., where the user seeks to avoid collisions with external objects and people.

In one embodiment, the control system **124** comprises a condition sensor **138** (schematically shown in FIG. **10**) coupled to the controller **126**. The condition sensor **138** is configured to generate a signal responsive to a condition of the patient transport apparatus **20** indicating a presence or absence of the condition and the controller **126** is configured to detect the signal from the condition sensor **138**. The condition of the patient transport apparatus **20** comprises one of power being received from an external power source **140**, an obstacle in close proximity to the base **24**, a connection between the patient transport apparatus **20** and an external device, and at least part of the support structure **22** entering a predetermined location.

In one embodiment, the controller **126** is configured to automatically operate the auxiliary wheel drive system **90** using the second speed mode **136** to limit the forward rotational speed of the auxiliary wheel **64** to the intermediate forward rotational speed responsive to the throttle **92** being in the maximum forward throttle position **108** and the condition sensor **138** generating a signal indicating the presence of the condition of the patient transport apparatus **20**. The controller **126** is further configured to operate the auxiliary wheel drive system **90** using the second speed mode **136** to limit the backward rotational speed of the auxiliary wheel **64** to the intermediate backward rotational speed responsive to the throttle **92** being in the maximum backward throttle position **112** and the condition sensor **138** generating the signal indicating the presence of the condition of the patient transport apparatus **20**.

The controller **126** is configured to operate the auxiliary wheel drive system **90** using the first speed mode **134** to permit the forward rotational speed of the auxiliary wheel **64** to reach the maximum forward rotational speed responsive to the throttle **92** being in the maximum forward throttle

position 108 and the condition sensor 138 generating a signal indicating the absence of the condition of the patient transport apparatus 20. The controller 126 is further configured to operate the auxiliary wheel drive system 90 using the first speed mode 134 to permit the backward rotational speed of the auxiliary wheel 64 to reach the maximum backward rotational speed responsive to the throttle 92 being in the maximum backward throttle position 112 and the condition sensor 138 generating the signal indicating the absence of the condition of the patient transport apparatus 20.

In one exemplary embodiment, the condition sensor 138 comprises an obstacle detection sensor coupled to the controller 126 and the base 24. The obstacle detection sensor is configured to generate a signal indicating the presence or absence of obstacles in close proximity to the base 24.

When the obstacle detection sensor generates a signal indicating the absence of an obstacle, the controller 126 is configured to operate the auxiliary wheel drive system 90 using the first speed mode 134 and when the user moves the throttle 92 from the neutral throttle position N to the maximum forward throttle position 108, the controller 126 operates the auxiliary wheel drive system 90 to rotate the auxiliary wheel 64 at the maximum forward rotational speed.

When the obstacle detection sensor generates a signal indicating the presence of an obstacle, the controller 126 is configured to operate the auxiliary wheel drive system 90 using the second speed mode 136 and when the user moves the throttle 92 from the neutral throttle position N to the maximum forward throttle position 108, the controller 126 operates the auxiliary wheel drive system 90 to rotate the auxiliary wheel 64 at the intermediate forward rotational speed.

In another exemplary embodiment, the condition sensor 138 comprises a proximity sensor configured to generate a signal indicating the presence or absence of an external device such as a patient warning system, an IV pole, a temperature management system, etc. When the proximity sensor generates a signal indicating the presence of the external device, the controller 126 is configured to operate the auxiliary wheel drive system 90 using the second speed mode 136. When the proximity sensor generates a signal indicating the absence of the external device, the controller 126 is configured to operate the auxiliary wheel drive system 90 using the first speed mode 134.

In some embodiments, the proximity sensor may be configured to generate the signal responsive to the external device being coupled to the patient transport apparatus 20 to indicate a presence. For example, the proximity sensor may be coupled to the patient support deck 30. When an IV pole is coupled to the patient support deck 30, the proximity sensor generates a signal indicating the IV pole is coupled to the patient support deck 30 and the controller 126 is configured to operate the auxiliary wheel drive system 90 using the second speed mode 136. When the IV pole is removed from the patient support deck 30, the proximity sensor generates a signal indicating the IV pole has been removed from the patient support deck 30 and the controller 126 is configured to operate the auxiliary wheel drive system 90 using the first speed mode 134.

In the illustrated embodiment, the power source 104 comprises the battery power supply 128 (shown schematically in FIG. 10) to permit the patient transport apparatus 20 to be supplied with power during transport. In many embodiments, the patient transport apparatus 20 comprises an electrical cable 156 (shown in FIG. 11) coupled to the controller 126 and configured to be coupled to the external

power source 140 (e.g. plugged in) to charge the battery power supply 128 and provide power for other functions of the patient transport apparatus 20.

In another exemplary embodiment, the condition sensor 138 is configured to generate a signal indicating the presence or absence of the controller 126 receiving power from the external power source 140. When the condition sensor 138 generates a signal indicating the controller 126 is receiving power from the external power source 140, the controller 126 is configured to operate the auxiliary wheel drive system 90 using the second speed mode 136. When the condition sensor 138 generates a signal indicating the absence of the controller 126 receiving power from the external power source 140, the controller 126 is configured to operate the auxiliary wheel drive system 90 using the first speed mode 134.

In another embodiment shown in FIGS. 6A and 7, a speed input device 142 (shown schematically in FIG. 10) is coupled to the controller 126 and configured to be operable between a first setting and a second setting. The speed input device 142 may comprise a switch (see FIG. 6A), piezoelectric element, a touch sensor, or any other suitable input device to switch between the first and second settings. The speed input device 142 may be used in place of the condition sensor 138. In the first setting, the controller 126 operates the auxiliary wheel drive system 90 using the first speed mode 134, permitting the auxiliary wheel 64 to rotate at the maximum forward and backward rotational speeds when the throttle 92 is in the maximum forward and backward throttle positions 108, 112, respectively. In the second setting, the controller 126 operates the auxiliary wheel drive system 90 using the second speed mode 136, limiting the auxiliary wheel 64 to rotate at the intermediate forward and backward rotational speeds when the throttle 92 is in the maximum forward and backward throttle positions 108, 112, respectively.

In another embodiment, the controller 126 may be configured to operate the auxiliary wheel drive system 90 using three or more speed modes. The controller 126 may be configured to switch between the speed modes using any combination and number of sensors and/or speed input device settings.

In one embodiment, a speed sensor 144 (shown schematically in FIG. 10) is coupled to the controller 126 to generate a signal responsive to a current speed parameter. The current speed parameter may be obtained by the speed sensor 144 generating a signal responsive to one or more of a current speed of the base 24 moving relative to the floor surface and a current rotational speed of the auxiliary wheel 64. In another embodiment, the current speed parameter is obtained by the speed sensor 144 generating a signal responsive to movement of a component of the auxiliary wheel drive system 90.

The controller 126 is configured to set a desired speed parameter and adjust the electrical power supplied to the motor 102 to control rotational speed of the auxiliary wheel 64 such that the current speed parameter approximates the desired speed parameter. The motor 102 is operable in response to command signals from the controller 126 to rotate the auxiliary wheel 64. The controller 126 receives various input signals and has a drive circuit or other drive controller portion that controls voltage and/or current to the motor 102 based on the input signals.

As is depicted schematically in FIG. 10, in one embodiment, the control system 124 comprises the load sensor 152 (also referred to as a "patient load sensor") coupled to the controller 126. The load sensor 152 is configured to generate

a signal indicating a current weight disposed on the patient support deck 30. In the examples shown, the load sensor 152 comprises load cells coupled to the controller 126 and arranged to detect and/or measure the weight disposed on the patient support deck 30. The load cells may be arranged in the base 24, the intermediate frame 26, patient support deck 30 or any other suitable location to measure the weight disposed on the patient support deck 30.

The controller 126 is configured to control electrical power supplied to the motor 102 responsive to a signal detected by the controller 126 from the load sensor 152 indicating a current weight such that, for each of the throttle positions, the electrical power supplied to the motor 102 is greater when a first patient of a first weight is being transported on the patient transport apparatus 20 as compared to when a second patient of a second weight, less than the first weight, is being transported. In other words, to maintain a desired speed at any given throttle position, electrical power supplied to the motor 102 increases as weight disposed on the patient support deck 30 increases. Thus, the controller 126 may control voltage and/or current supplied to the motor 102 based on patient weight.

When the electrical cable 156 is coupled to the external power source 140, the range of movement of the base 24 relative to the floor surface is limited by a length of the electrical cable 156. Moving the base 24 past the range of movement will apply tension to the electrical cable 156 and ultimately decouple the electrical cable 156 from the external power source 140 (e.g. become unplugged). In some instances, the user may seek to move the base 24 relative to the floor surface while keeping the electrical cable 156 coupled to the external power source 140.

In one embodiment, the controller 126 is configured to determine if the electrical cable 156 is coupled to the external power source 140. When the controller 126 determines the electrical cable 156 is coupled to the external power source 140, the controller 126 is configured to operate the auxiliary wheel drive system 90 to limit the number of rotations of the auxiliary wheel 64 to limit the distance the base 24 moves relative to the floor surface.

In one embodiment, the control system 124 comprises a tension sensor 158 (shown schematically in FIG. 10) coupled to the electrical cable 156 and the controller 126. The tension sensor 158 is configured to generate a signal indicating tension is being applied to the electrical cable 156 as a result of the controller 126 operating the auxiliary wheel drive system 90 to rotate the auxiliary wheel 64 and move the base 24 relative to the floor surface. The controller 126 is configured to operate the auxiliary wheel drive system 90 to stop rotating the auxiliary wheel 64 responsive to the tension sensor 158 generating the signal indicating the tension of the electrical cable 156 exceeds a tension threshold.

In one embodiment, the electrical cable 156 is coupled to one of the base 24 and the intermediate frame 26. The tension sensor 158 is disposed at a first sensor location S1 (see FIG. 11) at a point on an exterior of the electrical cable 156. The tension sensor 158 (e.g. strain gauge) generates a signal indicating the amount of tension on the electrical cable 156 and the controller 126 determines whether the tension is above the threshold to determine whether to operate the auxiliary wheel drive system 90 to stop rotating the auxiliary wheel 64.

In another embodiment, the tension sensor 158 is disposed at a second sensor location S2 (see FIG. 11) at a point between a plate 160 that is fixed to the electrical cable 156 and a surface 162 of the base 24. The tension sensor 158

(e.g. pressure sensor) generates a signal indicating an amount of pressure between the plate 160 and the surface 162 resulting from tension on the electrical cable 156 and the controller 126 relates the pressure with a tension to determine whether the tension is above the threshold to determine whether to operate the auxiliary wheel drive system 90 to stop rotating the auxiliary wheel 64. Each of the sensors 88, 100, 138, 144, 152, 158 described above may comprise one or more of a force sensor, a load cell, a speed radar, an optical sensor, an electromagnetic sensor, an accelerometer, a potentiometer, an infrared sensor, a capacitive sensor, an ultrasonic sensor, a limit switch, or any other suitable sensor for performing the functions recited herein. Other configurations are contemplated.

In one embodiment, the controller 126 is configured to operate one or both the brake actuators 116, 120 to brake the auxiliary wheel 64 or one or more support wheels 56 when the controller 126 determines the base 24 has moved a predetermined distance or when the tension sensor 158 generates a signal indicating the tension of the electrical cable 156 approaches the tension threshold.

In one embodiment, the user feedback device 132 is further configured to indicate to the user whether the electrical cable 156 is coupled to the external power source 140 or whether the electrical cable 156 is about to be decoupled from the external power source 140. In an exemplary embodiment, an (visual, audible, and/or tactile) alarm may trigger if the base 24 has moved the predetermined distance while the electrical cable 156 is plugged in or tension of the electrical cable 156 approaches the tension threshold.

Referring now to FIGS. 12-18B, another embodiment of the first handle 52 (hereinafter referred to as "the handle 52") and the throttle assembly 93 is generally depicted. As is best depicted in FIGS. 13-15, the handle body 55 has a shell-like configuration defined by first and second handle body members 55a, 55b which interlock, clamp, or otherwise operatively attach to the inner support 53 via one or more fasteners 164. Here, the inner support 53 comprises a tubular member 166 has a generally hollow, cylindrical profile which defines the central axis C and generally facilitates connection of the handle 52 and the throttle assembly 93 to the intermediate frame 26 or another portion of the patient transport apparatus 20 (connection not shown in detail). In the illustrated embodiment, an interface sensor board 168 is supported within the tubular member 166. The interface sensor board 168 is disposed in communication with the controller 126 of the control system 124 via a harness 170 and, as is described in greater detail below, generally supports the user interface sensors 88, 88A. Here, the interface sensor board 168 is secured to the first handle body member 55a of the handle body 55 via fasteners 164 which extend through clearance apertures 172 formed in the tubular member 166 of the inner support 53.

With continued reference to FIGS. 13-15, in the illustrated embodiment, the throttle assembly 93 also comprises a bearing subassembly 174 to facilitate rotation of the throttle 92 about the central axis CA to move from the neutral throttle position N (see FIGS. 8A and 16A) to the various operating throttle positions 107 such as: the maximum forward throttle position 108 (see FIGS. 8C and 16B) or another forward throttle position 111 defined by rotation from the neutral throttle position N in the first direction 94; or the maximum backward throttle position 112 (see FIGS. 8F and 16C) or another backward throttle position 115 defined by rotation from the neutral throttle position N in the second direction 96. To this end, the bearing subassembly 174 generally comprises a coupling body 176 and a bearing

178. Here, the coupling body 176 forms part of the inner support 53 and is operatively attached to the tubular member 166 of the inner support 53 via one or more fasteners 164. The coupling body 176 supports the bearing 178 which, in turn, rotatably supports the throttle 92 for rotation about the central axis C so as to facilitate rotational movement of the throttle 92 relative to the handle body 55 from the neutral throttle position N to the one or more operating throttle positions 107. As is described in greater detail below, the coupling body 176 of the inner support 53 also supports the throttle biasing element 91 via a keeper plate 180.

In order to facilitate axial retention of the throttle 92, a retainer 182 comprising a retainer plate 184 and one or more retainer braces 186 secures to the coupling body 176 via one or more fasteners 164 such that at least a portion of the throttle 92 arranged along the central axis CA is secured between the retainer plate 184 and the coupling body 176 (see also FIG. 15). In the illustrated embodiment, a light guide 188, which is described in greater detail below in connection with FIGS. 17A-18B, is provided. The light guide 188 generally comprises a guide plate 190 and a guide extension 192 interposed in engagement between the retainer plate 184 and the throttle 92. To this end, the guide plate 190 comprises one or more guide apertures 194 through which the retainer braces 186 extend. Similarly, the throttle 92 in this embodiment comprises one or more arc slots 196 (see FIG. 13; see also FIGS. 16A-16C) through which the retainer braces 186 extend. Here, the arc slots 196 are shaped and arranged to limit rotation of the throttle 92 about the central axis C between the maximum forward throttle position 108 (see FIG. 16B) and the maximum backward throttle position 112 (see FIG. 16C).

The retainer plate 184 also comprises a retainer aperture 198 and one or more retainer indexing features 200 (see FIG. 13) which facilitate attachment of an end cap 202 to the retainer 182. More specifically, and as is best depicted in FIG. 14, the end cap 202 comprises one or more cantilevered fingers 204 that extend into the retainer aperture 198 and secure against the retainer plate 184, and one or more end cap indexing features 206 that are shaped and arranged to engage in the retainer indexing features 200 so as to "clock" or otherwise align the end cap 202 with the retainer 182 about the central axis C.

Referring now to FIGS. 13-16C, the throttle assembly 93 comprises a throttle position sensor, generally indicated at 208, which is interposed between the throttle 92 and the handle body 55 and is disposed in communication with the controller 126 (e.g., via electrical communication as depicted schematically in FIG. 10) to determine movement of the throttle 92 about the central axis C between the neutral throttle position N (see FIG. 16A) and the one or more operating throttle positions 107 (see FIGS. 16B-16C). Here, the throttle position sensor 208 detects the current position of the throttle 92 and generates a position signal used by the controller 126 to facilitate operation of the auxiliary wheel drive system 90. To this end, in the illustrated embodiment, the throttle position sensor 208 comprises an emitter 210 coupled to the throttle 92 for concurrent movement therewith, and a detector 212 operatively attached to the inner support 53 for determining the position of the emitter 210 relative to the detector 212 as the throttle 92 moves between the neutral throttle position N (see FIG. 16A) and the one or more operating throttle positions 107 (see FIGS. 16B-16C).

The controller 126 is coupled to both the auxiliary wheel drive system 90 and the detector 212 of the throttle position sensor 208 (see FIG. 10), and is configured to operate the auxiliary wheel drive system 90 to rotate the auxiliary wheel

64 in the forward direction FW (see FIG. 5C) when the throttle 92 is moved in the first direction 94 based on the detector 212 determining movement of the emitter 210 with the throttle 92 from the neutral throttle position N (see FIG. 16A) to the one or more forward throttle positions 111 (see FIG. 16B). The controller 126 is also configured to operate the auxiliary wheel drive system 90 to rotate the auxiliary wheel 64 in the rearward direction RW (see FIG. 5C) when the throttle 92 is moved in the second direction 96 based on the detector 212 determining movement of the emitter 210 with the throttle 92 from the neutral throttle position N (see FIG. 16A) to the one or more backward throttle positions 115 (see FIG. 16C).

With continued reference to FIGS. 13-16C, in the illustrated embodiment, the emitter 210 is configured to generate a predetermined magnetic field, and the detector 212 is responsive to predetermined changes in magnetic fields to determine a relative position of the emitter 210 as the throttle 92 moves from the neutral throttle position N to the one or more operating throttle positions 107. To this end, the detector 212 is realized as a Hall-effect sensor in the illustrated embodiment and is supported on a throttle circuit board 214 disposed in communication with the interface sensor board 168 via a connector 216. As described in greater detail below, the interface sensor board 168 is coupled to or otherwise disposed in electrical communication with the controller 126 (e.g., via wired electrical communication across the harness 170).

The throttle circuit board 214 is operatively attached to the coupling body 176 via one or more fasteners 164 (see FIG. 13), and also supports one or more light modules 218 (e.g., single and/or multi-color light emitting diodes LEDs). The light modules 218 and the light guide 188 cooperate to define a status indicator 220 driven by the controller 126 in the illustrated embodiment to communicate various changes in status of the auxiliary wheel drive system 90 to the user as described in greater detail below in connection with FIGS. 17A-18B. The controller 126 is generally configured to selectively drive the one or more light modules 218 to emit light through the light guide 188 which, as noted above, is operatively attached to the inner support 53 adjacent to the throttle 92. Here, the light guide 188 is configured to direct light emitted by the one or more light modules 218 of the status indicator 220 in a direction facing away from the central axis C. To this end, the one or more light modules 218 are arranged so as to selectively emit light in a direction generally parallel to or otherwise along the central axis C. In the illustrated embodiment, the emitter 210 has a substantially annular profile defining an emitter void 222 shaped to permit light emitted by the one or more light modules 218 to pass through the emitter void 222.

As is best depicted in FIG. 15, at least a portion of the light guide 188 (e.g., the guide extension 192) extends into or otherwise through the emitter void 222 of the emitter 210. Here, it will be appreciated that the emitter 210 is not disposed in contact with the light guide 188 and moves concurrently with the throttle 92 about the central axis CA relative to the light guide 188 which, as noted above, is operatively attached to the inner support 53 of the handle 52 and is therefore fixed relative to the central axis CA. With this arrangement, the throttle 92 similarly comprises a throttle void 224 in which the emitter 210 is supported such that at least a portion of the light guide 188 (e.g., the guide extension 192) also extends into or otherwise through the throttle void 224. While the emitter 210 has a substantially annular profile as noted above, this annular profile also comprises a transverse notch 226 that abuts a corresponding

flat 228 formed in the throttle void 224 of the throttle 92. This arrangement “clocks” the emitter 210 relative to the throttle 92 and helps facilitate concurrent movement between the emitter 210 and the throttle 92 about the central axis C. It will be appreciated that other configurations are contemplated for the emitter 210 besides those illustrated throughout the drawings. By way of non-limiting example, while the illustrated emitter 210 is realized as a magnet with an annular profile, in other embodiments the emitter 210 could be an insert with a cylindrical or other profile, manufactured from magnetic materials or other materials (e.g., steel), that is coupled directly to the throttle 92 or is coupled to a carrier (e.g., an annular ring made from plastic that is shaped similarly to the illustrated annular emitter 210) that is, in turn, coupled to the throttle 92. Other configurations are contemplated. Furthermore, it will be appreciated that certain embodiments described in the present disclosure could employ differently-configured throttle position sensors 208, realized with similar emitter/detector arrangements or with other sensor types, styles, and configurations (e.g., one or more potentiometers, encoders, and the like). Other configurations are contemplated.

Referring again to FIGS. 13-15, in the illustrated embodiment, the inner support 53 of the handle 52 defines a distal support end 230 and an opposing proximal support end 232. Here, the distal support end 230 is defined by a portion of the coupling body 176, and the proximal support end 232 is defined by a portion of the tubular member 166. Moreover, the handle body 55 defines a distal handle body end 234 and an opposing proximal handle body end 236. As noted above, the handle body 55 is defined by the first and second handle body members 55a, 55b in the illustrated embodiment, either or both of which define the distal and proximal handle body ends 234, 236. Furthermore, the throttle 92 defines a distal throttle end 238 and an opposing proximal throttle end 240 with a throttle chamber 242 (see FIG. 14) formed extending from the proximal throttle end 240 toward the distal throttle end 238. It will be appreciated that the throttle void 224 and the arc slots 196 of the throttle 92 are arranged adjacent to the distal throttle end 238 (see FIG. 13) such that the emitter 210 is coupled to the throttle 92 adjacent to the distal throttle end 238 and the detector 212 is arranged at least partially within the throttle chamber 242. In addition, and as is best depicted in FIG. 15, the bearing 178 is disposed in the throttle chamber 242 between the distal and proximal throttle ends 238, 240, and is arranged along the central axis C between the distal support end 230 (defined by the coupling body 176 of the inner support 53 as noted above) and the distal handle body end 234. As such, the inner support 53 extends at least partially into the throttle chamber 242 such that the proximal throttle end 240 is arranged between the distal and proximal support ends 230, 232. Here, it will be appreciated that the bearing 178 is completely disposed within the throttle chamber 242. This configuration helps ensure long life of the bearing 178 in that foreign contaminants such as dirt, liquids, and the like cannot readily enter into the throttle chamber 242 and travel toward the bearing 178 to otherwise cause inconsistent or degraded performance of the throttle assembly 93. In the illustrated embodiment, the bearing 178 is realized with a single, elongated needle bearing that is shaped and arranged to both facilitate rotation of the throttle 92 about the central axis C and also to ensure that force applied in directions generally transverse to the central axis C (e.g., via force applied to the throttle 92) do not result in deteriorated performance over time (e.g., bearing “slop” or “play”).

As shown in FIG. 15, the distal handle body end 234 of the handle body 55 is arranged between the distal and proximal throttle ends 238, 240 of the throttle 92 such that at least a portion of the handle body 55 is also disposed within the throttle chamber 242 adjacent to the bearing 178. Here, the throttle chamber 242 defines a proximal chamber region 244 having a proximal chamber diameter 246 (see FIG. 14), and the handle body 55 defines a distal pilot region 248 formed adjacent to the distal handle body end 234 and having a distal pilot diameter 250 (see FIG. 14) smaller than the proximal chamber diameter 246. This configuration defines a gap region, generally indicated at 252 in FIG. 15. Here, the throttle 92 further comprises a drip channel, generally indicated at 254, formed extending from the proximal throttle end 240 into communication with the gap region 252 and arranged to promote egress of contaminants entering into the gap region 252. As shown in FIG. 14, the drip channel 254 is “recessed” and has a larger diameter than the proximal chamber diameter 246 (not shown in detail). This configuration helps direct any contaminants out of the throttle chamber 242 that might enter into the gap region 252 during use. In some embodiments, the drip channel 254 is shaped and/or arranged such that movement of the handle 52 between the use position PU and the stow position PS (see FIG. 1) promotes egress of contaminants from the gap region 252. In some embodiments, one or more gaskets, seals, o-rings, and the like (not shown) may be provided in the throttle chamber 242, or in other portions of the throttle assembly 93 and/or handle 52, to further inhibit egress of contaminants toward the bearing 178, the interface sensor board 168, the throttle circuit board 214, and/or other components or structural features. Other configurations are contemplated.

Referring now to FIGS. 14-15, as noted above, the throttle biasing element 91 is interposed between the throttle 92 and the inner support 53 to urge the throttle toward the neutral throttle position N. To this end, and in the illustrated embodiment, the throttle biasing element 91 is realized as a torsion spring with first and second tangs 256, 258 that are each arranged to engage against a keeper stop element 260 formed on the keeper plate 180, and also against respective first and second throttle stop elements 262, 264 formed in the drip channel 254 of the throttle 92. Thus, the throttle biasing element 91 permits the throttle 92 to rotate about the central axis C in either of the first and second directions 94, 96 (see FIG. 12) as the user rotates the throttle 92 to the operating throttle positions 107 (see FIGS. 16B-16C), and biases, urges, or otherwise promotes movement of the throttle 92 back toward the neutral throttle position N (see FIG. 16A) in an absence of applied force to the throttle 92 by the user.

Referring now to FIGS. 12-15, the illustrated embodiment similarly employs one or more user interface sensors 88, 88A in communication with the controller 126 to determine engagement by the user with the throttle assembly 93 in order to, among other things, enable or disable rotation of the auxiliary wheel 64 via the auxiliary wheel drive system 90 and/or raise or lower the auxiliary wheel 64 relative to the support structure 22 via the lift actuator 66 based on determining engagement with the user as described in greater detail above in connection with FIGS. 1-10. However, in this embodiment, and as is best depicted in FIG. 15, the handle body 55 of the handle 52 defines an outer housing surface 266 configured to be gripped by the user and an inner housing surface 268 disposed adjacent to the inner support 53, and the user interface sensor 88 comprises a first conductive element 270 and a first sensor controller 272.

The first conductive element 270 is coupled to the inner housing surface 268 of the first handle body member 55a, and is disposed in electrical communication with the first sensor controller 272 as described in greater detail below.

In the illustrated embodiment, the first sensor controller 272 is supported on the interface sensor board 168, is coupled to the controller 126 (e.g., via wired electrical communication across the harness 170), and is configured to generate a first electrostatic field 274 with the first conductive element 270 to determine engagement of the throttle assembly 93 by the user in response to contact with the outer housing surface 266 adjacent to (but spaced from) the first conductive element 270 that nevertheless interacts with the first electrostatic field 274. Here, the outer housing surface 266 acts as an insulator (manufactured such as from plastic or another material configured for electrical insulation), and the user's hand acts as a conductor such that engagement therebetween results in a measurable capacitance that can be distinguished from an absence of user engagement with the first electrostatic field 274. Those having ordinary skill in the art will appreciate that this arrangement provides the user interface sensor 88 with a "solid state" capacitive-touch type configuration, which helps promote consistent determination of user engagement without requiring physical contact with electrical components. Here too, it will be appreciated that this configuration allows the various components of the user interface sensor 88 to remain out of physical contact with the user and generally unexposed to the environment.

Here too in this embodiment, the auxiliary user interface sensor 88a is similarly provided to determine engagement by the user separate from the determination by the user interface sensor 88. More specifically, in this embodiment, the user interface sensor 88 is arranged to determine user engagement with the handle body 55, whereas the auxiliary user interface sensor 88a is arranged to determine user engagement with the throttle 92. While similar in arrangement to the previously-described embodiments depicted in FIGS. 6A-7 in that the auxiliary user interface sensor 88a can be utilized to determine engagement adjacent to the thumb throttle interface 98a and/or the finger throttle interface 98b, in this embodiment the auxiliary user interface sensor 88a, similar to the user interface sensor 88, comprises a second conductive element 276 coupled to the inner housing surface 268 of the first handle body member 55a adjacent to the distal handle body end 234.

The second conductive element 276 is disposed in electrical communication with a second sensor controller 278, which is likewise supported on the interface sensor board 168 and is coupled to the controller 126 (e.g., via wired electrical communication across the harness 170). Here, the second sensor controller 278 is configured to generate a second electrostatic field 280 with the second conductive element 276 to determine engagement of the throttle assembly 93 by the user in response to contact with the outer housing surface 266 adjacent to (but spaced from) the second conductive element 276 that nevertheless interacts with the second electrostatic field 280.

As shown in FIG. 15, the first and second conductive elements 270, 276 are each realized by respective areas of conductive coating applied to the inner housing surface 268 of the first handle body member 55a of the handle body 55. As noted above, the tubular member 166 of the inner support 53 is provided with clearance apertures 172 through which fasteners 164 extend in order to secure the interface sensor board 168 to the first handle body member 55a. More specifically, in the illustrated embodiment, the first handle body member 55a comprises first and second bosses 282,

284 which depend from the inner housing surface 268 and into which the fasteners 164 extend (e.g., in threaded engagement). Here, the conductive coatings that respectively define the first and second conductive elements 270, 276 are applied both to the inner housing surface 268 as well as to the first and second bosses 282, 284 used to secure the interface sensor board 168. Here, the interface sensor board 168 is provided with first and second pads 286, 288 which respectively contact the conductive coatings applied to the first and second bosses 282, 284. The first and second pads 286, 288 are respectively coupled (e.g., disposed in electrical communication via a soldered connection) to the first and second sensor controllers 272, 278, thereby facilitating electrical communication with the first and second conductive elements 270, 276 via attachment of the interface sensor board 168 to the first handle body member 55a. Because the first and second bosses 282, 284 have the conductive coating applied to facilitate electrical communication, the clearance apertures 172 of the tubular member 166 are sized larger than the first and second bosses 282, 284 to prevent electrical contact therebetween (e.g., which might otherwise occur with metallic tubular members 166 manufactured such as from steel).

As noted above, the controller 126 is disposed in electrical communication with the interface sensor board 168 and also with the throttle circuit board 214 via the harness 170 such that the controller 126 is not necessarily disposed within the handle 52 and may be coupled to other portions of the patient transport apparatus 20 (see also FIG. 10). Similar to the controller 126, the first and second sensor controllers 272, 278 may be of a number of different types, styles, and/or configurations, defined by one or more electrical components such as processors, integrated circuits, and the like. In some embodiments, the first and second sensor controllers 272, 278 may be realized with a common electrical component (e.g., via separate I/O connections of the same processor, integrated circuit, and the like). In some embodiments, the first and second sensor controllers 272, 278 may not necessarily be supported on the interface sensor board 168. Similarly, in some embodiments, the first and second sensor controllers 272, 278 may be realized directly by the controller 126 (e.g., via separate I/O connections of the controller 126) rather than being coupled in communication with the controller 126. Other configurations are contemplated.

Furthermore, it will be appreciated that the controller 126 can directly or indirectly use the first and second sensor controllers 272, 278 to facilitate detecting, sensing, or otherwise determining user engagement with the handle body 55 and the throttle 92, respectively, of the throttle assembly 93 in a number of different ways, and can control operation of a number of different aspects of the patient transport apparatus 20 based on engagement with one or both of the user interface sensors 88, 88A based on communication with the first and second sensor controllers 272, 278 (e.g., electrical signals of various types). In some embodiments, the controller 126 is configured to operate the auxiliary wheel drive system 90 (see FIGS. 5A-5C) in response to movement of the throttle 92 from the neutral throttle position N (see FIGS. 8A and 16A) to the one or more operating throttle positions 107 (see FIGS. 8C, 8F, and 16B-16C) determined by the detector 212 of the throttle position sensor 208 during engagement simultaneously with the handle body 55 determined by the user interface sensor 88 and with the throttle 92 determined by the auxiliary user interface sensor 88a. Put differently, the controller 126 may be configured to "ignore" movement of the throttle 92 or otherwise inhibit operation of

the auxiliary wheel drive system **90** during an absence of engagement by the user with the throttle assembly **93** simultaneously determined by the user interface sensor **88** and the auxiliary user interface sensor **88a**. Thus, in some embodiments, the controller **126** will not drive the auxiliary wheel **64** via the motor **102** unless the user engages both the handle body **55** and the throttle **92** (e.g., at one of the thumb and throttle interfaces **98a**, **98b**). Other configurations are contemplated.

In some embodiments, the controller **126** is configured to operate the lift actuator **66** (see FIGS. **5A-5C**) in order to move the auxiliary wheel **64** from the retracted position **70** (see FIG. **5A**) to the deployed position **68** (see FIG. **5C**) in response to engagement by the user with at least one of the handle body **55** determined by the user interface sensor **88** and the throttle **92** determined by the auxiliary user interface sensor **88a**. Put differently, the controller **126** may be configured to drive the lift actuator **66** so as to move the auxiliary wheel **64** toward the deployed position **68** when the user engages either the throttle **92** and/or the handle body **55**. However, in some embodiments, even though the controller **126** may move the auxiliary wheel **64** to the deployed position **68** when the user engages only one of the throttle **92** and the handle body **55**, rotation of the auxiliary wheel **64** via the motor **102** may remain interrupted, disabled, or otherwise prevented in response to rotation of the throttle **92** determined via the throttle position sensor **208** until the controller **126** has determined that the user is engaging both the throttle **92** and the handle body **55**. Other configurations are contemplated.

In some embodiments, the controller **126** is configured to maintain the auxiliary wheel **64** in the deployed position **68** (see FIG. **5C**) in response to continued engagement by the user with the throttle assembly **93** determined by the user interface sensor **88** and/or by the auxiliary user interface sensor **88a**. Conversely, in some embodiments, the controller **126** is configured to operate the lift actuator **66** to move the auxiliary wheel **64** from the deployed position **68** toward the retracted position **70** during an absence of engagement by the user with either the handle body **55** determined by the user interface sensor **88** and/or with the throttle **92** determined by the auxiliary user interface sensor **88a**. Put differently, if the controller **126** moves the auxiliary wheel **64** to the deployed position **68** in response to determining user engagement with the throttle assembly **93**, and if the user subsequently disengages the throttle assembly **93** altogether, then the controller **126** may be configured to return the auxiliary wheel **64** to the retracted position **70** in response to sensing complete disengagement of the throttle assembly **93**. However, in some embodiments, the controller **126** may also move the auxiliary wheel **64** to the retracted position **70** (or to one of the intermediate positions **71**) in response to detecting partial user disengagement of the throttle assembly **93** (e.g., determining disengagement with the throttle **92** but not the handle body **55**, or vice-versa). Here too, other configurations are contemplated.

As noted above, the controller **126** utilizes the auxiliary wheel position sensor **146** to determine the relative position of the auxiliary wheel **64** between the deployed position **68** (see FIG. **5C**), the retracted position **70** (see FIG. **5A**) and the intermediate positions **71** therebetween (see FIG. **5B**). Accordingly, the controller **126** is also able to determine movement of the auxiliary wheel **64** via the auxiliary wheel position sensor **146** (e.g., while driving the lift actuator **66**). Referring now to FIGS. **12**, and **17A-17B**, as noted above, the status indicator **220** coupled to the throttle assembly **93** in the illustrated embodiment is employed to facilitate

communicating various changes in status of the auxiliary wheel drive system **90** to the user. In one embodiment, the status indicator **220** is operable by the controller **126** in (and between) a first output state **220a** (see FIG. **12**), a second output state **220b** (see FIG. **17a**), and a third output state **220c** (see FIG. **17b**). Each of the output states **220a**, **220b**, **220c** is different from the others and is configured to communicate a respective status of the auxiliary wheel drive system **90** to the user, as described in greater detail below.

In the exemplary embodiment described and illustrated herein, the first output state **220a** of the status indicator **220** indicates that the auxiliary wheel **64** is in the retracted position **70** (see FIG. **5A**), whereas the second output state **220b** generally indicates that the auxiliary wheel **64** is moving between the plurality of positions **68**, **70**, **71**, and the third output state **220c** generally indicates that the auxiliary wheel **64** is in the deployed position **68** (see FIG. **5C**). As will be appreciated from the subsequent description below, the status indicator **220** affords functionality that is similar to the auxiliary wheel position indicator **130** (see FIG. **6A**) described above in that the user can readily determine whether the auxiliary wheel **64** is deployed or not. In some embodiments, both the auxiliary wheel position indicator **130** and the status indicator **220** may be utilized. It is also contemplated that aspects of the status indicator **220** described in greater detail below could be implemented into the auxiliary wheel position indicator **130**. Other configurations are contemplated.

As noted above, the status indicator **220** comprises the one or more light modules **218** in the illustrated embodiment to selectively (e.g., driven by the controller **126**) emit light into the guide extension **192** of the light guide **188** which, in turn, directs the emitted light (e.g., via total internal reflection) out of the guide plate **190** and away from the center axis **C** so as to be readily observed by the user. In one embodiment, the first output state **220a** corresponds to or is otherwise further defined as an absence of light emission via the one or more light modules **218** (see FIG. **12**) such that no light is emitted out of the light guide **188** when the auxiliary wheel **64** is in the retracted position **70** (see FIG. **5A**), the second output state **220b** corresponds to or is otherwise further defined as a repeating sequence of light emission followed by an absence of light emission out of the light guide **188** via the one or more light modules **218** (see FIG. **17A**; light depicted with dashed lines to illustrate “blinking” emission) when the auxiliary wheel **64** is moving between the positions **68**, **70**, **71**; and the third output state **220c** corresponds to or is otherwise further defined as light emission out of the light guide **188** via the one or more light modules **218** (see FIG. **17B**; light depicted with solid lines to illustrate “constant” emission).

Accordingly, in this embodiment, the controller **126** is configured to operate the status indicator **220** in the first output state **220a** (see FIG. **12**) during an absence of engagement by the user with the throttle assembly **93** determined by the one or more user interface sensors **88a**, **88b**, and/or when the auxiliary wheel **64** is otherwise disposed in the retracted position **70** (see FIG. **5A**). Here, the status indicator **220** is “off” when the user is not utilizing or attempting to utilize the auxiliary wheel drive system **90**.

The controller **126** is also configured to operate the lift actuator **66** to move the auxiliary wheel **64** from the retracted position **70** (see FIG. **5A**) to the deployed position **68** (see FIG. **5C**) in response to engagement by the user with the throttle assembly **93** determined by the one or more user interface sensors **88**, **88a**. Here, while driving the lift actuator **66**, the controller **126** is also configured to simultane-

ously operate the status indicator 220 in the second output state 220b (see FIG. 17A) when the auxiliary wheel 64 is moving, such as in response to signals generated by the auxiliary wheel position sensor 146 that indicate movement of the auxiliary wheel 64 in response to corresponding actuation of the lift actuator 66. Here, the status indicator 220 is illuminated in a “blinking” fashion via light emitted from the one or more light modules 218 when the user engages the throttle assembly 93 and as the auxiliary wheel 64 is moving. This configuration readily indicates to the user that their engagement with the throttle assembly 93 has been recognized, which promotes significantly improved usability for applications which utilize “capacitive-touch” and other types of “solid state” user interface sensors 88, 88a that do not otherwise afford the user with tactile feedback (e.g., “feeling” movement of a momentary button, switch, and the like).

Furthermore, the controller 126 is also configured to operate the status indicator 220 in the third output state 220c (see FIG. 17B) in response to the auxiliary wheel 64 moving into or otherwise being in the deployed position 68 (see FIG. 5C) determined such as by the auxiliary wheel position sensor 146. Here, the status indicator 220 is illuminated in a “constant” fashion via light emitted from the one or more light modules 218 when the user remains in engagement with the throttle assembly 93 once the auxiliary wheel 64 reaches the deployed position 68 (see FIG. 5C). This configuration readily indicates to the user that their continued engagement with the throttle assembly 93 has been recognized while, at the same time, differentiating between the second output state 220b to indicate that the auxiliary wheel drive system 90 is “ready for use” after movement via the lift actuator 66 has been completed. This is particularly advantageous in applications where movement to the deployed position 70 is relatively slow because the user can readily appreciate that the auxiliary wheel drive system 90 is “not ready for use” whenever the status indicator 220 is blinking, and can similarly recognize that the auxiliary wheel drive system 90 is “ready for use” whenever the status indicator is illuminated without blinking.

While the first, second, and third output states 220a, 220b, 220c of the status indicator 220 correspond to different and distinguishable “types” of light emission via the one or more light modules 218, it will be appreciated that different “types” of light emission could be utilized to differentiate between output states, and/or that the status indicator 220 could comprise other and/or additional types of indicators sufficient to communicate different states to the user. By way of non-limiting example, the status indicator 220 may be configured to generate different types of audible (e.g., to generate different types of “beeping” sounds via a speaker) and/or tactile feedback (e.g., to generate different types of haptic patterns such as by a vibrating motor) that can be observed by the user. Furthermore, it is contemplated that, in some embodiments, fewer or more than three output states could be utilized, and could be attributed to different types of status indicators 220. By way of non-limiting example, rather than “blinking” during movement of the lift actuator 66, the one or more light modules 218 could remain “off” while a vibrating motor “pulses” until the deployed position 68 is reached and the one or more light modules 218 then turn “on” and the vibrating motor stops. Other configurations are contemplated.

As noted above, the battery 128 (depicted schematically in FIG. 10) is employed to facilitate supplying power to the auxiliary wheel drive system 90 and the lift actuator 66, and is also generally disposed in electrical communication with

the controller 126. Here, the controller 126 is configured to determine a level of charge of the battery 128 between various predetermined charge thresholds. In some embodiments, a first predetermined charge threshold 290 is defined by the battery 128 being less than fully charged but sufficiently charged to generally facilitate operation of the auxiliary wheel drive system 90 and the lift actuator 66 (e.g., with enough charge to propel the patient transport apparatus 20 along a typical route, such as across a hospital). Similarly, in some embodiments, a second predetermined charge threshold 292 is defined by the battery being depleted to the point where there is insufficient charge to facilitate operation of the auxiliary wheel drive system 90 and/or the lift actuator 66 (e.g., without enough charge to propel the patient transport apparatus 20 along a typical route, such as across a hospital). In some embodiments, such as those depicted in FIGS. 12 and 17A-18B, one or more portions of the handle 52 (and/or another user interface 50) comprises a battery charge indicator 294 comprising a plurality of segments 296 (e.g., realized with single or multi-color light emitting diodes LEDs) to communicate a relative charge of the battery 128 to the user. As will be appreciated from the subsequent description below, for illustrative purposes, the battery charge indicator 294 is depicted in FIGS. 12 and 17A-17B with four “illuminated” segments 296 to indicate that the battery 128 is “fully charged” at a level above both the first and second predetermined charge thresholds 290, 292. On the other hand, the battery charge indicator 294 is depicted in FIGS. 18A-18B with two “illuminated” segments 296 to indicate that the battery 128 is “half charged” at a level between the first and second predetermined charge thresholds 290, 292.

In some embodiments, the status indicator 220 is further operable in an auxiliary second output state 220d (see FIG. 18A), different from the second output state 220b (see FIG. 17A), to indicate to the user that the auxiliary wheel 64 is moving between the positions 68, 70, 72 when the controller 126 determines that the battery 128 has a level of charge below the predetermined first charge threshold 290. Here, the status indicator 220 is also operable in an auxiliary third output state 220e (see FIG. 18B), different from the third output state 220c (see FIG. 17B), to indicate to the user that the auxiliary wheel 64 is in the deployed position 68 (see FIG. 5C) when the controller 126 determines that the battery 128 has a level of charge below the predetermined first charge threshold 290. Put differently, the second output state 220b (see FIG. 17A) and the auxiliary second output state 220d (see FIG. 18A) are similar in that they are both configured to communicate to the user that their engagement with the throttle assembly 93 was recognized and that the lift actuator 66 is moving, while remaining distinguishable from each other (and from each of the other output states) to communicate additional information to the user relating to the level of charge of the battery 128. Similarly, the third output the second output state 220c (see FIG. 17B) and the auxiliary third output state 220e (see FIG. 18B) are similar in that they are both configured to communicate to the user that the auxiliary wheel 64 has been deployed and the auxiliary wheel drive system 90 is “ready for use” while remaining distinguishable from each other (and from each of the other output states) to communicate additional information to the user relating to the level of charge of the battery 128.

In some embodiments, the second output state 220b (see FIG. 17A) is further defined as a repeating sequence of light emission in a first color followed by an absence of light emission (e.g., “blinking” green light emitted via the one or

more light modules 218), and the auxiliary second output state 220d (see FIG. 18A) is further defined as a repeating sequence of light emission in a second color followed by an absence of light emission (e.g., “blinking” amber light emitted via the one or more light modules 218). For illustrative purposes, FIG. 17A depicts “blinking green light” emission with a single set of dashed lines, whereas FIG. 18A depicts “blinking amber light” emission with a double set of dashed lines. Furthermore, in some embodiments, the third output state 220c (see FIG. 17B) is further defined as light emission in the first color (e.g., “constant” green light emitted via the one or more light modules 218), and the auxiliary third output state 220e (see FIG. 18B) is further defined as light emission in the second color (e.g., “constant” amber light emitted via the one or more light modules 218). For illustrative purposes, FIG. 17B depicts “constant green light” emission with a single set of solid lines, whereas FIG. 18B depicts “constant amber light” emission with a double set of solid lines.

With the configuration described above, the user can readily determine the relative charge level of the battery 128 after engaging the throttle assembly 93 based, in the illustrated embodiment, on the color of the light emitted by the status indicator 220. Thus, in this embodiment, observing green light emitted from the status indicator 220 indicates to the user that charging is not immediately required, whereas observing amber light emitted from the status indicator 220 indicates to the user that the battery 128 is sufficiently charged to operate the auxiliary wheel drive system 90 but charging may be required after a certain amount of use. In some embodiments, the controller 126 may also be configured to operate the status indicator 220 in other output states (e.g., to emit “blinking red light”) in response to user engagement with the throttle assembly 93 determined by the one or more user interface sensors 88, 88a whenever the battery 128 charge has been depleted to a level below the second predetermined charge threshold 292. Here in this illustrative example, rather than moving the lift actuator 66 to bring the auxiliary wheel 64 toward the deployed position 68 when the battery 128 is “close to dead,” the emission of “blinking red light” communicates to the user that the battery 128 needs to be charged while still acknowledging their engagement with the one or more user interface sensors 88, 88a. Other configurations are contemplated. Furthermore, in some embodiments, the controller 126 is further configured to operate the lift actuator 66 to move the auxiliary wheel to the retracted position 70 (see FIG. 5A) in response to the battery 128 being below the second predetermined charge threshold 292 irrespective of engagement by the user with the throttle assembly 93 determined by the one or more user interface sensors 88, 88a. Put differently, if the battery 128 charge is depleted significantly during use, the controller 126 can retract the auxiliary wheel 64 via the lift actuator 66 so as not to inhibit the user’s ability to “manually” propel the patient transport apparatus 20 without the auxiliary wheel drive system 90.

It will be appreciated that other types of light emission via the one or more light modules 218 are contemplated by the present disclosure besides those described herein with respect to the output states 220a, 220b, 220c, 220d, 220e. By way of non-limiting example, light emission could occur in a variety of different colors, at different brightness levels, at different frequencies, in different patterns, and/or various combinations of each, sufficient to differentiate from each other in a way that can be observed by the user. By way of illustrative example, in addition to changing color when operating in the auxiliary second output state 220d, the

controller 126 could also be configured to “blink” at a faster speed compared to when operating in the second output state 220b. Furthermore, while the first output state 220a is described and illustrated herein as an absence of light emission, light could alternatively be emitted in the first output state 220a sufficient to differentiate from the other output states (e.g., at a relatively dim brightness level, in another color, and the like). Other configurations are contemplated.

In the embodiment illustrated in FIGS. 12 and 17A-18B, a lift interface, generally indicated at 298, is operatively attached to the handle body 55 and is disposed in spaced relation to the throttle 92. Here, the lift interface 298 comprises first and second lift buttons 300, 302 arranged for engagement by the user and disposed in electrical communication with the controller 126 to facilitate operation of the bed lift actuator 37a of the lift assembly 37 to respectively raise and lower the support frame 36 relative to the base 24 (see FIG. 1). Here too, the lift interface 298 comprises the battery charge indicator 294 which, as noted above, comprises the plurality of segments 296. In some embodiments, the first and second lift buttons 300, 302 comprise capacitive touch sensors, and the controller 126 is configured to drive the bed lift actuator 37a of the lift assembly 37 in response to engagement by the user. Other configurations are contemplated.

In some embodiments, a handle position sensor 304 is coupled to one or more of the user interfaces 50 (e.g., the first and second handles 52, 54) to determine movement relative to the intermediate frame 26, or another part of the patient transport apparatus 20, between the use position PU arranged for engagement by the user, and the stow position PS (depicted in phantom in FIG. 1). Here, the handle position sensor 304 is disposed in communication with the controller 126 which, in turn, may be configured to enable/disable various aspects of the throttle assembly 93, the lift interface 298, and the like based on the relative position of the handle 52. By way of non-limiting example, the controller 126 may be configured to ignore rotation of the throttle 92 determined by the throttle position sensor 208 when the handle position sensor 304 determines that the handle 52 is not in the use position PU. In some embodiments, the handle position 304 is realized with one or more inertial sensors, such as accelerometers, gyroscopes, and the like. However, other configurations are contemplated.

In this way, the embodiments described herein afford significant advantages in a number of different applications where patient transport apparatus 20 are utilized.

It will be further appreciated that the terms “include,” “includes,” and “including” have the same meaning as the terms “comprise,” “comprises,” and “comprising.” Moreover, it will be appreciated that terms such as “first,” “second,” “third,” and the like are used herein to differentiate certain structural features and components for the non-limiting, illustrative purposes of clarity and consistency.

Several configurations have been discussed in the foregoing description. However, the configurations discussed herein are not intended to be exhaustive or limit the invention to any particular form. The terminology which has been used is intended to be in the nature of words of description rather than of limitation. Many modifications and variations are possible in light of the above teachings and the invention may be practiced otherwise than as specifically described.

What is claimed is:

1. A patient transport apparatus comprising:
 - a support structure including a base supporting a plurality of wheels arranged for movement along a floor surface;

a drive member coupled to the support structure and being configured to influence motion of the patient transport apparatus along the floor surface;

a drive system coupled to the drive member to drive the drive member relative to the support structure;

an actuator coupled to the support structure and to the drive member, with the actuator operable to move the drive member between a plurality of positions including a deployed position engaging the floor surface and a retracted position spaced from the floor surface;

a throttle assembly including a handle body coupled to the support structure and configured to be gripped by a user, and a throttle rotatable relative to the handle body between a neutral throttle position and one or more operating throttle positions to influence motion of the patient transport apparatus over the floor surface;

a user interface sensor coupled to the handle body of the throttle assembly and configured to generate one or more signals responsive to user engagement with the handle body of the throttle assembly; and

a controller coupled to the actuator and the user interface sensor, with the controller configured to:

- operate the actuator to move the drive member to the deployed position in response to the one or more signals generated by the user interface sensor indicating user engagement with the handle body of the throttle assembly, and
- operate the drive system to drive the drive member based on rotation of the throttle from the neutral throttle position to one of the one or more operating throttle positions to drive the patient transport apparatus over the floor surface.

2. The patient transport apparatus of claim 1, wherein the drive member is further defined as an auxiliary wheel.

3. The patient transport apparatus of claim 1, wherein the controller is configured to maintain the drive member in the deployed position during an absence of change to the one or more signals generated by the user interface sensor indicating continued user engagement with the throttle assembly.

4. The patient transport apparatus of claim 1, wherein the controller is configured

- to operate the actuator to move the drive member away from the deployed position in response to changes in the one or more signals generated by the user interface sensor indicating disengagement of the throttle assembly.

5. The patient transport apparatus of claim 4, wherein the controller is configured to maintain the drive member in the retracted position during an absence of change to the one or more signals generated by the user interface sensor indicating continued disengagement of the throttle assembly.

6. The patient transport apparatus of claim 1, further comprising:

- a brake member coupled to the support structure; and
- a brake actuator coupled to the brake member to move the brake member between:
 - a released position to permit movement of the patient transport apparatus along the floor surface, and
 - a braked position to at least partially inhibit movement of the patient transport apparatus along the floor surface.

7. The patient transport apparatus of claim 6, wherein the controller is disposed in communication with the brake actuator and is configured to operate the brake actuator to move the brake member from the braked position to the released position in response to the one or more signals

generated by the user interface sensor indicating user engagement with the throttle assembly.

8. The patient transport apparatus of claim 7, further comprising a drive member position sensor to determine movement of the drive member between the plurality of positions; and

- wherein the controller is disposed in communication with the drive member position sensor and is configured to operate the brake actuator to move the brake member to the released position in response to the drive member position sensor indicating that the drive member is in one of the plurality of positions between the deployed position and the retracted position.

9. The patient transport apparatus of claim 1, wherein the actuator is operable to move the drive member to a fully retracted position and a partially retracted position between the deployed position and the fully retracted position with the drive member being closer to the floor surface when in the partially retracted position than when in the fully retracted position.

10. The patient transport apparatus of claim 9, wherein the controller is configured to operate the actuator to temporarily hold the drive member at the partially retracted position for a predetermined duration when the drive member moves from the deployed position.

11. The patient transport apparatus of claim 1, wherein the controller is configured to operate the drive system to drive the drive member when the drive member is in the deployed position.

12. The patient transport apparatus of claim 11, wherein the actuator is operable to move the drive member to a fully deployed position and a partially deployed position between the fully deployed position and the retracted position with the drive member engaging the floor surface with less force when in the partially deployed position than when in the fully deployed position.

13. The patient transport apparatus of claim 1, further comprising a battery;

- wherein the drive system comprises a motor coupled to the drive member; and
- wherein the controller is configured to operate the motor with power from the battery to drive the drive member and move the support structure along the floor surface.

14. The patient transport apparatus of claim 1, further comprising:

- a drive member position sensor to generate a position signal representing a current position of the drive member between the plurality of positions, and
- a progress indicator; and
- wherein the controller is disposed in communication with the drive member position sensor and the progress indicator and is configured to operate the progress indicator to display the current position of the drive member between the plurality of positions based on the position signal generated by the drive member position sensor.

15. The patient transport apparatus of claim 1, wherein the user interface sensor comprises one of a force sensor, an optical sensor, an electromagnetic sensor, an accelerometer, a potentiometer, an infrared sensor, a capacitive sensor, and an ultrasonic sensor.

16. The patient transport apparatus of claim 1, wherein the throttle assembly includes an indicia arranged on the handle body to indicate a location for user engagement.