



(12) **United States Patent**
Stamm et al.

(10) **Patent No.:** US 11,806,068 B2
(45) **Date of Patent:** Nov. 7, 2023

(54) **ENERGY-BASED SURGICAL INSTRUMENT FOR GRASPING, TREATING, AND/OR DIVIDING TISSUE**

(58) **Field of Classification Search**
CPC . A61B 18/085; A61B 18/1445; A61B 18/149; A61B 2018/1455; A61B 18/1442;
(Continued)

(71) Applicant: **Covidien LP**, Mansfield, MA (US)

(56) **References Cited**

(72) Inventors: **Stephen J. Stamm**, Wheat Ridge, CO (US); **Purvishkumar H. Soni**, Longmont, CO (US); **Benjamin R. Arts**, Lafayette, CO (US); **Alyssa M. Sawyer**, Broomfield, CO (US); **Jessica E. C. Olson**, Frederick, CO (US); **Amir Roomi**, Boulder, CO (US); **Scott N. Lacosta**, Lafayette, CO (US); **Terry M. Duffin**, Westminster, CO (US); **Mark E. Renner**, Longmont, CO (US); **John A. Hammerland, III**, Arvada, CO (US); **Michelle Esponda**, Lafayette, CO (US)

U.S. PATENT DOCUMENTS

3,100,489 A 8/1963 Bagley
D249,549 S 9/1978 Pike
(Continued)

OTHER PUBLICATIONS

International Search Report and Written Opinion issued in corresponding International Application No. PCT/US2021/063323 dated Mar. 31, 2022, 15 pages.

(Continued)

Primary Examiner — Khadijeh A Vahdat

(74) *Attorney, Agent, or Firm* — Carter, DeLuca & Farrell LLP

(73) Assignee: **Covidien LP**, Mansfield, MA (US)

(*) Notice: Subject to any disclaimer, the term of this patent is extended or adjusted under 35 U.S.C. 154(b) by 324 days.

(57) **ABSTRACT**

A surgical instrument includes a movable handle movable relative a housing to manipulate an end effector assembly, and a latch assembly. The latch assembly includes a latch arm including a latch post, and a latch track defining an entry path, a latching path, a saddle, an un-latching path, and a return path. The latch post moves through the entry path, the latching path, and into the saddle upon movement of the movable handle from an un-actuated position to an over-actuated position and back to an actuated position to lock the movable handle. The latch post moves from the saddle through the un-latching path and the return path upon movement of the movable handle from actuated position to the over-actuated position and back to the un-actuated position. The return path includes a ramped surface configured to inhibit reverse travel of the latch post into the return path.

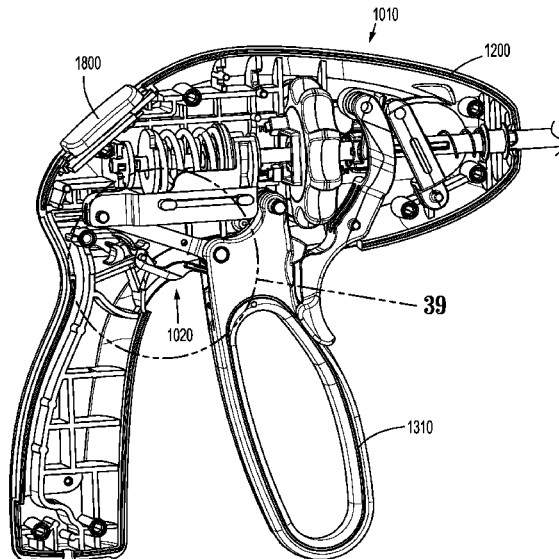
(21) Appl. No.: 17/122,062

(22) Filed: Dec. 15, 2020

(65) **Prior Publication Data**
US 2022/0183744 A1 Jun. 16, 2022

20 Claims, 27 Drawing Sheets

(51) **Int. Cl.**
A61B 18/00 (2006.01)
A61B 18/14 (2006.01)
(52) **U.S. Cl.**
CPC *A61B 18/1442* (2013.01); *A61B 2018/00053* (2013.01); *A61B 2018/0091* (2013.01); *A61B 2560/0266* (2013.01)



- (58) **Field of Classification Search**
 CPC A61B 2018/00053; A61B 2018/00178;
 A61B 2018/00202; A61B 2018/0091;
 A61B 2017/2929; A61B 2017/2946;
 A61B 2560/0266
 See application file for complete search history.

(56) **References Cited**
 U.S. PATENT DOCUMENTS

D263,020 S	2/1982	Rau, III	D582,038 S	12/2008	Swoyer et al.
4,461,297 A	7/1984	Sutter	7,628,791 B2	12/2009	Garrison et al.
4,461,305 A	7/1984	Cibley	D617,900 S	6/2010	Kingsley et al.
D295,893 S	5/1988	Sharkany et al.	D617,901 S	6/2010	Unger et al.
D295,894 S	5/1988	Sharkany et al.	D617,902 S	6/2010	Twomey et al.
D298,353 S	11/1988	Manno	D617,903 S	6/2010	Unger et al.
D299,413 S	1/1989	DeCarolis	D618,798 S	6/2010	Olson et al.
5,122,139 A	6/1992	Sutter	D621,503 S	8/2010	Otten et al.
5,201,743 A	4/1993	Haber et al.	D627,462 S	11/2010	Kingsley
5,211,655 A	5/1993	Hasson	D628,289 S	11/2010	Romero
D343,453 S	1/1994	Noda	D628,290 S	11/2010	Romero
D348,930 S	7/1994	Olson	D630,324 S	1/2011	Reschke
D349,341 S	8/1994	Lichtman et al.	7,922,718 B2	4/2011	Moses et al.
D354,564 S	1/1995	Medema	D649,249 S	11/2011	Guerra
5,383,875 A	1/1995	Bays et al.	D649,643 S	11/2011	Allen, IV et al.
D358,887 S	5/1995	Feinberg	8,152,806 B2	4/2012	Black et al.
5,454,827 A	10/1995	Aust et al.	D661,394 S	6/2012	Romero et al.
5,478,351 A	12/1995	Meade et al.	8,728,118 B2	5/2014	Hinman et al.
5,512,721 A	4/1996	Young et al.	8,814,865 B2	8/2014	Reschke
5,601,601 A	2/1997	Tal et al.	8,939,973 B2	1/2015	Garrison et al.
D384,413 S	9/1997	Zlock et al.	8,945,126 B2	2/2015	Garrison et al.
5,746,739 A	5/1998	Sutter	8,945,127 B2	2/2015	Garrison et al.
H1745 H	8/1998	Paraschac	9,089,327 B2	7/2015	Worrell et al.
D402,028 S	12/1998	Grimm et al.	9,101,385 B2	8/2015	Shelton, IV et al.
5,849,022 A	12/1998	Sakashita et al.	9,113,907 B2	8/2015	Allen, IV et al.
D408,018 S	4/1999	McNaughton	9,113,937 B2	8/2015	Collings et al.
5,891,140 A	4/1999	Ginn et al.	9,124,013 B2	9/2015	Frushhour et al.
5,891,142 A	4/1999	Eggers et al.	9,241,728 B2	1/2016	Price et al.
5,954,736 A	9/1999	Bishop et al.	9,241,732 B2	1/2016	Craig
D416,089 S	11/1999	Barton et al.	9,259,263 B2	2/2016	Anderson et al.
6,010,516 A	1/2000	Hulka	9,259,266 B2	2/2016	Schmaltz et al.
D424,694 S	5/2000	Tetzlaff et al.	9,265,566 B2	2/2016	O'Neill et al.
D425,201 S	5/2000	Tetzlaff et al.	9,265,570 B2	2/2016	Heard
6,106,542 A	8/2000	Toybin	9,368,004 B2	6/2016	Plaven
6,117,158 A	9/2000	Measamer et al.	9,370,393 B2	6/2016	Chojin et al.
H1904 H	10/2000	Yates et al.	9,375,205 B2	6/2016	Mueller
D449,886 S	10/2001	Tetzlaff et al.	9,375,227 B2	6/2016	Garrison et al.
D453,923 S	2/2002	Olson	9,375,256 B2	6/2016	Cunningham et al.
D454,951 S	3/2002	Bon	9,375,259 B2	6/2016	Payne et al.
D457,958 S	5/2002	Dycus et al.	9,375,260 B2	6/2016	Kerr
D457,959 S	5/2002	Tetzlaff et al.	9,375,262 B2	6/2016	Reschke et al.
H2037 H	7/2002	Yates et al.	9,456,863 B2	10/2016	Moua
D465,281 S	11/2002	Lang	9,468,453 B2	10/2016	Hart et al.
D466,209 S	11/2002	Bon	9,480,522 B2	11/2016	Horner et al.
D493,888 S	8/2004	Reschke	9,492,225 B2	11/2016	Dycus et al.
D496,997 S	10/2004	Dycus et al.	9,498,281 B2	11/2016	Kendrick
D499,181 S	11/2004	Dycus et al.	9,526,564 B2	12/2016	Rusin
D502,994 S	3/2005	Blake, III	9,549,749 B2	1/2017	Kendrick
D509,297 S	9/2005	Wells	9,549,775 B2	1/2017	Dumbauld et al.
D525,361 S	7/2006	Hushka	9,554,845 B2	1/2017	Arts
7,083,613 B2	8/2006	Treat	9,572,529 B2	2/2017	Latimer et al.
D531,311 S	10/2006	Guerra et al.	9,579,145 B2	2/2017	Johnson et al.
D533,274 S	12/2006	Visconti et al.	9,608,395 B2	3/2017	Overweg
D533,942 S	12/2006	Kerr et al.	9,622,810 B2	4/2017	Hart et al.
D535,027 S	1/2007	James et al.	9,649,174 B2	5/2017	Swarup et al.
7,166,106 B2	1/2007	Bartel et al.	9,655,673 B2	5/2017	McCullough, Jr. et al.
D538,932 S	3/2007	Malik	9,844,888 B2	12/2017	Pesavento et al.
D541,418 S	4/2007	Schechter et al.	9,901,359 B2	2/2018	Faller et al.
D541,611 S	5/2007	Aglassinger	10,211,586 B2	2/2019	Adams et al.
D541,938 S	5/2007	Kerr et al.	10,314,643 B2	6/2019	Amann et al.
7,211,079 B2	5/2007	Treat	10,317,927 B2	6/2019	Lamser et al.
D545,432 S	6/2007	Watanabe	10,478,984 B2	11/2019	Pesavento et al.
D547,154 S	7/2007	Lee	10,500,748 B2	12/2019	Pesavento et al.
D564,662 S	3/2008	Moses et al.	10,517,664 B2	12/2019	Nagtegaal
D567,943 S	4/2008	Moses et al.	10,524,852 B1	1/2020	Cagle et al.
D575,395 S	8/2008	Hushka	10,610,290 B2	4/2020	Bjorn-Rasmussen et al.
D575,401 S	8/2008	Hixson et al.	10,617,465 B2	4/2020	Nagtegaal et al.
			10,631,861 B2	4/2020	Shelton, IV et al.
			10,653,477 B2	5/2020	Nagtegaal
			10,687,886 B2	6/2020	McCullough, Jr. et al.
			2002/0188294 A1	12/2002	Couture et al.
			2003/0018331 A1	1/2003	Dycus et al.
			2003/0109875 A1	6/2003	Tetzlaff et al.
			2003/0171747 A1	9/2003	Kanehira et al.
			2003/0229344 A1	12/2003	Dycus et al.
			2004/0082952 A1*	4/2004	Dycus A61B 18/1445 606/171
			2004/0176762 A1	9/2004	Lawes et al.
			2004/0243125 A1	12/2004	Dycus et al.

(56)

References Cited

U.S. PATENT DOCUMENTS

2005/0154387	A1	7/2005	Moses et al.	
2007/0043352	A1*	2/2007	Garrison	A61B 18/085 606/171
2007/0260241	A1	11/2007	Dalla Betta et al.	
2008/0009860	A1	1/2008	Odom	
2008/0114349	A1	5/2008	Treat	
2008/0215048	A1	9/2008	Hafner et al.	
2008/0262491	A1	10/2008	Swoyer et al.	
2009/0088792	A1	4/2009	Hoell, Jr. et al.	
2010/0030205	A1	2/2010	Herzon	
2010/0179540	A1	7/2010	Marczyk et al.	
2011/0184459	A1	7/2011	Malkowski et al.	
2011/0190765	A1	8/2011	Chojin	
2011/0251613	A1	10/2011	Guerra et al.	
2011/0301592	A1	12/2011	Kerr et al.	
2012/0022524	A1	1/2012	Timm et al.	
2012/0022529	A1	1/2012	Shelton, IV et al.	
2012/0136347	A1	5/2012	Brustad et al.	
2013/0018411	A1	1/2013	Collings et al.	
2013/0325057	A1	12/2013	Larson et al.	
2014/0094798	A1	4/2014	Garrison et al.	

2014/0100564	A1	4/2014	Garrison
2014/0100568	A1	4/2014	Garrison
2014/0100569	A1	4/2014	Lawes et al.
2014/0107443	A1	4/2014	Hoarau et al.
2014/0107648	A1	4/2014	Harper et al.
2014/0121507	A1	5/2014	Nau, Jr.
2014/0135763	A1	5/2014	Kappus et al.
2014/0194875	A1	7/2014	Reschke et al.
2014/0221994	A1	8/2014	Reschke
2014/0230243	A1	8/2014	Roy et al.
2014/0236149	A1	8/2014	Kharin et al.
2014/0257284	A1	9/2014	Artale
2014/0276803	A1	9/2014	Hart
2014/0353188	A1	12/2014	Reschke et al.
2015/0018816	A1	1/2015	Latimer
2015/0133993	A1	5/2015	Twomey
2019/0298437	A1	10/2019	Boone et al.

OTHER PUBLICATIONS

International Preliminary Report on Patentability and Written Opinion issued in corresponding International Application No. PCT/US2021/063323 dated Jun. 29, 2023, 8 pages.

* cited by examiner

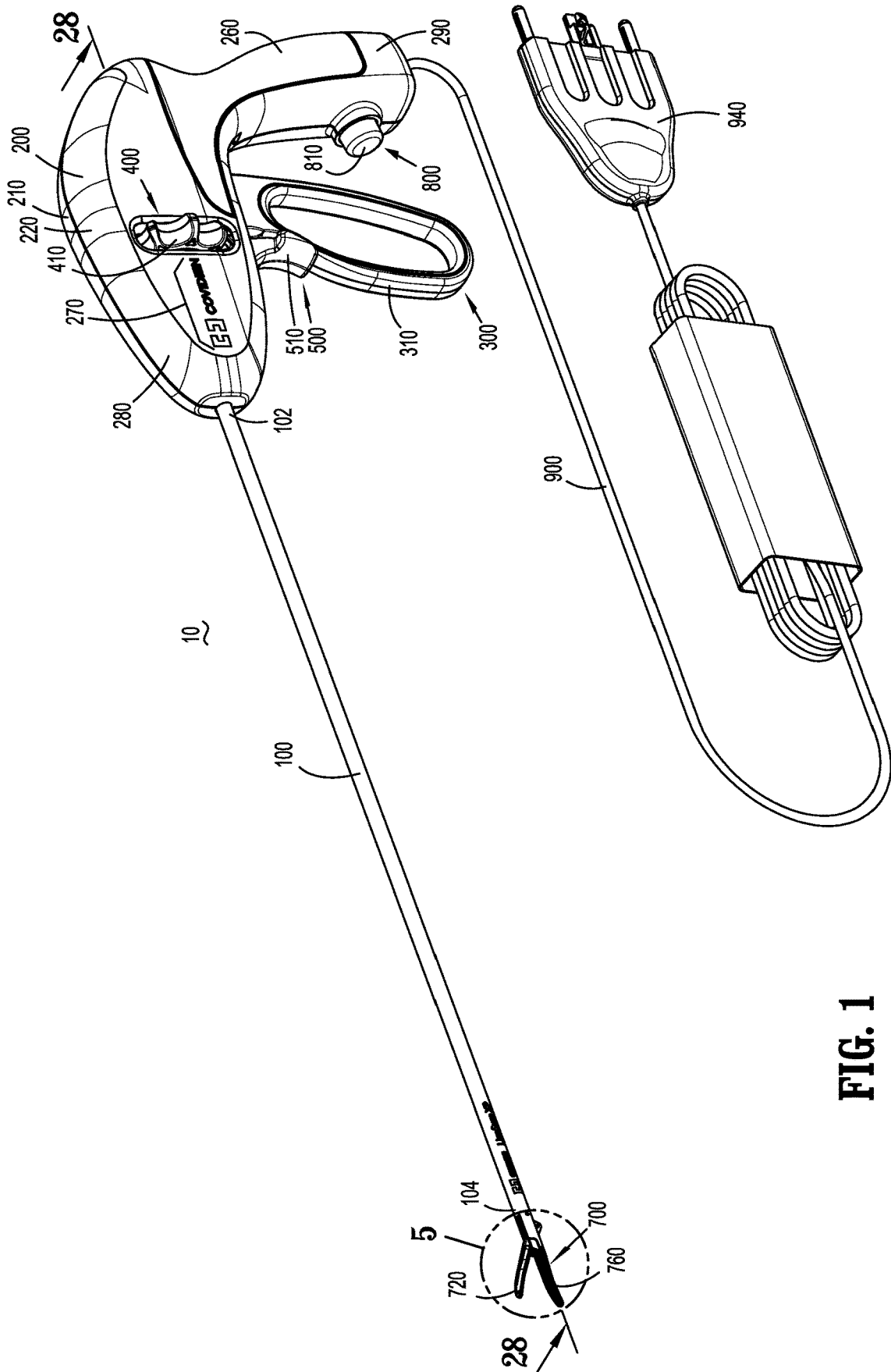


FIG. 1

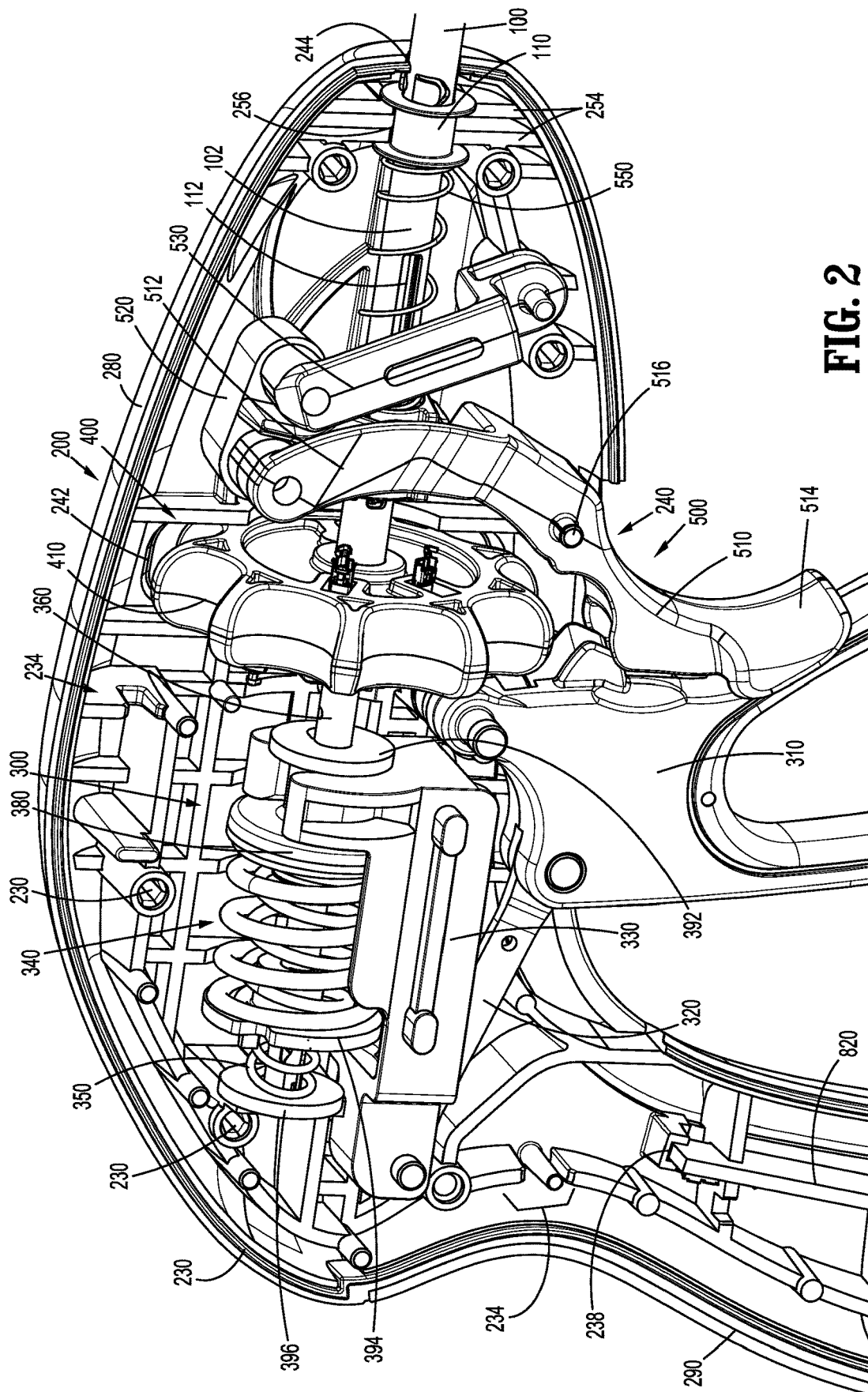


FIG. 2

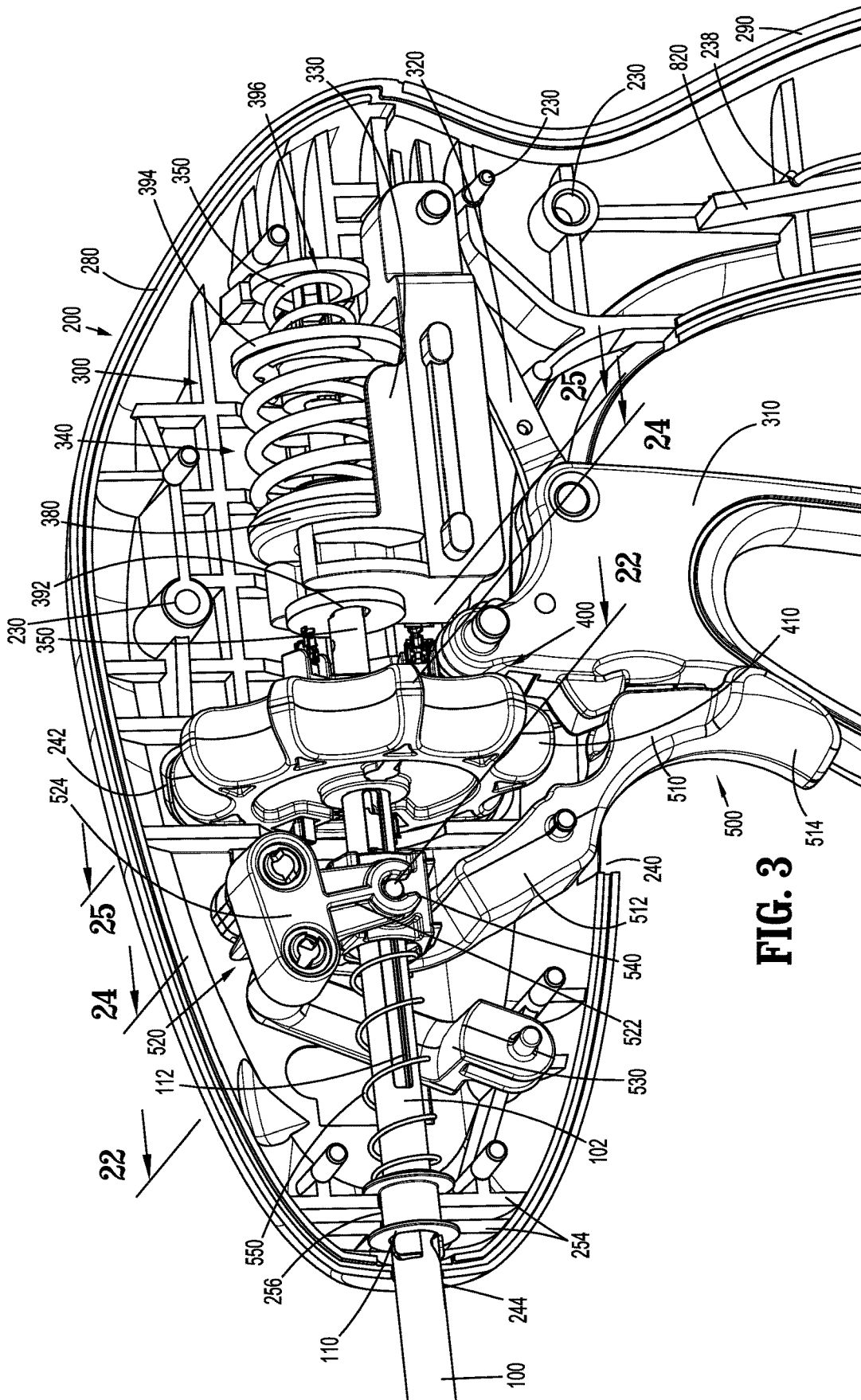


FIG. 3

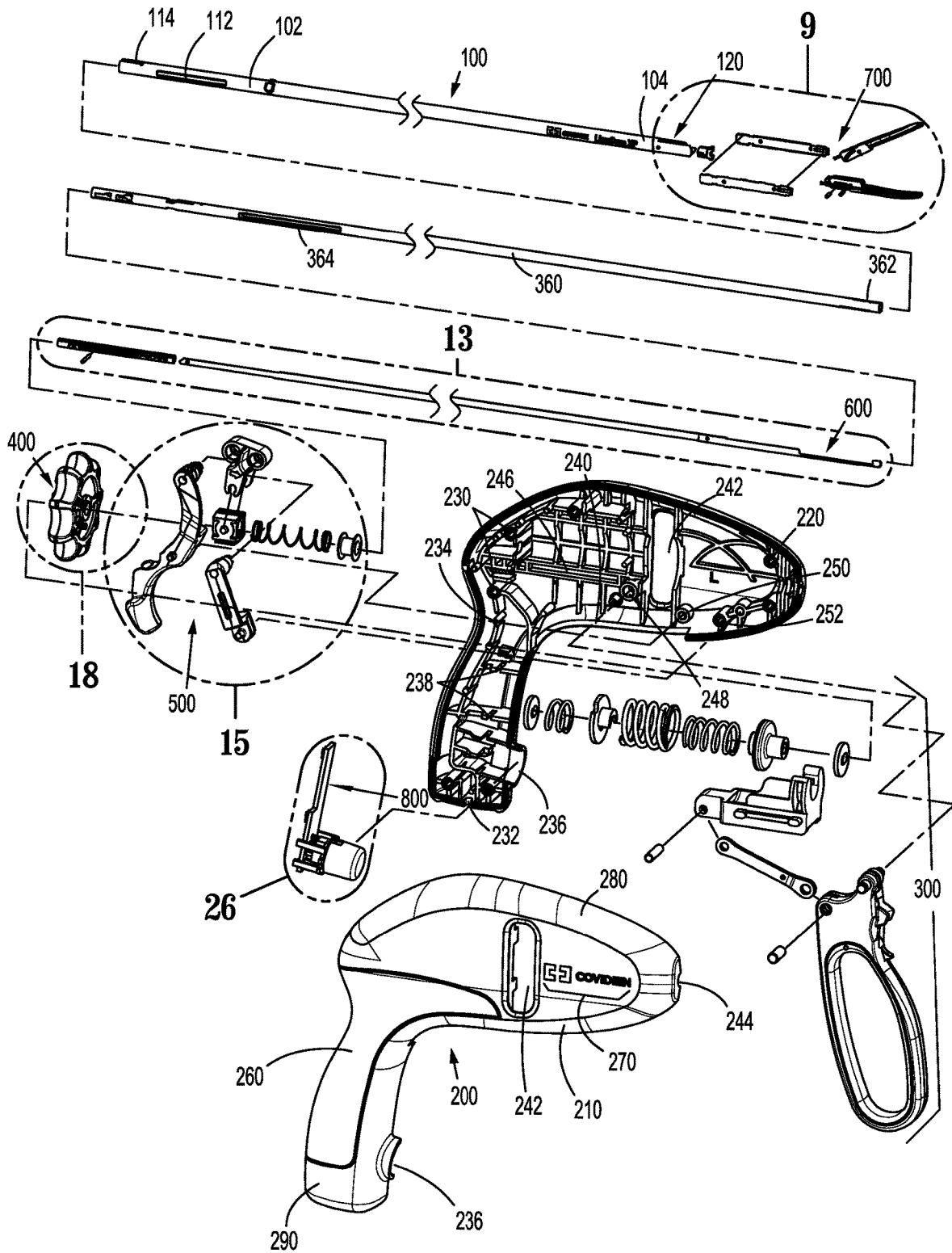


FIG. 4

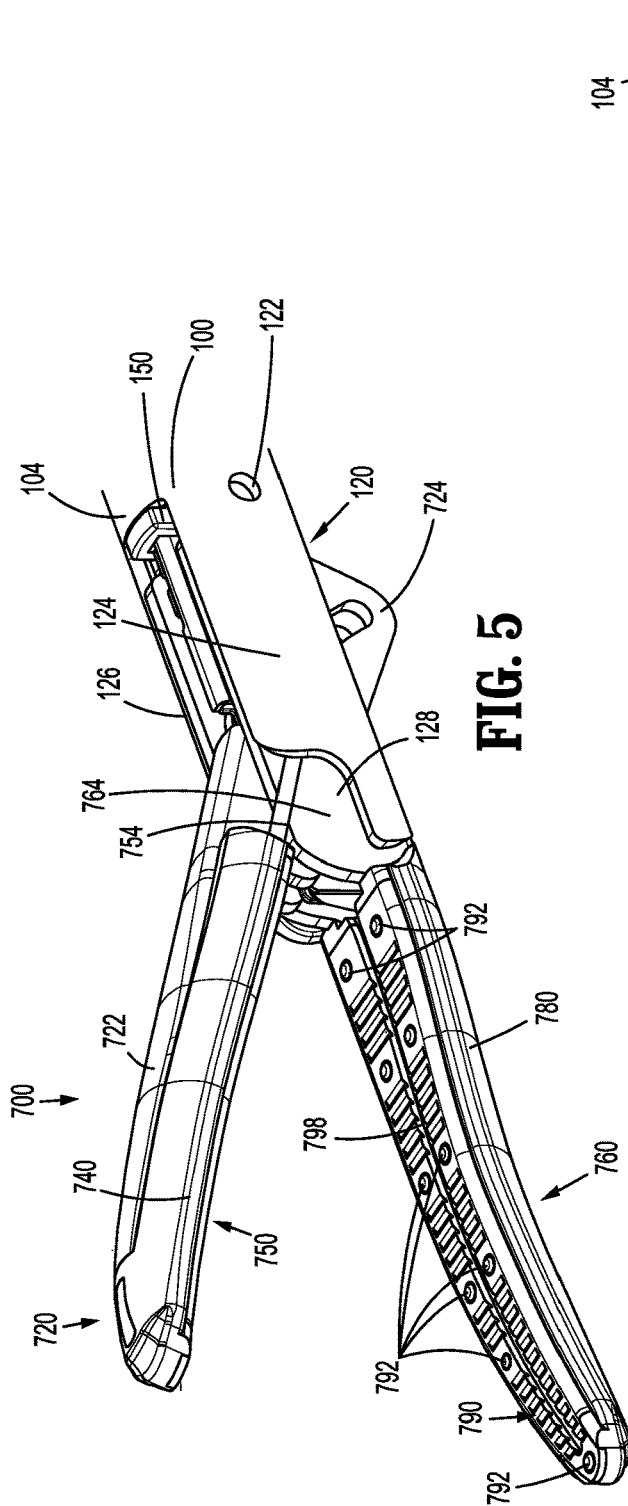


FIG. 5

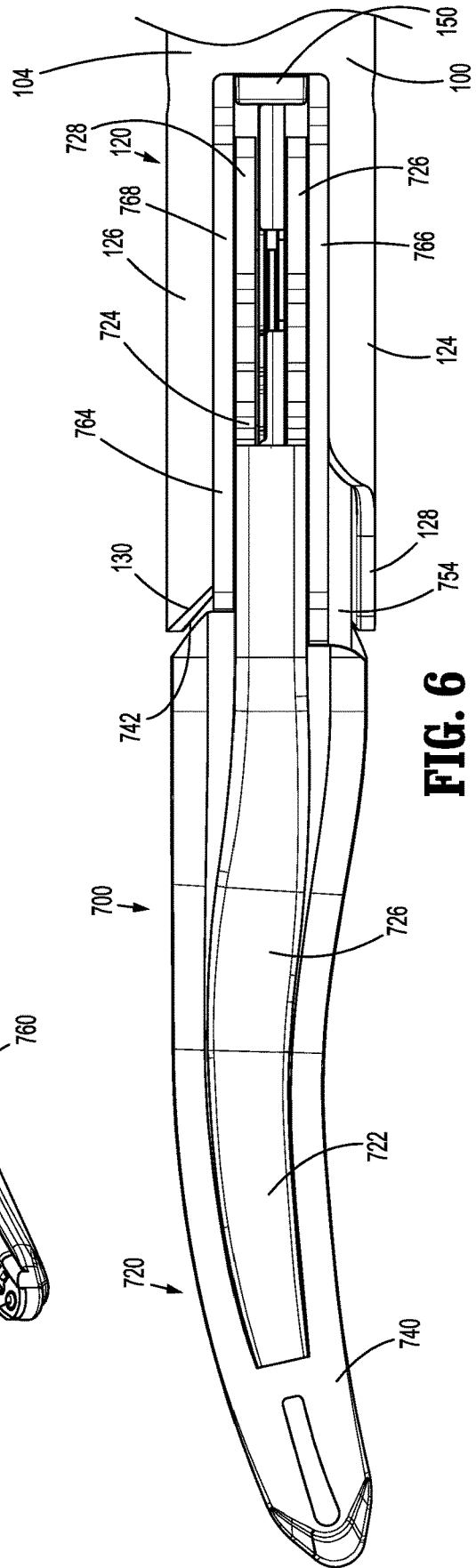


FIG. 6

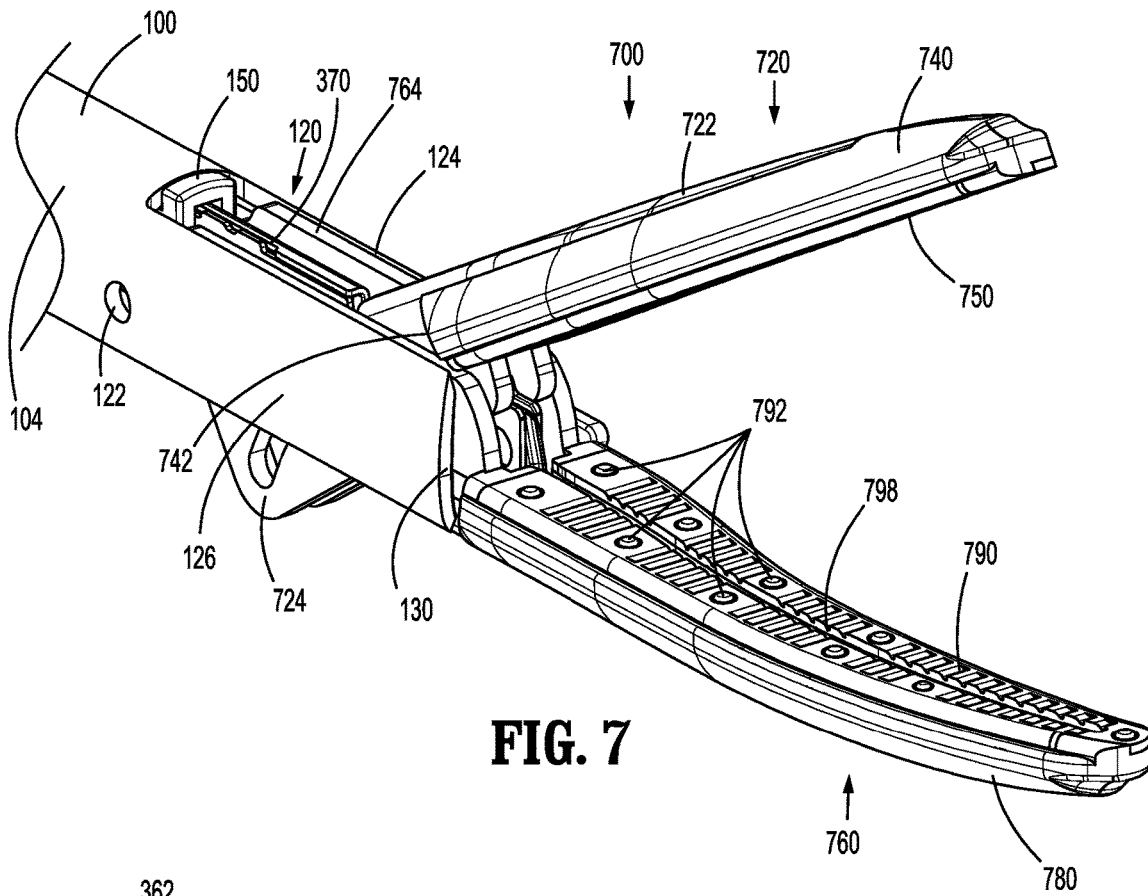


FIG. 7

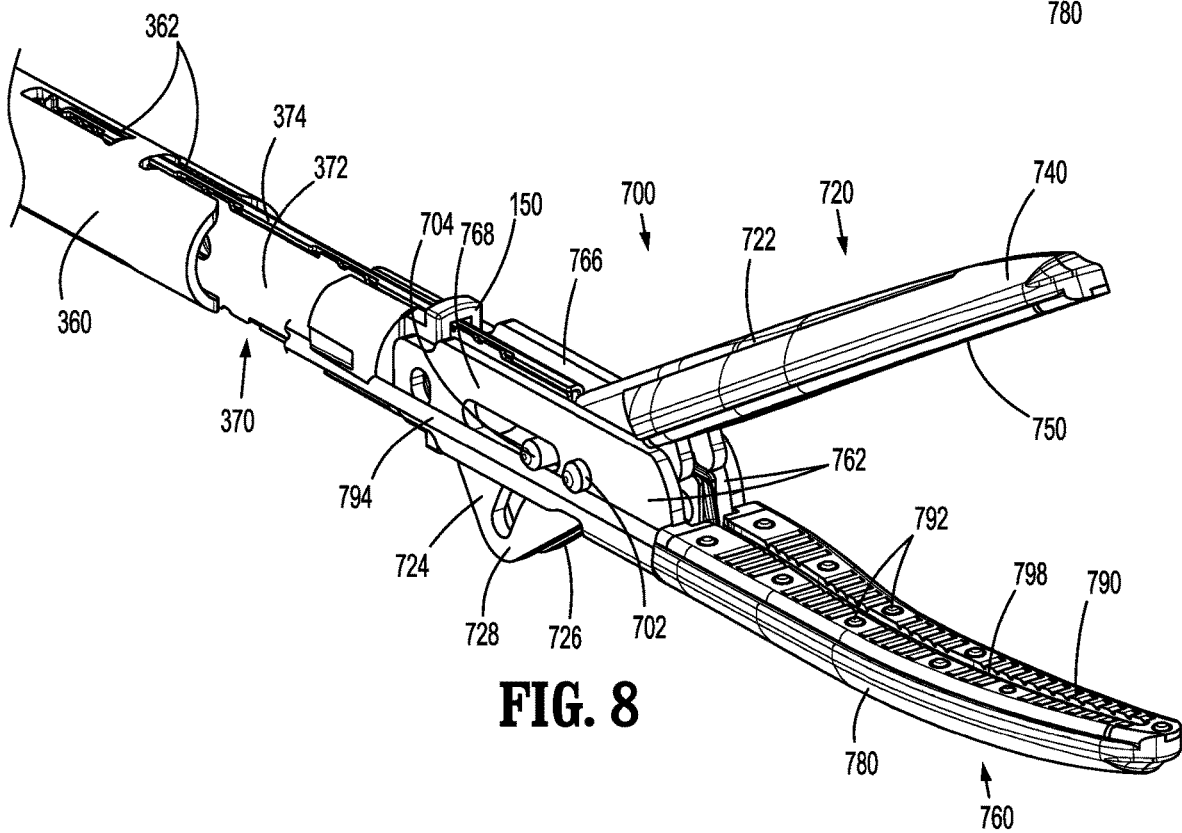


FIG. 8

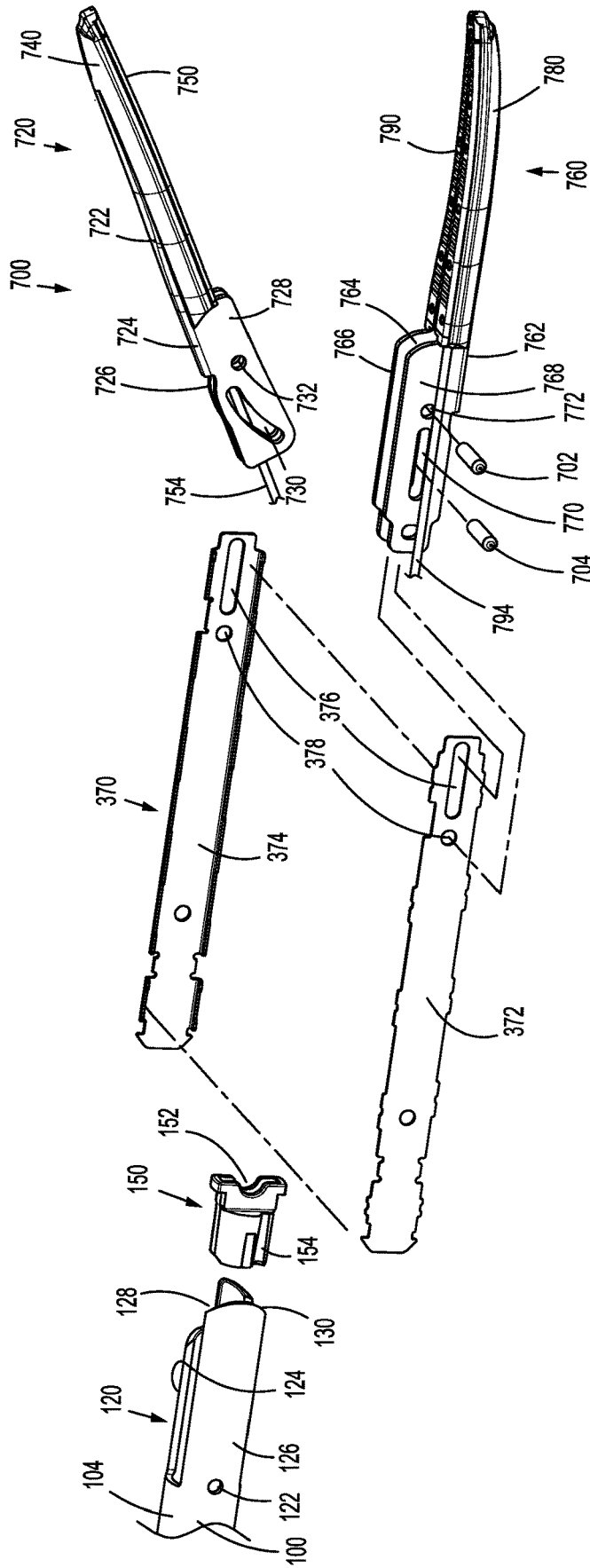


FIG. 9

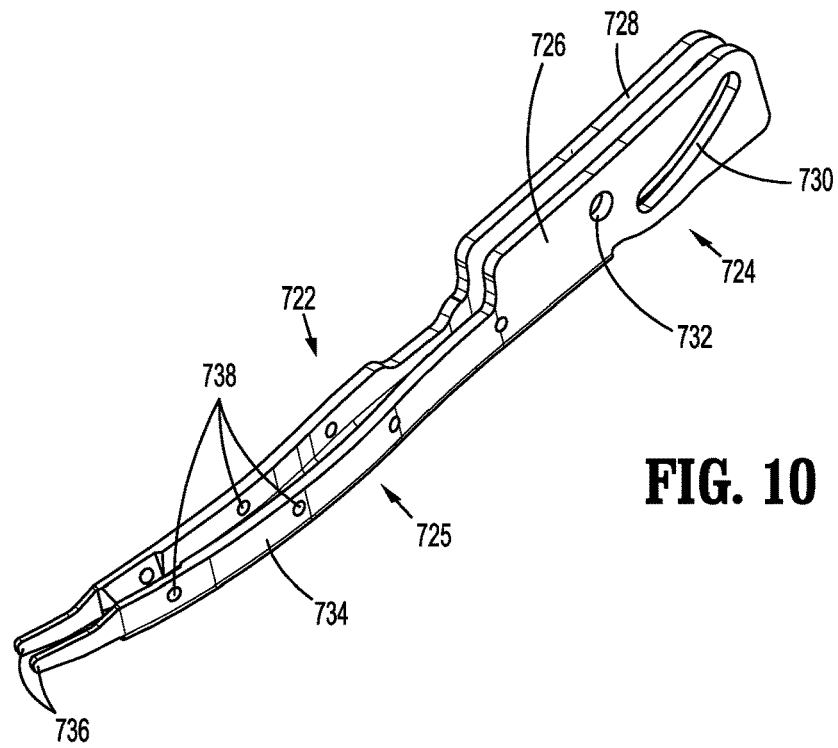


FIG. 10

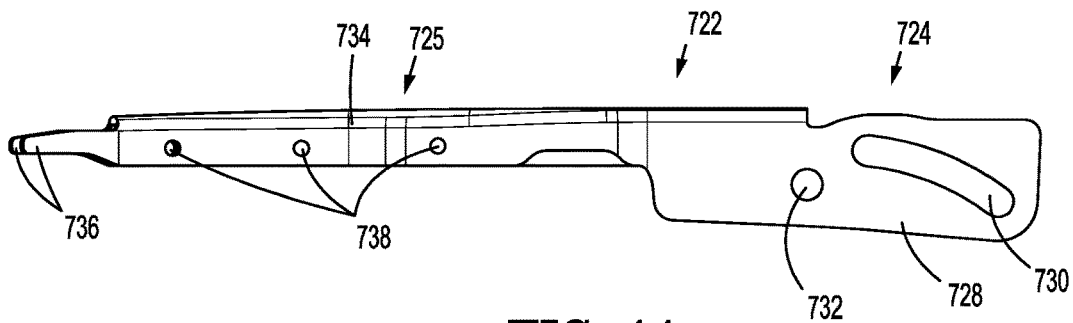


FIG. 11

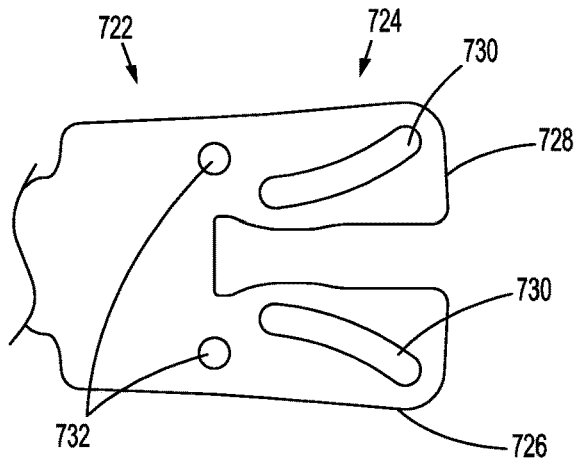
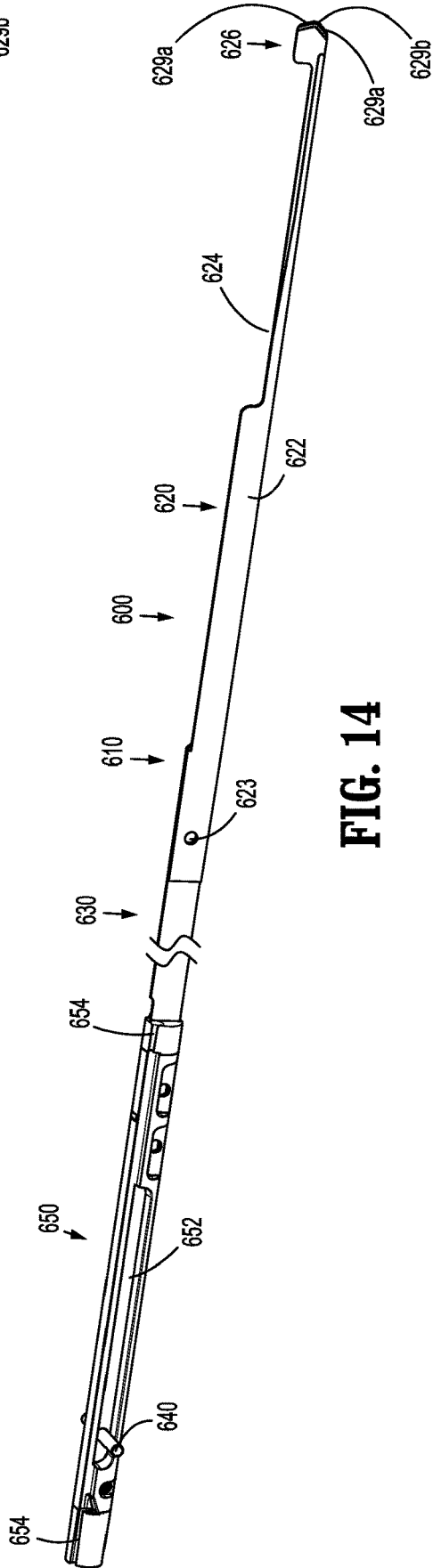
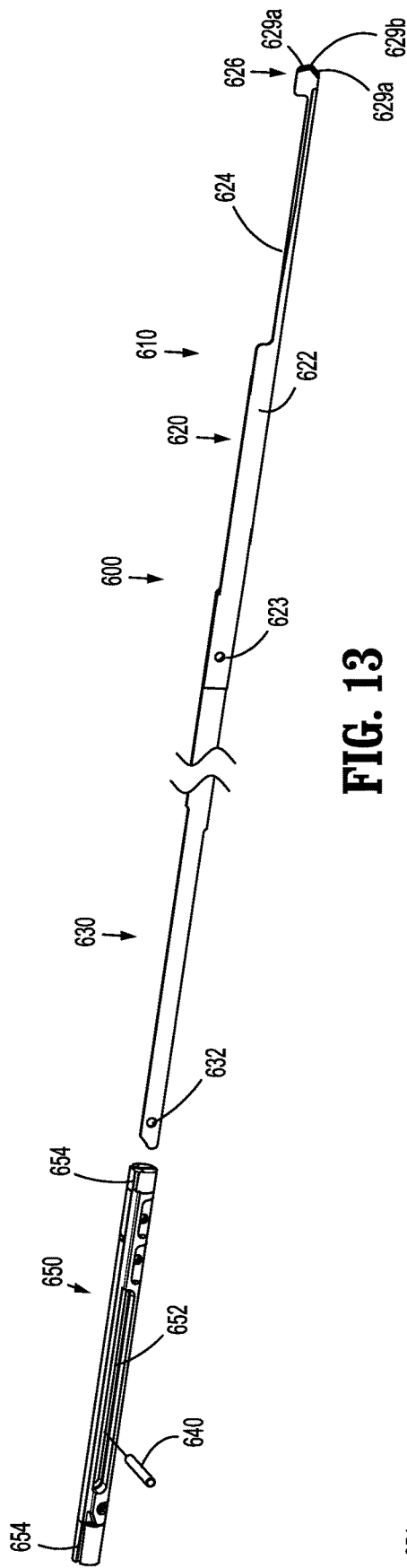


FIG. 12



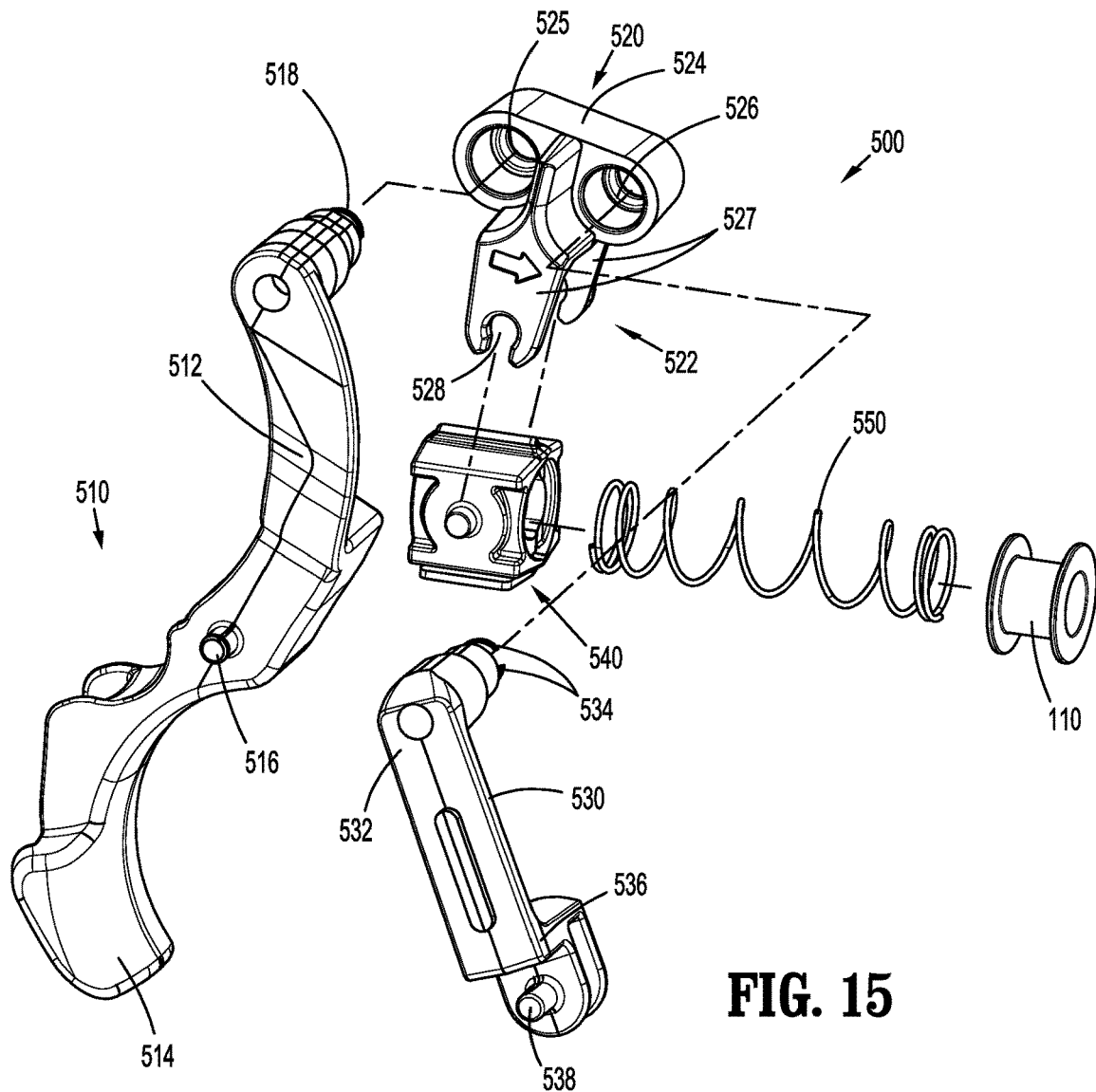


FIG. 15

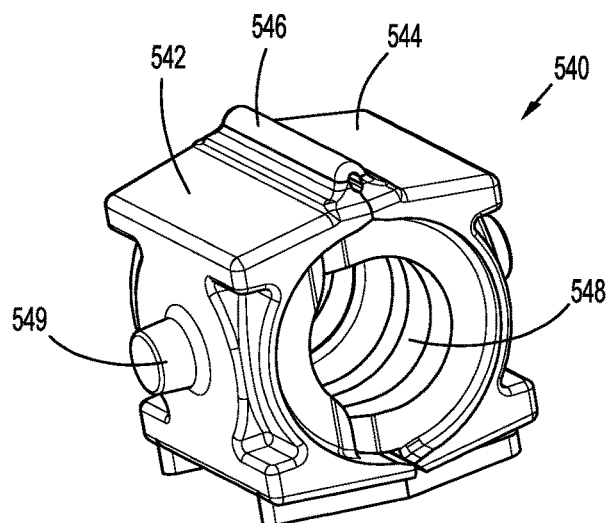


FIG. 16

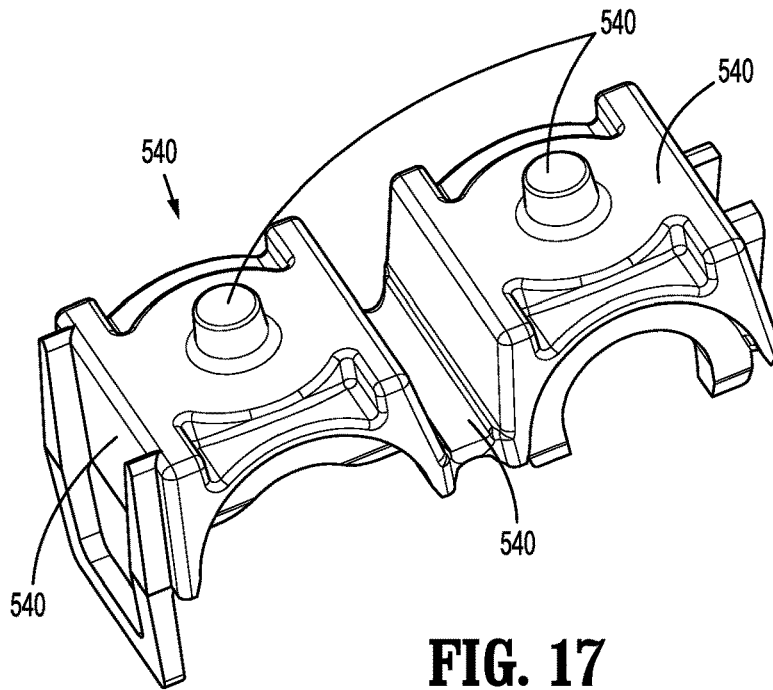


FIG. 17

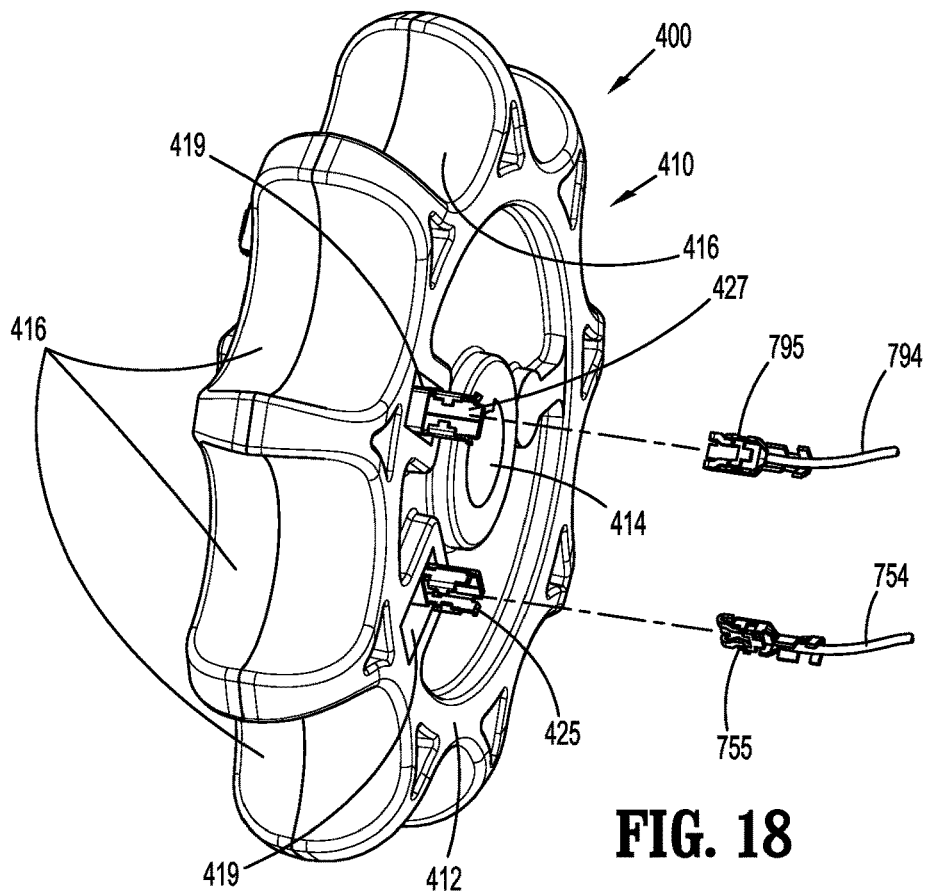


FIG. 18

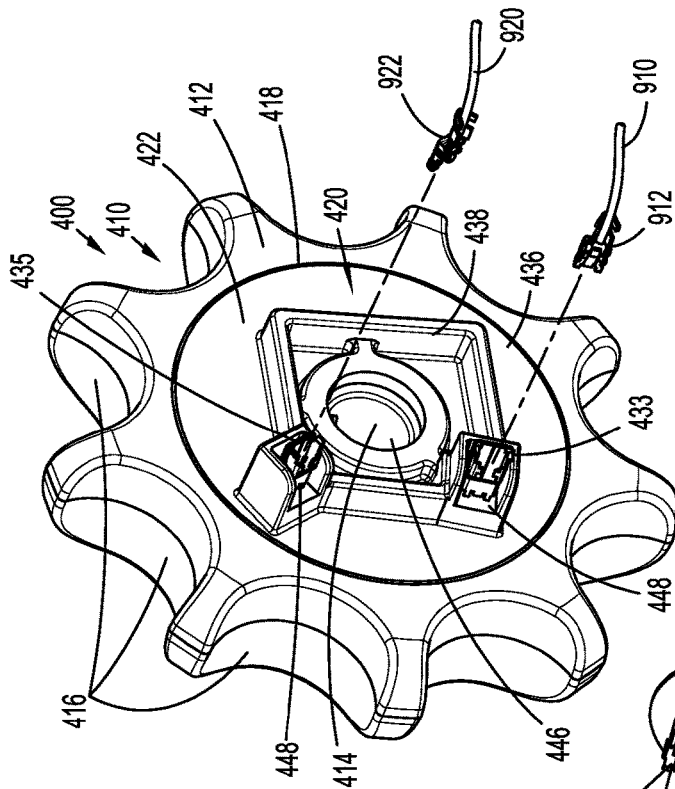


FIG. 19

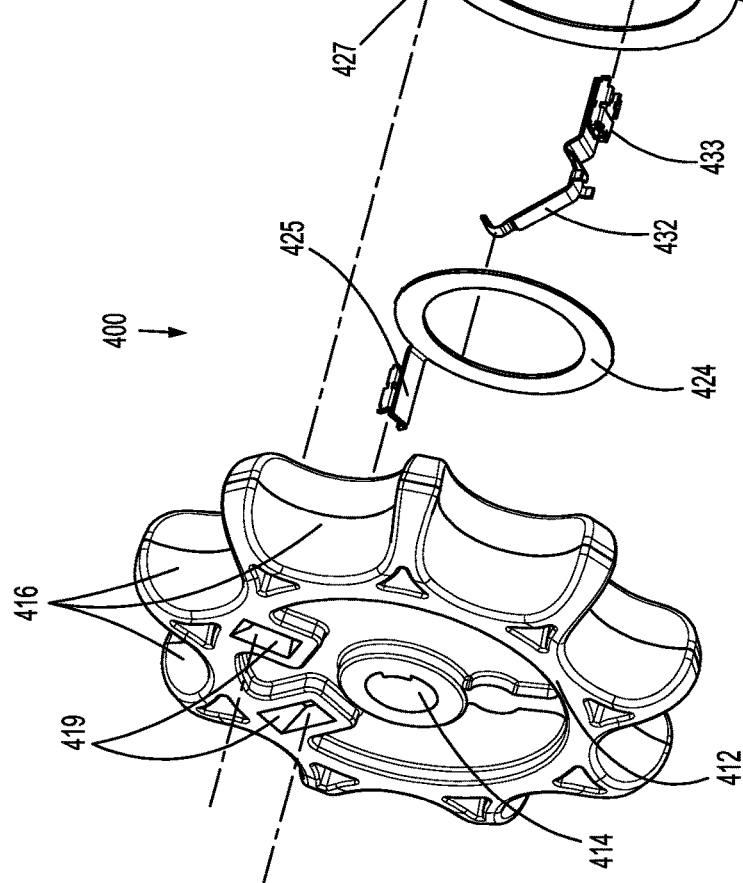


FIG. 20

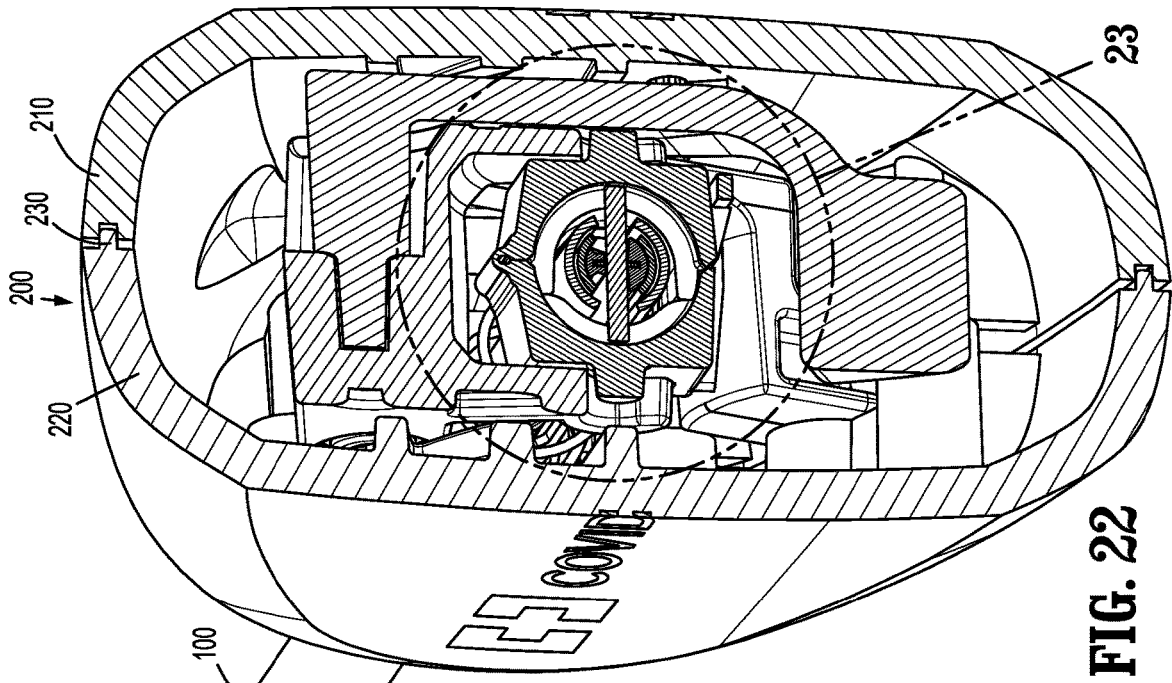


FIG. 22

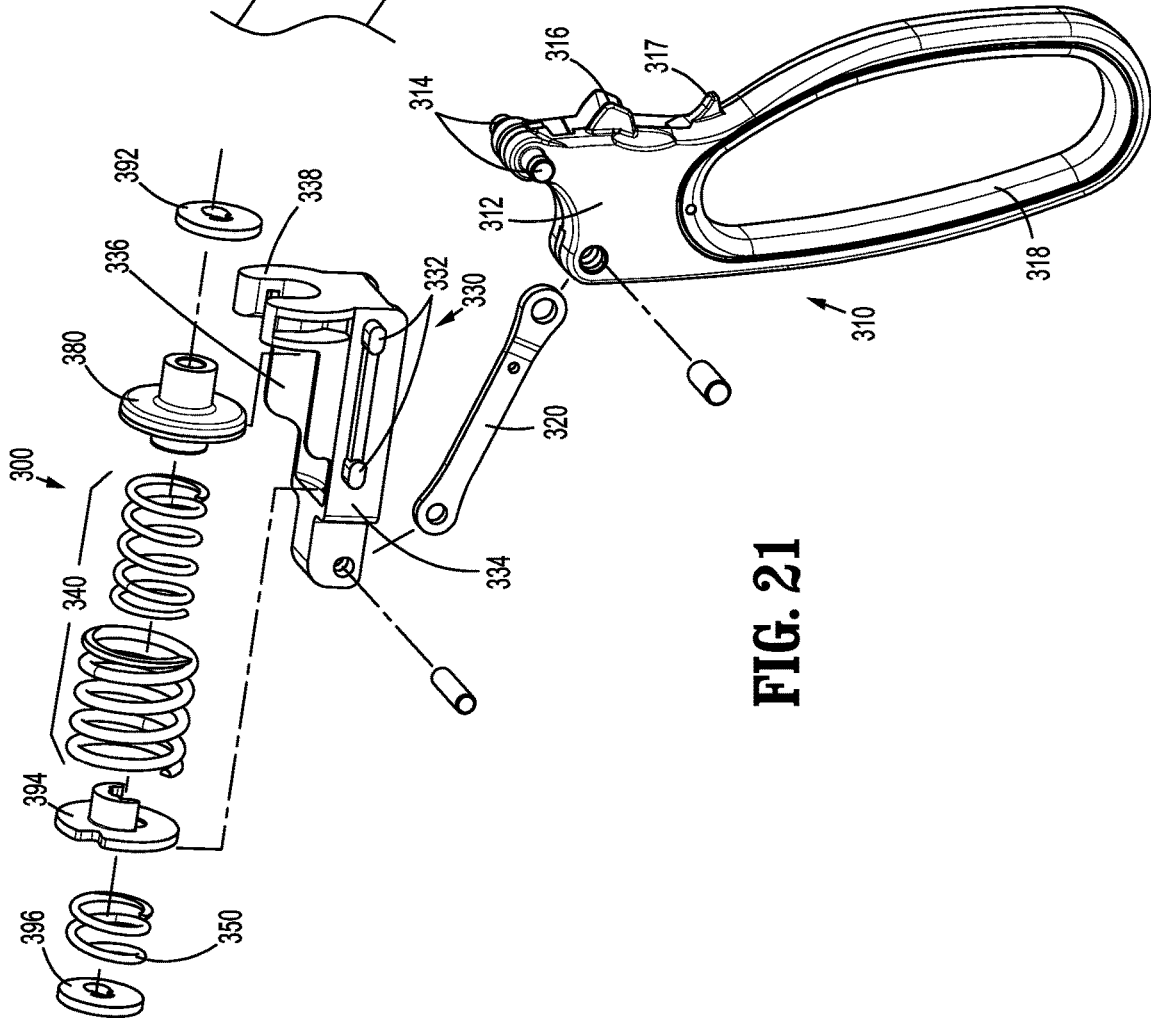


FIG. 21

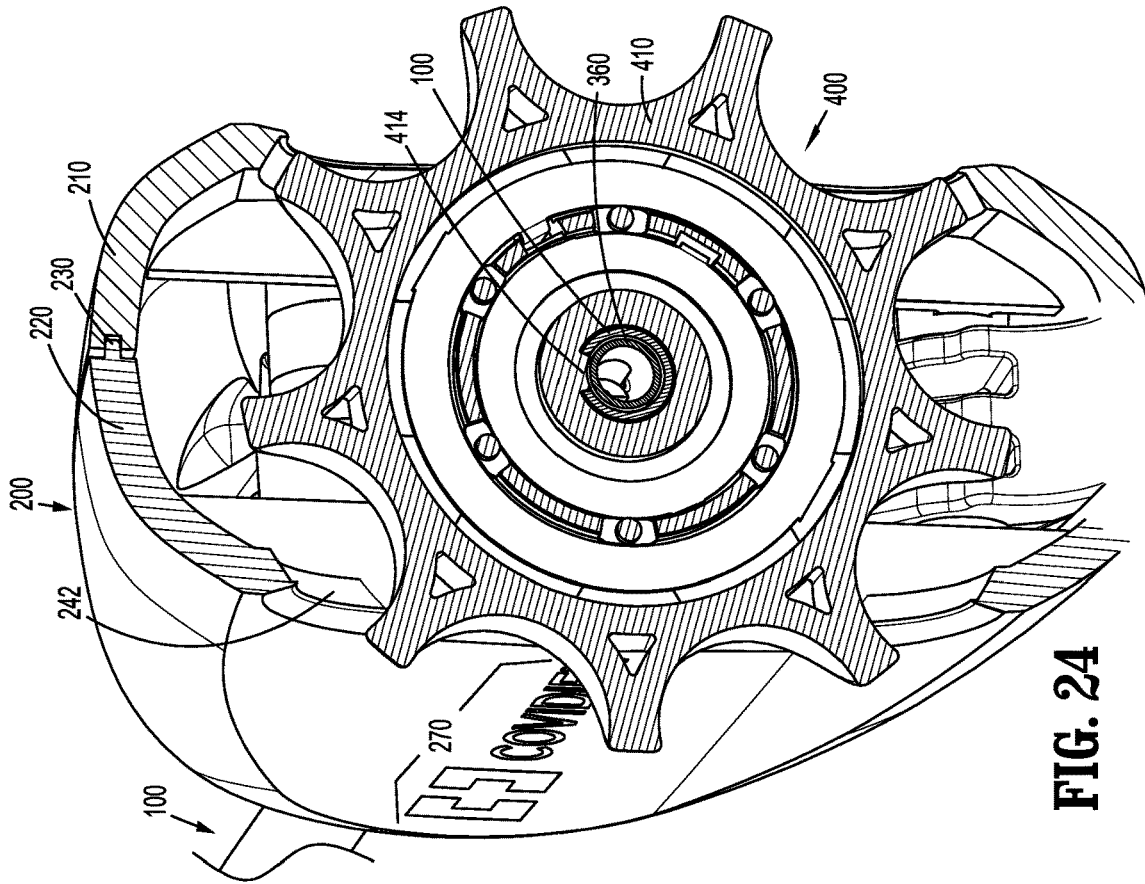


FIG. 24

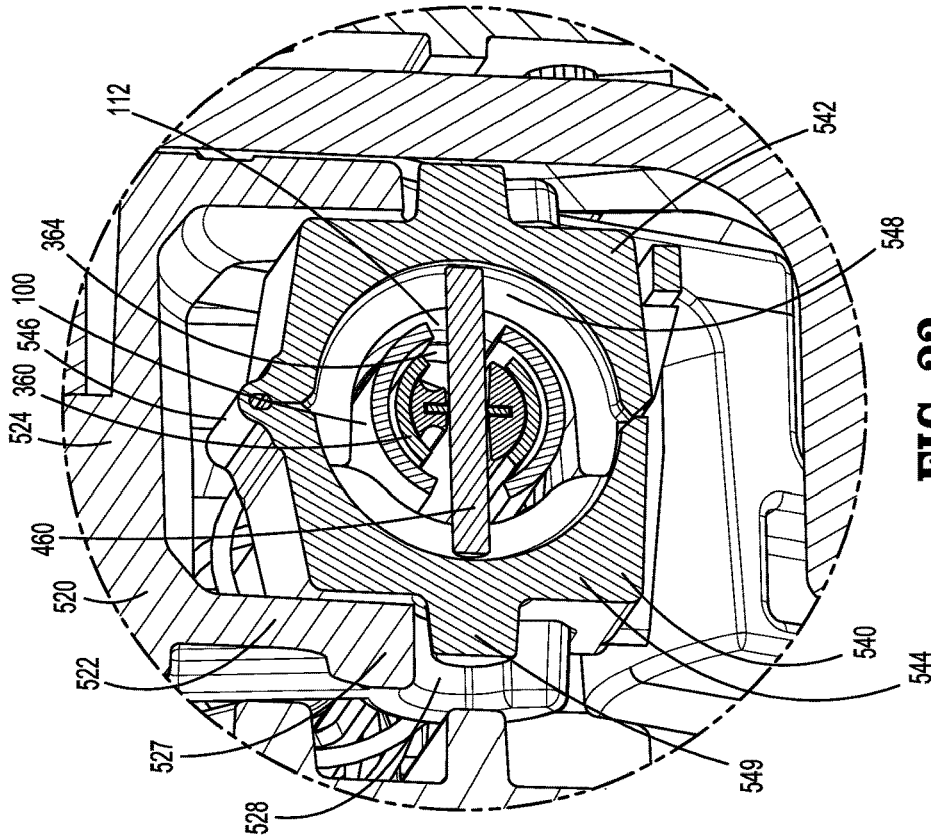


FIG. 23

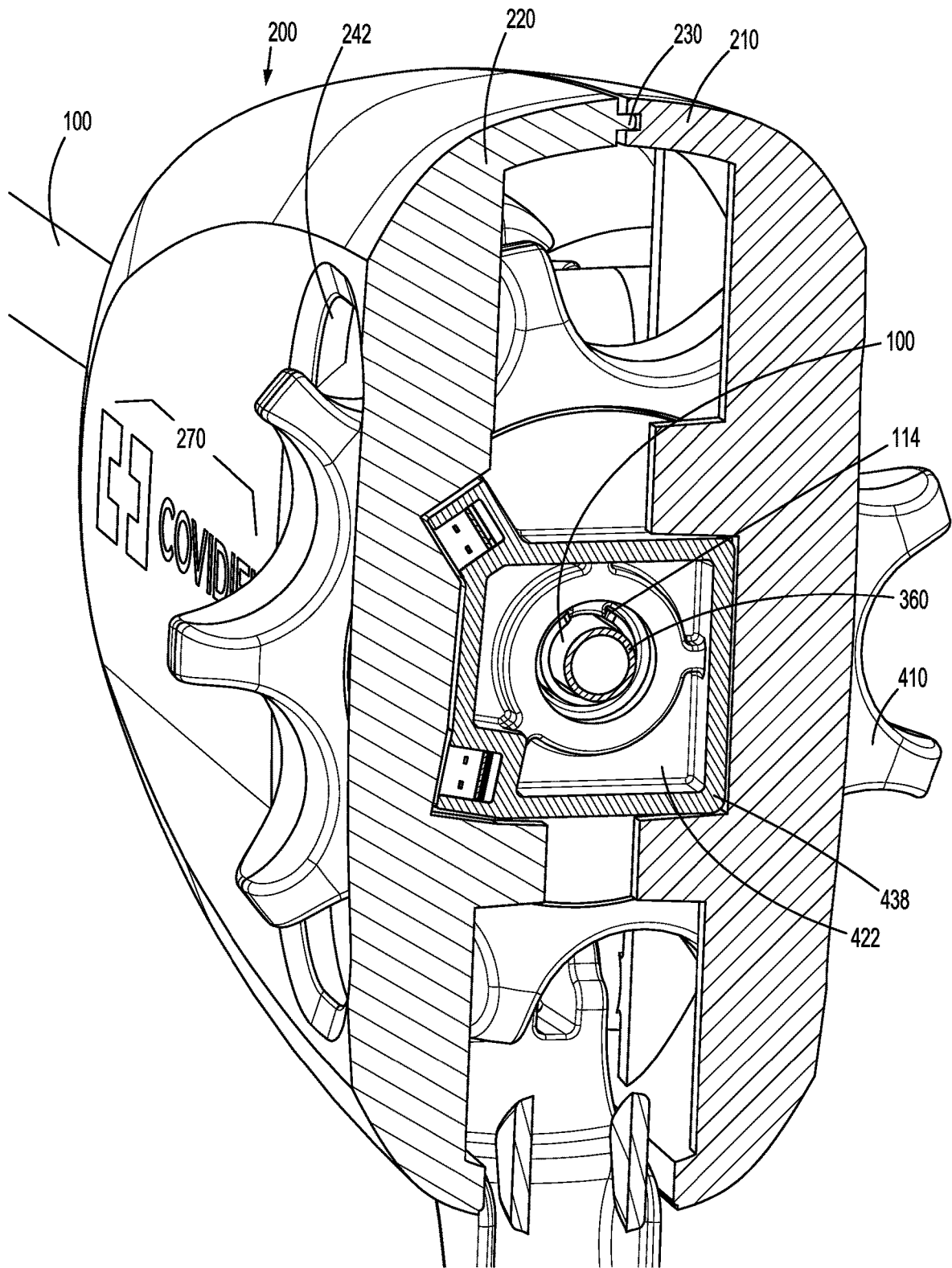


FIG. 25

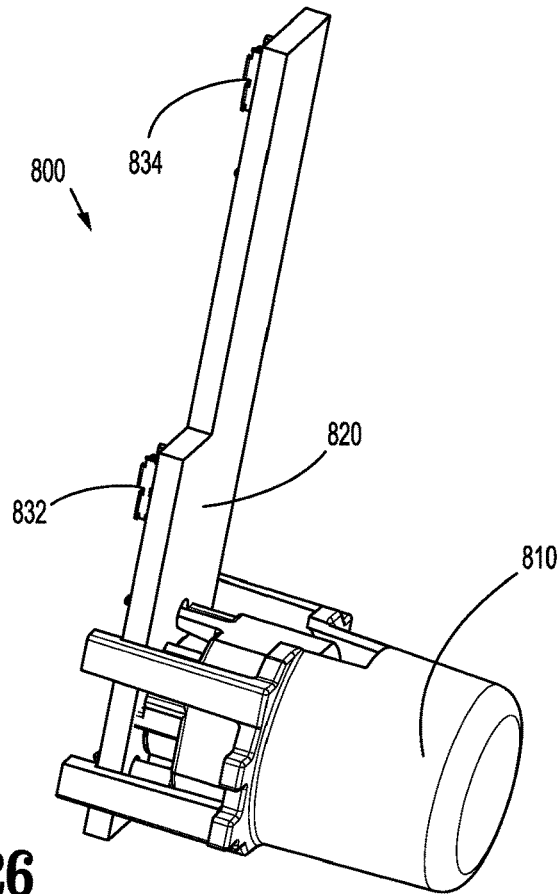


FIG. 26

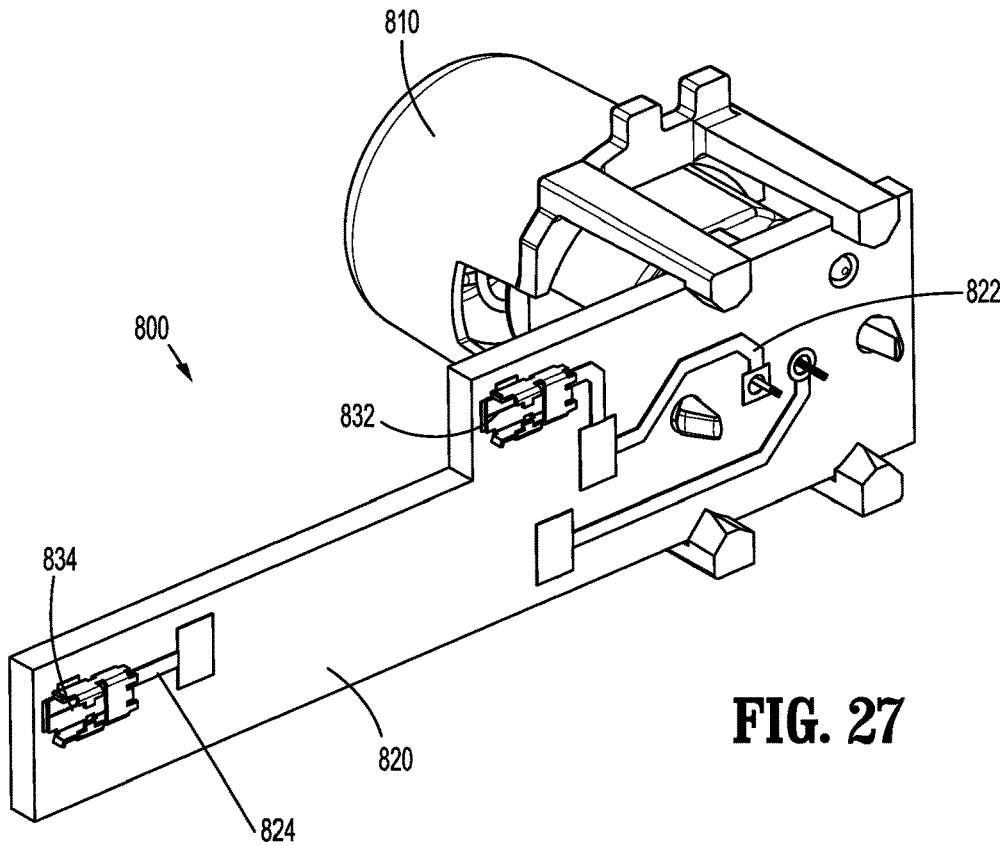


FIG. 27

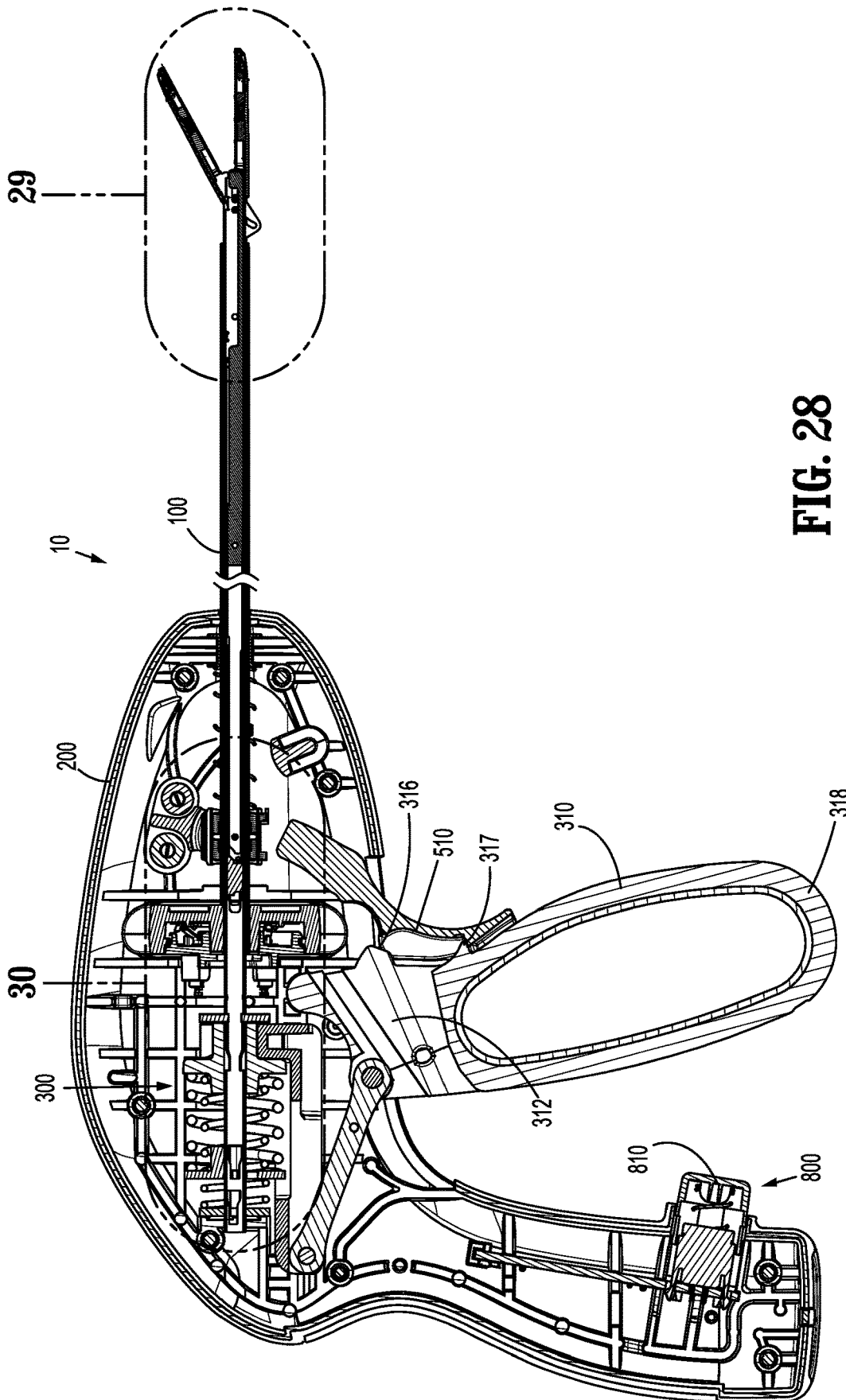


FIG. 28

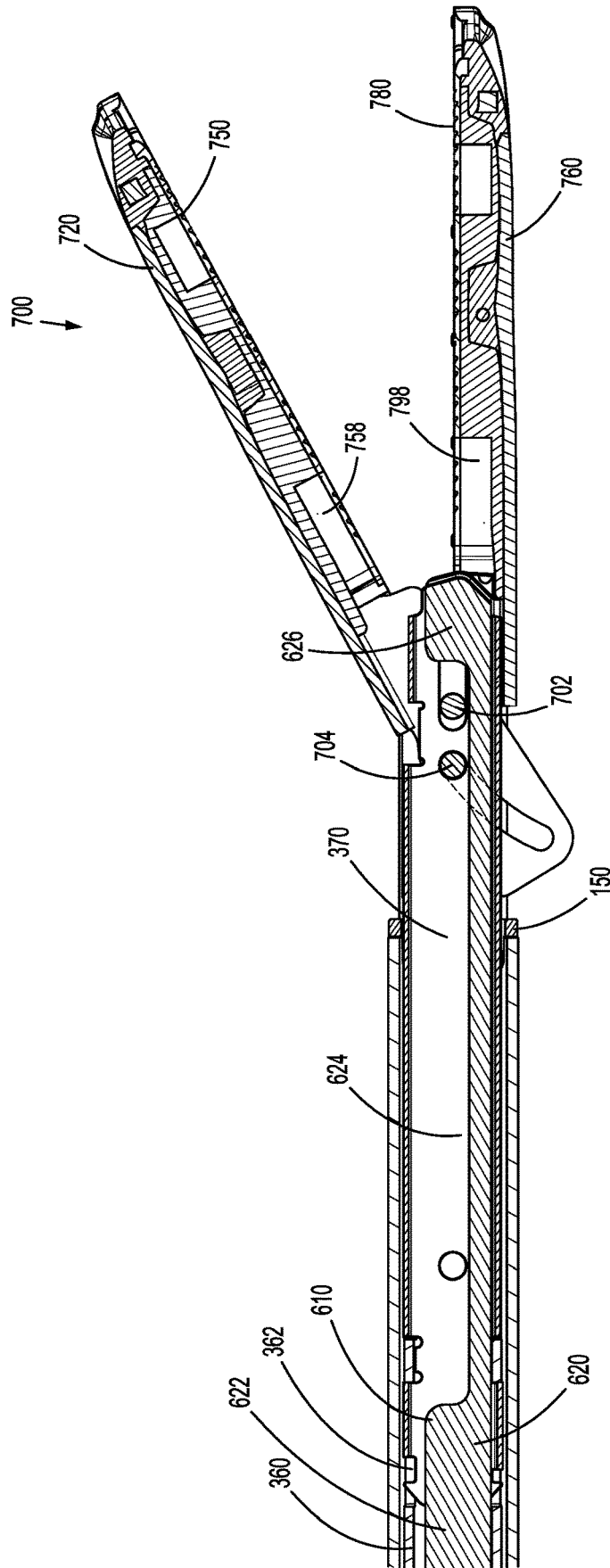


FIG. 29

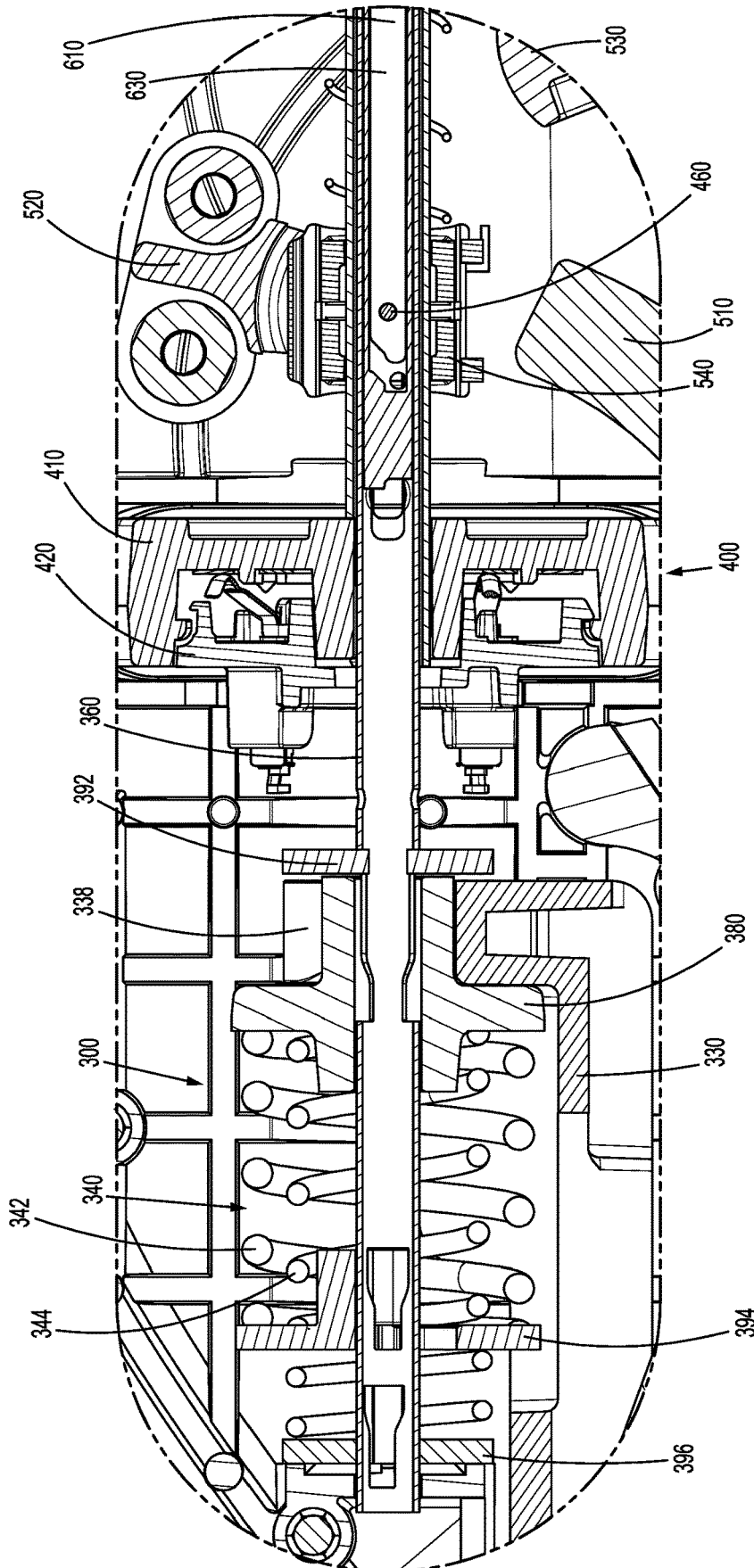


FIG. 30

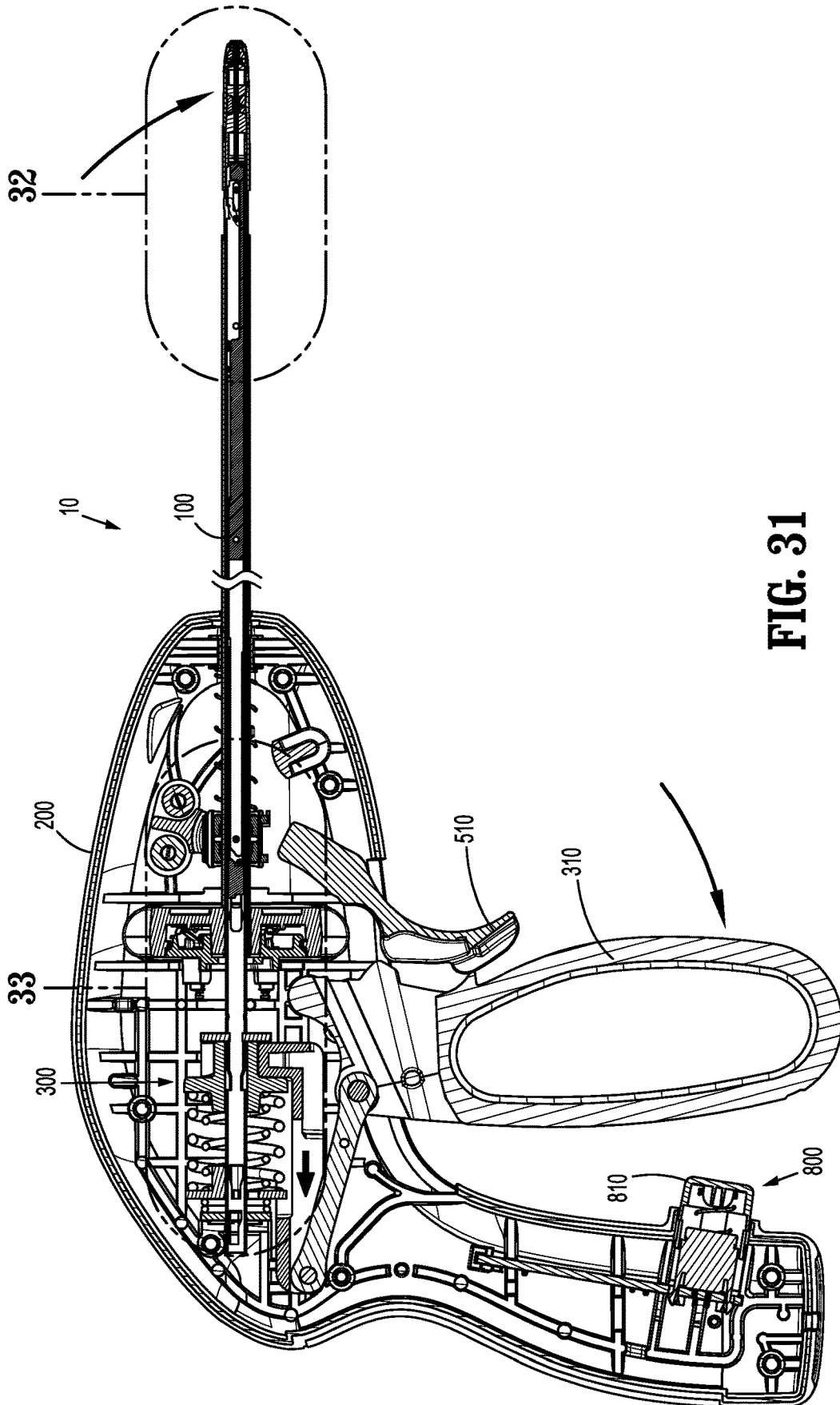


FIG. 31

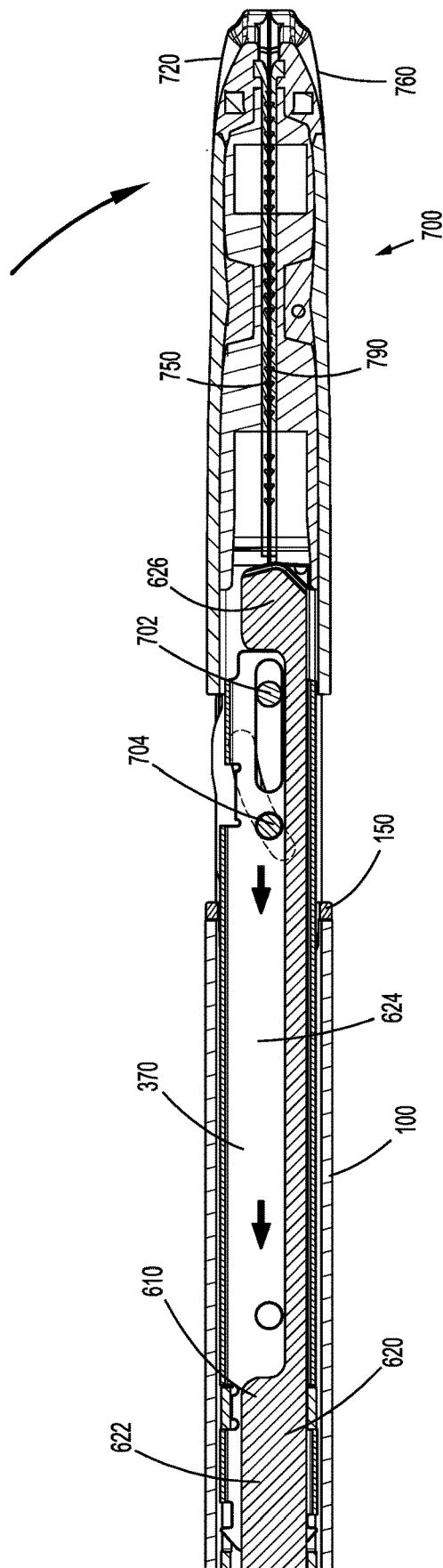


FIG. 32

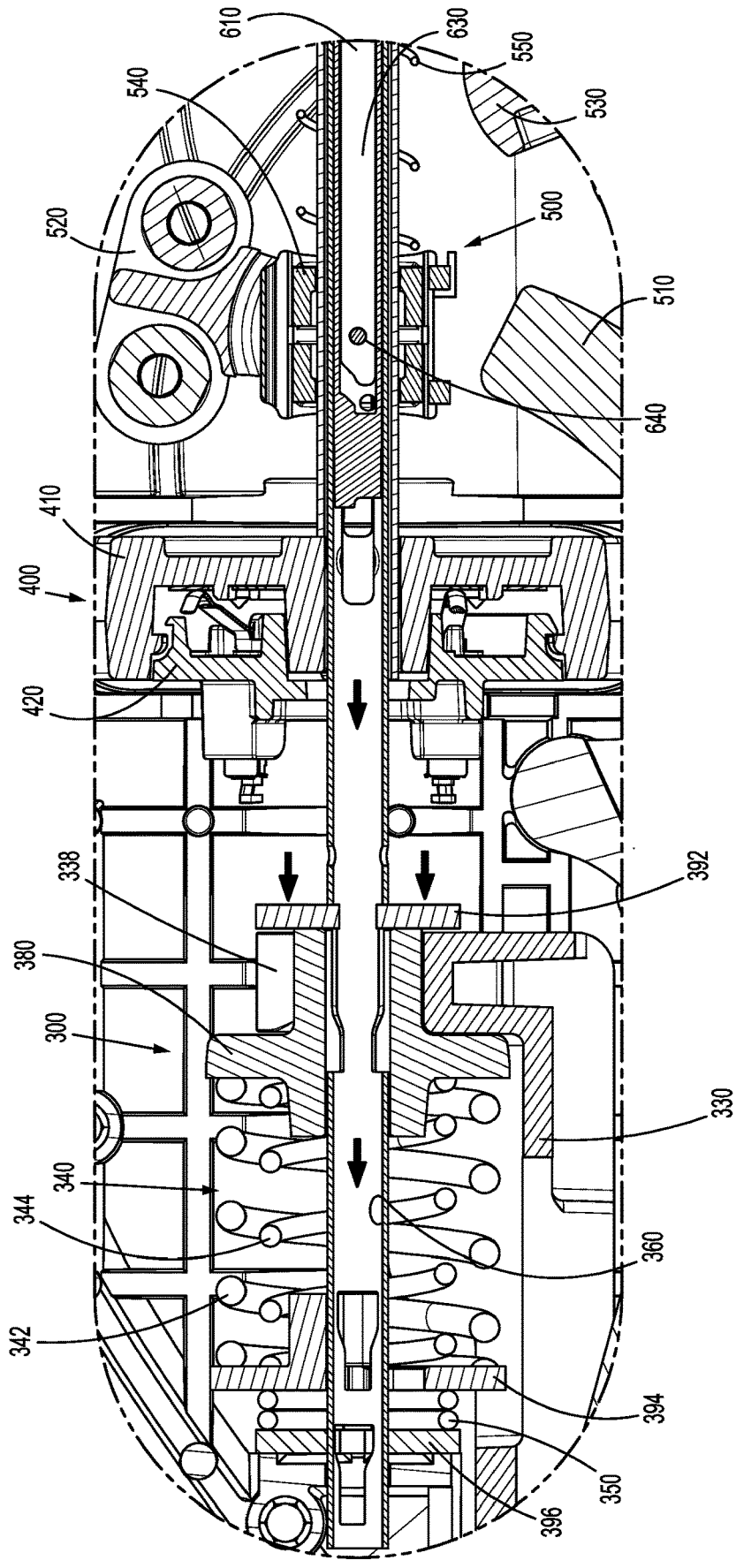


FIG. 33

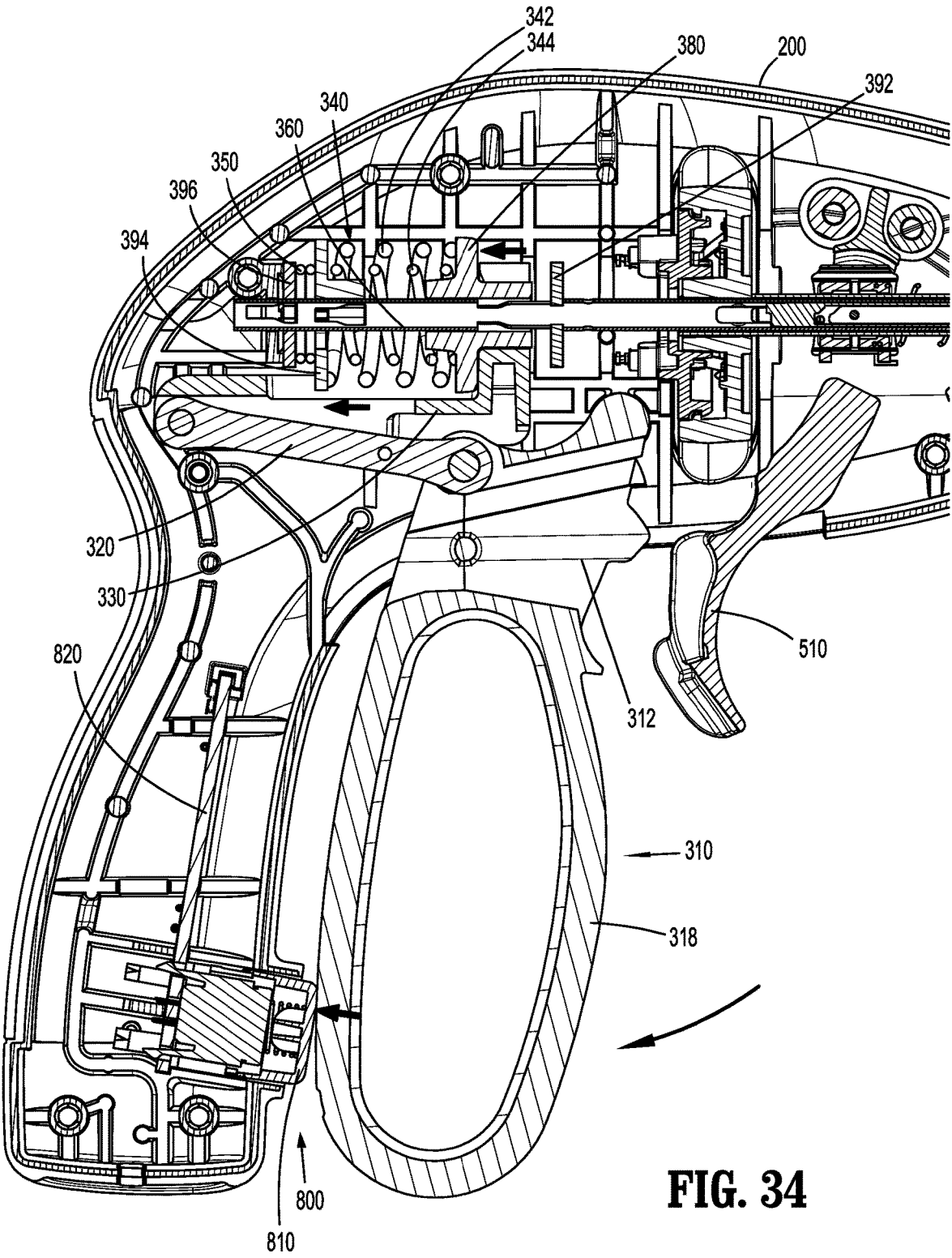


FIG. 34

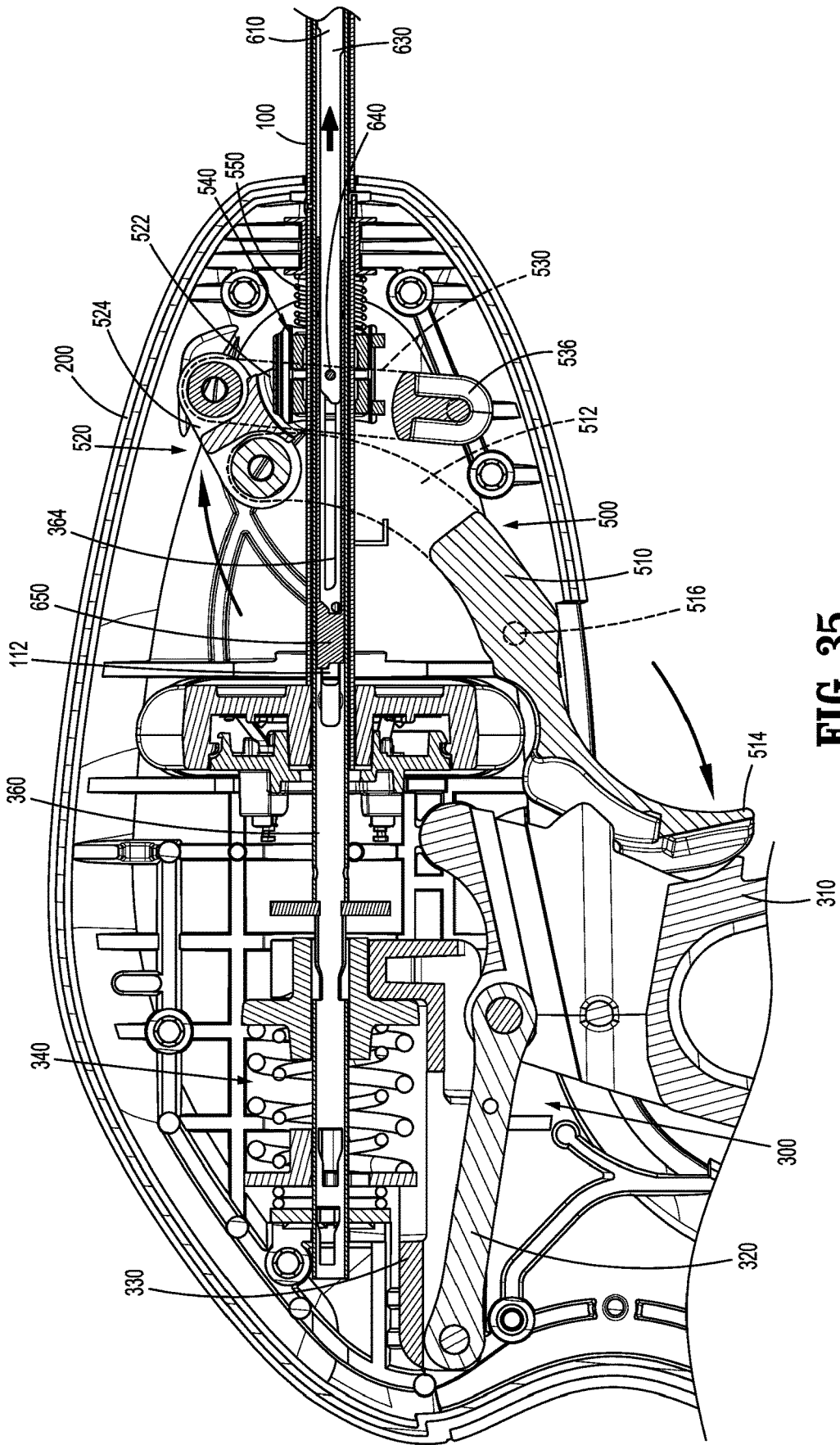


FIG. 35

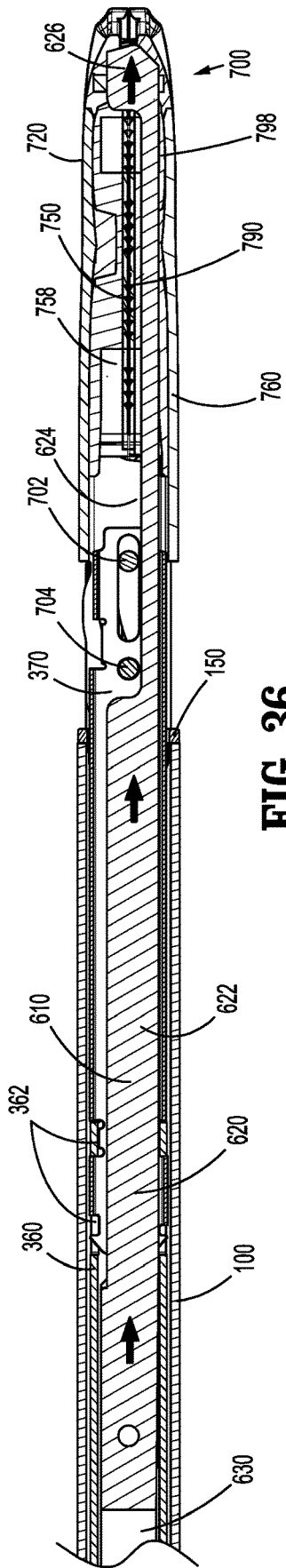


FIG. 36

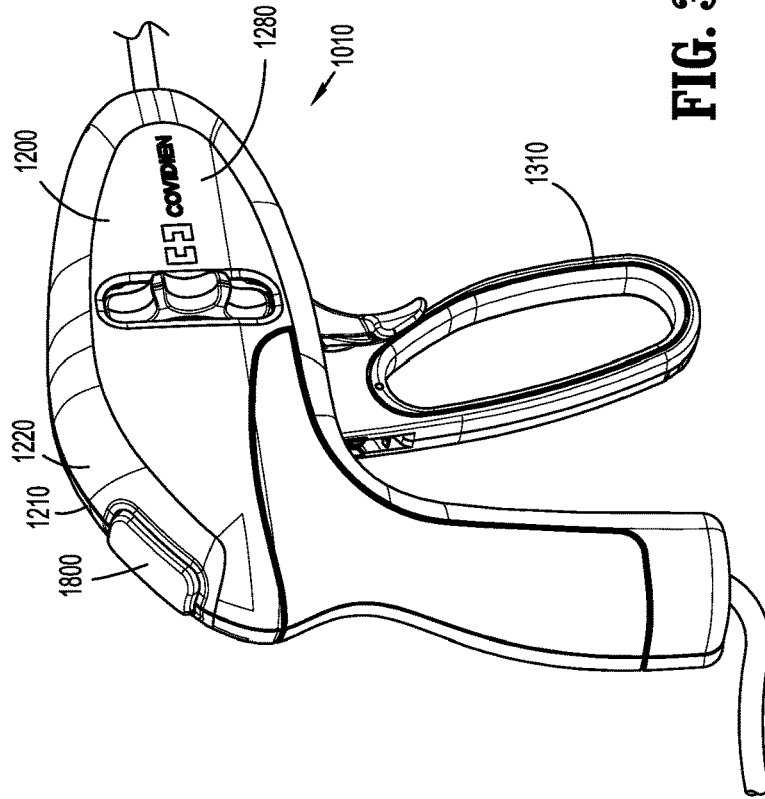


FIG. 37

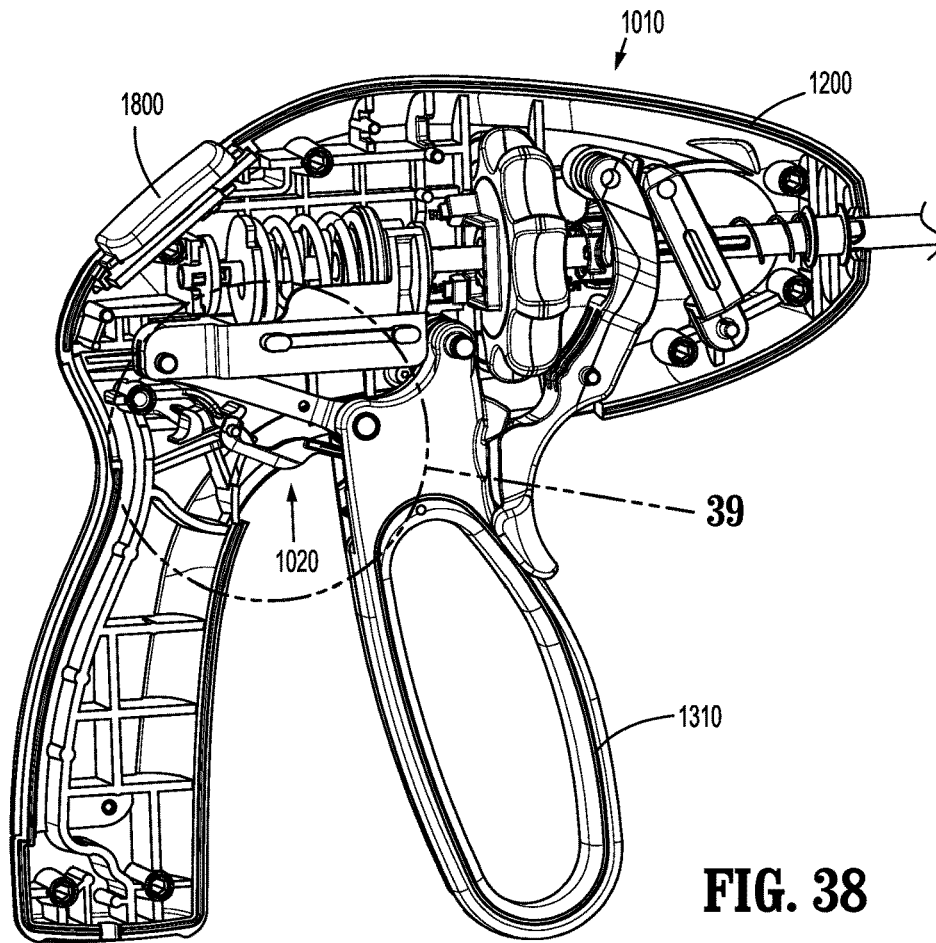


FIG. 38

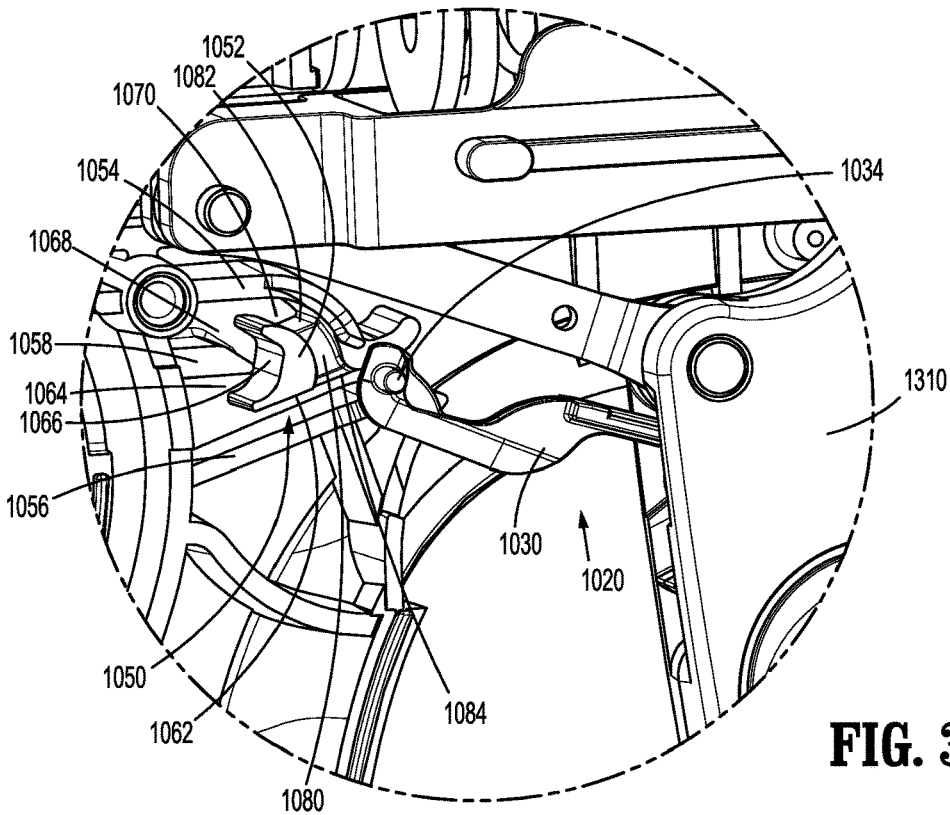


FIG. 39

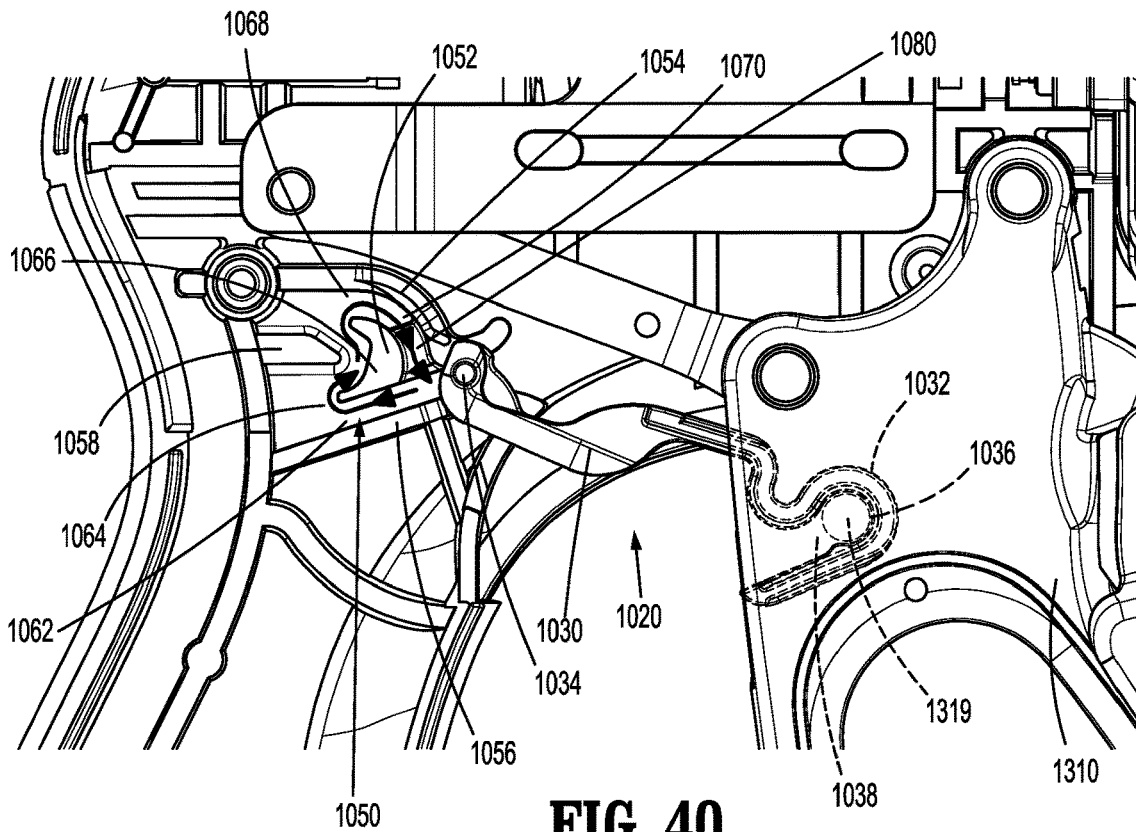


FIG. 40

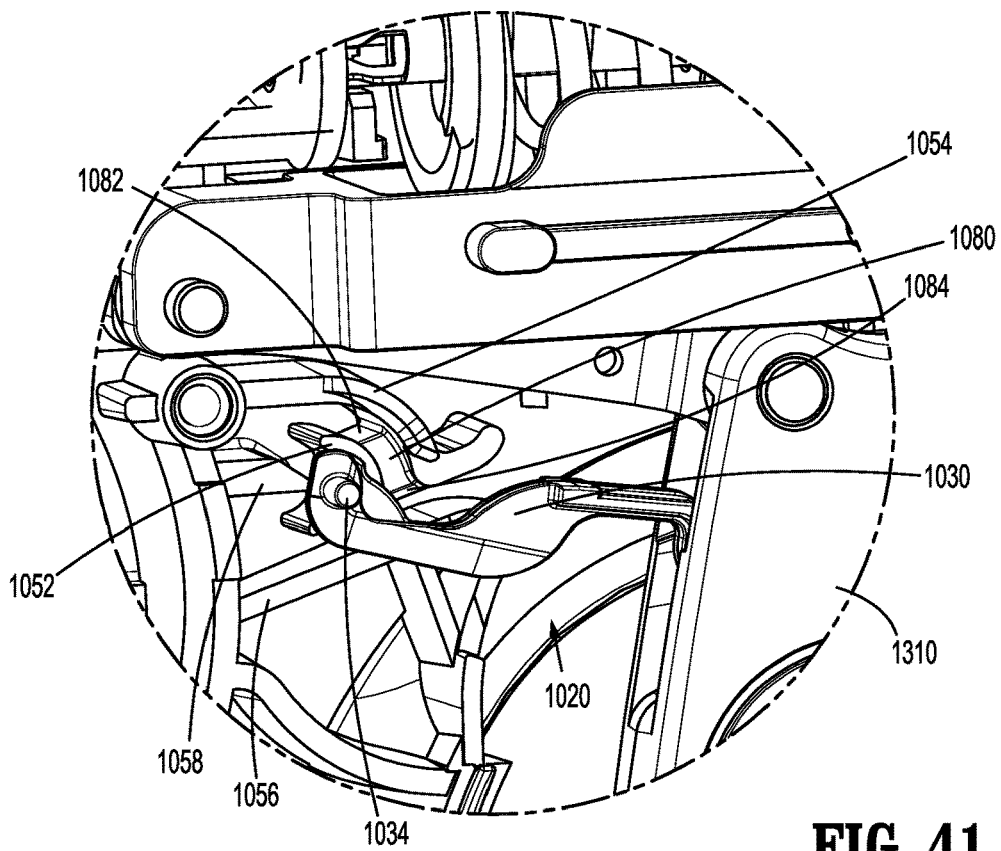


FIG. 41

1

**ENERGY-BASED SURGICAL INSTRUMENT
FOR GRASPING, TREATING, AND/OR
DIVIDING TISSUE**

BACKGROUND

Technical Field

The present disclosure relates to surgical instruments and, more particularly, to energy-based surgical instruments for grasping, treating, and/or dividing tissue.

Background of Related Art

Some energy-based surgical instruments, such as energy-based surgical forceps, utilize mechanical clamping action and application of energy, e.g., radio frequency (RF) energy, ultrasonic energy, microwave energy, light energy, thermal energy, etc., to affect hemostasis by heating tissue to coagulate, cauterize, and/or seal tissue. Coagulation may be sufficient to achieve hemostasis on some tissue, e.g., non-vascular tissue, small blood vessels below about two millimeters in diameter, and tissues including small vessels. However, for other tissue, e.g., large blood vessels above about two millimeters in diameter and tissues including larger vessels, coagulation may be insufficient to achieve hemostasis; instead, these tissues may be required to be sealed, a process by which the collagen in the tissue is heated up, denatured, and reformed into a fused mass to permanently close the vessel(s). Once hemostasis is achieved, the treated tissue may be cut (mechanically, electrically, or electro-mechanically) to divide the tissue.

SUMMARY

As used herein, the term “distal” refers to the portion that is being described which is further from an operator, e.g., a surgeon, while the term “proximal” refers to the portion that is being described which is closer to the operator. Terms including “generally,” “about,” “substantially,” and the like, as utilized herein, are meant to encompass variations, e.g., manufacturing tolerances, material tolerances, use and environmental tolerances, measurement variations, and/or other variations, up to and including plus or minus 10 percent. Further, any or all of the aspects described herein, to the extent consistent, may be used in conjunction with any or all of the other aspects described herein.

Provided in accordance with aspects of the present disclosure is a surgical instrument including a housing, an end effector assembly distally-spaced from the housing, a movable handle operably coupled to the housing and movable relative thereto between an un-actuated position, an actuated position, and an over-actuated position, a drive assembly operably coupled between the movable handle and the end effector assembly and configured such that movement of the movable handle from the un-actuated position to the actuated position manipulates the end effector assembly, and a latch assembly operably associated with the housing and the movable handle and configured to lock the movable handle in the actuated position. The latch assembly includes a latch arm including a latch post extending therefrom and a latch track defining an entry path, a latching path, a saddle, an un-latching path, and a return path. The latch post is configured to move through the entry path, the latching path, and into the saddle upon movement of the movable handle from un-actuated position through the actuated position to the over-actuated position and back to the actuated position

2

to thereby lock the movable handle in the actuated position. The latch post is configured to move from the saddle through the un-latching path and the return path upon subsequent movement of the movable handle from actuated position to the over-actuated position and back to the un-actuated position. The return path includes a ramped surface configured to inhibit reverse travel of the latch post into the return path.

In an aspect of the present disclosure, the ramped surface includes a ramped end and a cliff end, and wherein the latch post is permitted to enter the ramped surface via the ramped end but inhibited from entering the ramped surface via the cliff end.

In another aspect of the present disclosure, the latch track extends between a central block, an upper guide rail, a lower guide rail, and a guide leg. The central block may define the saddle.

In another aspect of the present disclosure, the entry path is defined between the lower guide rail and the central block and the return path is defined between the upper guide rail and the central block. Additionally or alternatively, the latching path is defined between the central block, the lower guide rail, and the guide leg, and the unlatching path is defined between the central block, the upper guide rail, and the guide leg.

In yet another aspect of the present disclosure, the latch arm is configured to deflect about a first axis upon movement of the latch post through the entry path. The latch arm may further be configured to deflect about a second axis upon movement of the latch post along the ramped surface.

In still another aspect of the present disclosure, the latch arm is engaged with the movable handle and the latch track is disposed within the housing. In such aspects, the latch arm may be engaged with the movable handle at a first end thereof and include the latch post at a second end thereof. Further, the latch arm may include a latch hook defined at the first end thereof and configured to engage a boss extending from the movable handle.

In still yet another aspect of the present disclosure, the end effector assembly includes first and second jaw members, at least one of which is movable relative to the other from a spaced-apart position to an approximated position to grasp tissue therebetween in response to movement of the movable handle from the un-actuated position to the actuated position.

In another aspect of the present disclosure, the drive assembly is configured to control a jaw force applied by the first and second jaw members to tissue grasped therebetween.

In yet another aspect of the present disclosure, the drive assembly is configured such that no additional jaw force is imparted to tissue grasped between the first and second jaw members in response to movement of the movable handle from the actuated position to the over-actuated position.

A method of actuating a surgical instrument provided in accordance with aspects of the present disclosure includes actuating a movable handle relative to a housing from an un-actuated position to an actuated position, and from the actuated position to an over-actuated position. Actuating the movable handle from the un-actuated position to the actuated position manipulates an end effector assembly and actuating the movable handle from the un-actuated position to the over-actuated position moves a latch post through an entry path of a latch track. Releasing the movable handle in the over-actuated position allows the movable handle to return towards the actuated position, and return of the movable handle moves the latch post along a latching path

3

to a saddle to thereby lock the movable handle in the actuated position. Actuating the movable handle from the actuated position to the over-actuated position moves the latch post from the saddle along an unlatching path, thereby unlocking the movable handle. Releasing the movable handle in the over-actuated position thereof allows the movable handle to return to the actuated position, thereby moving the latch post along a return path up a ramped end of a ramped surface, along the ramped surface, and off a cliff end of the ramped surface. The cliff end of the ramped surface inhibits the latch post from entering the ramped surface from the cliff end thereof.

In an aspect of the present disclosure, the latch post extends from a latch arm connected to the movable handle. The latch arm is deflected about a first axis upon at least a portion of the actuation of the movable handle from the un-actuated position to the actuated position.

In another aspect of the present disclosure, the latch arm is deflected about a second axis upon movement of the latch arm along the ramped surface.

In yet another aspect of the present disclosure, completion of the actuation of the movable handle from the un-actuated position to the over-actuated position is confirmed by at least one of tactile or audible feedback.

In still another aspect of the present disclosure, manipulating the end effector assembly includes moving at least one of a first or second jaw member relative to the other from a spaced-apart position to an approximated position to grasp tissue therebetween. The first and second jaw members may be maintained in position during at least one of the actuations of the movable handle from the actuated position to the over-actuated position.

Another surgical instrument provided in accordance with aspects of the present disclosure includes a housing and a trigger assembly operably coupled to the housing. The trigger assembly is configured for selectively deploying a deployable component distally relative to the housing. The trigger assembly includes a trigger, a rocker, a linkage, and a slider. The trigger includes a drive portion and a manipulation portion. The trigger is pivotably coupled to the housing at a position between the drive portion and the manipulation such that the drive portion and the manipulation portion are moved in different directions in response to pivoting of the trigger relative to the housing. The drive portion of the trigger is pivotably coupled to the rocker. The linkage includes a first end portion pivotably coupled to the rocker and a second end portion pivotably coupled to the housing. The slider is pivotably coupled to the rocker and operably coupled to the deployable component. Proximal actuation of the manipulation portion of the trigger moves the drive portion of the trigger distally to thereby urge the rocker distally, pivot the linkage about the second end portion thereof, and slide the slider distally to deploy the deployable component distally.

In an aspect of the present disclosure, the slider is a spindle housing configured to capture a pin associated within the deployable component therein such that distal sliding of the spindle housing deploys the deployable component distally.

In another aspect of the present disclosure, the pin is received within an annular groove defined within the spindle housing to permit rotation of the pin and the deployable component relative to the spindle housing.

In still another aspect of the present disclosure, the spindle housing includes first and second housing parts intercon-

4

nected by a living hinge and configured to engage one another in a closed position to define an interior of the spindle housing.

In yet another aspect of the present disclosure, each of the first and second housing parts includes a pivot boss extending therefrom and the rocker includes a pair of spaced-apart forked connectors configured to engage the pivot bosses to thereby pivotably couple the rocker with the spindle housing on either side thereof.

In still yet another aspect of the present disclosure, the deployable component is a knife configured for deployment between jaw members of an end effector assembly to cut tissue grasped between the jaw members.

In another aspect of the present disclosure, the rocker defines a "T"-shaped configuration including an upright and a crossbar. The drive portion of the trigger and the first end portion of the linkage are pivotably coupled to opposing end portions of the crossbar and the slider is pivotably coupled to a free end of the upright.

In yet another aspect of the present disclosure, the trigger is pivotably coupled to the rocker via a snap-fit connection including a pair of snap-fit legs engaged within a snap-fit recess, and/or the linkage is pivotably coupled to the rocker at the first end portion of the linkage via a snap-fit connection including a pair of snap-fit legs engaged within a snap-fit recess.

In another aspect of the present disclosure, the surgical instrument further includes a shaft including a proximal end portion at least partially disposed within the housing. The shaft extends distally from the housing and supports an end effector assembly at a distal end portion thereof. An inner drive is slidably disposed within the shaft and operably coupled to the end effector assembly. The slider is slidably disposed about the shaft and the deployable component is slidably disposed within the inner drive.

In still another aspect of the present disclosure, the deployable component is operable coupled with the slider via a pin extending through slots defined within the inner drive and the shaft.

Another surgical instrument provided in accordance with aspects of the present disclosure includes a housing, a shaft extending distally from the housing and defining a longitudinal axis, and a trigger assembly operably coupled to the housing for selectively deploying a deployable component distally through the shaft. The trigger assembly includes a trigger, a rocker, a linkage, and a slider. The trigger includes a drive portion and a manipulation portion. The trigger is pivotably coupled to the housing at a position below the longitudinal axis and between the drive portion and the manipulation such that the drive portion and the manipulation portion are moved in different directions in response to pivoting of the trigger relative to the housing. The drive portion of the trigger is pivotably coupled to the rocker above the longitudinal axis. The linkage includes a first end portion pivotably coupled to the rocker above the longitudinal axis and a second end portion pivotably coupled to the housing below the longitudinal axis. The slider is pivotably coupled to the rocker on the longitudinal axis and operably coupled to the deployable component. Proximal actuation of the manipulation portion of the trigger moves the drive portion of the trigger distally to thereby urge the rocker distally, pivot the linkage about the second end portion thereof, and slide the slider distally along the longitudinal axis to deploy the deployable component distally through the shaft.

In an aspect of the present disclosure, the slider is a spindle housing configured to capture a pin associated

5

within the deployable component therein such that distal sliding of the spindle housing along the longitudinal axis deploys the deployable component distally through the shaft.

In another aspect of the present disclosure, the pin is received within an annular groove defined within the spindle housing to permit rotation of the pin and the deployable component relative to the spindle housing.

In still another aspect of the present disclosure, the spindle housing includes first and second housing parts interconnected by a living hinge and configured to engage one another in a closed position to define an interior of the spindle housing. Each of the first and second housing parts, in such aspects, may include a pivot boss extending therefrom wherein the rocker includes a pair of spaced-apart forked connectors configured to engage the pivot bosses to thereby pivotably couple the rocker with the spindle housing on either side thereof.

In yet another aspect of the present disclosure, the rocker defines a "T"-shaped configuration including an upright and a crossbar. The drive portion of the trigger and the first end portion of the linkage are pivotably coupled to opposing end portions of the crossbar and the slider is pivotably coupled to a free end of the upright.

In another aspect of the present disclosure, the surgical instrument further includes an end effector assembly supported at a distal end portion of the shaft, a movable handle operably coupled to the housing, and a drive assembly operably coupled between the movable handle and the end effector assembly such that actuation of the movable handle manipulates the end effector assembly. The movable handle is operably coupled to the housing and the drive assembly at locations proximally of the trigger assembly.

In still yet another aspect of the present disclosure, the surgical instrument further includes a rotation assembly disposed between the trigger assembly and the locations where the movable handle is operably coupled to both the housing and the drive assembly.

In another aspect of the present disclosure, the shaft extends proximally through the housing to the rotation assembly wherein a rotation wheel of the rotation assembly is fixedly engaged with the shaft.

In yet another aspect of the present disclosure, the drive assembly includes an inner drive extending through the shaft and the deployable component is slidably disposed within the inner drive.

Another surgical instrument provided in accordance with aspects of the present disclosure includes a housing, a shaft extending distally from the housing, an end effector assembly supported at a distal end portion of the shaft and including first and second jaw members at least one of the first or second jaw members movable relative to the other between a spaced-apart position and an approximated position for grasping tissue therebetween, and a drive assembly. The drive assembly includes a movable handle pivotably coupled to the housing, a carriage slidably disposed within the housing and operably coupled to the movable handle, an inner drive extending from the housing through the shaft and operably coupled to the end effector assembly such that translation of the inner drive moves the at least one of the first or second jaw members between the spaced-apart and approximated positions, and a spring assembly operably coupling the carriage and the inner drive. The spring assembly includes inner and outer coil springs arranged in a nested configuration. Initial actuation of the movable handle slides the carriage such that the spring assembly transfers the sliding of the carriage into translation of the inner drive until

6

a threshold jaw force applied by the first and second jaw members to tissue grasped therebetween is reached. Subsequent actuation of the movable handle slides the carriage to compress the spring assembly to substantially maintain a position of the inner drive, thereby inhibiting the first and second jaw members from applying a jaw force that exceeds the threshold jaw force.

In an aspect of the present disclosure, the drive assembly further includes a linkage having a first end portion pivotably coupled to the movable handle and a second end portion pivotably coupled to the carriage.

In another aspect of the present disclosure, the shaft defines a longitudinal axis and actuation of the movable handle pivots the linkage from a more-angled orientation relative to the longitudinal axis to a more-aligned orientation relative to the longitudinal axis.

In yet another aspect of the present disclosure, in a fully actuated position of the movable handle, a pivot point about which the movable handle is pivotably coupled to the housing, a pivot point about which the linkage is coupled to the movable handle, and a pivot point about which the linkage is coupled to the carriage are substantially aligned with one another.

In still another aspect of the present disclosure, the inner drive includes a proximal drive sleeve and the drive assembly further includes a first collar fixedly engaged about the proximal drive sleeve distally of the slider, a second collar slidably disposed about the proximal drive sleeve and positioned between the spring assembly and a neck of the carriage such that translation of the carriage in response to actuation of the movable handle urges the second collar into the spring assembly, and a third collar fixedly engaged about the proximal drive sleeve proximally of the spring assembly such that the spring urges the third collar to translate in response to the initial actuation of the movable handle and such that the spring assembly is compressed against the third collar in response to the subsequent actuation of the movable handle.

In another aspect of the present disclosure, the drive assembly still further includes a proximal stop collar fixed relative to the housing and positioned proximally of the third collar and a return spring disposed between the proximal stop collar and the third collar and configured to bias the movable handle towards an un-actuated position.

In still yet another aspect of the present disclosure, the inner drive includes a proximal drive sleeve and a distal frame engaged with the proximal drive sleeve at a distal end portion of the proximal drive sleeve.

In another aspect of the present disclosure, the distal frame includes first and second frame plates engaged to one another in side-by-side manner.

In yet another aspect of the present disclosure, the shaft includes a distal tube guide defining a slot and the distal frame is slidably received within the slot.

In still another aspect of the present disclosure, a latch assembly is operably coupled between the movable handle and the housing such that upon movement of the movable handle from an un-actuated position through an actuated position to an over-actuated position and back to the actuated position, the latch assembly locks the movable handle in the actuated position, thereby locking the first and second jaw members in the approximated position.

In another aspect of the present disclosure, the initial actuation of the movable handle corresponds to at least a portion of the movement of the movable handle from the un-actuated position to the actuated position, and the sub-

sequent actuation of the movable handle corresponds to the movement of the movable handle from the actuated position to the over-actuated position.

In another aspect of the present disclosure, an activation button is disposed on the housing in an actuation path of the movable handle such that, upon movement of the movable handle from an un-actuated position through an actuated position to an activated position, the movable handle activates the activation button to thereby supply energy to at least one of the first or second jaw members.

In yet another aspect of the present disclosure, the initial actuation of the movable handle corresponds to at least a portion of the movement of the movable handle from the un-actuated position to the actuated position, and wherein the subsequent actuation of the movable handle corresponds to the movement of the movable handle from the actuated position to the activated position.

Another surgical instrument provided in accordance with the present disclosure includes a housing, a shaft extending distally from the housing and defining a distal end portion including a clevis extending distally therefrom, a guide engaged with the distal end portion of the shaft within the clevis and defining a slot, an end effector assembly supported by the clevis, and a drive assembly. The end effector assembly includes first and second jaw members at least one of which is movable relative to the other between a spaced-apart position and an approximated position for grasping tissue therebetween. The drive assembly includes a movable handle pivotably coupled to the housing and an inner drive including a proximal drive sleeve and a distal drive frame. The proximal drive sleeve is operably coupled to the movable handle within the housing and extends distally from the housing through a portion of the shaft. The distal drive frame is engaged with a distal end portion of the proximal drive sleeve within the shaft and extends distally therefrom through the slot to operably couple to the at least one of the first or second jaw members such that translation of the inner drive moves the at least one of the first or second jaw members between the spaced-apart and approximated positions.

In an aspect of the present disclosure, the drive assembly further includes a carriage slidably disposed within the housing and operably coupled to the movable handle, and a spring assembly operably coupling the carriage and the proximal drive sleeve. Initial actuation of the movable handle slides the carriage such that the spring assembly transfers the sliding of the carriage into translation of the proximal drive sleeve until a threshold jaw force applied by the first and second jaw members to tissue grasped therebetween is reached. Subsequent actuation of the movable handle slides the carriage to compress the spring assembly to substantially maintain a position of the proximal drive sleeve, thereby inhibiting the first and second jaw members from applying a jaw force that exceeds the threshold jaw force.

In another aspect of the present disclosure, the spring assembly includes an inner spring and an outer spring arranged in a nested configuration.

In still another aspect of the present disclosure, each of the first and second jaw members includes a cam slot and a pivot aperture. A cam pin is slidably received in the cam slots and a pivot pin is pivotably engaged within the pivot aperture. The cam pin and the pivot pin may be captured within the clevis.

In yet another aspect of the present disclosure, the cam pin and the pivot pin are positioned distally of the guide. In such aspects, the cam pin may be engaged with the distal drive

frame such that translation of the distal drive frame translates the cam pin through the cam slots to move the at least one of the first or second jaw members between the spaced-apart and approximated positions.

In still yet another aspect of the present disclosure, the surgical instrument further includes a knife slidable through the distal drive frame from a retracted position to an extended position wherein the knife extends between the first and second jaw members to cut tissue grasped therebetween.

BRIEF DESCRIPTION OF THE DRAWINGS

The above and other aspects and features of the present disclosure will become more apparent in view of the following detailed description when taken in conjunction with the accompanying drawings wherein like reference numerals identify similar or identical elements.

FIG. 1 is a perspective view of an energy-based surgical instrument provided in accordance with the present disclosure;

FIG. 2 is a first side perspective view of a proximal portion of the instrument of FIG. 1 with a portion of the housing removed to illustrate internal features therein;

FIG. 3 is a second, opposite side perspective view of the proximal portion of FIG. 2 with a portion of the housing removed to illustrate internal features therein;

FIG. 4 is an exploded, perspective view of the instrument of FIG. 1;

FIG. 5 is an enlarged view of the area of detail indicated as "5" in FIG. 1 illustrating a distal portion of the instrument of FIG. 1;

FIG. 6 is a top view of the distal portion of FIG. 5;

FIG. 7 is a perspective view of the distal portion of FIG. 5 from an opposite side as illustrated in FIG. 5;

FIG. 8 is a perspective view of the distal portion as illustrated in FIG. 7, with an outer shaft removed to illustrate internal features therein;

FIG. 9 is an enlarged view of the area of detail indicated as "9" in FIG. 4;

FIG. 10 is a perspective view of a structural jaw frame of one of the jaw members of the instrument of FIG. 1;

FIG. 11 is a side view of the structural jaw frame of FIG. 10;

FIG. 12 is a top view of a proximal portion of the structural jaw frame of FIG. 10 in a partially-manufactured condition;

FIG. 13 is an enlarged view of the area of detail indicated as "13" in FIG. 4, providing an exploded, perspective view of a knife assembly of the instrument of FIG. 1;

FIG. 14 is a perspective view of the knife assembly of FIG. 13 in an assembled condition;

FIG. 15 is an enlarged view of the area of detail indicated as "15" in FIG. 4 providing an exploded, perspective view of a trigger assembly of the instrument of FIG. 1;

FIGS. 16 and 17 are perspective views of a spindle of the trigger assembly of FIG. 15 in closed and open positions, respectively;

FIG. 18 is an enlarged view of the area of detail indicated as "18" in FIG. 4 providing a perspective view of a rotation assembly of the instrument of FIG. 1;

FIG. 19 is another perspective view of the rotation assembly of FIG. 18;

FIG. 20 is an exploded, perspective view of the rotation assembly of FIG. 18;

FIG. 21 is an exploded, perspective view of a drive assembly of the instrument of FIG. 1;

FIG. 22 is a transverse, cross-sectional view taken across section line “22-22” of FIG. 3;

FIG. 23 is an enlarged view of the area of detail indicated as “23” in FIG. 22;

FIG. 24 is a transverse, cross-sectional view taken across section line “24-24” of FIG. 3;

FIG. 25 is a transverse, cross-sectional view taken across section line “25-25” of FIG. 3;

FIG. 26 is an enlarged view of the area of detail indicated as “26” in FIG. 4, providing a front perspective view of an activation assembly of the instrument of FIG. 1;

FIG. 27 is a rear, perspective view of the activation assembly of FIG. 26;

FIG. 28 is a longitudinal, cross-sectional view taken across section line “28-28” of FIG. 1, wherein a movable handle of the drive assembly of the instrument is disposed in an un-actuated position;

FIG. 29 is an enlarged view of the area of detail indicated as “29” in FIG. 28;

FIG. 30 is an enlarged view of the area of detail indicated as “30” in FIG. 28;

FIG. 31 is a longitudinal, cross-sectional view of the instrument of FIG. 1 illustrating transition of the movable handle from the un-actuated position towards an actuated position;

FIG. 32 is an enlarged view of the area of detail indicated as “32” in FIG. 31;

FIG. 33 is an enlarged view of the area of detail indicated as “33” in FIG. 31;

FIG. 34 is a longitudinal, cross-sectional view of a proximal portion of the instrument of FIG. 1 illustrating the movable handle in an activated position activating the activation assembly;

FIG. 35 is a longitudinal, cross-sectional view of a proximal portion of the instrument of FIG. 1 illustrating actuation of a trigger of the trigger assembly to deploy the knife assembly;

FIG. 36 is a longitudinal, cross-sectional view of a distal portion of the instrument of FIG. 1 illustrating deployment of the knife assembly;

FIG. 37 is a rear perspective view of a proximal portion of another energy-based surgical instrument provided in accordance with the present disclosure;

FIG. 38 is a perspective view of the proximal portion of the instrument of FIG. 37 with a portion of the housing removed to illustrate internal features therein;

FIG. 39 is an enlarged perspective view of the area of detail indicated as “39” in FIG. 38 illustrating a latch mechanism;

FIG. 40 is an enlarged, side view of the latch mechanism of FIG. 39 in an unlatched condition; and

FIG. 41 is an enlarged perspective view of the latch mechanism of FIG. 38 disposed in a latched condition.

DETAILED DESCRIPTION

Referring generally to FIGS. 1-5, an energy-based surgical instrument provided in accordance with the present disclosure and configured for grasping, treating, and/or dividing tissue is shown generally identified by reference numeral 10. Instrument 10 includes a shaft 100, a housing 200, a drive assembly 300, a rotation assembly 400, a trigger assembly 500, a knife assembly 600, an end effector assembly 700, an activation assembly 800, and a cable 900. Cable 900 may be initially wound in an oval-shape configuration

for packaging, may be wound to define a figure-eight configuration, or may define any other suitable configuration for packaging.

Shaft 100 extends distally from housing 200 and supports end effector assembly 700 at a distal end portion 104 thereof. More specifically, shaft 100 includes a proximal collar 110 engaged about a proximal end portion 102 thereof that is rotatably secured within housing 200 to rotatably support proximal end portion 102 within housing 200. Proximal end portion 102 of shaft further defines a pair of opposed longitudinally-extending slots 112 and a proximal cut-out 114.

Distal end portion 104 of shaft 100 defines a clevis 120 within which fixed jaw member 760 of end effector assembly 700 is fixedly secured. More specifically, clevis 120 defines weld access apertures 122 through the spaced-apart flags 124, 126 thereof that facilitate laser welding of the spaced-apart flags 766, 768 of proximal flag portion 764 of fixed jaw member 760 to flags 124, 126 of clevis 120, respectively, on the respective interior sides of flags 124, 126 of clevis 120. Other weld locations may additionally or alternatively be provided and/or proximal flag portion 764 of fixed jaw member 760 may be secured within clevis 120 in any other suitable manner. One of the flags 124, 126 of clevis 120, e.g., flag 124 further defines a cut-out 128 (FIG. 5) wherein material extending proximally from a portion of a distal edge of flag 124 and material extending downwardly from an upper edge of flag 124 is removed. However, it is noted that cut-out 128 need not be cut out from the material forming flag 124 after manufacture but, rather, cut-out 128 of flag 124 can be defined upon formation of flag 124. The other flag 126 of clevis 120 defines an angled distal edge 130 that is angled inwardly, e.g., wherein an outer surface of flag 126 extends further distally as compared to an inner surface thereof with angled distal edge 130 interconnecting the outer and inner surfaces of flag 126 (see FIG. 6).

With the exception of weld access apertures 122, the outer surfaces of flags 124, 126 of clevis 120 are smooth and continuous, e.g., without interruption from, for example, cam slots, pivot apertures, etc. Thus, entry of fluids, debris, etc. is inhibited as is catching on or interference by a trocar, other instrument, tissue, debris, etc.

Continuing with reference to FIGS. 1-5, housing 200 of instrument 10 includes first and second housing parts 210, 220, e.g., formed from molding, secured to one another, e.g., via ultrasonic welding, to operably support and/or enclose various components of instrument 10 within housing 200. Housing parts 210, 220, more specifically, may be each be formed from a first shot injection mold and, thereafter, a second shot injection mold may be applied to either or both of housing parts 210, 220 to, for example, define a non-slip grip surface 260. Additionally or alternatively, the second shot injection mold may flow along a runner system defined within either or both housing parts 210, 220 to define internal features such as, for example, wire routing features 234. In some configurations, logos and/or other indicia 270 may be defined as a cut-out through housing part 210 and/or housing part 220 via the first shot injection mold and, then, may be filled with material via the second shot injection mold to provide contrasting color, texture, etc. Thus, the second shot injection mold may define various features associated with housing 200 in a single step, thereby facilitating manufacturing.

Housing parts 210, 220 may either, both, or collectively, define: alignment features 230 (e.g., complementary pegs and apertures, inter-engaging outer edges, etc.) configured to facilitate alignment of housing parts 210, 220 for secure-

ment to one another and to maintain alignment thereof; a cable aperture 232 configured to enable passage of cable 900 into housing 200; wire routing features 234 (e.g., guide slots, retention caps, etc.) configured to guide the lead wires 910, 920 from activation assembly 800 to rotation assembly 400 while inhibiting interference thereof with the other operable components within housing 200; an activation button aperture 236 through which activation button 810 of activation assembly 800 protrudes; board support 238 for supporting circuit board 820 of activation assembly 800; a movable handle and trigger slot 240 through which movable handle 310 of drive assembly 300 and trigger 510 of trigger assembly 500 extend from housing 200; opposed rotation wheel windows 242 configured to receive opposed sides of rotation wheel 410 of rotation assembly 400; a distal aperture 244 through which shaft 100 extends distally from housing 200; guide tracks 246 to guide translation of carriage 330 of drive assembly 300; movable handle pivot recesses 248 configured to enable pivotable engagement of movable handle 310 within housing 200; first and second trigger assembly pivot recesses 250, 252 configured to enable pivotable engagement of trigger 510 and linkage 530 of trigger assembly 500 within housing 200; and a partition 254 defining a shaft aperture 256 configured to receive and rotatably support proximal collar 110 and proximal end portion 102 of shaft 100. Housing 200 further includes a body portion 280 and a fixed handle portion 290 depending from body portion 280.

With reference to FIGS. 5-9, end effector assembly 700 is disposed at distal end portion 104 of shaft 100 and includes a movable jaw member 720 and fixed jaw member 760. Jaw members 720, 760 define curved configurations (See FIGS. 5 and 6), although other configurations are also contemplated. Each jaw member 720, 760 includes a structural jaw frame 722, 762, an insulative jaw body 740, 780, and an electrically-conductive plate 750, 790. Each structural jaw frame 722, 762 includes a proximal flag portion 724, 764, respectively, and a distal body portion 725 (only distal body portion 725 of jaw member 720 is shown, the distal body portion of jaw member 760 is similarly configured) extending distally from the respective proximal flag portion 724, 764. Each proximal flag portion 724, 764 includes a pair of spaced-apart flags 726, 728 and 766, 768, respectively. The flags 726, 728 of proximal flag portion 724 of structural jaw frame 722 of jaw member 720 include aligned arcuate cam slots 730 and aligned pivot apertures 732 defined therethrough. The flags 766, 768 of proximal flag portion 764 of structural frame 762 of jaw member 760 include aligned longitudinal cam slots 770 and aligned pivot apertures 772. In an assembled condition of end effector assembly 700, the flags 726, 728 of jaw member 720 are disposed within proximal flag portion 764 of jaw member 760 with each flag 726, 728 disposed adjacent and internally of a corresponding flag 766, 768 of jaw member 760. In this manner, proximal flag portion 724, 764 define a nested configuration.

A pivot pin 702 is configured to extend through aligned pivot apertures 732, 772 to pivotably couple jaw members 720, 760 with one another, while a cam pin 704 is configured for receipt within cam slots 730, 770 to operably couple jaw members 720, 760 with one another, e.g., such that translation of cam pin 704 through cam slots 730, 770 pivots jaw member 720 relative to jaw member 760. Arcuate cam slots 730 facilitate smooth and consistent pivoting of jaw member 720, e.g., inhibiting binding, while longitudinal cam slots 770 facilitate guiding translation of cam pin 704.

With additional reference to FIGS. 10-12, the distal body portions 725 of structural jaw frames 722, 762 extend

distally from the respective proximal flag portions 724, 764. As noted above, only distal body portion 725 of jaw member 720 is shown; the distal body portion of jaw member 760 is similarly configured and, thus, reference herein to distal body portion 725 applies equally to the distal body portion of jaw member 760, except as explicitly contradicted herein. Distal body portion 725, more specifically, define a U-shaped base 734 along the majority of the length thereof; however, distal body portion 725 also includes a pair of spaced-apart fingers 736 extending distally from the distal ends of the uprights of U-shaped base 734. Unlike U-shaped base 734, the spaced-apart fingers 736 are not interconnected by a backspan. The uprights of U-shaped base 734 may include apertures 738 to facilitate overmold retention of insulative jaw body 740 and/or to facilitate manufacture of structural jaw frame 722.

Typically, structural jaw frames are formed via progressive die stamping (or other suitable stamping process), wherein the structural jaw frame is punched from stock material and bent to achieve the desired configuration. Progressive die stamping is advantageous in that it facilitates high volume production. Structural jaw frame 722, however, includes features that make difficult if not inhibit utilization of progressive die stamping. In particular, cam slots 730 extend close to the edge of flags 726, 728, forming thin sections that are not wide enough for die stamping tools, and, likewise, the spacing between flags 726, 728 relative to the height of flags 726, 728 (before bending) is too narrow for die stamping tools. Thus, as an alternative to progressive die stamping, wherein the features are punched into the blank, structural jaw frame 722 may be formed from laser cutting the blanks, wherein structural jaw frame 722 is first cut from sheet stock and/or roller stock using a modulated fiber laser system, e.g., to form cam slots 730 and pivot aperture 732, among other features, and is then fed to tooling to create the additional features, e.g., bends, coins, etc., thereof.

The laser cutting and formation process for manufacturing structural jaw frame 722 may be done in a number of ways such as, for example: the laser cut parts can be singulated, and fed into stage form tooling or transfer tooling (in a manual or automated fashion); the laser cut parts can remain in strips cut to length and fed into stage form tooling, transfer tooling, or progressive tooling (in a manual or automated fashion); or the laser cut parts can remain on a continuous strip and be fed into stage form tooling, transfer tooling, or progressive tooling.

The structural jaw frame 762 of jaw member 760 (FIG. 9) may be formed in a similar manner as structural jaw frame 722 or may be formed via progressive die stamping (or other suitable stamping process).

Referring again to FIGS. 5-9, the insulative jaw body 740, 780 of each jaw member 720, 760 may be formed from one or more overmolds. For example, a first overmold of insulative material about the structural jaw frame 722, 762 may be provided to define an insulative insert and, subsequent to positioning of the electrically-conductive plate 750, 790 thereon, a second overmold may be provided to secure the electrically-conductive plate 750, 790 to the structural jaw frame 722, 762 and form an outer housing. Alternatively, a single-shot overmold may be utilized, a separate insert may be utilized instead of an overmolded insert, etc. As illustrated in FIG. 6, insulative jaw body 740 of jaw member 720 defines an angled proximal edge 742 on one side thereof that is positioned to oppose and shaped complementary to angled distal edge 130 of flag 126 of clevis 120. In this manner, flag 126 of clevis 120 extends distally beyond at least a portion

of angled proximal edge 742, outwardly thereof, thus protecting angled proximal edge 742 and inhibiting angled proximal edge 742 from getting caught and potentially breaking, e.g., upon removal of instrument 10 (FIG. 1) from a trocar (not shown), other manipulation thereof, etc.

Continuing with reference to FIGS. 5-9, electrically-conductive plates 750, 790 are positioned to oppose one another and are electrically-isolated from structural jaw frames 722, 762 via insulative jaw bodies 740, 780, respectively. One or both electrically-conductive plate 750, 790 may include a series of stop members 792 configured to maintain a gap between electrically-conductive plates 750, 790 and inhibit electrical shorting therebetween, e.g., by being formed from an insulative material or by being electrically-isolated from one or both of the electrically-conductive plates 750, 790. Stop members 792 may be the same or different heights and/or the same or different diameters. Further, not all stop members 792 need to contact the opposing electrically-conductive plate 750, 790 to maintain the gap; rather, some stop members 792 may be configured to facilitate gripping tissue. Stop members 792 may be arranged in an asymmetric pattern as illustrated although symmetric configurations are also contemplated.

Each electrically-conductive plate 750, 790 includes a lead wire 754, 794 attached thereto and extending proximally therefrom through shaft 100. More specifically, lead wires 754, 794 are attached, e.g., soldered, to undersides of electrically-conductive plates 750, 790, respectively, and extend proximally through insulative jaw bodies 740, 780, proximally therefrom, and into shaft 100. Lead wires 754, 794 are disposed on opposite sides of end effector assembly 700 and are positioned exteriorly of proximal flag portions 724, 764 of jaw members 720, 760, respectively. Lead wire 754 of jaw member 720, the movable jaw member, extends across, on the interior side thereof, cut-out 128 of flag 124 of clevis 120, thus enabling movement of lead wire 754 as jaw member 720 is pivoted relative to jaw member 760 and clevis 120 without catching of lead wire 754 on clevis 120 or clevis 120 otherwise constraining the movement of lead wire 754 in response to the pivoting of jaw member 720.

Insulative jaw bodies 740, 780 and electrically-conductive plates 750, 790 of jaw members 720, 760, respectively, cooperate to define knife channel portions 758, 798 extending longitudinally therethrough. Knife channel portions 758, 798 define open proximal ends to permit insertion of knife blade 626 therein and closed distal ends that terminate proximally of the distal ends of electrically-conductive plates 750, 790. Knife channel portions 758, 798 define curved configurations that generally conform to the curvature of jaw members 720, 760. In the approximated position of jaw members 720, 760, knife channel portions 758, 798 align with one another to define a full knife channel to facilitate and guide reciprocation of knife blade 626 through jaw members 720, 760 to cut tissue, e.g., treated tissue, grasped therebetween.

As detailed above, clevis 120 defines weld access apertures 122 through the spaced-apart flags 124, 126 thereof that facilitate laser welding of the spaced-apart flags 766, 768 of proximal flag portion 764 of fixed jaw member 760 to flags 124, 126 of clevis 120, respectively, on the respective interior sides of flags 124, 126 of clevis 120. This welding of proximal flag portion 764 of fixed jaw member 760 to flags 124, 126 of clevis 120 captures pivot pin 702 and cam pin 704 between flags 124, 126 of clevis 120, thereby securing pivot pin 702 within aligned pivot apertures 732, 772 of jaw members 720, 760 and securing cam pin 704 within cam slots 730, 770 of jaw members 720, 760.

Proximal flag portions 724, 764 of jaw members 720, 760 cooperate with clevis 120 to define a lockbox configuration, adding lateral stability and support to end effector assembly 700.

Jaw member 720 is pivotable relative to jaw member 760 and clevis 120 about pivot pin 702 in response to translation of cam pin 704 through cam slots 730, 770 between a spaced-apart position, wherein electrically-conductive plate 750, 790 are farther apart from one another, and an approximated position, wherein electrically-conductive plates 750, 790 are in closer approximation to one another. More specifically, proximal translation of cam pin 704 through cam slots 730, 770 pivots jaw member 720 towards the approximated position, while distal translation of cam pin 704 through cam slots 730, 770 pivots jaw member 720 towards the spaced-apart position. In the approximated position, jaw members 720, 760 are capable of grasping tissue between electrically-conductive plates 750, 790 thereof. Lead wires 754, 794 are adapted to connect to a source of electrosurgical energy, e.g., an electrosurgical generator (not shown), such that, upon activation, electrically-conductive plates 750, 790 are energized to different potentials to enable the conduction of energy therebetween and through the grasped tissue to treat, e.g., seal, the grasped tissue.

With reference to FIGS. 13 and 14, in conjunction with FIGS. 4 and 7-9, knife assembly 600 includes a knife 610 formed from a distal knife bar 620 and a proximal knife bar 630. Knife assembly 600 further includes a spindle pin 640 and tube plug 650 associated with proximal knife bar 630. Knife 610 is selectively translatable, in response to actuation of trigger assembly 500 (FIG. 4) between a retracted position (see FIG. 32), wherein knife blade 626 of knife 610 is positioned proximally of electrically-conductive plates 750, 790 of jaw members 720, 760, respectively, and an extended position (see FIG. 36), wherein knife blade 626 of knife 610 extends distally through knife channel portions 758, 798 of jaw members 720, 760, respectively, to cut tissue, e.g., treated tissue, grasped therebetween.

Distal knife bar 620 is formed by an etching process (or in any other suitable manner) and includes a body 622 defining a longitudinally-extending cut-out 624 and a knife blade 626 at a distal end thereof, distally of longitudinally-extending cut-out 624. A proximal end portion of body 622 of distal knife bar 620 overlaps a distal end portion of proximal knife bar 630 in side-by-side arrangement to enable securement therebetween, e.g., via laser welding. A laser weld aperture 623 may be defined through body 622 to facilitate such securement. Alternatively or additionally, a weld aperture may be defined through proximal knife bar 630 for similar purposes.

Distal knife bar 620 defines a reduced height as a result of and along the extent of longitudinally-extending cut-out 624. This reduced height portion of distal knife bar 620 enables distal knife bar 620 to extend underneath pivot pin 702 and cam pin 704 (see FIGS. 29 and 32) and defines a suitable length such that the greater-height portions of distal knife bar 620 do not interfere with and are not interfered by pivot pin 702 and cam pin 704 regardless of the relative positioning between pivot pin 702, cam pin 704, and distal knife bar 620.

Knife blade 626 defines an etched distal cutting edge 628 that may define a generally arrow-shaped configuration wherein first and second angled cutting edges 629a angle proximally from a distal apex 629b. Distal cutting edge 628 may be formed via etching on one side of knife blade 626 or

both sides thereof and is sharp to facilitate cutting through tissue upon translation of knife blade **626** to the extended position.

Proximal knife bar **630** is formed by a stamping process (or in any other suitable manner, similar or different from the formation of distal knife bar **620**) and, as noted above, defines a distal end portion that overlaps the proximal end portion of body **622** of distal knife bar **620** in side-by-side arrangement to enable securement therebetween, e.g., via laser welding. Proximal knife bar **630** is configured for slidable receipt within tube plug **650** and includes a proximal aperture **632** configured for receipt of spindle pin **640** transversely therethrough. Spring pin **640** extends transversely through and outwardly from either side of a longitudinal slot **652** defined within tube plug **650**. Longitudinal slot **652** define a suitable length to accommodate translation of spindle pin **640** relative to tube plug **650** to actuate knife blade **626** between the retracted and extended positions.

Tube plug **650** is configured for slidable receipt within proximal drive sleeve **360** of drive assembly **300** and serves to maintain the position and orientation of knife **610** therein (see FIGS. **30** and **33**). Tube plug **650** further includes one or more wire guide channels **654** on either side thereof to guide lead wires **754**, **794** through proximal drive sleeve **360** to end effector assembly **700**. Tube plug **650** also serves to substantially inhibit fluid within proximal drive sleeve **360** from passing proximally beyond tube plug **650** and into housing **200**.

Referring to FIGS. **2-4**, **7-9**, **21**, and **22**, drive assembly **300** includes a movable handle **310**, a linkage **320**, a carriage **330**, a nested spring assembly **340**, a return spring **350**, a proximal drive sleeve **360**, a distal drive frame **370**, a sliding collar **380**, first and second fixed (relative to drive sleeve **360**) collars **392** and **394**, respectively, and a proximal stop collar **396**. Movable handle **310** includes a body **312** disposed within housing **200** and having pivot bosses **314** extending transversely outwardly from either side thereof. Body **312** is pivotably coupled to housing **200** within housing **200** via receipt of pivot bosses **314** within movable handle pivot recesses **248** of housing parts **210**, **220**. Movable handle **310** further includes a grasping portion **318** that depends from body **312** and extends from housing **200** through movable handle and trigger slot **240** to enable manual manipulation by a user. Movable handle **310** is pivotable relative to housing **200** between an un-actuated position (FIG. **28**), wherein grasping portion **318** of movable handle **310** is farther spaced-apart from fixed handle portion **290** of housing **200**, an actuated position (FIG. **31**), wherein grasping portion **318** is more closely approximated relative to fixed handle portion **290** of housing **200**, and an activation position (FIG. **34**), wherein grasping portion **318** is even further approximated towards fixed handle portion **290** of housing **200** to activate activation button **810** of activation assembly **800**. Movable handle **310** also includes first and second spaced-apart knife lockout protrusions **316**, **317** protruding distally from body **312** and grasping portion **318**, respectively.

Linkage **320** is disposed within housing **200**, pivotably coupled to body **312** of movable handle **310** at a distal end portion thereof, and pivotably coupled to carriage **330** at a proximal end portion thereof. In this manner, pivoting of movable handle **310** from the un-actuated position towards the actuated position urges linkage **320** proximally and also pivots linkage **320** from a more-angled orientation to a more-longitudinal orientation.

Carriage **330** is slidably received within body portion **280** of housing **200** and, more specifically, includes bosses **332**

extending outwardly from either side thereof that are received within guide tracks **246** of housing **200** to guide translation of carriage **330** through and relative to body portion **280** of housing **200**. Carriage **330** includes a body **334** defining a seat **336**, and a bifurcated neck **338** extending upwardly from body **334** at a proximal end portion thereof on either side of proximal drive sleeve **360**, which extends through carriage **330**. First fixed collar **392** is fixed about proximal drive sleeve **360**, e.g., via keyed engagement, and is positioned distally of bifurcated neck **338** of carriage **330** to define a distal stop to sliding of carriage **330** about drive sleeve **360**. Sliding collar **380** is slidably disposed about proximal drive sleeve **360** and is positioned within seat **336** proximally of bifurcated neck **338**. Nested spring assembly **340**, including an outer compression spring **342** and an inner compression spring **344** nested within outer compression spring **342**, is also seated within seat **336** and positioned proximally of sliding collar **380**. Inner and outer compression springs **342**, **344** are slidably disposed about proximal drive sleeve **360**. Second fixed collar **394** is fixed about proximal drive sleeve **360**, e.g., via keyed engagement, and is positioned proximally of nested spring assembly **340**. Proximal stop collar **396** is fixed within housing **200** and slidably about a proximal end portion of proximal drive sleeve **360**. Proximal stop collar **396** may be slidably engaged within a keyway defined within proximal drive sleeve **360** or may be coupled thereto in any other suitable manner. Return spring **350** may be a conical spring and is disposed about proximal drive sleeve **360** between second fixed collar **394** and proximal stop collar **396**.

Proximal drive sleeve **360** defines opposed longitudinally-extending slots **364** defined therethrough to enable spindle pin **640** to extend through and outwardly from either side of proximal drive sleeve **360** while still enabling relative sliding of proximal drive sleeve **360** and spindle pin **640** relative to one another. Spindle pin **640** also extends through opposed longitudinally-extending slots **112** of shaft **100** and outwardly from either side thereof. Slots **112**, **364** at least partially overlap regardless of the relative position between proximal drive sleeve **360** and shaft **100** such that spindle pin **640** is not interfered with. Slots **112**, **364** also provide a passage for lead wires **754**, **794** to extend there-through, enabling lead wires **754**, **794** to extend from rotation assembly **400** (external of shaft **100** and proximal drive sleeve **360**) through slots **112**, **364** and into proximal drive sleeve **360** (which is disposed within shaft **100**). As slots **112**, **364** at least partially overlap regardless of the relative position between proximal drive sleeve **360** and shaft **100**, lead wires **754**, **794** are likewise not interfered with.

With particular reference to FIGS. **8** and **9**, proximal drive sleeve **360** extends distally from housing **200** through shaft **100** to distal drive frame **370**. Distal drive frame **370** includes first and second frame plates **372**, **374** secured to and extending distally from a distal end portion of proximal drive sleeve **360**. First and second frame plates **372**, **374** and the distal end portion of proximal drive sleeve **360**, more specifically, include complementary engagement features **362** that capture first and second frame plates **372**, **374** within the distal end portion of proximal drive sleeve **360**. First and second frame plates **372**, **374** are vertically oriented and configured to slidably receive and guide distal knife bar **620** of knife **610** therebetween. First and second frame plates **372**, **374** further include aligned longitudinal slots **376** and aligned transverse apertures **378** that are configured to receive pivot pin **702** and cam pin **704**, respectively. As such, upon translation of proximal drive

sleeve 360, distal drive frame 370 is translated to thereby translate cam pin 704 relative to jaw members 720, 760 to pivot jaw member 720 between the spaced-apart and approximated positions.

A distal tube guide 150 is disposed between flags 124, 126 of clevis 120 at the fixed proximal ends thereof and extends proximally into distal end portion 104 of shaft 100. Distal tube guide 150 defines a vertical slot 152 configured to slidably receive and guide translation of distal drive frame 370. Distal tube guide 150 further includes a wire guide channel 154 on either side thereof. Wire guide channels 154 are configured to guide lead wire 754, 794 from jaw members 720, 760 about distal drive frame 370, into distal end portion 104 of shaft 100 and, from there, into proximal drive sleeve 360.

Referring again to FIGS. 2-4, 7-9, 21, and 22, and with additional reference to FIGS. 28-33, as a result of the above-detailed configuration, upon actuation of movable handle 310 from the un-actuated position towards the actuated position (and/or though the actuated position to the activated position), movable handle 310 urges linkage 320 proximally which, in turn, slides carriage 330 proximally. Proximal sliding of carriage 330 urges bifurcated neck 338 into sliding collar 380, thereby urging sliding collar 380 proximally. As sliding collar 380 is urged proximally, sliding collar 380 is urged into nested spring assembly 340. Initially, sliding collar 380 urges springs 342, 344 of nested spring assembly 340 to translate proximally without further compression of springs 342, 344 (springs 342, 344 are pre-compressed during assembly). Springs 342, 344, in turn, urge second fixed collar 394 proximally which thereby pushes proximal drive sleeve 360 proximally and compresses return spring 350 against proximal stop collar 396. The proximal movement of proximal drive sleeve 360 pulls distal drive frame 370 proximally such that cam pin 704 is pulled proximally relative to end effector assembly 700 to thereby pivot jaw member 720 relative to jaw member 760 from the spaced-apart position towards the approximated position.

When a force resisting further approximation of jaw member 720 towards jaw member 760, e.g., a force of tissue resisting compression, is sufficiently great, e.g., large enough to overcome the spring force of springs 342, 344, sliding collar 380 no longer urges springs 342, 344 of nested spring assembly 340 to translate proximally to further approximate jaw member 720 towards jaw member 760. Rather, in this condition, sliding collar 380 is urged into nested spring assembly 340 and compresses springs 342, 344 against second fixed collar 394 while second fixed collar 394 remains substantially stationary within housing 200. Thus, springs 342, 344 compress to absorb further motion of movable handle 310, linkage 320, and carriage 330, allowing proximal drive sleeve 360 and movable jaw member 720 to remain substantially stationary, thus inhibiting application of additional jaw force to tissue grasped between jaw members 720, 760. In this manner, drive assembly 300 and, in particular, springs 342, 344 thereof, control the application of jaw force to tissue grasped between jaw members 720, 760. Instrument 10 (FIG. 1) may be configured to provide a jaw force to tissue (measured at a midpoint along the lengths of electrically-conductive plates 750, 790 of jaw members 720, 760 in the approximated position grasping tissue therebetween) of about 3 kg/cm² to about 16 kg/cm².

Springs 342, 344 of nested spring assembly 340 are configured to control jaw force to within a desired range, e.g., 3 kg/cm² to about 16 kg/cm², and/or to limit jaw force to or below a threshold value. A single compression spring,

based on the design considerations for instrument 10, would be required to have a diameter of about 0.75 inches and a pre-loaded length of about 1.10 inches in order to provide the requisite force(s) for controlling jaw force. In order to provide a more compact design, nested springs 342, 344 are utilized in place of a single compression spring and provide a pre-loaded length of about 0.85 inches and a diameter of about 0.69 inches, thus providing a more compact configuration. Springs 342, 344 may define the same or different at-rest lengths, spring constants, wire diameters, etc. The overall diameters of springs 342, 344 are different so as to enable spring 344 to be nested within spring 342.

In some configurations, a distal surface of sliding collar 380 and a proximally-facing surface of bifurcated neck 338 define cooperating rotational bearing surfaces, e.g., via application of lubricant therebetween, defined surface features (waves, bumps, etc.) on either or both surfaces, etc., to facilitating relative rotation therebetween when movable handle 310 is disposed in the actuated position corresponding to the approximated position of jaw members 720, 760. Alternatively or additionally, a bearing disc (not explicitly shown) may be disposed between sliding collar 380 and bifurcated neck 338 for similar purposes (with or without lubricant and/or defined surface features). In the actuated position of movable handle 310, bifurcated neck 338 is urged distally (directly or indirectly) into sliding collar 380, increasing friction therebetween, thus significantly increasing the difficulty of rotating shaft 100 (since sliding collar 380 is rotationally fixed about shaft 100 while bifurcated neck 338 is not rotatable with shaft 100). The above-noted bearing feature(s) reduce this friction, thereby facilitating rotation of shaft 100 when movable handle 310 is disposed in the actuated position corresponding to the approximated position of jaw members 720, 760.

Referring still to FIGS. 2-4, 7-9, 21, 22, and 28-33, upon release of movable handle 310, return spring 350 facilitates the return of moveable handle 310 towards the un-actuated position and, thus, the return of jaw member 720 towards the spaced-apart position. That is, the bias of return spring 350 towards a more elongated configuration urges second fixed collar 394 distally, thereby urging proximal drive sleeve 360 distally to return jaw member 720 towards the spaced-apart position. The urging of second fixed collar 394 distally also urges nested spring assembly 340 distally to, in turn, urge carriage 330 distally and thereby urge linkage 320 distally such that movable handle 310 is urged towards the un-actuated position.

The above-detailed drive assembly 300 also provides an over-center or near-over-center mechanism with respect to pivot bosses 314 and the pivot points about which linkage 320 is pivotably coupled with movable handle 310 and carriage 330. That is, pivoting of movable handle 310 from the un-actuated position towards the actuated position urges linkage 320 proximally and also pivots linkage 320 from a more-angled orientation to a more-longitudinal orientation, thereby moving the pivot point about which linkage 320 is pivotably coupled with movable handle 310 towards or, in some configuration, into, longitudinal alignment with pivot bosses 314 and the pivot point about which linkage 320 is pivotably coupled with carriage 330. This over-center or near-over-center configuration provides mechanical advantage that reduces the force necessary to urge movable handle 310 to the actuated position.

With reference to FIGS. 2-4, 15-17, and 23, trigger assembly 500 includes a trigger 510, a rocker 520, a linkage 530, a spindle housing 540, and a biasing spring 550. Trigger 510 includes a drive portion 512 disposed within housing

200 and a finger tab 514 that extends through movable handle and trigger slot 240 and from housing 200 to enable manual manipulation thereof. A pair of outwardly-extending pivot bosses 516 extend outwardly from trigger 210 between drive portion 512 and finger tab 514. Pivot bosses 516 are received within first trigger assembly pivot recesses 250 of housing 200 to thereby pivotably couple trigger 210 with housing 200. The free end of drive portion 512 of trigger 510 includes a pair of snap-fit legs 518 extending transversely therefrom.

Rocker 520 defines a "T"-shaped configuration including an upright 522 and a crossbar 524. Cross bar 524 defines first and second snap-fit recesses 525, 526 on either side of upright 522. First snap-fit recess 525 is configured to receive, in snap-fit engagement, snap-fit legs 518 of trigger 510 to pivotably couple drive portion 512 of trigger 510 with rocker 520. Upright 522 defines a bifurcated configuration including first and second spaced-apart bodies 527 extending from crossbar 524 to free ends thereof. Forked connectors 528 are defined at the free ends of first and second spaced-apart bodies 527.

Linkage 530 includes a first end 532 having a pair of snap-fit legs 534 extending transversely therefrom. Snap-fit legs 534 are configured for receipt, in snap-fit engagement, within second snap-fit recess 526 of crossbar 524 to pivotably couple linkage 530 with rocker 520. Linkage 530 further includes a second end 536 defining a pair of pivot bosses 538 extending outwardly therefrom. Pivot bosses 538 are pivotably received within second trigger assembly pivot recesses 252 of housing 200 to pivotably couple second end 536 of linkage 530 with housing 200. The above-detailed configuration of trigger 510, rocker 520, linkage 530, and housing 200 cooperate to define a four-bar mechanical linkage wherein drive portion 512 of trigger 510, crossbar 524 of rocker 520, and linkage 530 serve as the three moving linkages in the four-bar linkage and the portion of housing 200 extending between first and second trigger assembly recesses 250, 252 defines the fixed linkage in the four-bar linkage. The above-detailed pivotable connections between trigger 510 and housing 200, trigger 510 and rocker 520, linkage 530 and rocker 520, and linkage 530 and housing 200 define the four pivot points in the four-bar linkage. A four-bar linkage provides increased mechanical advantage and a compact configuration that and allows for a relatively shorter actuation stroke length of trigger 510 to deploy knife 610 a relatively longer distance.

Continuing with reference to FIGS. 2-4, 15-17, and 23, spindle housing 540 is formed from first and second housing parts 542, 544 monolithically formed as a single component, e.g., via molding, and connected to one another via a living hinge 546. In this manner, housing parts 542, 544 are pivotable about living hinge 546 and relative to one another between an open position, providing access to the interior of spindle housing 540, and a closed position, enclosing the interior of spindle housing 540. Housing parts 542, 544 may include corresponding snap-fit connectors to enable snap-fit connection therebetween to maintain the closed position, although other configurations are also contemplated. In the closed position, spindle housing 540 is configured for slidable and rotatable engagement about shaft 100 and, more specifically, about slots 112, 364 of shaft 100 and proximal drive sleeve 360, respectively. Further, each housing part 542, 544 defines a semi-annular groove on the interior surface thereof such that, in the closed position of spindle housing 540, an annular groove 548 is defined on the interior surface of spindle housing 540. Annular groove 548 is configured to receive, and longitudinally fix, the ends of

spindle pin 640 therein such that translation of spindle housing 540 about shaft 100 (and proximal drive sleeve 364) translates spindle pin 640 through slots 112, 364 and relative to shaft 100 and proximal drive sleeve 360, while permitting rotation of spindle pin 640 (and the remainder of knife assembly 600) relative to spindle housing 540. Each housing part 542, 544 also includes a pivot boss 549 extending outwardly therefrom. Pivot bosses 549 are configured to receive, in snap-fit engagement thereabout, forked connectors 528 of spaced-apart bodies 527 of upright 522 of rocker 520 to thereby pivotably couple rocker 520 with spindle housing 540. Biasing spring 550 is disposed about shaft 100 and positioned longitudinally between rocker 520 and proximal collar 110 of shaft 100 to bias spindle housing 540 in a proximal direction.

With additional reference to FIGS. 28, 29, and 34-36, in use, and initially with movable handle 310 in the un-actuated position corresponding to the spaced-apart position of jaw members 720, 760, trigger 510 is disposed in an un-actuated position corresponding to the retracted position of knife 610 (see FIGS. 28 and 29). In this position, knife lockout protrusions 316, 317 of movable handle 310 are positioned adjacent to and/or in contact with trigger 510 at spaced-apart positions along the height of trigger 510. Knife lockout protrusions 316, 317 serve to inhibit actuation of trigger 510 when movable handle 310 is disposed in the un-actuated position and, thus, when jaw members 720, 760 are disposed in the spaced-apart position. As an alternative or in addition to both protrusions 316, 317 serving a lockout features, one of the protrusion, e.g., protrusion 317 may facilitate kick-back, that is, return of trigger 510 to the un-actuated position thereof upon return of movable handle 310 towards the un-actuated position thereof.

With movable handle 310 in the actuated position (FIG. 31) (or the activated position (FIG. 34)) and, thus, jaw members 720, 760 disposed in the approximated position (FIG. 32), trigger 510 is permitted to be actuated. In order to actuate trigger 510, with reference to FIGS. 34-36, finger tab 514 of trigger 510 is pivoted proximally towards movable handle 310. Proximal pivoting of finger tab 514 pivots body 512 of trigger 510 distally since body 512 and finger tab 514 are on opposite sides of the pivot connecting trigger 510 with housing 200.

Distal pivoting of body 512 of trigger 510 urges crossbar 524 of rocker 520 distally. In order to permit this distal movement of crossbar 524 of rocker 520, linkage 530 is pivoted distally about second end 536 thereof. The distal movement of crossbar 524 of rocker 520 pulls upright 522 of rocker 520 distally and pivots upright 522 relative to spindle housing 540. The distal pulling of upright 522 pulls spindle housing 540 distally along shaft 100 such that spindle pin 640 is translated distally through slots 112, 364 to thereby advance knife 610 distally from the retracted position to the extended position wherein, as shown in FIG. 36, knife blade 626 extends through knife channel portions 758, 798 of jaw members 720, 760 and between electrically-conductive plates 750, 790 of jaw members 720, 760 to cut tissue grasped therebetween. As noted above, tube plug 650, distal drive frame 370, and distal tube guide 150 guide translation of knife 610 between the retracted and extended positions.

The distal translation of spindle housing 540 along shaft 100 to deploy knife 610 compresses spring 550 such that, upon release of trigger 510, the return force of spring 550 urges spindle housing 540 to return proximally, thereby urging rocker 520 to return proximally, linkage 530 to pivot

proximally about second end 536 thereof, and urging finger tab 514 of trigger 510 distally back to the un-actuated position thereof.

Turning to FIGS. 2-4, 18-20, 24, 25, 30, and 33, rotation assembly 400 includes a rotation wheel 410 and a continuous rotation assembly 420. Rotation wheel 410 includes a body 412 and a keyed central aperture 414 extending through body 412. Keyed central aperture 414 is configured to receive shaft 100 therethrough and engage proximal cut-out 114 of shaft 110 to thereby fixedly mount rotation wheel 410 about shaft 100. Rotation wheel 410 also includes a plurality of flutes 416 arranged annularly about an annular periphery thereof. Rotation wheel 410 protrudes outwardly through rotation wheel windows 242 defined within housing 200, such that flutes 416 may be manually manipulated by a user to rotation rotate wheel 410 relative to housing 200 from either side of housing 200. Rotation wheel 410 is rotatable continuously in either direction without limitation, e.g., infinitely in either direction. Rotation of rotation wheel 410 rotates shaft 100 relative to housing 200 and, via the interconnections therebetween, also effects rotation of distal tube guide 150, proximal drive sleeve 360, distal drive frame 370, end effector assembly 700, and knife assembly 600 relative to housing 200 in conjunction with the rotation of shaft 100 and rotation wheel 410. In this manner, end effector assembly 700 may be positioned in a desired orientation to facilitate grasping, treating, and/or dividing tissue.

Rotation wheel 410 further defines a proximally-facing recess 418 (see FIGS. 30 and 33) and a pair of pass-through connector slots 419. Pass-through connector slots 419 are configured to receive lead connectors 755, 795 secured at the proximal ends of lead wires 754, 794, respectively, and electrically coupled thereto. Lead wires 754, 794 extend from lead connectors 755, 795, into shaft 100 and proximal drive sleeve 360, distally through proximal drive sleeve 360, about distal drive frame 370, and to jaw members 720, 760 for electrically coupling with electrically-conductive plates 750, 790, respectively, as detailed above. The entireties of lead wires 754, 794 are rotatable in conjunction with the rotation of rotation wheel 410.

Continuous rotation assembly 420 includes a body 422, an inner contact ring 424 including an electrical connector 425 extending therefrom, an outer contact ring 426 including an electrical connector 427 extending therefrom, and first and second spring contacts 432, 434 each including a respective electrical connector 433, 435 extending therefrom. Body 422 is configured for rotatable engagement with rotation wheel 410, e.g., enabling rotation of rotation wheel 410 about body 422 and relative to housing 200, and includes a disc 436 and a frame 438 monolithically formed as a single piece, although other configurations are also contemplated. Disc 436 includes an outer rim 440 and a distally-facing surface 442 recessed relative to outer rim 440. Outer rim 440 of disc 436 is configured for rotatable receipt within proximally-facing recess 418 of rotation wheel 410, e.g., in snap-fit rotation engagement, such that a cavity is defined between distally-facing surface 442 of disc 436 and the recessed surface of proximally-facing recess 418 of rotation wheel 410. Frame 438 is configured to be fixedly captured within housing 200 (See FIG. 25) to thereby fix body 422 within and relative to housing 200. Thus, rotation wheel 410 is rotatable relative to body 422 and housing 200. Body 422 further defines a central aperture 446 configured to rotatably receive shaft 100, and a pair of pass-through connector slots 448. Thus, rotation wheel 410 is rotatable relative to body 422 and housing 200.

Inner and outer contact rings 424, 426 are disposed within the cavity defined between disc 436 and rotation wheel 410 and, more specifically, are fixed relative on and relative to the recessed surface of proximally-facing recess 418 of rotation wheel 410 with electrical connectors 425, 426, respectively, thereof extending into pass-through connector slots 419 to engage and electrically couple with lead connectors 755, 795 of lead wires 754, 794, respectively. Connectors 425, 426 and connectors 755, 795 may be male-female slide connectors configured to slide and lock into engagement and electrical coupling with one another, without the need for tools, soldering, etc. The connection between connectors 425, 426 and connectors 755, 795, respectively, electrically couples lead wires 754, 795 with inner and outer contact rings 424, 426, respectively.

First and second spring contacts 432, 434 are fixedly secured to body 422 and, thus, housing 200, at least via receipt of electrical connectors 433, 435 of spring contacts 432, 434, respectively, within pass-through connector slots 448. Electrical connectors 433, 435 are configured to slide and lock into engagement and electrical coupling with corresponding lead connectors 912, 922 of lead wires 910, 920, e.g., as male-female connectors detailed above. Lead wires 910, 920 are routed through housing 200 to activation assembly 800, which, in turn, is in electrical communication with wires associated with cable 900 to connect to the energy source, e.g., an electrosurgical generator (not shown), via plug 940 of cable 900 (see FIG. 1). The portions of lead wires 910, 920 extending within housing 200 are entirely stationary regardless of rotation of rotation wheel 410.

First and second spring contacts 432, 434 are biased into contact with inner and outer contact rings 424, 426, respectively. More specifically, first and second spring contacts 432, 434 maintain contact with inner and outer contact rings 424, 426, respectively, regardless of the rotational orientation of rotation wheel 410 relative to body 422, thus maintaining electrical connection and permitting continuous, e.g., infinite, rotation of rotation wheel 410 in either direction relative to body 422 and housing 200. The electrical connection between first and second spring contacts 432, 434 and inner and outer contact rings 424, 426, respectively, electrically connects lead wires 910, 920 with lead wires 754, 794, thus enabling the conduction of energy, e.g., electrosurgical energy, from the generator to electrically-conductive plates 750, 790 of jaw members 720, 760, respectively, for treating tissue grasped therebetween (see FIGS. 7-9).

Referring to FIGS. 1, 4, 26, 27, 31, and 34, activation assembly 800 is disposed within fixed handle portion 290 of housing 200 and includes an activation button 810 and a circuit board 820. Activation button 810 protrudes distally through activation button aperture 236 of housing 200 while circuit board 820 is retained within board support 238 of housing 200. Activation button 810 includes an internal electrical switch and is mounted on circuit board 820 such that the electrical switch thereof is in selective electrical communication with electrical trace 822 of circuit board 820. As detailed above, movable handle 310 is pivotable relative to housing 200 between the un-actuated position (FIG. 28), the actuated position (FIG. 31), and the activation position (FIG. 34). In the activation position, grasping portion 318 of movable handle 310 is urged into contact with the exposed portion of activation button 810 to activate activation button 810 of activation assembly 800, e.g., to establish or break electrical connection via the switch of activation button 810.

Electrical trace **822** extends along circuit board **820** from activation button **810** to connectors **832** disposed on circuit board **820**. Another electrical trace **824** is connected to connector **834** on circuit board **820**. Connectors **832**, **834** may be male or female slide connectors, similarly as detailed above, configured to electrical couple with lead wires **910**, **920** (FIG. 19), respectively. Circuit board **820** further includes plural contacts to which the wires of cable **900** are attached, e.g., soldered, to thereby electrically couple circuit board **820** with the energy source, e.g., an electro-surgical generator (not shown), via plug **940** of cable **900** (see FIG. 1), and to thereby selectively electrically couple lead wires **910**, **920** (FIG. 19) with the energy source.

The establishment or breaking of electrical connection via the switch of activation button **910**, e.g., as a result of the depression of activation button **810** by movable handle **310** to activation the switch of activation button **810**, can be detected at the generator via monitoring at least one of the wires connected, e.g., soldered, to circuit board **820**. Thus, the generator can readily determine when activation button **810** has been activated and, in response thereto, initiate the supply of energy through wires of cable **900** to circuit board **820** and, thus, to lead wires **910**, **920** (FIG. 19) to energize electrically-conductive plates **750**, **790** of jaw members **720**, **760**, respectively, for treating tissue grasped therebetween.

With reference to FIGS. 37-41, another energy-based surgical instrument provided in accordance with the present disclosure and configured for grasping, treating, and/or dividing tissue is shown generally identified by reference numeral **1010**. Instrument **1010** is similar to instrument **10** (FIG. 1) and may include any of the features thereof except as explicitly contradicted below. Accordingly, only differences between instrument **1010** and instrument **10** (FIG. 1) are detailed below.

Instrument **1010** includes a latching mechanism **1020** configured to lock movable handle **1310** in the actuated position, thereby latching the jaw members thereof (not shown, the same as jaw members **720**, **760** of instrument **10** (FIG. 1)) in the approximated position. Further, activation assembly **1800** of instrument **1010** is relocated to the rear of body portion **1280** of housing **1200** to enable selective activation by a finger of a user rather than by movable handle **1310**, although other positions and/or configurations of activation assembly **1800** are also contemplated.

Latching mechanism **1020** of instrument **1010** includes a latch arm **1030** coupled to movable handle **1310** and a latch track **1050** disposed within, e.g., defined within one (or both) of the housing parts **1210**, **1220** of housing **1200**, although the reverse configuration is also contemplated. Latch arm **1030** is monolithically formed as a single piece, e.g., via molding, and includes an engagement hook **1032** defined at a first end portion thereof and a transverse latch post **1034** protruding from one (or both) sides of latch arm **1030** at a second, opposite end portion thereof. Latch arm **1030** is flexible, enabling deflection of transverse latch post **1034** relative to engagement hook **1032** about at least two axes.

Engagement hook **1032** of latch arm **1030** defines a notch **1036** and a mouth **1038** providing access to notch **1036**. Notch **1036** is circumferentially surrounded by engagement hook **1032** about at least 270 degrees of a circumference of notch **1036**. Engagement hook **1032** is configured for snap-fit engagement about a latch boss **1319** of movable handle **1310** with latch boss **1319** passing through mouth **1038** and into engagement within notch **1036** wherein engagement hook **1032** provides at least 270 degrees of retention about latch boss **1319**. Thus, engagement hook **1032** can be readily

engaged and maintained in engagement about latch boss **1319**. Latch boss **1319** may be monolithically formed with movable handle **1310**.

Latch track **1050** of latching mechanism **1020** defines a tortuous path about a central block **1052**, an upper guide rail **1054**, a lower guide rail **1056**, and a rear guide leg **1058**. Latch track **1050**, more specifically, includes an entry path **1062** defined between central block **1052** and lower guide rail **1056**, a latching path **1064** defined around central block **1052** between lower guide rail **1056** and rear guide leg **1058** and interconnecting entry path **1062** with a saddle **1066** defined within central block **1052**, an unlatching path **1068** defined around central block **1052** between rear guide leg **1058** and upper guide rail **1054** and interconnecting saddle **1066** with a return path **1070**, and return path **1070** defined between central block **1052** and upper guide rail **1054**. Return path **1070** includes a transverse ramp **1080** that, as detailed below, includes a proximal ramped end **1082** and a distal cliff end **1084**.

Referring still to FIGS. 37-41, in use, upon pivoting of movable handle **1310** from the un-actuated position towards the actuated position, transverse latch post **1034** is moved proximally towards latch track **1050**. Upon further pivoting of movable handle **1310** towards the actuated position, transverse latch post **1034** enters entry path **1062** and travels distally therethrough between central block **1052** and lower guide rail **1056**. Latch arm **1030** is deflected, e.g., about a first axis, downwardly to enable transverse latch post **1034** to travel through entry path **1062**. Further, excursion of transverse latch post **1034** into return path **1070** is inhibited by distal cliff end **1084**; that is, transverse latch post **1034** is inhibited from climbing distal cliff end **1084** and, thus, is inhibited from entering return path **1070**, thereby ensuring that transverse latch post **1034** correctly follows entry path **1062**.

Movable handle **1310** is further pivoted proximally to and beyond the actuated position to an over-actuated position to enable transverse latch post **1034** to clear central block **1052**. Once transverse latch post **1034** clears central block **1052** and, thus, latch arm **1030** is no longer held in a deflected position thereby, latch arm **1030** is resiliently returned upwardly such that transverse latch post **1034** is urged towards or into contact with rear guide leg **1058**. This may be confirmed by audible and/or tactile feedback.

Once movable handle **1310** reaches the over-actuated position, movable handle **1310** may be released (or returned), allowing movable handle **1310** to return distally back towards the actuated position under the bias of the return spring (not shown, the same as return spring **350** (FIGS. 2 and 3)). Upon release (or return) of movable handle **1310**, transverse latch post **1034** is moved distally through latching path **1064** and into saddle **1066** defined within central block **1052**, thereby latching movable handle **1310** in the actuated position. With movable handle **1310** latched in the actuated position, the jaw members of instrument **1010** are correspondingly locked in the approximated position applying an appropriate jaw force to tissue grasped therebetween such that the jaw members may be energized to treat, e.g., seal, tissue grasped therebetween.

In order to release movable handle **1310** from the latched condition and enable return of the jaw members to the spaced-apart position, e.g., after tissue treatment and/or cutting, or to re-grasp tissue, movable handle **1310** is again pivoted proximally from the actuated position to the over-actuated position. When movable handle **1310** is pivoted to the over-actuated position, transverse latch post **1034** is moved proximally from saddle **1066** through the unlatching

path **1068** to clear central block **1052**, thus allowing latch arm **1030** to further resiliently return upwardly such that transverse latch post **1034** is urged towards or into contact with upper guide rail **1054**.

Once movable handle **1310** reaches the over-actuated position, movable handle **1310** may be released (or returned), allowing movable handle **1310** to return distally. This distal return of movable handle **1310** pulls transverse latch post **1034** distally through return path **1070**, between upper guide rail **1054** and central block **1052**. As transverse latch post **1034** is moved distally through return path **1070**, transverse latch post **1034** ramps over proximal ramped end **1082** of transverse ramp **1080** and along transverse ramp **1080**, thereby increasingly deflecting latch arm **1030** transversely (e.g., about a second axis) until transverse latch post **1034** falls off distal cliff end **1084** of transverse ramp **1080**, allowing latch arm **1030** to resiliently return transversely. After transverse latch post **1034** falls off distal cliff end **1084** of transverse ramp **1080**, proximal return of transverse latch post **1034** through return path **1070** is inhibited and, thus, re-actuation of movable handle **1310** thereafter moves transverse latch post **1034** along entry path **1062**. In the absence of re-actuation of movable handle **1310**, movable handle **1310** continues to return distally towards the un-actuated position, allowing transverse latch post **1034** to clear latch track **1050** and allowing latch arm **1030** to return to its initial position corresponding to the un-actuated position of movable handle **1310**.

While several configurations of the disclosure have been shown in the drawings, it is not intended that the disclosure be limited thereto, as it is intended that the disclosure be as broad in scope as the art will allow and that the specification be read likewise. Therefore, the above description should not be construed as limiting, but merely as exemplifications of particular configurations. Those skilled in the art will envision other modifications within the scope and spirit of the claims appended hereto.

What is claimed is:

1. A surgical instrument, comprising:

a housing;

an end effector assembly distally-spaced from the housing;

a movable handle operably coupled to the housing and movable relative thereto between an un-actuated position, an actuated position, and an over-actuated position;

a drive assembly operably coupled between the movable handle and the end effector assembly and configured such that movement of the movable handle from the un-actuated position to the actuated position manipulates the end effector assembly; and

a latch assembly operably associated with the housing and the movable handle and configured to lock the movable handle in the actuated position, the latch assembly including:

a latch arm including a latch post extending therefrom; and

a latch track defining a shared path, an entry path, a latching path, a saddle, an un-latching path, and a return path,

wherein the latch post is configured to move through the shared path, the entry path, the latching path, and into the saddle upon movement of the movable handle from un-actuated position through the actuated position to the over-actuated position and back to the actuated position to thereby lock the movable handle in the actuated position, the latch post con-

figured to move within a plane through the shared path, the entry path, the latching path, and into the saddle,

wherein the latch post is configured to move from the saddle through the un-latching path, the return path, and the shared path upon subsequent movement of the movable handle from actuated position to the over-actuated position and back to the un-actuated position, and

wherein the return path includes a ramped surface extending to a cliff that connects the return path with the shared path, the latch post configured to move out of the plane during movement of the latch post along the ramped surface and over the cliff from the return path to the shared path, the cliff configured to inhibit reverse travel of the latch post from the shared path to the return path.

2. The surgical instrument according to claim 1, wherein the ramped surface includes a ramped end and a cliff end, wherein the cliff is disposed at the cliff end of the ramped surface, and wherein the latch post is permitted to enter the ramped surface via the ramped end but is inhibited by the cliff from entering the ramped surface via the cliff end.

3. The surgical instrument according to claim 1, wherein the latch track extends between a central block, an upper guide rail, a lower guide rail, and a guide leg.

4. The surgical instrument according to claim 3, wherein the central block defines the saddle.

5. The surgical instrument according to claim 3, wherein the entry path is defined between the lower guide rail and the central block and the return path is defined between the upper guide rail and the central block.

6. The surgical instrument according to claim 3, wherein the latching path is defined between the central block, the lower guide rail, and the guide leg, and wherein the unlatching path is defined between the central block, the upper guide rail, and the guide leg.

7. The surgical instrument according to claim 1, wherein the latch arm is configured to deflect within the plane upon movement of the latch post through the entry path.

8. The surgical instrument according to claim 7, wherein the latch arm is configured to deflect out of the plane upon movement of the latch post along the ramped surface.

9. The surgical instrument according to claim 1, wherein the latch arm is engaged with the movable handle and wherein the latch track is disposed within the housing.

10. The surgical instrument according to claim 9, wherein the latch arm is engaged with the movable handle at a first end thereof and includes the latch post at a second end thereof.

11. The surgical instrument according to claim 10, wherein the latch arm includes a latch hook defined at the first end thereof, the latch hook configured to engage a boss extending from the movable handle.

12. The surgical instrument according to claim 1, wherein the end effector assembly includes first and second jaw members, at least one of the first or second jaw members movable relative to the other from a spaced-apart position to an approximated position to grasp tissue therebetween in response to movement of the movable handle from the un-actuated position to the actuated position.

13. The surgical instrument according to claim 12, wherein the drive assembly is configured to control a jaw force applied by the first and second jaw members to tissue grasped therebetween.

14. The surgical instrument according to claim 13, wherein the drive assembly is configured such that no

27

additional jaw force is imparted to tissue grasped between the first and second jaw members in response to movement of the movable handle from the actuated position to the over-actuated position.

15. A method of actuating a surgical instrument, comprising:

actuating a movable handle relative to a housing from an un-actuated position to an actuated position, and from the actuated position to an over-actuated position, wherein actuating the movable handle from the un-actuated position to the actuated position manipulates an end effector assembly, and wherein actuating the movable handle from the un-actuated position to the over-actuated position moves a latch post of a latch arm within a plane through a shared path and an entry path of a latch track;

releasing the movable handle in the over-actuated position thereof to allow the movable handle to return towards the actuated position, wherein return of the movable handle moves the latch post within the plane along a latching path to a saddle to thereby lock the movable handle in the actuated position;

actuating the movable handle from the actuated position to the over-actuated position to move the latch post within the plane from the saddle along an unlatching path, thereby unlocking the movable handle; and

releasing the movable handle in the over-actuated position thereof to allow the movable handle to return to the actuated position, wherein return of the movable handle

28

to the actuated position moves the latch post out of the plane along a return path up a ramped end of a ramped surface, along the ramped surface, and off a cliff at a cliff end of the ramped surface to the shared path, wherein the cliff inhibits the latch post from entering the ramped surface from the shared path.

16. The method according to claim 15, wherein the latch post extends from a latch arm connected to the movable handle, and wherein the latch arm is deflected within the plane upon at least a portion of the actuation of the movable handle from the un-actuated position to the actuated position.

17. The method according to claim 16, wherein the latch arm is deflected out of the plane upon movement of the latch arm along the ramped surface.

18. The method according to claim 15, wherein completion of the actuation of the movable handle from the un-actuated position to the over-actuated position is confirmed by at least one of tactile or audible feedback.

19. The method according to claim 15, wherein manipulating the end effector assembly includes moving at least one of a first or second jaw member relative to the other from a spaced-apart position to an approximated position to grasp tissue therebetween.

20. The method according to claim 19, wherein the first and second jaw members are maintained in position during at least one of the actuations of the movable handle from the actuated position to the over-actuated position.

* * * * *