



US 20210177074A1

(19) **United States**

(12) **Patent Application Publication**
Van Duyne

(10) **Pub. No.: US 2021/0177074 A1**

(43) **Pub. Date: Jun. 17, 2021**

(54) **WORKOUT GLOVE ALTERNATIVE WITH SNAPS AND PLAM PROTECTION**

Publication Classification

(71) Applicant: **William F. Van Duyne**, San Diego, CA (US)

(51) **Int. Cl.**
A41D 13/08 (2006.01)

(72) Inventor: **William F. Van Duyne**, San Diego, CA (US)

(52) **U.S. Cl.**
CPC *A41D 13/082* (2013.01)

(21) Appl. No.: **16/950,008**

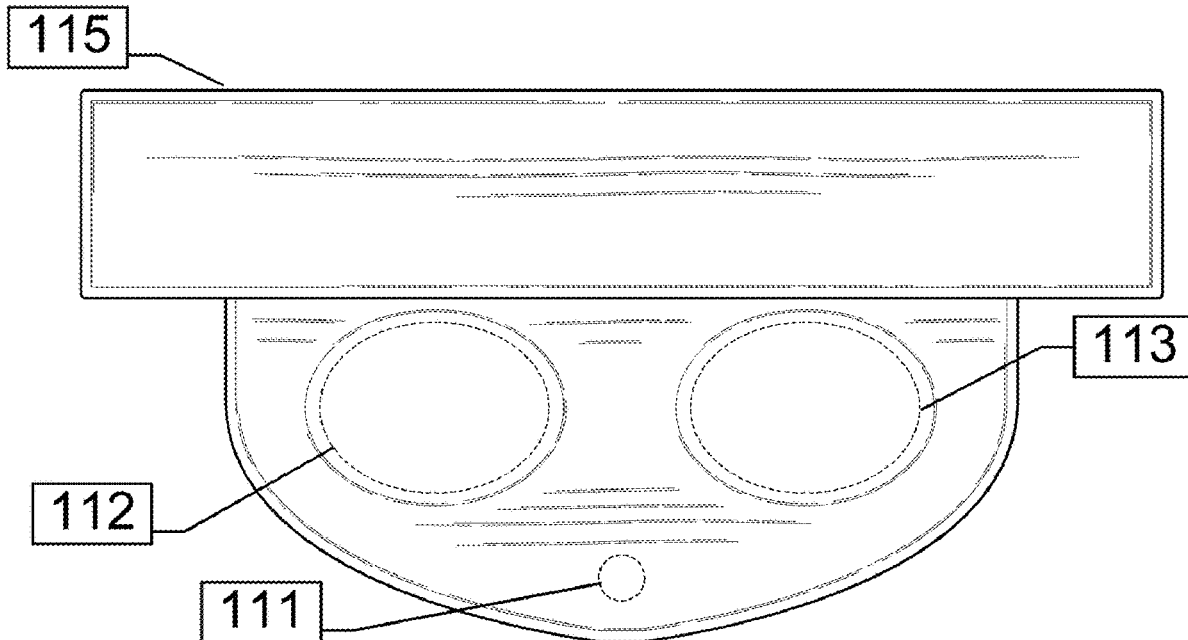
(57) **ABSTRACT**

(22) Filed: **Nov. 17, 2020**

WOSPP (WorkOut with Snaps and Palm Protection) is an alternative workout glove design that is compact in size, fits around one or more fingers, is machine washable/dryable, and can be attached to an article of clothing such as workout shorts, or other items such as a workout towel. The WOSPP attaches to the various articles or other items through a variety of methods, such as snaps. When the article of clothing or other item is washed, the WOSPP is also cleaned. A portion of the WOSPP design provides palm protection against calluses in addition to grip support.

Related U.S. Application Data

(60) Provisional application No. 62/948,398, filed on Dec. 16, 2019.



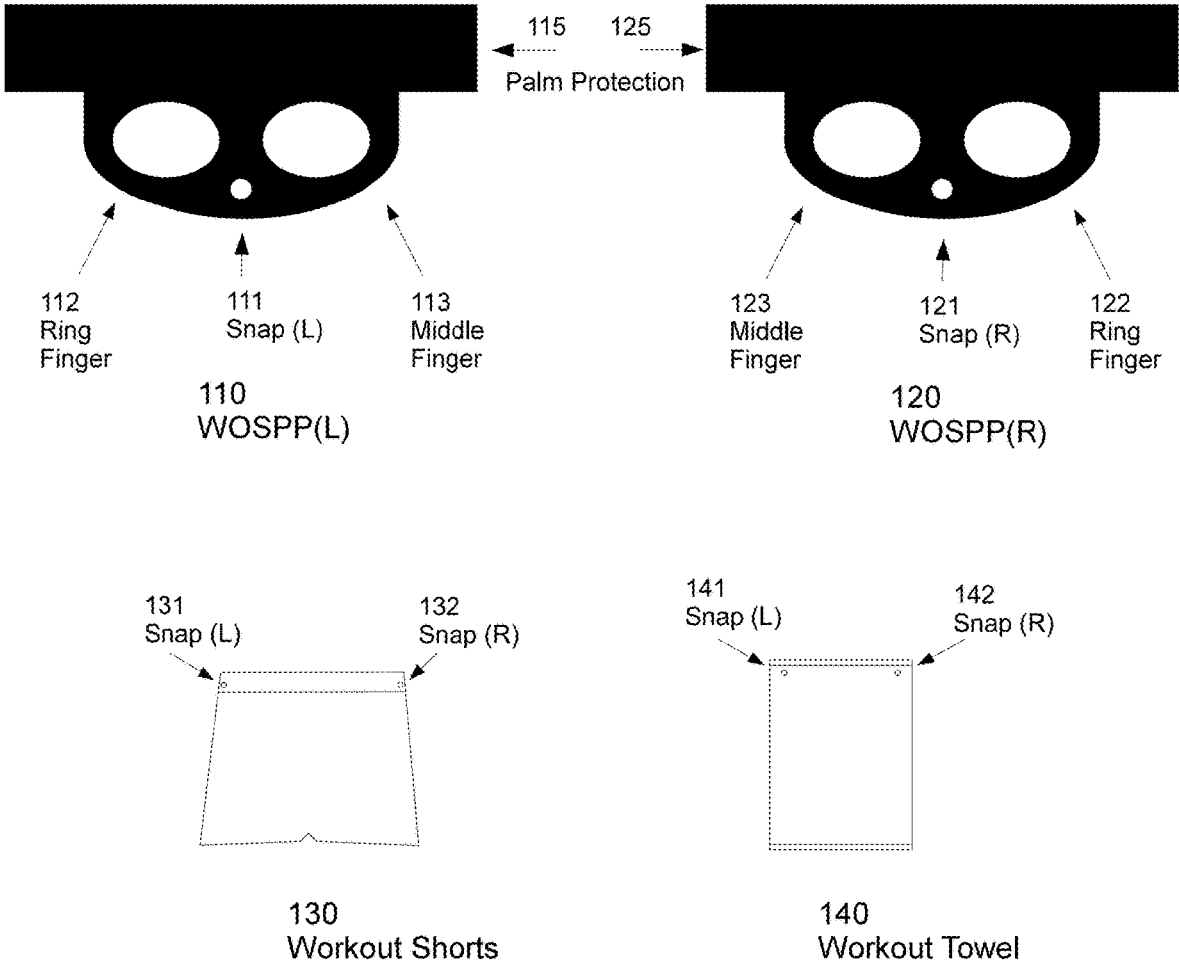


FIG. 1

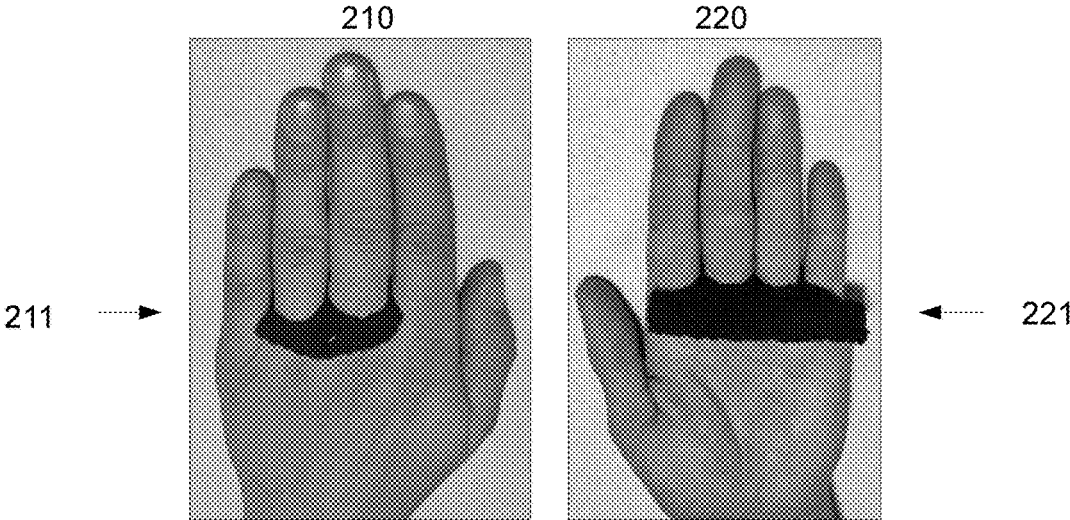


FIG. 2

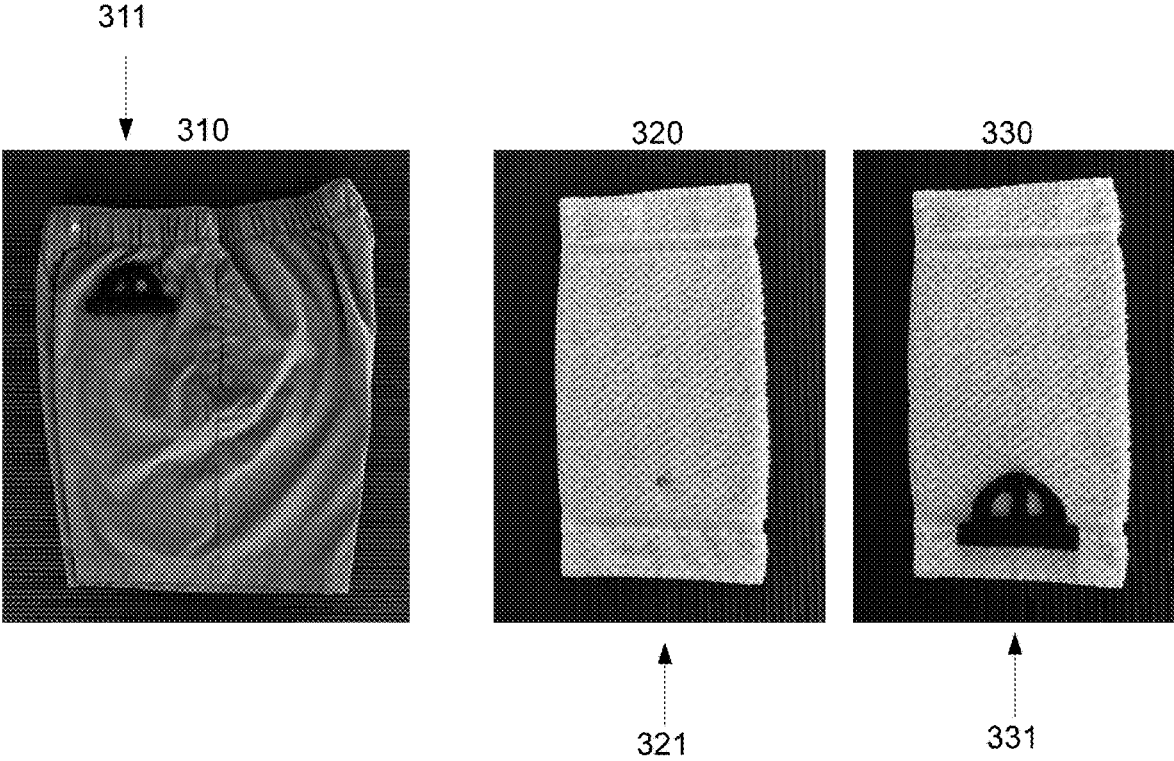


FIG. 3

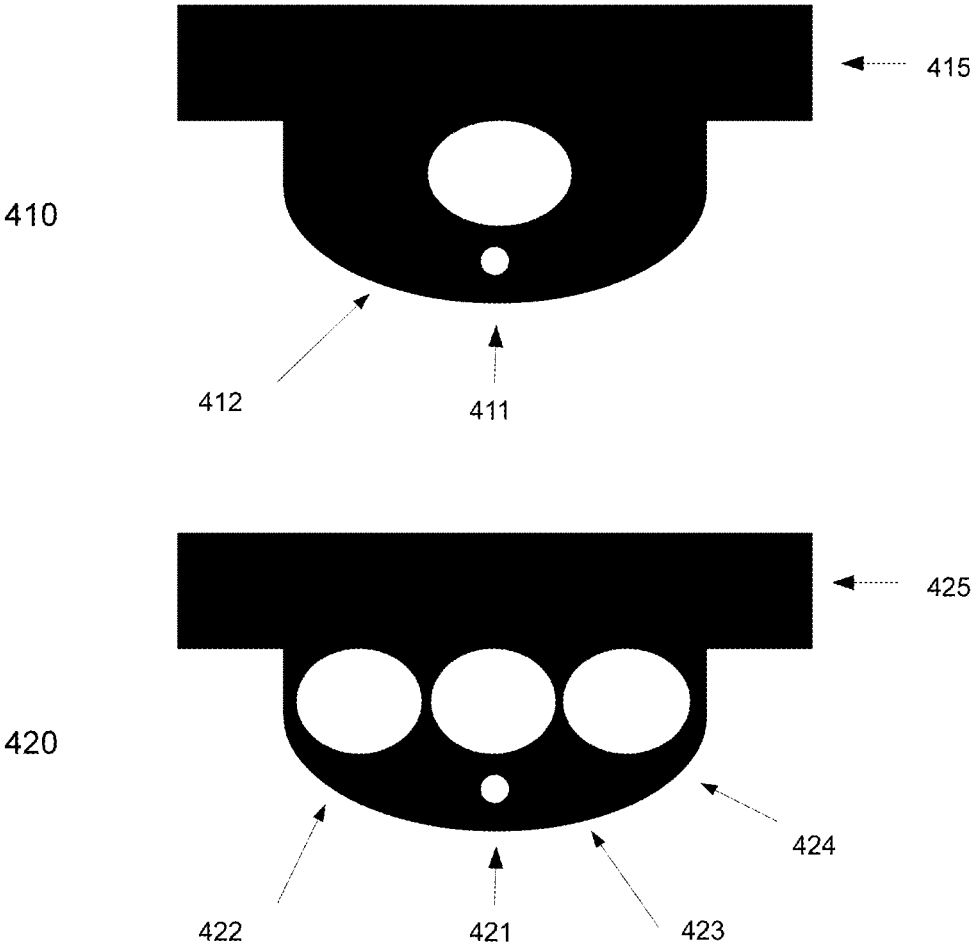


FIG. 4

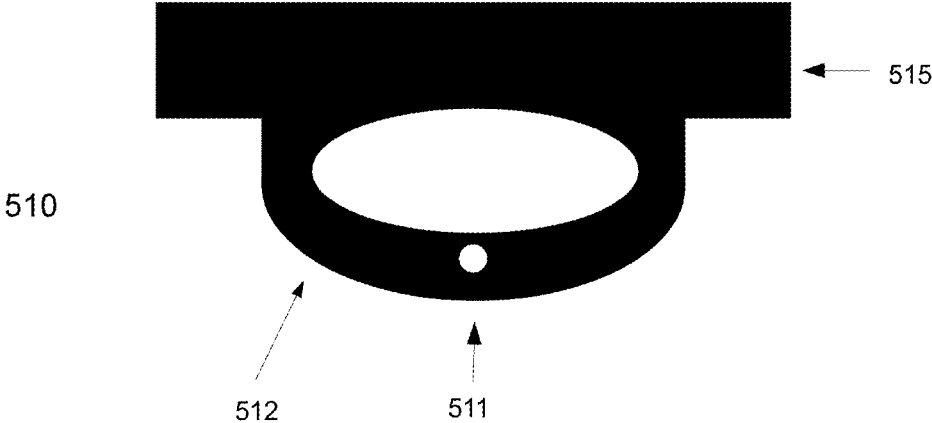


FIG. 5

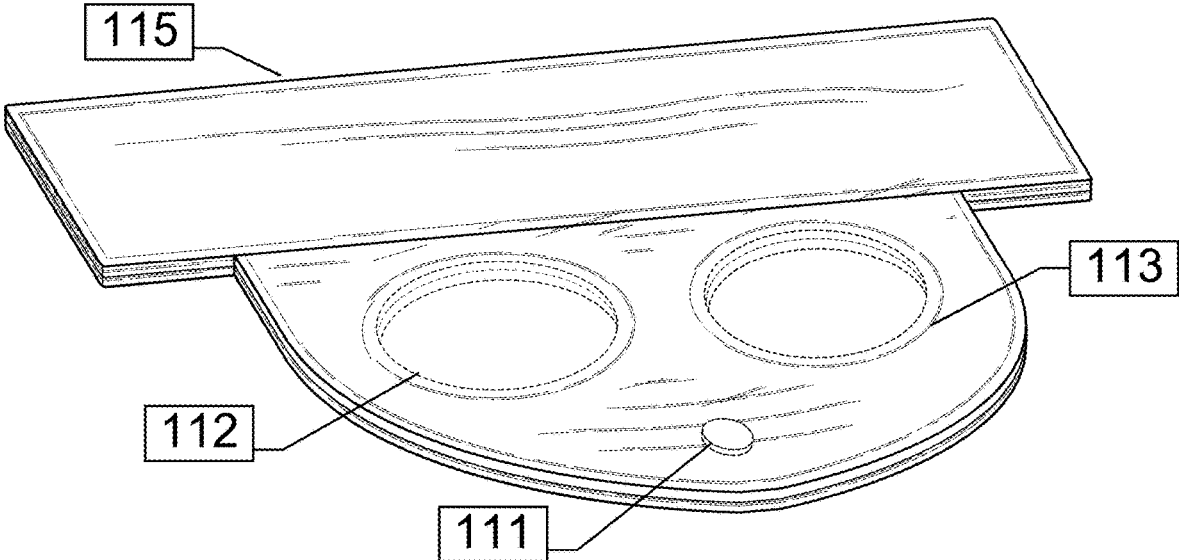


FIG. 6

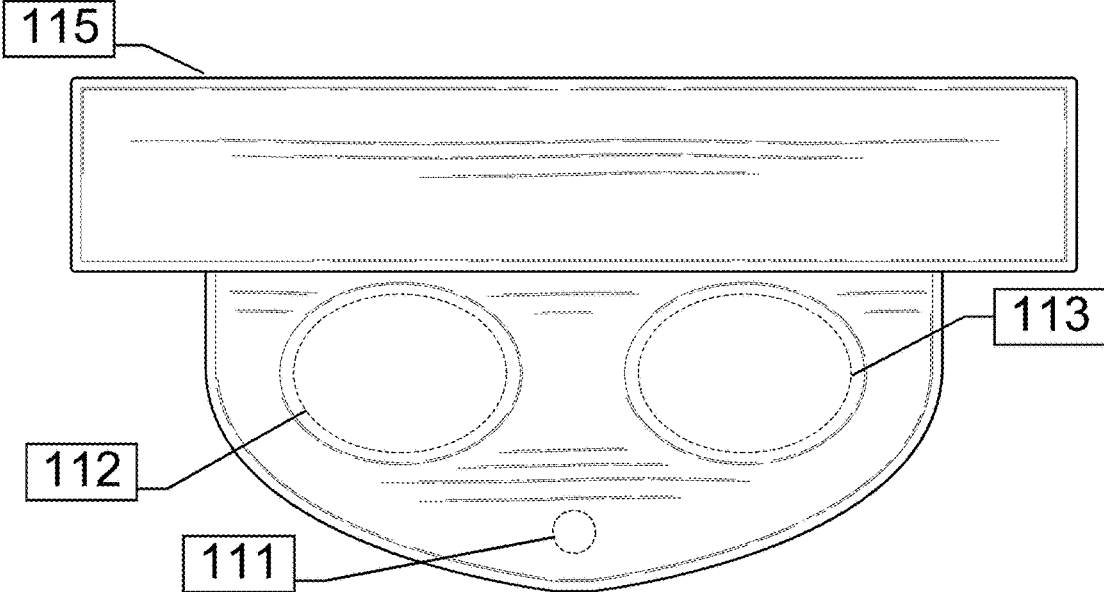


FIG. 7

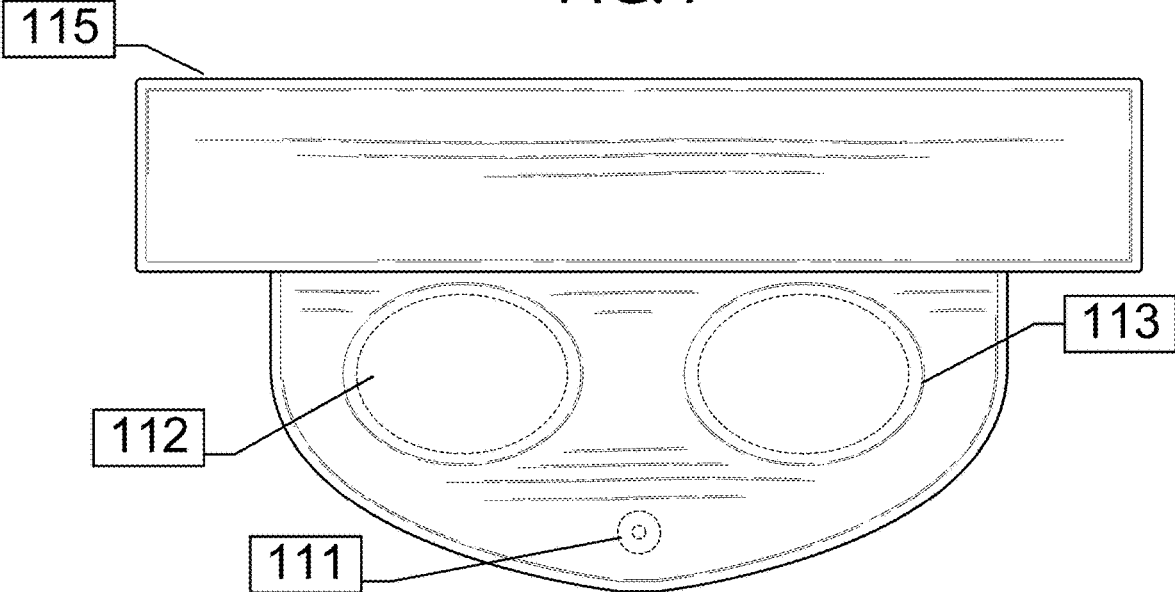


FIG. 8

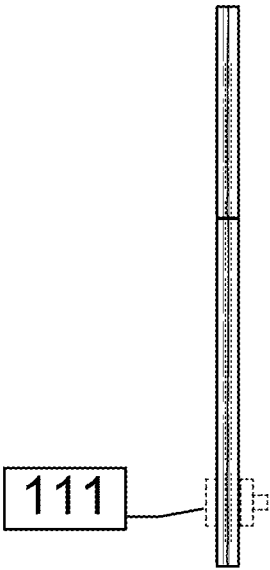


FIG. 9

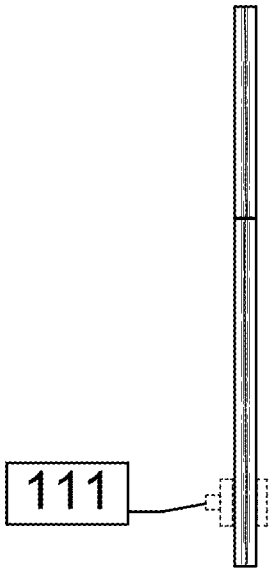


FIG. 10

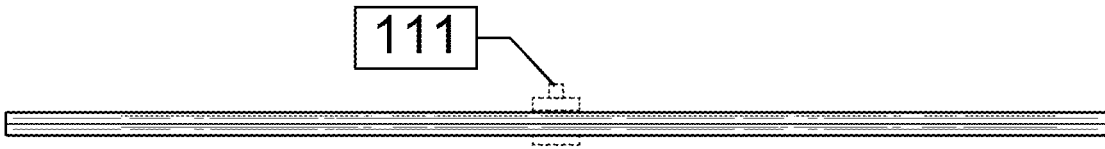


FIG. 11

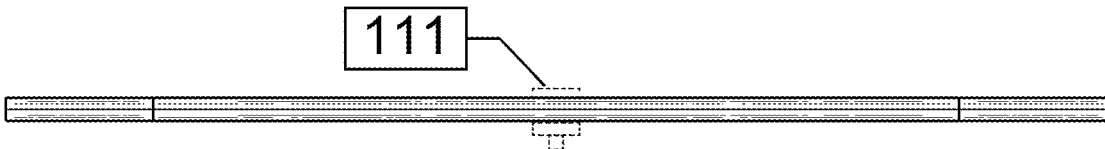


FIG. 12

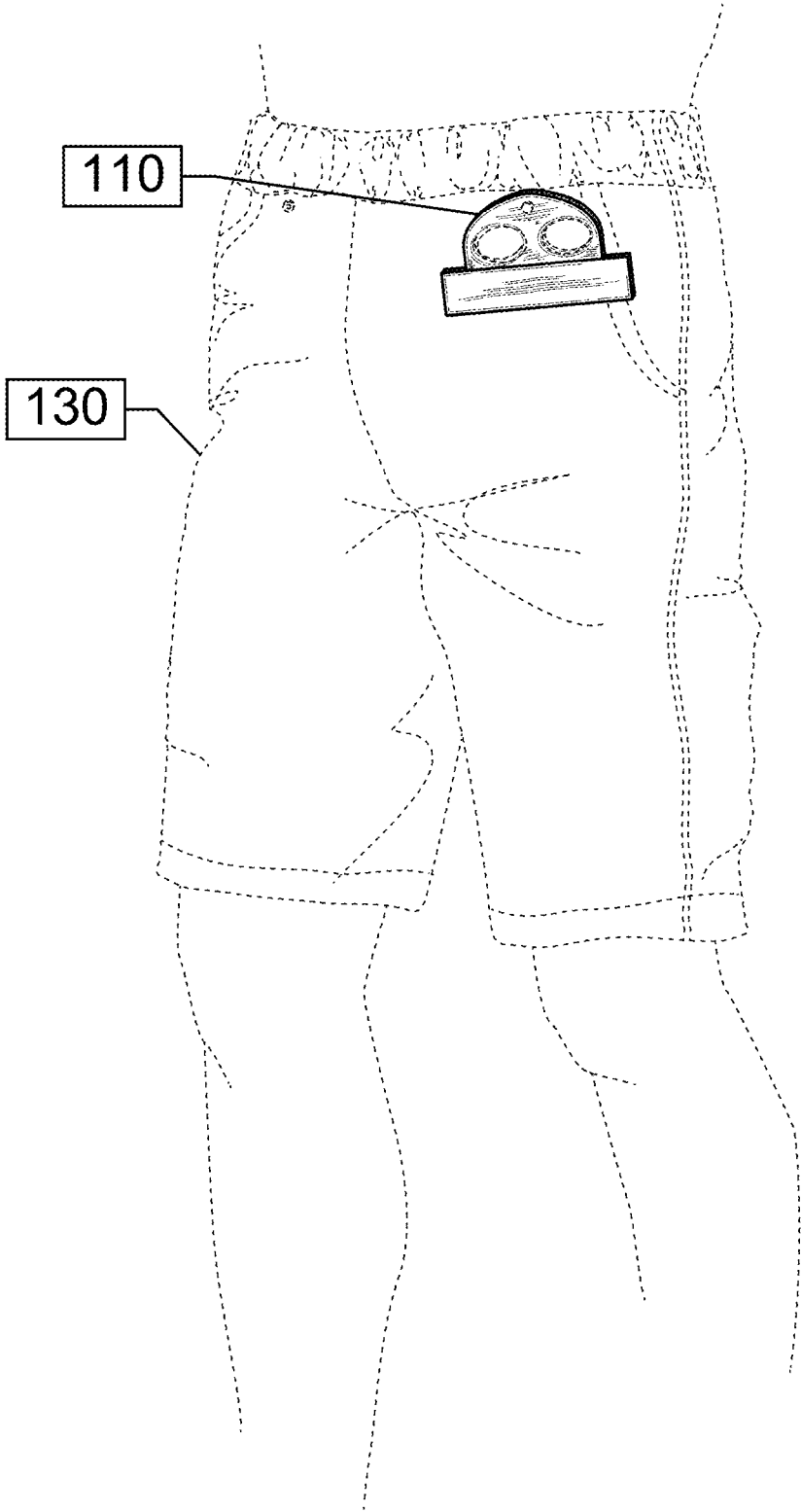


FIG. 13

WORKOUT GLOVE ALTERNATIVE WITH SNAPS AND PLAM PROTECTION

CROSS-REFERENCE TO RELATED APPLICATIONS

[0001] This application claims the benefit and priority of U.S. Prov. Pat. App. Ser. No. 62/948,398 (filed Dec 16, 2019).

STATEMENT REGARDING FEDERALLY SPONSORED RESEARCH OR DEVELOPMENT

[0002] Not applicable.

THE NAMES OF THE PARTIES TO A JOINT RESEARCH AGREEMENT

[0003] Not applicable.

REFERENCE TO AN APPENDIX SUBMITTED ON A COMPACT DISC AND INCORPORATED BY REFERENCE OF THE MATERIAL ON THE COMPACT DISC

[0004] Not applicable.

STATEMENT REGARDING PRIOR DISCLOSURES BY THE INVENTOR OR A JOINT INVENTOR

[0005] Reserved for a later date, if necessary.

BACKGROUND OF THE INVENTION

Field of Invention

[0006] The disclosed subject matter is in the field of clothing and exercise accessories.

Background of the Invention

[0007] Currently available workout gloves are used to protect the portion of the palm adjacent to fingers from getting calluses and to provide grip support. Existing workout gloves get dirty quickly and may be difficult or inconvenient to clean and keep clean. After a workout, gloves are typically placed in a gym bag, thereby contaminating the contents of the gym bag with the germ exposure from the workout session. Thus, a need exists for a workout glove that prevents calluses, provides grip support, all while being resistant to contamination.

SUMMARY OF THE INVENTION

[0008] Work out with snaps and palm protection or WOSPP is an alternative workout glove design that is compact in size, fitted around one or more fingers, machine washable and dryable, and can be attached to an article of clothing, such as workout shorts, or a workout towel. The WOSPP attaches to the various articles or other items through a variety of methods, such as snaps. When that article of clothing or another item is washed, the WOSPP may also be cleaned. A portion of the WOSPP design provides palm protection against calluses in addition to grip support.

BRIEF DESCRIPTION OF THE SEVERAL VIEWS OF THE DRAWINGS

[0009] Other objectives of the disclosure will become apparent to those skilled in the art once the invention has been shown and described. The manner in which these objectives and other desirable characteristics can be obtained is explained in the following description and attached figures in which:

[0010] FIG. 1 is the primary embodiment WOSPP design for the left and right hands using one finger per hole with a total of two finger holes per WOSPP in addition to a snap attachment mechanism. Also, workout shorts and a workout towel are shown with a snap attachment mechanism where the two WOSPPs may be attached;

[0011] FIG. 2 is a picture of a WOSPP prototype on a hand showing the top and palm views;

[0012] FIG. 3 is a picture of a WOSPP prototype attached to a pair of workout shorts and a workout towel. Also, there is a picture of a workout towel with a snap attachment mechanism with no WOSPP attached;

[0013] FIG. 4 shows additional WOSPP embodiments using one finger per hole with one or three total finger holes per WOSPP;

[0014] FIG. 5 is an additional WOSPP embodiment using more than one finger per hole with one finger hole total per WOSPP;

[0015] FIG. 6 is a perspective view of the WOSPP;

[0016] FIG. 7 is a top view of the WOSPP;

[0017] FIG. 8 is a bottom view of the WOSPP;

[0018] FIG. 9 is a right side view of the WOSPP;

[0019] FIG. 10 is a left side view of the WOSPP;

[0020] FIG. 11 is a front view of the WOSPP;

[0021] FIG. 12 is a back view of the WOSPP; and,

[0022] FIG. 13 is an environmental view of the WOSPP attached to a pair of workout shorts.

[0023] It is to be noted, however, that the appended figures illustrate only typical embodiments of this invention and are therefore not to be considered limiting of its scope, for the invention may admit to other equally effective embodiments that will be appreciated by those reasonably skilled in the relevant arts. Also, figures are not necessarily made to scale but are representative.

DETAILED DESCRIPTION OF PREFERRED EMBODIMENTS

[0024] FIG. 1 shows the primary embodiment of the WOSPP design. WOSPPs are alternative gloves intended for a gym workout. Two WOSPPs are shown, one for the left hand **110** and one for the right hand **120**. In other embodiments, WOSPPs are designed to be identical and interchangeable between the left and right hands. Each WOSPP contains holes for fingers **112 113 122 123**, a snap **111 121** to attach to an article of clothing or some other item, and a palm protection area **115 125** to prevent calluses and provide grip support.

[0025] Before a workout session begins, the left (L) **110** and right (R) **120** WOSPPs are placed through the respective middle **113 123** and ring fingers **112 122** and the area labeled "Palm Protection" **115 125** is positioned to cover the portion of the palms adjacent to the fingers. FIG. 2 shows top view **210** and palm view **220** photographs of a left hand WOSPP prototype. **211** highlights the WOSPP snap and material around the middle and ring fingers. **221** highlights the

material that provides the palm protection and grip support. The WOSPPs **110 120** are worn for the duration of a workout.

[0026] Each WOSPP **110 120** has a snap **111 121** so that it may be attached to workout shorts **130** or a workout towel **140**. Once a workout session is completed, the WOSPPs are removed from the hands and the left **111** and right **121** WOSPP's snaps are attached to the corresponding left **131** and right **132** snaps on a pair of shorts **130** or the left **141** and right **142** snaps of a workout towel **140**. In some embodiments, the WOSPPs **110 120** may be designed to lay flat when attached to workout shorts **130** or a workout towel **140**. FIG. 3 shows photographs of a WOSPP prototype **311** attached to a pair of workout shorts **310**, a snap attachment **321** that accommodates a WOSPP prototype on a workout towel **320**, and a WOSPP prototype **331** attached to a workout towel **330**. Because the WOSPPs are made of a machine washable/dryable material, the WOSPPs get cleaned every time the workout shorts or workout towels are laundered. This provides both convenience and good hygiene compared to existing glove systems. In other embodiments, the WOSPPs may attach to any article of clothing, including but not limited to shorts, pants, shirts, shoes, socks, belts, and hats, or any other item, including but not limited to towels, travel bags, workout bags and backpacks, that has the corresponding snap attachment mate. In other embodiments, the snaps are placed in any location on the article of clothing or other item. In other embodiments, the left and right WOSPPs are stacked when attached to an article of clothing or other item. In other embodiments, more than one snap is placed on the WOSPP to better secure the WOSPP to an article of clothing or other item. In other embodiments, the WOSPP uses an attachment mechanism different from a snap, including but not limited to clips, clasps, buttons or hook and loop fasteners. Because articles of clothing or other items do not have the attachment mechanisms to connect to the WOSPPs, existing articles of clothing or other items may be retrofitted to add the attachment mechanisms, or new articles of clothing or other items may be designed and manufactured to include the attachment mechanisms.

[0027] The rectangular portion of the WOSPP **115 125** as shown in FIG. 1 accomplishes the palm protection. The rectangular portions act as a barrier and cushion to protect the palm from forming calluses. The implementation shown in FIG. 1 provides basic grip support. In other embodiments, the WOSPP Palm Protection size may be enlarged and/or have a non-rectangular shape to provide additional grip support. In other embodiments, the Palm Protection area is enhanced with additional padding.

[0028] The primary embodiment WOSPP **110 120** uses one finger per hole with a total of two holes. Other embodiments may have a different total number of holes. FIG. 4 shows WOSPP designs **410 420** with a total of one hole **412** (ring, middle or index finger) and a total of three holes **422 423 424** (ring, middle and index fingers). Other embodiments may have more than one finger per hole. FIG. 5 shows a WOSPP design **510** with one hole **512** that can accommodate two fingers (for example, ring and middle fingers) or three fingers (for example, ring, middle and index fingers). The snaps **411 421 511** and palm protection area **415 425 515** perform the same respective functions as the primary embodiment.

[0029] FIG. 6 is a perspective view of the WOSPP **110**. As shown the WOSPP **110** is an ambidextrous glove which may feature a plurality of finger holes. In the embodiment shown by FIG. 6, a ring finger hole **112** and middle finger hole **113** are featured. The WOSPP **110** uses a snap **111** or other means of attachment to attach to a workout towel or a pair of workout shorts.

[0030] FIG. 7 and FIG. 8 are top and bottom views of the WOSPP **110**. As shown the WOSPP **110** features palm protection **115** under the two finger holes. The palm protection **115** is designed to be minimalistic like the WOSPP **110** itself such that glove material is only placed necessarily. Further, the lack of glove fingers keeps the glove from expelling odors after use.

[0031] FIG. 9 and FIG. 10 are left and right side views of the WOSPP **110**. The WOSPP **110** is designed to be thin, noninvasive, light, and unencumbered. Further, the WOSPP **110** is machine wash and dryable.

[0032] FIG. 11 and FIG. 12 are front and back views of the WOSPP **110**. The WOSPP **110** may be attached to an article of clothing, such as workout shorts **130** or a workout towel **140**. The WOSPP **110** attaches to the various articles or other items through a variety of means of attachment, such as snaps, hook and loops fasteners, and the like. When that article of clothing or another item is washed, the WOSPP **110** may also be cleaned. A portion of the WOSPP **110** design provides palm protection **115** against calluses in addition to grip support.

[0033] FIG. 13 is an environmental view of the WOSPP **110** attached to a pair of workout shorts **130**. As shown the WOSPP **110** is attached to the workout shorts **130** by means of attachment. The workout shorts **130** and the WOSPP **110** may be washed simultaneously while attached. Further, there may be situations in which the user may need to attach the WOSPP **110** to their workout shorts **130** while working out.

[0034] In other embodiments, the WOSPP is used in settings other than a gym, including but not limited to other sports (such as golfing, bowling, hiking, or mountain biking), a household environment, a commercial environment, a medical environment, or an industrial environment. Any environment where protecting the palm from calluses and/or providing grip support applies, coupled with a convenient way to store and clean the WOSPP. For example, the WOSPP could assist with opening jars. Once the WOSPP is no longer needed, it could be attached to an apron that has the necessary snap attachment mechanism, or any article of clothing or any other items. In other embodiments, only one WOSPP may be worn on either the right or left hand. In all conceivable embodiments, the WOSPP may function as an accessory comprising: a piece of material featuring one or more finger-holes and a palm protection or grip-support region; and, at least one attachment mechanism.

[0035] Current glove systems, including workout gloves, do not include a mechanism to attach to an article of clothing or other item. In other embodiments, any currently available gloves are retrofitted to include an attachment mechanism, including but not limited to a snap, for convenience and/or hygienic purposes. In other embodiments, gloves for any application are designed and manufactured to include an attachment mechanism, including but not limited to a snap, for convenience and/or hygienic purposes. In other embodiments, in order to support current or new glove designs, existing articles of clothing or other items are retrofitted to

add the attachment mechanisms, or new articles of clothing or other items are designed and manufactured to include the attachment mechanisms.

[0036] Although the method and apparatus is described above in terms of various exemplary embodiments and implementations, it should be understood that the various features, aspects and functionality described in one or more of the individual embodiments are not limited in their applicability to the particular embodiment with which they are described, but instead might be applied, alone or in various combinations, to one or more of the other embodiments of the disclosed method and apparatus, whether or not such embodiments are described and whether or not such features are presented as being a part of a described embodiment. Thus, the breadth and scope of the claimed invention should not be limited by any of the above-described embodiments.

[0037] Terms and phrases used in this document, and variations thereof, unless otherwise expressly stated, should be construed as open-ended as opposed to limiting. As examples of the foregoing: the term “including” should be read as meaning “including, without limitation” or the like, the term “example” is used to provide exemplary instances of the item in discussion, not an exhaustive or limiting list thereof, the terms “a” or “an” should be read as meaning “at least one,” “one or more,” or the like, and adjectives such as “conventional,” “traditional,” “normal,” “standard,” “known” and terms of similar meaning should not be construed as limiting the item described to a given time period or to an item available as of a given time, but instead should be read to encompass conventional, traditional, normal, or standard technologies that might be available or known now or at any time in the future. Likewise, where this document refers to technologies that would be apparent or known to one of ordinary skill in the art, such technologies encompass those apparent or known to the skilled artisan now or at any time in the future.

[0038] The presence of broadening words and phrases such as “one or more,” “at least,” “but not limited to” or other like phrases in some instances shall not be read to mean that the narrower case is intended or required in instances where such broadening phrases might be absent. The use of the term “assembly” does not imply that the components or functionality described or claimed as part of the module are all configured in a common package. Indeed, any or all of the various components of a module, whether control logic or other components, might be combined in a single package or separately maintained and might further be distributed across multiple locations.

[0039] Additionally, the various embodiments set forth herein are described in terms of exemplary block diagrams, flow charts and other illustrations. As will become apparent to one of ordinary skill in the art after reading this document, the illustrated embodiments and their various alternatives might be implemented without confinement to the illustrated examples. For example, block diagrams and their accompanying description should not be construed as mandating a particular architecture or configuration.

[0040] All original claims submitted with this specification are incorporated by reference in their entirety as if fully set forth herein.

PAPER “SEQUENCE LISTING”

[0041] Not applicable.

I claim:

1. An accessory comprising:
a piece of material featuring one or more finger-holes and a palm-protection or grip-support region; and,
at least one attachment mechanism.
2. The accessory of claim 1 wherein the accessory is fitted to a left hand of a user or to a right hand of a user.
3. The accessory of claim 1 wherein the attachment mechanism is a snap.
4. The accessory of claim 3 wherein the snap corresponds to a snap receiver on a workout towel.
5. The accessory of claim 4 wherein the snap corresponds to a snap receiver on a pair of workout shorts.
6. The accessory of claim 5 wherein the piece of material comes in different sizes and features padding.
7. A kit comprised of:
at least one accessory defined by a piece of material featuring one or more finger-holes and an attachment mechanism;
an article of clothing to which the attachment mechanism is attached during a first-time frame; and,
a towel to which the attachment mechanism is attached during a second time frame.
8. The kit of claim 7 wherein the accessory, article of clothing, and towel are worn by a user.
9. The outfit of claim 8 wherein the attachment mechanism is selected from the group of attachment mechanisms comprising: snaps, hook and loop fasteners, clasps, buttons, and clips.
10. The outfit of claim 9 wherein the accessory features finger holes.
11. The outfit of claim 10 wherein the accessory features a small piece of material in a position correspondent to a palmar digital area of a human hand.
12. The outfit of claim 11 wherein the accessory is made of a machine washable and dryable material.
13. The outfit of claim 12 wherein the accessory features no more than four finger holes.
14. A method of holding an item comprising the steps of:
obtaining a at least one accessory, an article of clothing, and a towel;
detaching the accessory from the article of clothing; and,
inserting one or more fingers into a finger hole of the accessory; and,
gripping the item so that the accessory is located between the item and the palmar digital area of the hand.
15. The method of claim 14 further comprising mitigating callous formation on the palmar digital area of the hand.
16. The method of claim 15 further comprising participating in an activity that involves gripping the item.
17. The method of claim 16 further comprising the step of adding an attachment mechanism to an item.
18. The method of claim 17 further comprising attaching the accessory the towel.
19. The method of claim 18 further comprising the step of machine washing the accessory.
20. The method of claim 19 further comprising machine drying the accessory.

* * * * *