



(11) **EP 4 242 094 A3**

(12) **EUROPEAN PATENT APPLICATION**

(88) Date of publication A3:
08.11.2023 Bulletin 2023/45

(51) International Patent Classification (IPC):
B63B 21/50^(2006.01)

(43) Date of publication A2:
13.09.2023 Bulletin 2023/37

(52) Cooperative Patent Classification (CPC):
B63B 21/50; B63B 2021/505

(21) Application number: **23175475.5**

(22) Date of filing: **02.03.2018**

(84) Designated Contracting States:
AL AT BE BG CH CY CZ DE DK EE ES FI FR GB GR HR HU IE IS IT LI LT LU LV MC MK MT NL NO PL PT RO RS SE SI SK SM TR

(72) Inventor: **ABRISKETA LOZANO, Nagore**
48940 LEIOA (ES)

(62) Document number(s) of the earlier application(s) in accordance with Art. 76 EPC:
18721831.8 / 3 760 529

(74) Representative: **Igartua, Ismael Galbaian S. Coop.**
Garaia Parke Teknologikoa
Goiru Kalea 1
20500 Arrasate-Mondragón (ES)

(71) Applicant: **Vicinay Mooring Connectors, S.A.**
48191 Galdames (ES)

(54) **MOORING LINE TENSIONER OF A FLOATING STRUCTURE**

(57) Tensioner of a mooring line of a floating structure, the mooring line (400) comprising a first and a second mooring line (410, 420) attached to the floating structure and to an anchoring device, and the tensioner (300) comprising a body (10) with a housing (11), and an inlet unit (40) for inserting a second end (412) of the first mooring line (410) into the housing (11) of the body (10), the

body (10) comprising an opening (12) for the passage of the second end (412) of the first mooring line (410) from the inlet unit (40), through the housing (11), and along a direction changing element. The tensioner (300) comprises a stabilizing platform (100) fixed to the body (10), with said stabilizing platform (100) laterally projecting from said body (10).

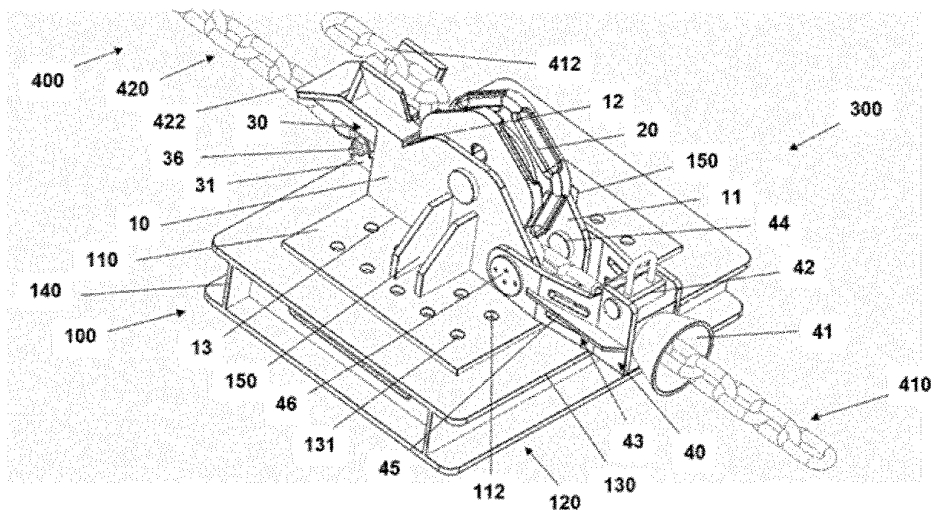


FIG. 2

EP 4 242 094 A3



EUROPEAN SEARCH REPORT

Application Number

EP 23 17 5475

5

10

15

20

25

30

35

40

45

DOCUMENTS CONSIDERED TO BE RELEVANT

Category	Citation of document with indication, where appropriate, of relevant passages	Relevant to claim	CLASSIFICATION OF THE APPLICATION (IPC)
X	WO 2014/083056 A1 (AKER ENGINEERING & TECHNOLOGY [NO]) 5 June 2014 (2014-06-05) * page 11, line 31 - page 12, line 22 * * page 16, line 13 - page 17, line 19 * * figures 1-5b *	1-15	INV. B63B21/50
A	EP 1 283 158 A1 (SINGLE BUOY MOORINGS [CH]) 12 February 2003 (2003-02-12) * paragraphs [0017] - [0024]; figures 1-6b *	1-15	
A	EP 2 130 759 A2 (HOWALDSWERKE DEUTSCHE WERFT [DE]) 9 December 2009 (2009-12-09) * figures 1,2 *	1-5	
A	CN 103 640 672 A (WUXI DISCRANE HEAVY MACHINERY) 19 March 2014 (2014-03-19) * figures 1-3 *	1, 2, 4, 9, 10, 12, 15	
			TECHNICAL FIELDS SEARCHED (IPC)
			B63B
The present search report has been drawn up for all claims			
Place of search		Date of completion of the search	Examiner
The Hague		29 September 2023	Mauriès, Laurent
CATEGORY OF CITED DOCUMENTS			
X : particularly relevant if taken alone Y : particularly relevant if combined with another document of the same category A : technological background O : non-written disclosure P : intermediate document		T : theory or principle underlying the invention E : earlier patent document, but published on, or after the filing date D : document cited in the application L : document cited for other reasons & : member of the same patent family, corresponding document	

2
EPO FORM 1503 03:82 (P04C01)

50

55

ANNEX TO THE EUROPEAN SEARCH REPORT
ON EUROPEAN PATENT APPLICATION NO.

EP 23 17 5475

5 This annex lists the patent family members relating to the patent documents cited in the above-mentioned European search report.
The members are as contained in the European Patent Office EDP file on
The European Patent Office is in no way liable for these particulars which are merely given for the purpose of information.

29-09-2023

Patent document cited in search report	Publication date	Patent family member(s)	Publication date
WO 2014083056 A1	05-06-2014	NO 335406 B1 WO 2014083056 A1	08-12-2014 05-06-2014
EP 1283158 A1	12-02-2003	CA 2456555 A1 EP 1283158 A1 EP 1414695 A1 US 2004231579 A1 WO 03013950 A1	20-02-2003 12-02-2003 06-05-2004 25-11-2004 20-02-2003
EP 2130759 A2	09-12-2009	DE 102008027351 A1 EP 2130759 A2 ES 2390806 T3 KR 20090127225 A PT 2130759 E	10-12-2009 09-12-2009 16-11-2012 10-12-2009 27-09-2012
CN 103640672 A	19-03-2014	NONE	