



US00D347558S

United States Patent [19]

[11] Patent Number: Des. 347,558

Alonzo

[45] Date of Patent: ** Jun. 7, 1994

[54] SKI BOOT CLAMP RELEASE TOOL

5,060,403 10/1991 Battistella 36/119
5,116,073 5/1992 Goud 280/617

[76] Inventor: Adolph A. Alonzo, 21649 Laurel Ct.,
Walnut, Calif. 91789

Primary Examiner—Theodore M. Shooman
Assistant Examiner—Paula Mortimer
Attorney, Agent, or Firm—Terry M. Gernstein

[**] Term: 14 Years

[57] CLAIM

[21] Appl. No.: 896,471

The ornamental design for a ski boot clamp release tool,
as shown and described.

[22] Filed: Jun. 9, 1992

[52] U.S. Cl. D8/14; D2/641

[58] Field of Search D2/641; D8/14, 44;
280/814, 816, 809; 7/170; 81/3.27, 3.55, 3.48;
D21/229

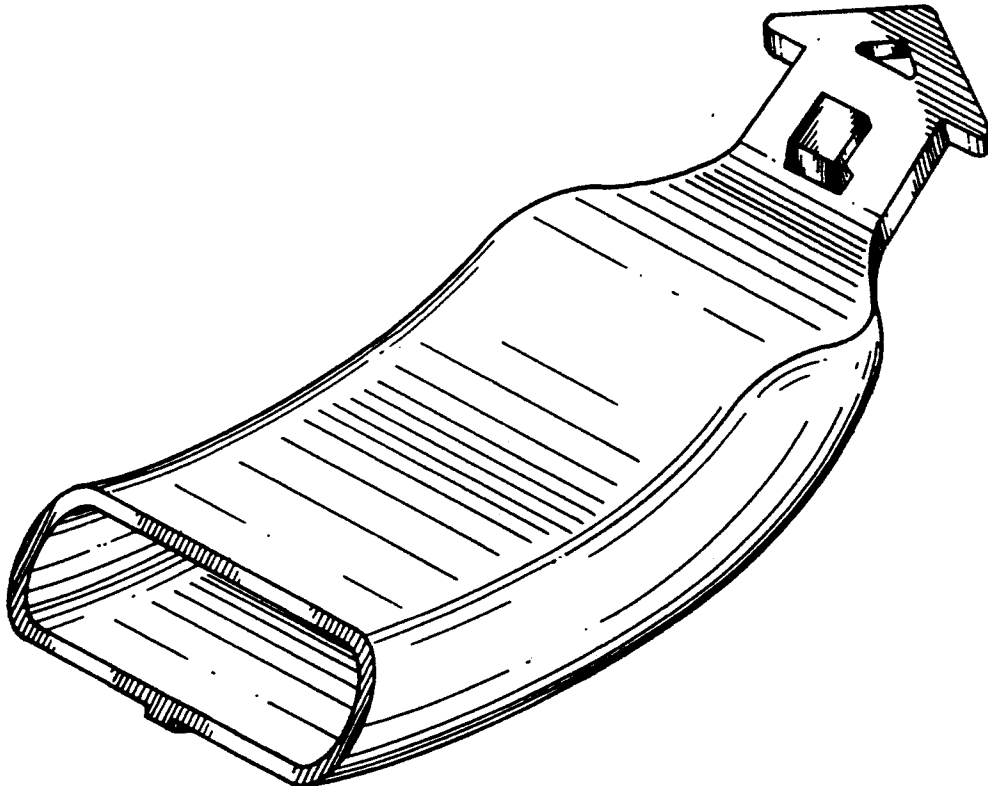
DESCRIPTION

[56] References Cited

U.S. PATENT DOCUMENTS

4,304,019 12/1981 Sava D8/14 X
4,830,403 5/1989 Ohmori 280/815
4,958,448 9/1990 Wenzel 36/119
5,012,598 5/1991 Baggio 36/119

FIG. 1 is a top, end and side perspective view of the ski boot clamp release tool showing my new design; FIG. 2 is a bottom plan view thereof; FIG. 3 is a top plan view thereof; FIG. 4 is a side elevational view thereof, the side opposite being a mirror image of the side shown in FIG. 4; FIG. 5 is an end elevational view thereof; and, FIG. 6 is an end elevational view thereof showing the end opposite to the end shown in FIG. 5.



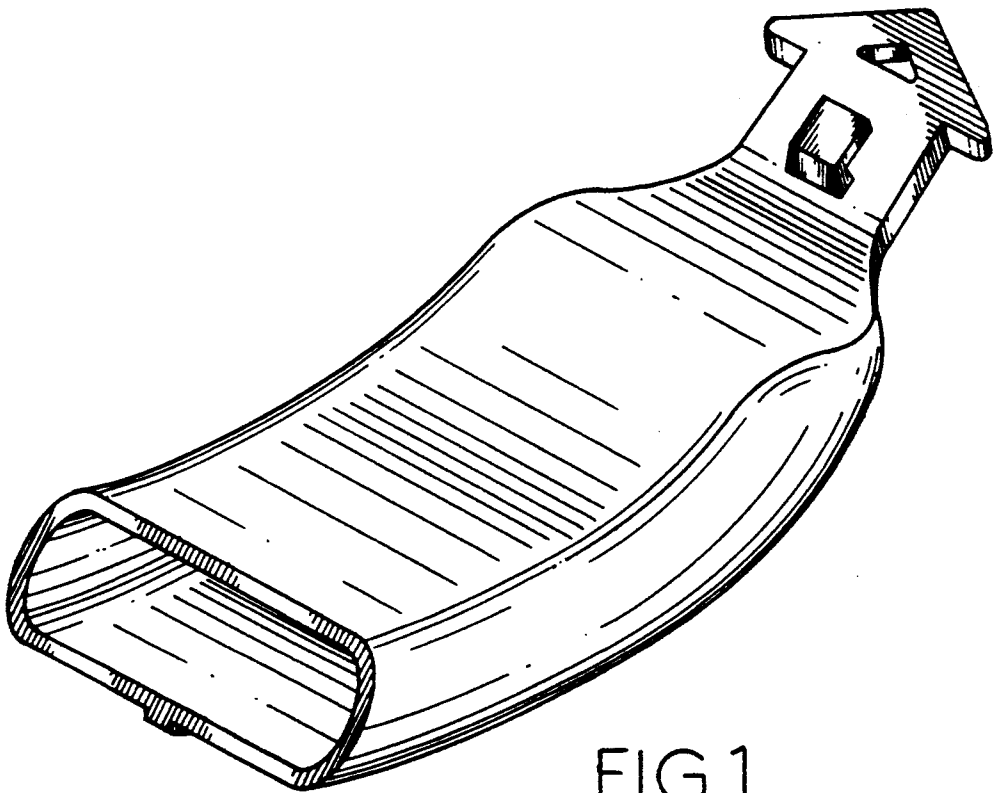


FIG.1.

FIG. 4.

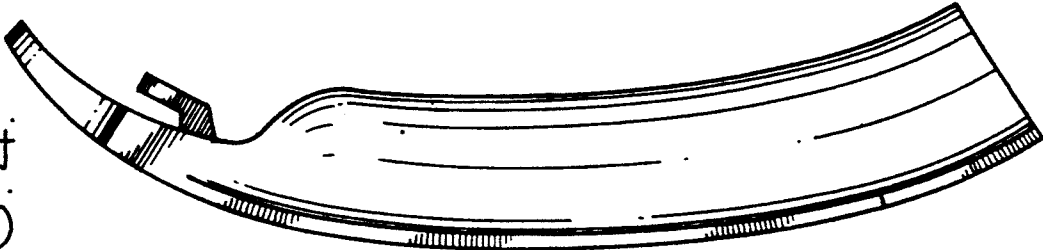


FIG. 2.

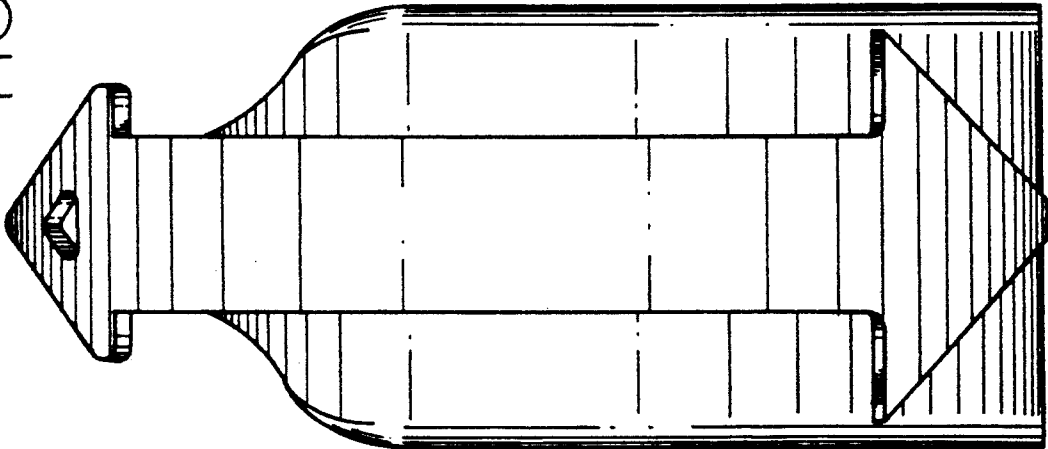


FIG. 3.

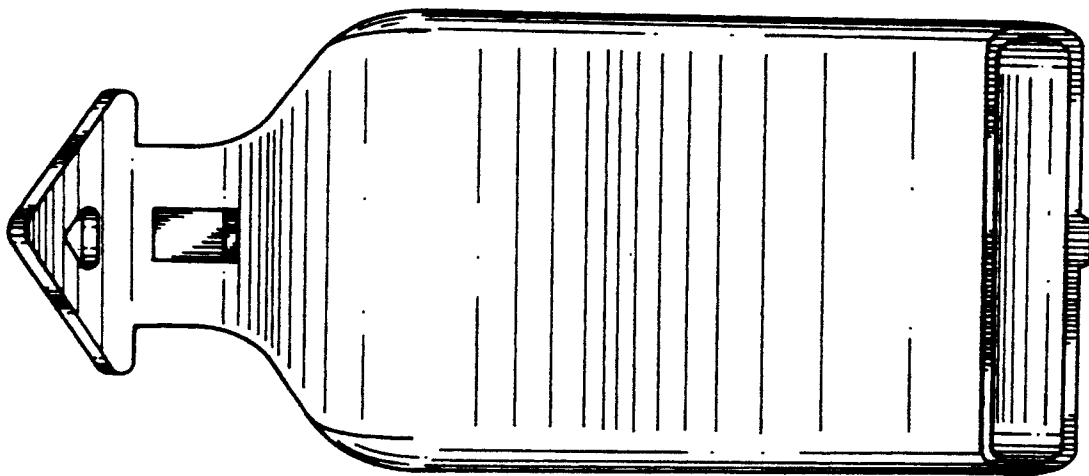


FIG. 6.

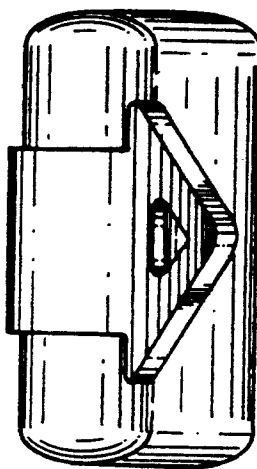


FIG. 5.

