



Europäisches Patentamt
European Patent Office
Office européen des brevets



(11) **EP 1 375 312 A3**

(12) **EUROPEAN PATENT APPLICATION**

(88) Date of publication A3:
08.09.2004 Bulletin 2004/37

(51) Int Cl.7: **B62D 33/04**

(43) Date of publication A2:
02.01.2004 Bulletin 2004/01

(21) Application number: **02021139.7**

(22) Date of filing: **23.09.2002**

(84) Designated Contracting States:
**AT BE BG CH CY CZ DE DK EE ES FI FR GB GR
IE IT LI LU MC NL PT SE SK TR**
Designated Extension States:
AL LT LV MK RO SI

(71) Applicant: **Vicente Miro Bravo**
03800 Alcoy, Alicante (ES)

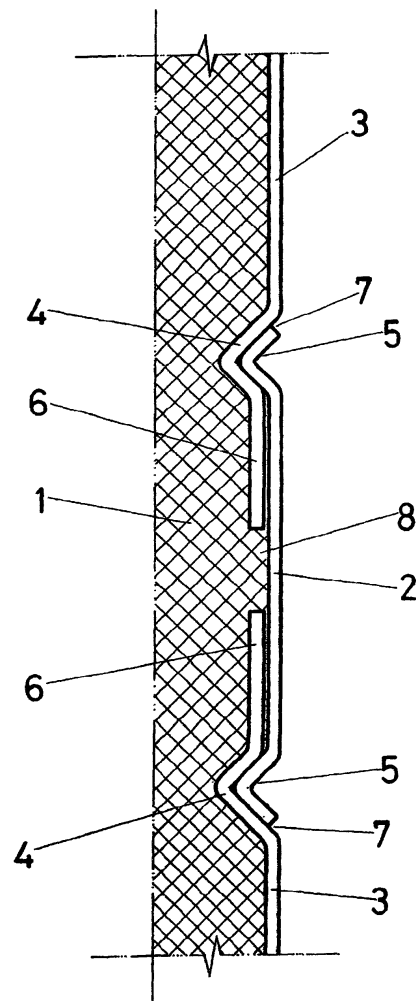
(72) Inventor: **Vicente Miro Bravo**
03800 Alcoy, Alicante (ES)

(30) Priority: **04.06.2002 ES 200201426 U**

(74) Representative: **Isern Jara, Nuria**
Avda. Diagonal, 463 Bis 2
08036 Barcelona (ES)

(54) **Improved cover for isothermal panel**

(57) Improved cover for isothermal panel (1), especially suitable for refrigerated vehicle transport. The cover can be fitted on only one side or on both sides of a panel of thermal insulating material and is made up of a series of metal sheets (3) arranged transversally between which there are some other sheets (2) superimposed, suitable for welding and removal. Each sheet that is on the surface of the cover has a V-shaped receiving groove (4) on the edge of an adjoining sheet (2) for the reception of the V shaped profile (5) on both edges of each intermediate sheet to accommodate the weld.



EP 1 375 312 A3



European Patent
Office

EUROPEAN SEARCH REPORT

Application Number
EP 02 02 1139

DOCUMENTS CONSIDERED TO BE RELEVANT			
Category	Citation of document with indication, where appropriate, of relevant passages	Relevant to claim	CLASSIFICATION OF THE APPLICATION (Int.CI.7)
A	DE 38 37 890 A (EMIL DOLL GMBH U CO KG FAHRZEU) 10 May 1990 (1990-05-10) * column 1 - column 2; claim 1; figure 8 * -----	1,2	B62D33/04
A	US 5 992 117 A (SCHMIDT GEORGE A) 30 November 1999 (1999-11-30) * column 1, line 60 - column 2, line 25; figure 1 * -----	1,2	
A	US 6 220 651 B1 (EHRlich RODNEY P) 24 April 2001 (2001-04-24) * column 13 - column 14; figure 16 * -----	1	
The present search report has been drawn up for all claims			TECHNICAL FIELDS SEARCHED (Int.CI.7)
			B62D
Place of search	Date of completion of the search	Examiner	
The Hague	19 July 2004	Szaip, A	
CATEGORY OF CITED DOCUMENTS			
X : particularly relevant if taken alone Y : particularly relevant if combined with another document of the same category A : technological background O : non-written disclosure P : intermediate document		T : theory or principle underlying the invention E : earlier patent document, but published on, or after the filing date D : document cited in the application L : document cited for other reasons & : member of the same patent family, corresponding document	

EPO FORM 1503 03/02 (P04/C01)

**ANNEX TO THE EUROPEAN SEARCH REPORT
ON EUROPEAN PATENT APPLICATION NO.**

EP 02 02 1139

This annex lists the patent family members relating to the patent documents cited in the above-mentioned European search report. The members are as contained in the European Patent Office EDP file on
The European Patent Office is in no way liable for these particulars which are merely given for the purpose of information.

19-07-2004

Patent document cited in search report		Publication date	Patent family member(s)	Publication date
DE 3837890	A	10-05-1990	DE 3837890 A1	10-05-1990
US 5992117	A	30-11-1999	CA 2242467 A1	12-07-1999
US 6220651	B1	24-04-2001	US 5860693 A	19-01-1999
			CA 2265405 A1	01-01-2000
			US 2002109377 A1	15-08-2002
			US 2001024055 A1	27-09-2001
			AU 4260997 A	02-04-1998
			CA 2264311 A1	19-03-1998
			EP 0925218 A1	30-06-1999
			WO 9810974 A1	19-03-1998