

(19) World Intellectual Property
Organization
International Bureau



(43) International Publication Date
29 April 2004 (29.04.2004)

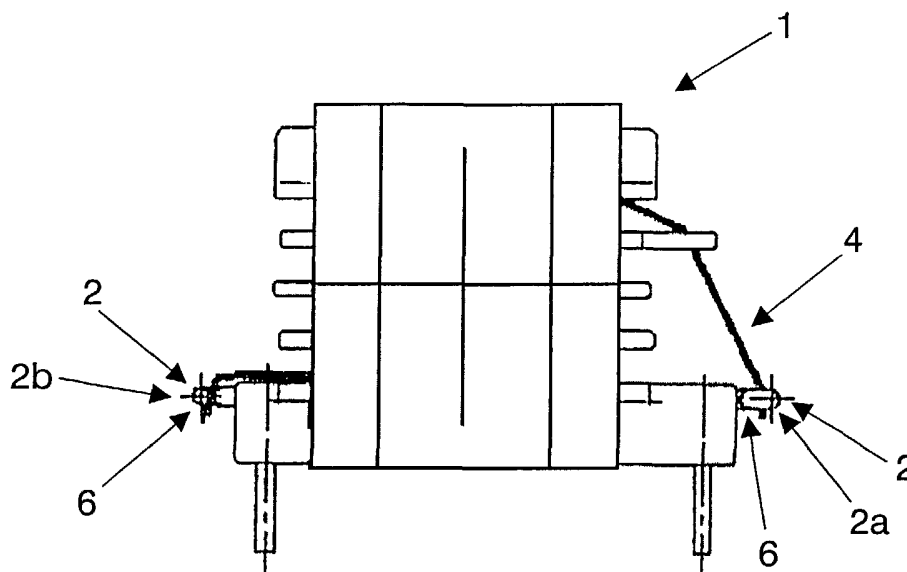
PCT

(10) International Publication Number
WO 2004/036603 A1

- (51) International Patent Classification⁷: **H01F 5/04**, 41/10 [NL/NL]; c/o Prof. Holstlaan 6, NL-5656 AA Eindhoven (NL).
- (21) International Application Number: PCT/IB2003/003950
- (22) International Filing Date: 12 September 2003 (12.09.2003)
- (25) Filing Language: English
- (26) Publication Language: English
- (30) Priority Data: 02079281.8 16 October 2002 (16.10.2002) EP
- (71) Applicant (for all designated States except US): **KONINKLIJKE PHILIPS ELECTRONICS N.V.** [NL/NL]; Groenewoudseweg 1, NL-5621 BA Eindhoven (NL).
- (72) Inventors; and
- (75) Inventors/Applicants (for US only): **HOPMANS, Jan, H., M.** [NL/NL]; c/o Prof. Holstlaan 6, NL-5656 AA Eindhoven (NL). **VAN LIMPT, Cornelis, H., P.** [NL/NL]; c/o Prof. Holstlaan 6, NL-5656 AA Eindhoven (NL). **ROCHE, Adviomus, A.** [NL/NL]; c/o Prof. Holstlaan 6, NL-5656 AA Eindhoven (NL). **SCHEPENS, Nicolaas, J.**
- (74) Agent: **DEGUELLE, Wilhelmus, H., G.**; Philips Intellectual Property & Standards, Prof. Holstlaan 6, NL-5656 AA Eindhoven (NL).
- (81) Designated States (national): AE, AG, AL, AM, AT, AU, AZ, BA, BB, BG, BR, BY, BZ, CA, CH, CN, CO, CR, CU, CZ, DE, DK, DM, DZ, EC, EE, EG, ES, FI, GB, GD, GE, GH, GM, HR, HU, ID, IL, IN, IS, JP, KE, KG, KP, KR, KZ, LC, LK, LR, LS, LT, LU, LV, MA, MD, MG, MK, MN, MW, MX, MZ, NI, NO, NZ, OM, PG, PH, PL, PT, RO, RU, SC, SD, SE, SG, SK, SL, SY, TJ, TM, TN, TR, TT, TZ, UA, UG, US, UZ, VC, VN, YU, ZA, ZM, ZW.
- (84) Designated States (regional): ARIPO patent (GH, GM, KE, LS, MW, MZ, SD, SL, SZ, TZ, UG, ZM, ZW), Eurasian patent (AM, AZ, BY, KG, KZ, MD, RU, TJ, TM), European patent (AT, BE, BG, CH, CY, CZ, DE, DK, EE, ES, FI, FR, GB, GR, HU, IE, IT, LU, MC, NL, PT, RO, SE, SI, SK, TR), OAPI patent (BF, BJ, CF, CG, CI, CM, GA, GN, GQ, GW, ML, MR, NE, SN, TD, TG).
- Published: — with international search report

[Continued on next page]

(54) Title: LITZ WIRE FIXATION FOR LOW BUILDING HEIGHT



(57) Abstract: The invention relates to a coil (1) comprising at least one pin with an end for anchoring a woven wire, preferably a litz wire resulting in a low building height. Said pin end has a U-shaped part (3) forming a slot (5), said slot (5) has an inner width equal to or smaller than the diameter of the wire (4). It is thereby obtained that the anchoring pin provides a secure anchoring position for the wire during wrapping and that the anchoring pin can be used for litz wire, thereby overcoming the drawbacks in the prior art as well as obtaining a good foundation for the subsequent soldering process. Furthermore it is obtained that height of the coil is smaller than the prior-art coils.

WO 2004/036603 A1



For two-letter codes and other abbreviations, refer to the "Guidance Notes on Codes and Abbreviations" appearing at the beginning of each regular issue of the PCT Gazette.

Litz wire fixation for low building height

This invention relates to a coil comprising at least one pin with an end for anchoring a woven wire, preferably a litz wire resulting in a low building height.

5 The wires used for manufacturing a coil are of various types and shapes. This invention relates primarily to a litz wire, which is a wire woven of several strands. The individual strands may be bunched or braided together in a uniform pattern of twists and length of lay.

 The litz wire, also called "litzendraht" wire, is thereby a bundle of individually
10 insulated strands, and may for instance be 16 strands of 0.1 mm (16*0.1) in diameter. The isolation material may for example be a polymer. Some litz wires are further isolated by for instance textile.

 Litz wire is used in coils to minimize the power loss and to reduce the so-called "skin-effect" at high frequencies, which is often encountered in a solid conductor. A
15 bundle of individual strands has a lower AC resistance than one solid strand/conductor having the same cross section area. The AC resistance can be translated as a resistance which expresses the total losses in a component, namely the DC resistance, skin-effect, proximity effect and core losses.

 Furthermore, to achieve the best result of the litz wire it is essential to position
20 each individual strand in the litz construction in a uniform pattern moving from the center to the outside and back at a given length.

 The connector pin in coils is used to connect the wire ends, so that one end of the wire is anchored before winding the wire around the coil and the other end is subsequently anchored after the winding. The anchoring of the wire is performed to maintain
25 the wire in a certain position prior to a soldering of the wire, and the anchoring in the prior art is performed by wrapping the wire around the pin several times.

 In the known coils 1 the connector pins are typically L-shaped 2 or I-shaped 3 as shown in Fig. 1. In order to establish a secure positioning of the wire around the prior-art pins, the wire is wrapped essentially two to four times around the pin as shown in Fig. 1.

Accordingly, the extent of that part of the pin, shown by reference "a" in Fig. 1, is typically at least two to four times the diameter of the wire, which results in a coil with an extensive width.

Furthermore, when litz wire is wrapped around the prior art pins, the litz wire
5 has the tendency to release itself from the pin due to the fact that the individual strands
straighten themselves, thereby creating a distance between the wire and the pin. Hereby is
achieved that the solder at the soldering process slips through and thereby the soldering does
not have the effect it was supposed to have.

The release of the litz wire is, however, not directly a disadvantage for the
10 soldering due to the capillary action of the tin solder. But too loose wires may shift or unwrap
during the time between winding and soldering, which in this instance can result in bad
soldering or even short circuit.

In EP 0 304 593 a coil is disclosed, wherein a wire is held near the connector
pin, whereupon the pin is bent to squeeze around the wire and thereby maintain the wire in
15 this position before the soldering process. This squeezing process is not sufficient to hold a
litz wire before the winding process of the coil due to the forces used in the winding process,
and therefore these pins are not useful for litz wires.

Nor are the known connector pins in coils particularly usable for litz wires
since it is not possible to maintain the litz wires in position before and during soldering only
20 by wrapping the litz wire around an anchoring pin several times as explained above.

Furthermore, to achieve the best soldering result, all the strands inside the litz
wire must be soldered and therefore exposed to the soldering process, which is not properly
done only by wrapping the litz wire around the pin due to the fact that a litz wire releases
itself from the pin because the strands find their way back to their initial position where they
25 are straightened the most.

An object of the present invention is to provide a coil wherein contact between
the wire and the anchoring pin is obtained and wherein the individual strands are more or less
30 exposed to the soldering process during the anchoring of the wire.

Another object of the present invention is to provide a coil which is suitable
for litz wire and which spreads the individual strands during the anchoring of the wire before
the soldering of the wire.

A further object of the present invention is to minimize the height and the width of the coil.

The above objects are obtained according to the present invention by the pin end having a U-shaped part forming a slot, said slot having an inner width equal to or smaller than the diameter of the wire.

As the inner width of the slot is equal to or smaller than the diameter of the wire, the wire is firmly secured in the slot, and further fixation of the wire can be obtained by wrapping the wire one time around the anchoring pin and then once again securing it in the slot. The further anchoring of the wire is especially used in the anchoring of the wire before the winding process of the coil.

By the inventive coil it is obtained that the anchoring pin provides a secure anchoring position for the wire during wrapping and that the anchoring pin can be used for litz wire, thereby overcoming the prior-art drawbacks described above as well as obtaining a good foundation for the subsequent soldering process.

The coil according to the present invention furthermore provides an anchoring pin which makes the mounted coil smaller in height without making the coil bigger in width in relation to the prior-art coils.

By using the coil according to the present invention the anchoring of the wire is carried out by pulling the wire into the slot of the anchoring pin of the coil. Prior to the winding process of the coil it can be advantageous to wrap the wire one time around the anchoring pin and then pull into the slot once more. It is hereby obtained that the litz wire is securely held by the anchoring pin without the litz wire releasing itself from the pin due to its springiness as explained above.

Furthermore it is obtained that the litz wire is deformed so that most of the individual strands in the wire are exposed to the soldering process. It is hereby obtained that the capillary-effect can be used during the soldering process due to the small distance between the wire and the pin and the small mutual distance between the strands, which surprises the skilled person.

In advantageous embodiments according to the present invention the pin end of the anchoring pin projects horizontally or vertically in a radial direction from the coil. Hereby is obtained that the height of the coil is minimized without jeopardizing the secure positioning of the wire.

In advantageous embodiments according to the present invention the width of the slot decreases towards the closed end of the slot. This decreasing width makes the anchoring of wires with various diameters possible.

5 The term anchoring pin is in the context of this specification to be construed as any kind of bendable rigid metal or metal covered with a solderable plating in the form of a pin as well as a rod, bar, pole, stick, pipe, tube, shaft or stump.

The term anchor is in the context of this specification to be construed as a fixing of a movable object, here the wire, to a fixed object, here the anchoring pin, so that the movable object is not only maintained but also held in the firmly secured position.

10

The above, as well as additional advantages of the present invention, will be better understood through the following illustrative and non-limiting detailed description of preferred embodiments of the present invention, with reference to the appended drawings, wherein:

15

Fig. 1 shows a coil with a known L-shaped connector pin and a known I-shaped connector pin. It is for illustration purpose only that the coil includes both an I-shaped and an L-shaped connector pin.

20

Fig. 2 shows a coil seen from the side, illustrating the placement of the anchoring pins according to the invention.

Fig. 3 shows the coil arrangement seen from above of Fig. 2.

All Figures are schematic and are not to scale, and show only parts necessary for the clarification of the preferred embodiments of the present invention.

25

Fig. 2 shows a coil 1 according to a first embodiment of the present invention comprising two anchoring pins 2a, 2b and a wire 4 which before the winding of the wire 4 around the coil 1 is anchored in the first pin 2b and likewise wire 4 is anchored in the second pin 2a after the winding process.

30

Fig. 3 shows a coil 1 seen from above of Fig. 2 according to a first embodiment of the present invention, where the coil 1 comprises the pin 2 with the end for anchoring the woven wire 4, preferably a litz wire, where said pin 2 end has a U-shaped part 3 forming a slot 5, and said slot 5 has an inner width equal to or smaller than the diameter of

the wire 4, where the slot 5 may in expedient manner anchor the wire 4 before and during the soldering of the wire 4.

Hereby is obtained that the wire 4 is anchored in the slot 5 by the friction between the surface of the wire 4 and the inner side of the slot 5 due to the deformation of the wire 4 pulled into the slot 5. The individual strands of the litz wire 4 are spread more or less from each other during the anchoring of the wire 4 in the slot 5, and thereby the pin 2 is having contact with substantially most of the wire 4 and the individual strands, which creates a good basis for a perfect soldering of the wire 4 and the individual strands.

In Figs. 2 and 3 the anchoring pin 2 is shown as having a U-shaped part 3 projecting in a radial direction from the coil 1. And as shown in Fig. 3 the U-shaped part 3 of the anchoring pin 2 is substantially in the horizontal plane of the coil 1, and the center axis of the slot 5 is in a 90° angle to the central axis of the coil 1.

In another embodiment according to the present invention the width of the slot decreases towards the closed end of the slot 5 so as to form a more open U-shape (not shown).

Furthermore the U-shaped part 3 of the anchoring pin 2 may be straighter in the bottom of the slot 5 so as to form a more square-shaped U-slot (not shown).

In further embodiments of the present invention the shape of the slot 5 is a V-shape so as to accommodate wires of different diameters. It is possible in this respect to vary the design or shape of the slot to the individual wire being used without departing from the inventive idea. Common for shapes of the slots are that they have equal or smaller width than the diameter of the wire pulled through it.

In expedient manner according to the present invention the U-shaped part 3 of the anchoring pin 2 may project vertically in a radial direction from the coil 1, so that the slot 5 is parallel with the central axis of the coil 1.

In further preferred embodiments of the present invention the U-shaped part 3 of the anchoring pin 2 may project in a radial direction from the coil 1, so that the central axis 6 of the slot 5 is at a random angle to the central axis 7 of the coil 1. Hereby this choice of angle between the central axis 6 of the slot 5 and the central axis 7 of the coil 1 is appreciated by the skilled person during the optimization of the production of the coil in finding the best and most efficient manufacturing of the coil.

According to the invention litz wires may for instance have the following dimensions (number of individual strands*diameter) 16*0.1mm, 20*0.1mm, 20*0.71mm, 25*0.071mm, 80*0.071mm and 4*0.2mm and be used in connection with a slot having an

inner width of 0.25mm and litz wires having for instance the dimension of 80*0.1mm may be used in connection with a slot having an inner width of 0.8mm. These examples have shown to be advantageous due to the smaller width of the slot compared to the diameter of the wire and thereby obtaining a secure positioning of the wire.

5 The use of the above mentioned litz wires in connection with the respective slots has shown that the wires are deformed in some degree as the wire is pulled into the slot and the individual strands of the wire 4 are furthermore spread somewhat at the anchoring of the wire 4 in the slot 5. This provides that the solder is sucked in between the strands of the wire by means of the capillary-effect due to the small distance between the pin 2 and the wire
10 4 and the small mutual distance between the strands.

 In practice the distance a in Fig. 1 has shown to be larger than the distance b in Fig. 3, which makes the anchoring pin of the present invention advantageous because it makes the coil width smaller without making the coil higher compared to the known L-shaped and I-shaped anchoring pins

15 Further, the coil according to the invention may advantageously be used for power conversion applications, such as UHP ignition transformer for beamers or LCD projection television.

 Furthermore, the coil according to the invention may be used for SMD (Surface Mounted Devices) mounting.

20 Although the present invention is disclosed by the preferred embodiments of the present invention, it is obvious to any person skilled the art that several improvements are possible without deviating from the present invention as defined in the following claims.

CLAIMS:

1. A coil (1) comprising at least one pin (2) with an end for anchoring a woven wire (4) preferably a litz wire, characterized in that said pin end has a U-shaped part (3) forming a slot (5), said slot (5) has an inner width equal to or smaller than the diameter of the wire (4).
5
2. A coil (1) according to claim 1, characterized in that said pin end projects horizontally in a radial direction from the coil (1).
3. A coil (1) according to claim 1, characterized in that said pin end projects
10 vertically in a radial direction from the coil (1).
4. A coil (1) according to claim 1, characterized in that said width of the slot (5) decreases towards the closed end of the slot (5).
- 15 5. An anchoring pin for a coil, said pin comprising an end having a U-shaped part (3) forming a slot (5), and said slot (5) having an inner width equal to or smaller than the diameter of a litz wire (4).
- 6 A power converter provided with a coil as claimed in claim 1.
20
7. A power converter having a coil provided with an anchoring pin as claimed in claim 5.

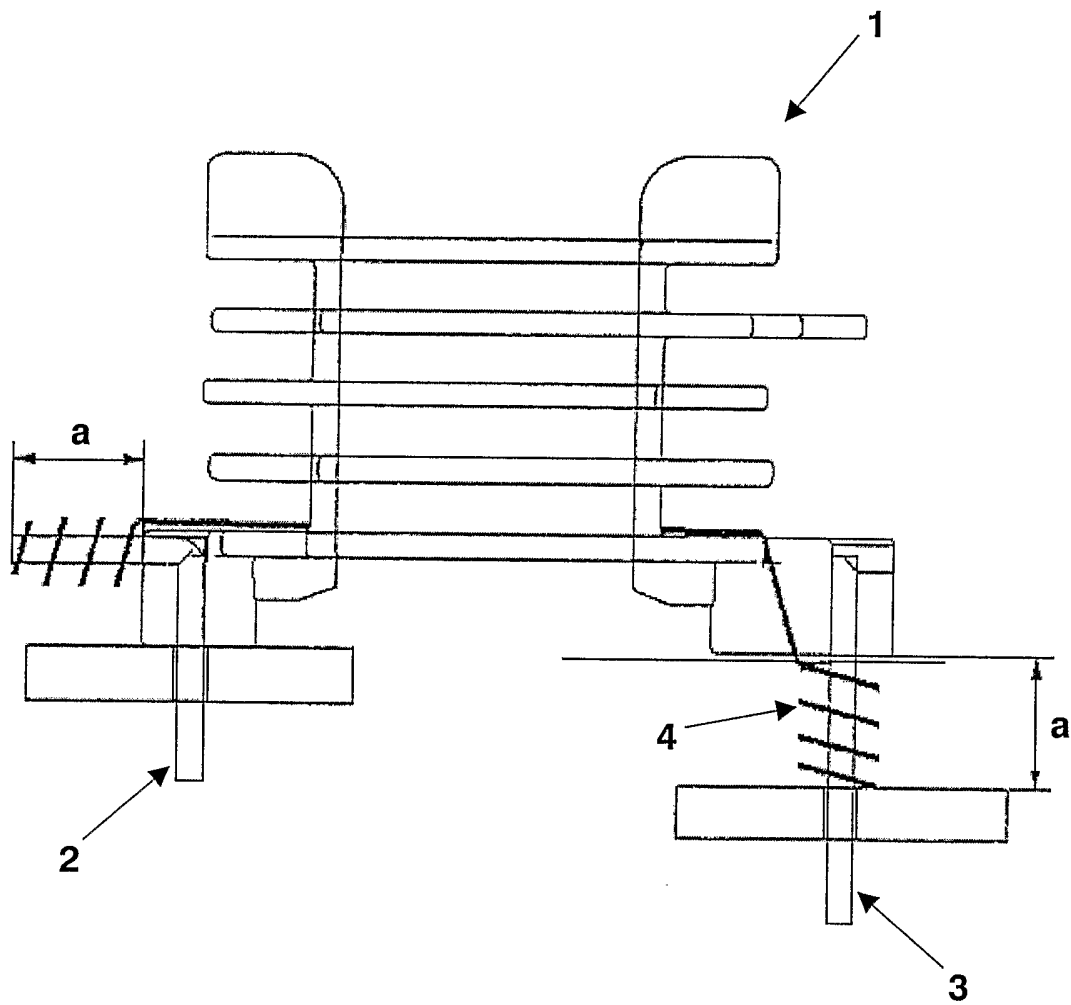


FIG.1

2/2

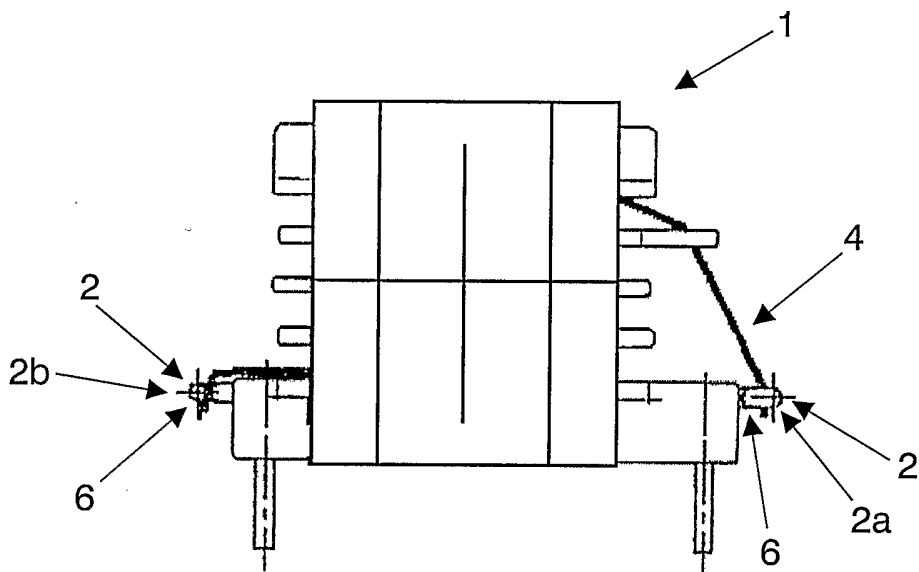


FIG. 2

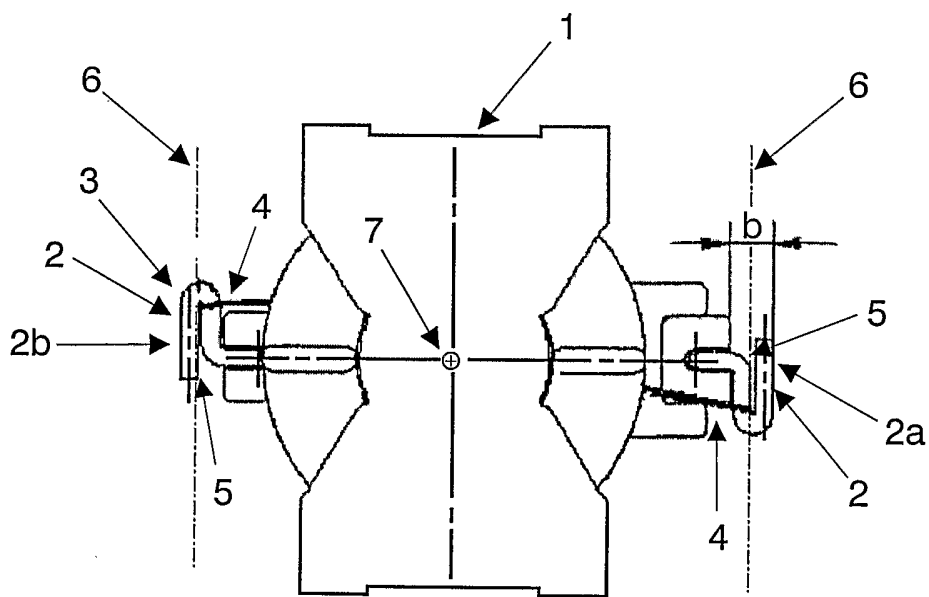


FIG. 3

INTERNATIONAL SEARCH REPORT

International Application No
PCT/IB 03/03950

A. CLASSIFICATION OF SUBJECT MATTER
IPC 7 H01F5/04 H01F41/10

According to International Patent Classification (IPC) or to both national classification and IPC

B. FIELDS SEARCHED

Minimum documentation searched (classification system followed by classification symbols)
IPC 7 H01F

Documentation searched other than minimum documentation to the extent that such documents are included in the fields searched

Electronic data base consulted during the international search (name of data base and, where practical, search terms used)

WPI Data, PAJ, EPO-Internal

C. DOCUMENTS CONSIDERED TO BE RELEVANT

Category °	Citation of document, with indication, where appropriate, of the relevant passages	Relevant to claim No.
X	PATENT ABSTRACTS OF JAPAN vol. 1996, no. 06, 28 June 1996 (1996-06-28) & JP 08 051043 A (NITTOKU ENG CO LTD), 20 February 1996 (1996-02-20) abstract	1,5
A	----	
A	EP 0 482 694 A (PHILIPS NV) 29 April 1992 (1992-04-29) abstract	1-3,5
A	----	
A	US 5 561 270 A (BAESSLER GERD ET AL) 1 October 1996 (1996-10-01) abstract	1,4,5

	-/--	

Further documents are listed in the continuation of box C.

Patent family members are listed in annex.

° Special categories of cited documents :

- *A* document defining the general state of the art which is not considered to be of particular relevance
- *E* earlier document but published on or after the international filing date
- *L* document which may throw doubts on priority claim(s) or which is cited to establish the publication date of another citation or other special reason (as specified)
- *O* document referring to an oral disclosure, use, exhibition or other means
- *P* document published prior to the international filing date but later than the priority date claimed

- *T* later document published after the international filing date or priority date and not in conflict with the application but cited to understand the principle or theory underlying the invention
- *X* document of particular relevance; the claimed invention cannot be considered novel or cannot be considered to involve an inventive step when the document is taken alone
- *Y* document of particular relevance; the claimed invention cannot be considered to involve an inventive step when the document is combined with one or more other such documents, such combination being obvious to a person skilled in the art.
- *&* document member of the same patent family

Date of the actual completion of the international search

Date of mailing of the international search report

17 November 2003

02/12/2003

Name and mailing address of the ISA

European Patent Office, P.B. 5818 Patentlaan 2
NL - 2280 HV Rijswijk
Tel. (+31-70) 340-2040, Tx. 31 651 epo nl,
Fax: (+31-70) 340-3016

Authorized officer

Marti Almeda, R

INTERNATIONAL SEARCH REPORT

International Application No
PCT/IB 03/03950

C.(Continuation) DOCUMENTS CONSIDERED TO BE RELEVANT		
Category °	Citation of document, with indication, where appropriate, of the relevant passages	Relevant to claim No.
A	PATENT ABSTRACTS OF JAPAN vol. 1996, no. 10, 31 October 1996 (1996-10-31) & JP 08 153630 A (TEC CORP), 11 June 1996 (1996-06-11) abstract; figures ---	1,5-7
A	DATABASE WPI Section EI, Week 199633 Derwent Publications Ltd., London, GB; Class V02, AN 1996-331546 XP002261833 & JP 08 153630 A (TOKYO ELECTRIC CO LTD), 11 June 1996 (1996-06-11) abstract -----	1,5-7

INTERNATIONAL SEARCH REPORT

Information on patent family members

International Application No

PCT/IB 03/03950

Patent document cited in search report	Publication date	Patent family member(s)	Publication date
JP 08051043	A	20-02-1996 JP 2999928 B2	17-01-2000
EP 0482694	A	29-04-1992 NL 9002320 A DE 69103372 D1 EP 0482694 A1 JP 4263405 A	18-05-1992 15-09-1994 29-04-1992 18-09-1992
US 5561270	A	01-10-1996 DE 4332172 A1 JP 7153501 A	23-03-1995 16-06-1995
JP 08153630	A	11-06-1996 NONE	
JP 8153630	A	11-06-1996 NONE	