

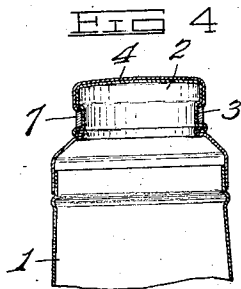
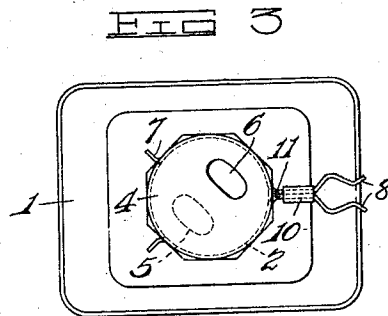
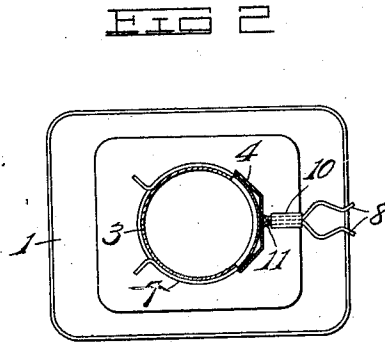
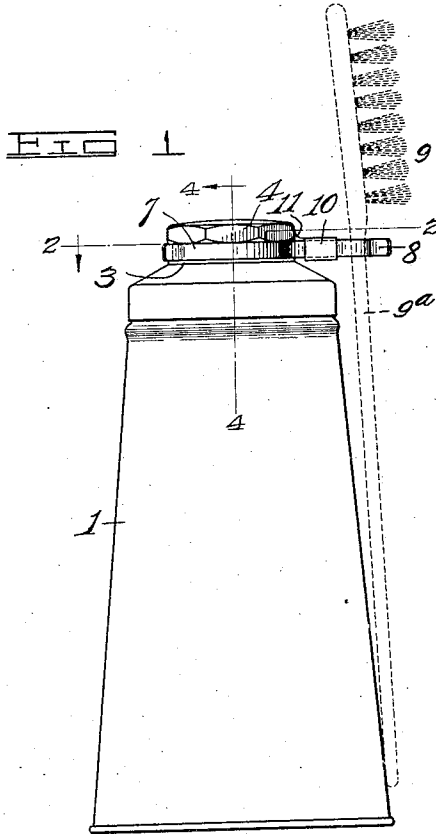
Aug. 9, 1927.

1,638,397

A. E. HENNEN

COMBINED POWDER CONTAINER AND TOOTHBRUSH HOLDER

Filed March 17, 1926



INVENTOR

A. E. Hennen.
BY *M. E. Dunlap*
ATTORNEY

UNITED STATES PATENT OFFICE.

ALBERT E. HENNEN, OF WHEELING, WEST VIRGINIA.

COMBINED POWDER CONTAINER AND TOOTHBRUSH HOLDER.

Application filed March 17, 1926. Serial No. 95,503.

This invention relates to cans or containers, and more particularly to a combined container for tooth powder and a support or holder for a tooth brush.

The primary object of the invention is to provide, in association with a tooth powder container of the type in which are employed an apertured fixed cover and an apertured rotatable cap, both having reduced neck portions and the neck of the cap being disposed in embracing relation to the neck of the cover, a holder by means of which a tooth brush may be removably supported, with the end in view to retain the brush in associated relation with said container when not in use.

A further object is to provide a tooth brush holder which is mounted in fixed relation to the rotary cap and which is adapted to be utilized as a convenient means for effecting rotation of said cap for moving the aperture thereof into and out of registering relation to the aperture of the cover.

In describing the invention in detail, reference is herein had to the accompanying drawings, in which—

Figure 1 is a side elevation of the invention;

Figure 2 is a section on line 2—2, Fig. 1;

Figure 3 is a top plan view; and—

Figure 4 is a partial section on line 4—4, Fig. 3.

Referring to said drawings, 1 indicates the body of a can of a conventional form employed as a container for tooth powder, and 2 designates a fixed cover for said can body, said cover being of circular form and having a contracted, or reduced, neck 3. Embracing said cap above said neck is a rotatable cap 4. Openings or apertures 5 and 6 of appropriate size and form are provided in off-center positions in the cover 2 and cap 4, respectively, their arrangement being such that, by rotation of said cap, they may be brought into and out of registering relation. It will of course be understood that, when said openings occupy registering relation, removal of the powder contents of the container is permitted.

Disposed in closely embracing relation to the neck 3 of the cover 2 is a clamping ring 7 having resilient terminals 8 directed hori-

zontally outward therefrom and shaped to form opposed gripping members between which may be introduced in upright position the handle 9^a of a tooth brush 9, as shown in dotted lines in Fig. 1. In the particular embodiment shown in the drawings, the ring 8 and the brush supporting members thereof are formed by complementary resilient metal strips which, intermediate the neck embracing portions and the terminals 8 thereof, are disposed in parallel abutting relation and which are secured in such relation by an embracing clip 10.

The strips composing the clamping ring 8 are preferably rigidly attached to the cap 4 so that, employing the terminals 8 thereof as a finger-piece or shifting arm, said cap may be conveniently rotated for moving the opening 6 thereof into and out of register with the opening 5 of the cover. Any suitable means for attaching the ring to the cap may be employed, as solder 11 applied in the angle between the abutting portions of the ring terminals and the adjacent portion of the cap, as shown.

It will be evident from the foregoing description that the invention provides a convenient form of holder whereby a tooth brush may be supported in intimate relation to the powder container and which, fixed to the rotatable cap of said container and employed as a finger-piece, affords convenient means whereby said cap may be rotated.

What is claimed is—

In combination with a powder container having a cover with a reduced neck and having a rotatable cap embracing said cover above said neck, said cover and said cap being provided with openings adapted to be brought into and out of registering relation by rotation of said cap, of a tooth brush support carried in fixed relation to said cap whereby rotation of the latter may be effected, said support projecting outward beyond the plane of a side wall of the container and comprising resilient clamping members between which a tooth brush handle is receivable.

In testimony whereof, I affix my signature.

ALBERT E. HENNEN.