



US0D1003493S

(12) **United States Design Patent**
Li

(10) **Patent No.:** **US D1,003,493 S**

(45) **Date of Patent:** **** Oct. 31, 2023**

(54) **PLANT GROW LIGHT**

(71) Applicant: **Qiang Li**, Changsha Hunan (CN)

(72) Inventor: **Qiang Li**, Changsha Hunan (CN)

(*) Notice: Patent file contains an affidavit/declaration under 37 CFR 1.130(b).

(**) Term: **15 Years**

(21) Appl. No.: **29/869,686**

(22) Filed: **Jan. 6, 2023**

(51) **LOC (14) Cl.** **26-05**

(52) **U.S. Cl.**
USPC **D26/93**

(58) **Field of Classification Search**
USPC D26/24, 51–52, 55, 60–66, 93, 104–110;
D11/143–144

CPC A01G 7/045; A01G 9/249; F21Y 2115/10;
F21Y 2113/13; F21V 21/06; F21K 9/64;
F21K 9/233; F21S 6/005; F21S 6/006;
F21S 6/007; F21S 6/002; F21S 6/003;
F21S 6/00; F21S 6/008; F21S 6/004

See application file for complete search history.

(56) **References Cited**

U.S. PATENT DOCUMENTS

D393,916 S *	4/1998	Lee	D26/106
D619,287 S *	7/2010	Liu	D26/62
D861,228 S *	9/2019	Grau	D26/93
D871,648 S *	12/2019	Tong	D26/107
D878,654 S *	3/2020	Lin	D26/60
D938,094 S *	12/2021	Wang	D26/106
D944,442 S *	2/2022	Chen	D26/93
D946,199 S *	3/2022	Cai	D26/93
D948,104 S *	4/2022	Gu	D26/107
D954,321 S *	6/2022	Chen	D26/61
D959,044 S *	7/2022	Gu	D26/105
D960,430 S	8/2022	Guo		
D963,926 S *	9/2022	Wang	D26/93
D967,500 S *	10/2022	Yuan	D26/106

D967,501 S *	10/2022	Luo	D26/93
D971,474 S *	11/2022	Sun	D26/63
D974,640 S *	1/2023	Tian	D26/93
D974,641 S *	1/2023	Xu	D26/93

(Continued)

OTHER PUBLICATIONS

Full Spectrum Plant Grow Light. By MistyJungle. Dated Oct. 12, 2022. Found online [Feb. 9, 2023]. <https://www.amazon.com/Spectrum-Adjustable-Automatic-Dimmable-Brightness/dp/BOBHYYQQVSP> (Year: 2022).*

(Continued)

Primary Examiner — Mark A Goodwin
Assistant Examiner — William B Melliar

(57) **CLAIM**

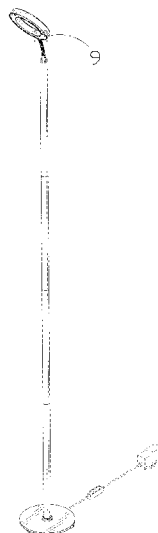
The ornamental design for a plant grow light, as shown and described.

DESCRIPTION

FIG. 1 is a front and top perspective view of a plant grow light, showing my new design;
FIG. 2 is a rear and bottom perspective view thereof;
FIG. 3 is a front elevation view thereof;
FIG. 4 is a rear elevation view thereof;
FIG. 5 is a left side elevation view thereof;
FIG. 6 is a right side elevation view thereof;
FIG. 7 is a top plan view thereof;
FIG. 8 is a bottom plan view thereof;
FIG. 9 is an enlarged perspective view of detail “9” identified in FIG. 1; and,
FIG. 10 is an enlarged perspective view of detail “10” identified in FIG. 3.

The dashed lines in the figures illustrate portions of the plant grow light that form no part of the claimed design. The dash dot dash lines in FIGS. 1, 3, 9 and 10 are for the purpose of illustrating the enlarged views indicators and form no part of the claimed design.

1 Claim, 10 Drawing Sheets



(56)

References Cited

U.S. PATENT DOCUMENTS

D979,124 S * 2/2023 Mai D26/108
D984,031 S * 4/2023 Wang D26/106

OTHER PUBLICATIONS

Geciliaoran Grow Lights for Indoor Plants. By Geciliaoran. Dated Nov. 19, 2022. Found online [Feb. 9, 2023]. <https://www.amazon.com/Geciliaoran-Spectrum-Adjustable-Dimmable-Brightness/dp/B0BMXK6S9L> (Year: 2022).*

XMCOSY Floor Lamp. By XMCORY Smart Lighting. Dated Jan. 22, 2022. Found online [Feb. 9, 2023]. <https://www.amazon.com/XMCOSY-Standing-Double-Side-Lighting-2700K-6400K/dp/B09QYFWJ61> (Year: 2022).*

Sovela LED Floor Lamp. By Sovela LED. Dated Apr. 25, 2022. Found online [Feb. 9, 2023]. <https://www.amazon.com/SOVELA-Standing-1800K-6000K-Brightness-Adjustable/dp/B09YRH6F6V> (Year: 2022).*

* cited by examiner

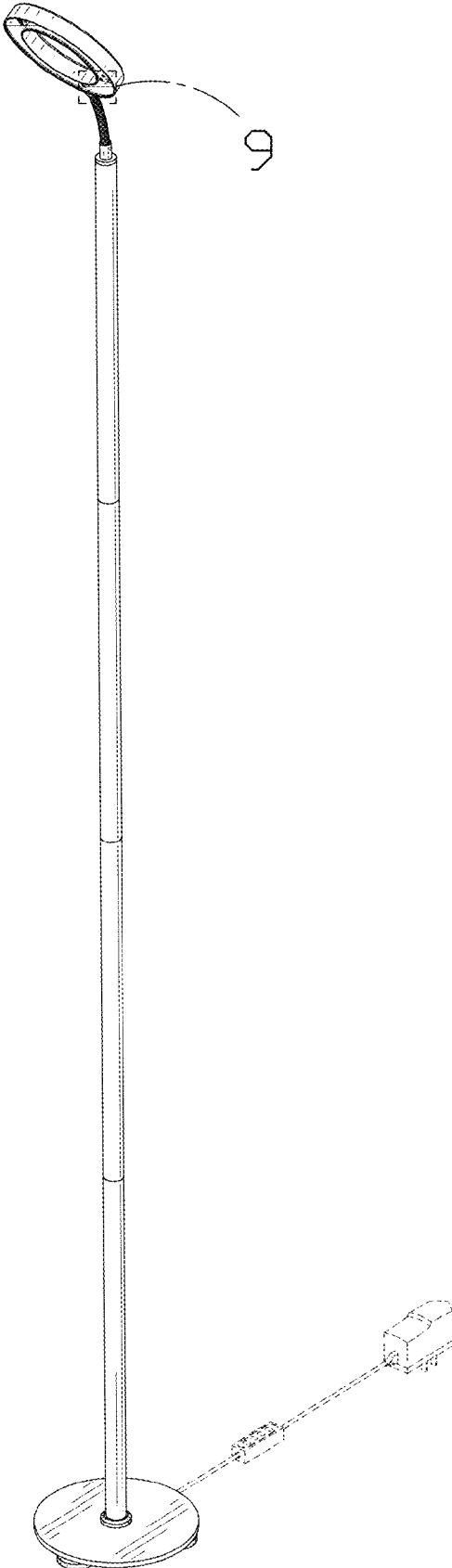


FIG. 1

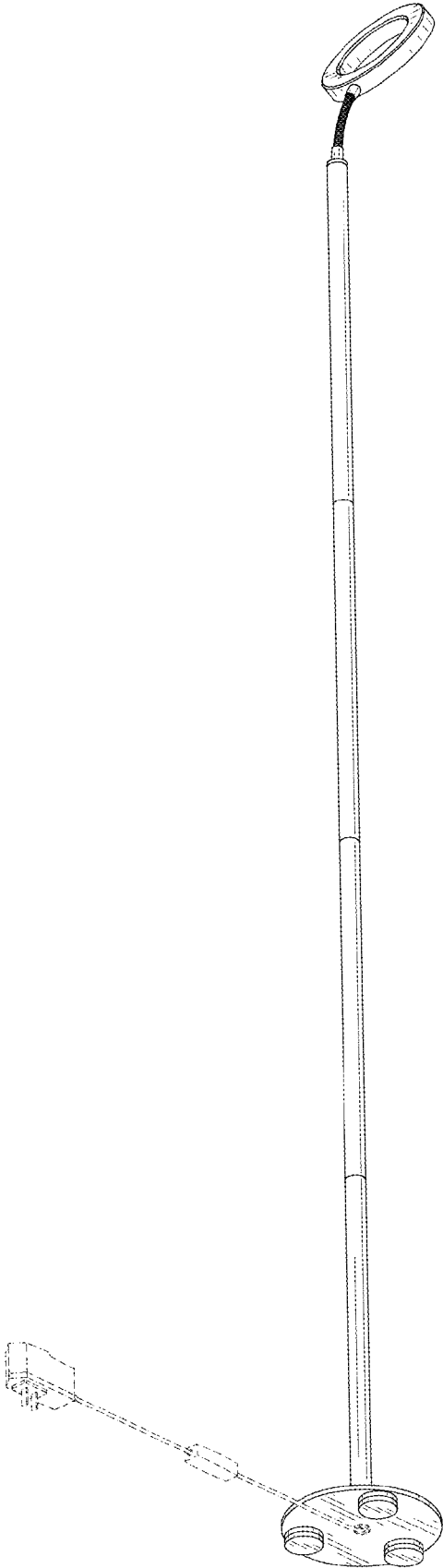


FIG. 2

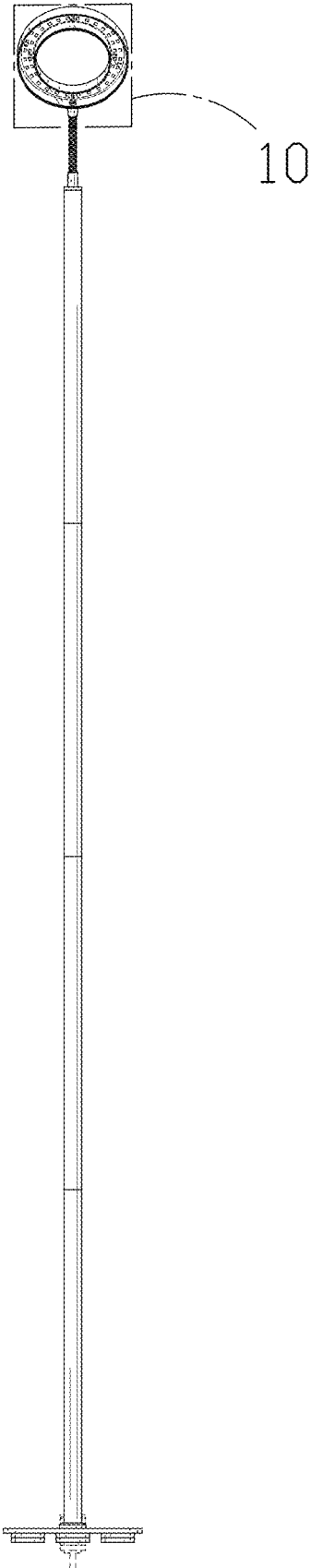


FIG. 3

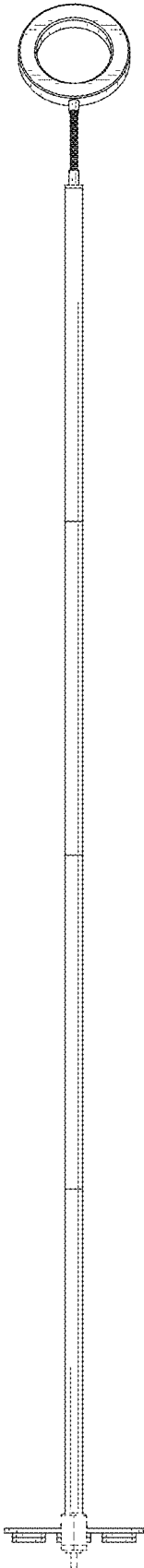


FIG. 4

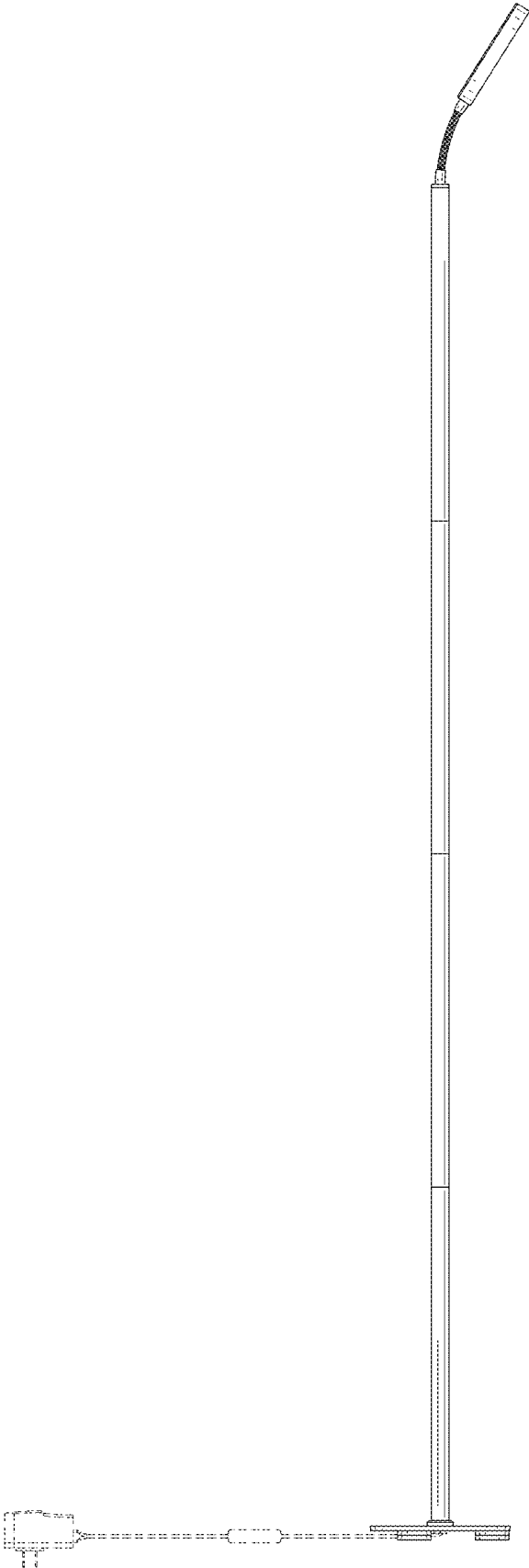


FIG. 5

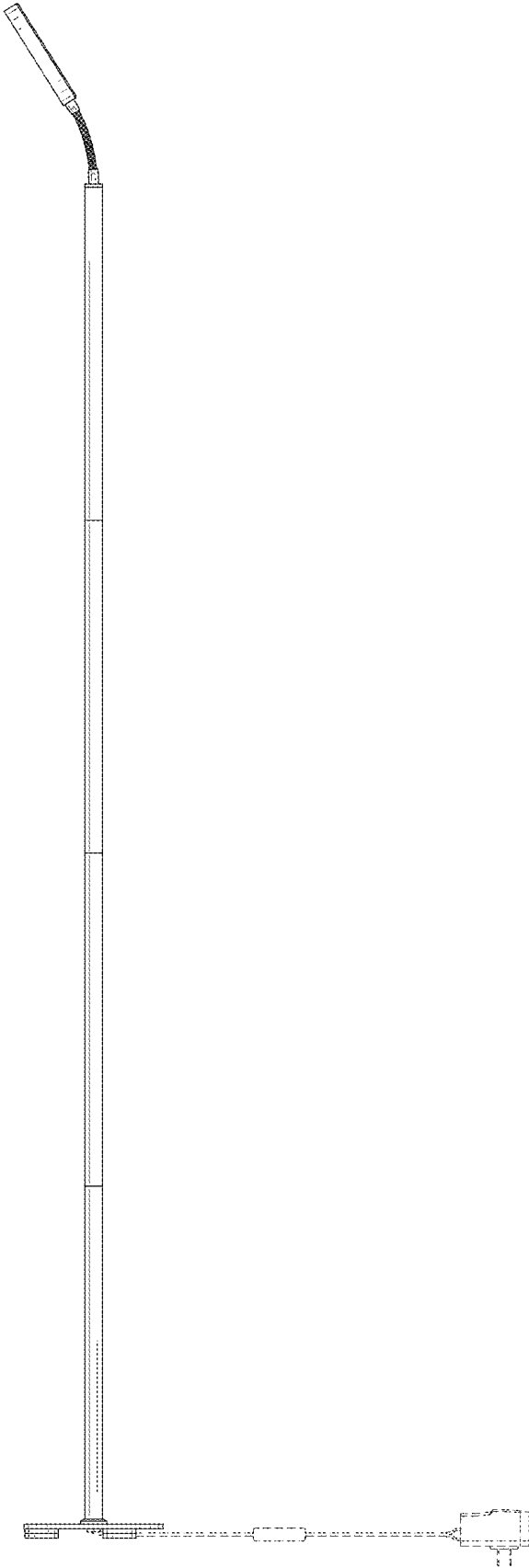


FIG. 6

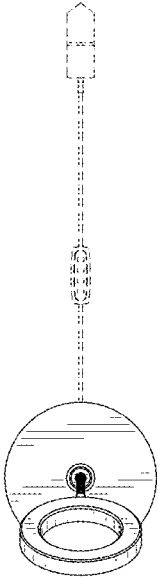


FIG. 7

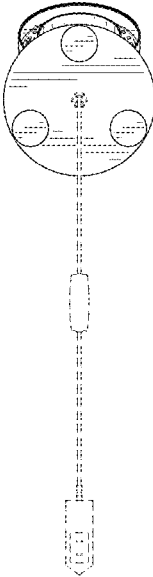


FIG. 8

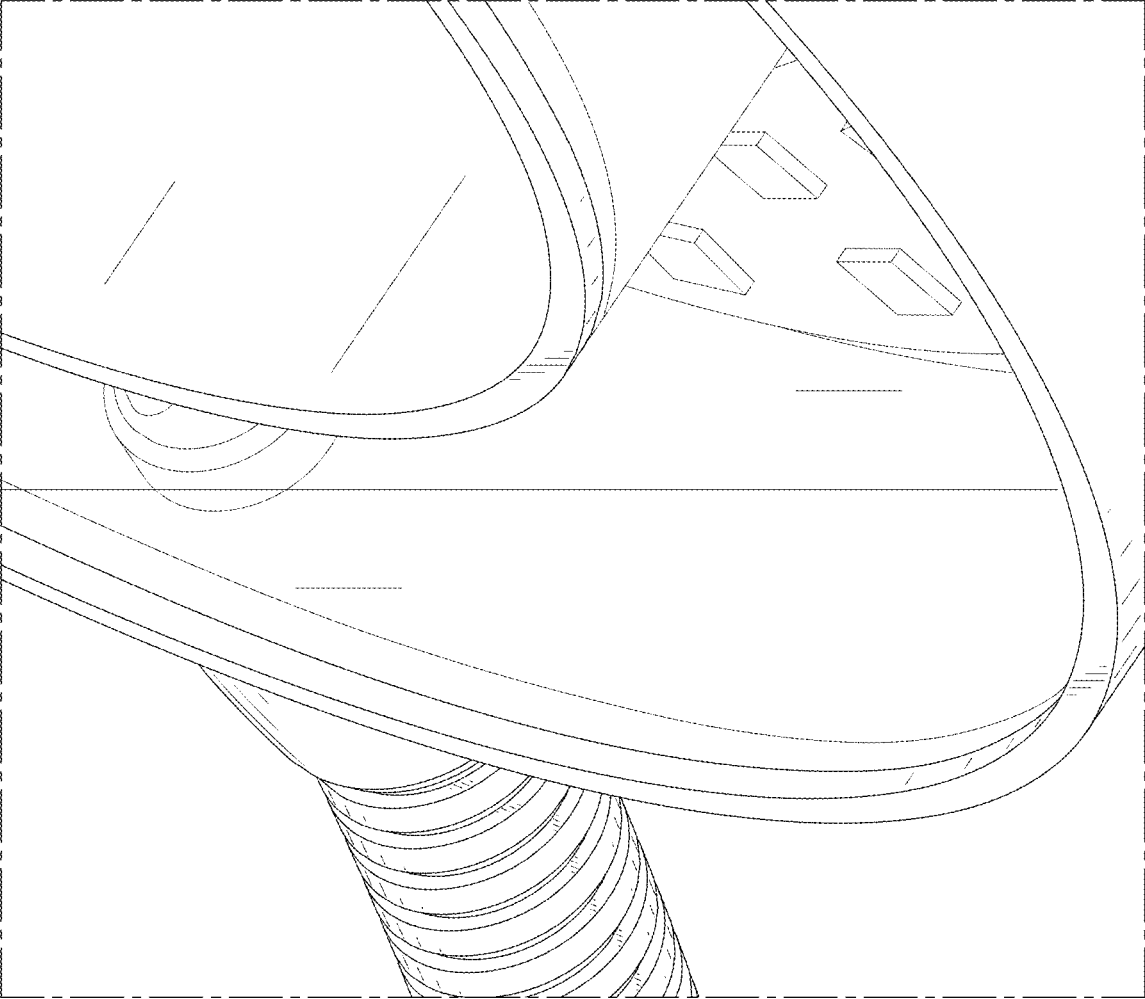


FIG. 9

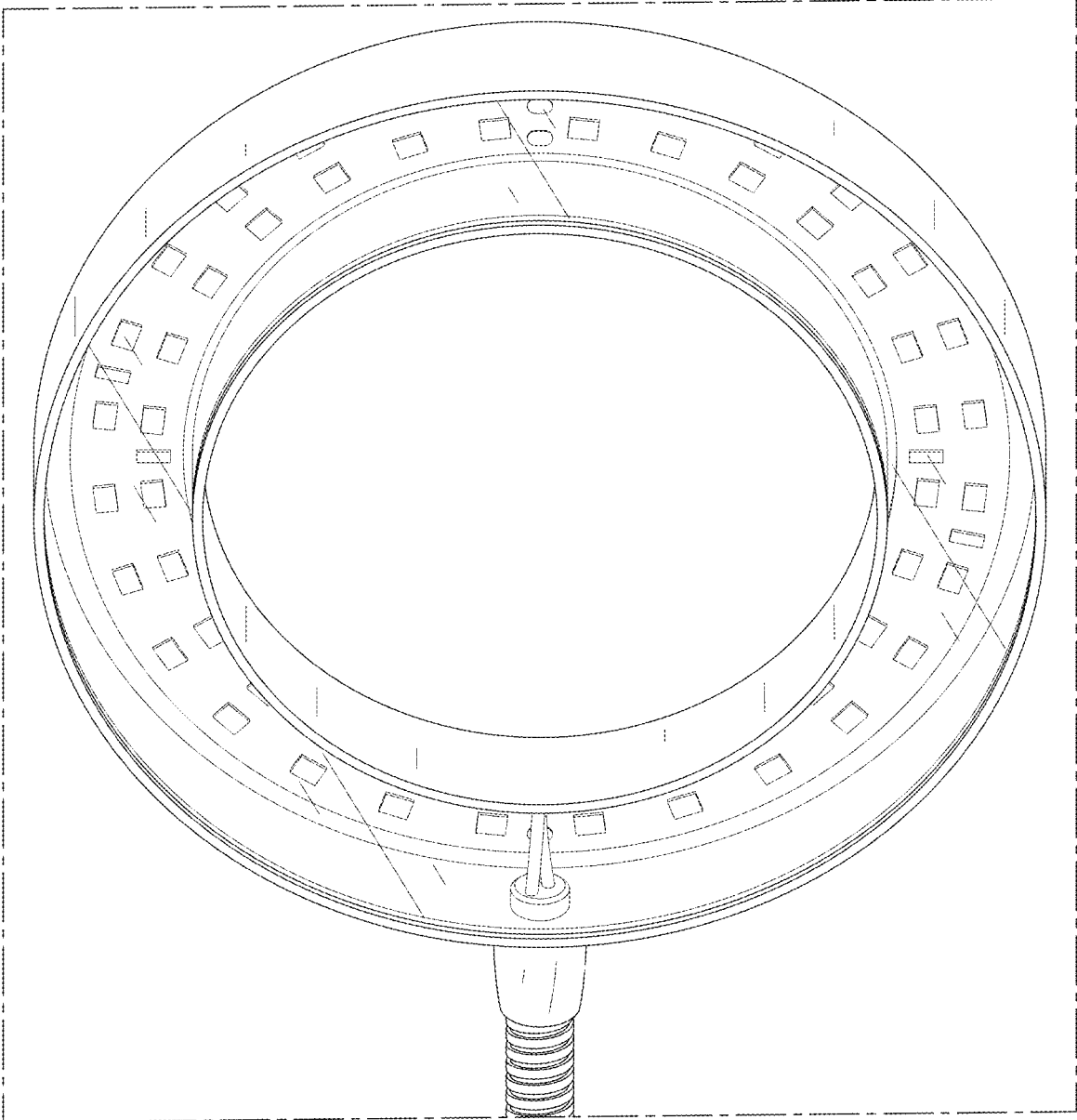


FIG. 10