



US0D1024242S

(12) **United States Design Patent**  
**Ballatan**

(10) **Patent No.:** **US D1,024,242 S**

(45) **Date of Patent:** **\*\* Apr. 23, 2024**

(54) **GOLF TEE**  
(71) Applicant: **Andrew Ballatan**, Tacoma, WA (US)  
(72) Inventor: **Andrew Ballatan**, Tacoma, WA (US)  
(\*\*) Term: **15 Years**

4,328,969 A \* 5/1982 Wright ..... A63B 57/10  
473/390  
D268,438 S \* 3/1983 Morford ..... D21/718  
D306,627 S \* 3/1990 Fox ..... D21/718  
5,193,803 A \* 3/1993 Flick, III ..... A63B 57/10  
473/392  
5,683,313 A \* 11/1997 Disco ..... A63B 57/19  
473/387

(21) Appl. No.: **29/923,690**

(Continued)

(22) Filed: **Dec. 30, 2023**

FOREIGN PATENT DOCUMENTS

(51) **LOC (14) Cl.** ..... **21-02**  
(52) **U.S. Cl.**  
USPC ..... **D21/717**

JP D1602526 \* 4/2018  
KR 300959438.0000 \* 6/2018  
KR 301194719.0000 \* 12/2022

(58) **Field of Classification Search**  
USPC ..... D21/715-718  
CPC ..... A63B 57/10; A63B 57/13; A63B 57/15;  
A63B 57/0037; A63B 57/203; A63B  
57/00

OTHER PUBLICATIONS

Golf tee google search; google.com; Feb. 14, 2024.\*

See application file for complete search history.

(Continued)

*Primary Examiner* — Mitchell I. Siegel

(56) **References Cited**

(57) **CLAIM**

U.S. PATENT DOCUMENTS

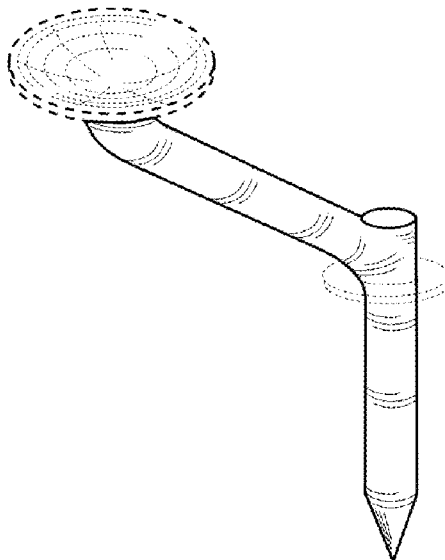
The ornamental design for a golf tee, as shown and described.

- 1,595,130 A \* 8/1926 Wilcox ..... A63B 57/10  
473/392
- 1,783,733 A \* 12/1930 Manassero ..... A63B 57/13  
473/396
- 1,800,647 A \* 4/1931 Krafft ..... A63B 57/13  
473/395
- 2,107,706 A \* 2/1938 Morgan ..... A63B 57/10  
473/390
- 2,155,803 A \* 4/1939 Rider ..... A63B 57/10  
473/395
- 2,469,928 A \* 5/1949 Mursch ..... A63B 57/10  
D21/717
- 3,424,457 A \* 1/1969 Robertson ..... A63B 57/10  
473/392
- D230,168 S \* 1/1974 Redmon ..... 473/402
- 3,907,289 A \* 9/1975 Bondu, Sr. .... A63B 57/10  
473/403
- 4,192,504 A \* 3/1980 Clugage ..... A63B 57/10  
473/403

**DESCRIPTION**

FIG. 1 is a perspective view of a golf tee in accordance with my new design;  
FIG. 2 is a left side view of golf tee as shown in FIG. 1;  
FIG. 3 is a right side view of golf tee as shown in FIG. 1;  
FIG. 4 is a top view of golf tee as shown in FIG. 1;  
FIG. 5 is a bottom view of golf tee as shown in FIG. 1;  
FIG. 6 is a front view of golf tee as shown in FIG. 1; and,  
FIG. 7 is a back view of golf tee as shown in FIG. 1.  
The broken lines in the figures depict portions of the golf tee in which the design is embodied that forms no part of the claimed design.

**1 Claim, 2 Drawing Sheets**



(56)

References Cited

U.S. PATENT DOCUMENTS

6,004,228 A \* 12/1999 Adam ..... A63B 57/19  
 473/403  
 6,176,794 B1 \* 1/2001 Kim ..... A63B 57/10  
 473/392  
 D443,007 S \* 5/2001 Schneider ..... D21/717  
 D511,193 S 11/2005 Trawogger  
 D516,146 S 2/2006 Iacono et al.  
 D516,648 S 3/2006 Lee et al.  
 7,066,844 B1 6/2006 Noggle  
 D524,885 S 7/2006 Solari  
 D526,371 S \* 8/2006 Bayfield ..... D21/718  
 D533,241 S 12/2006 Calhoon et al.  
 D586,411 S 2/2009 Iacono  
 D592,713 S 5/2009 Schneider  
 D597,156 S 7/2009 Chudy  
 D602,543 S 10/2009 Simazaki  
 D603,005 S 10/2009 Steinhobel  
 D604,375 S 11/2009 Steinhobel  
 D605,713 S 12/2009 Chudy  
 D607,068 S 12/2009 Jones et al.  
 D610,640 S 2/2010 Steinhobel  
 D621,456 S 8/2010 Cathro  
 D675,269 S 1/2013 Cardarelli  
 D675,689 S 2/2013 Cardarelli  
 D695,861 S 12/2013 MacKeen  
 D696,365 S 12/2013 Lee et al.  
 D697,989 S 1/2014 DeLisle et al.  
 D715,877 S 10/2014 Carroll et al.  
 D725,727 S 3/2015 Maldonado  
 D729,328 S 5/2015 Romley  
 D741,424 S 10/2015 Dastrup  
 9,180,351 B2 \* 11/2015 Reams ..... A63B 57/30  
 9,220,961 B1 12/2015 Kim  
 9,302,163 B1 4/2016 Maldonado  
 D759,770 S 6/2016 Regan et al.  
 D773,571 S 12/2016 Bynum, III  
 D774,606 S 12/2016 Carroll et al.  
 D776,213 S 1/2017 Breton  
 D776,214 S 1/2017 Breton  
 D782,587 S 3/2017 Carroll, Jr. et al.  
 D789,488 S 6/2017 McMahan, II  
 9,833,672 B1 \* 12/2017 Montejo ..... A63B 57/203  
 10,035,056 B1 7/2018 Fernández Ogando  
 D848,560 S 5/2019 Beard  
 D848,561 S 5/2019 Reid et al.  
 D851,716 S \* 6/2019 Pretorius ..... D21/718  
 D852,297 S 6/2019 Hsu  
 D857,134 S 8/2019 Iacono

D861,089 S 9/2019 Iacono  
 D864,323 S 10/2019 Ogando  
 D878,560 S 2/2020 Jones et al.  
 D877,828 S 3/2020 Gauvin  
 D885,500 S 5/2020 Chudy  
 D916,991 S 4/2021 Buckley  
 D923,728 S 6/2021 Yoon  
 D936,164 S \* 11/2021 Engler ..... D21/718  
 D936,767 S 11/2021 Wang  
 D940,800 S 1/2022 Wang  
 11,376,480 B1 7/2022 Palairet  
 RE49,177 E 8/2022 Chudy  
 D994,058 S \* 8/2023 Ballatan ..... D21/717  
 D997,272 S 8/2023 Murphy  
 D1,005,424 S 11/2023 Chu  
 D1,006,928 S 12/2023 Rice  
 D1,009,193 S 12/2023 Iacono  
 2006/0258483 A1 11/2006 Hannah et al.  
 2006/0276268 A1 12/2006 Hung  
 2007/0004538 A1 1/2007 Lim  
 2007/0021240 A1 \* 1/2007 Medved ..... A63B 57/10  
 473/392  
 2007/0066422 A1 \* 3/2007 Cirone ..... A63B 57/10  
 473/387  
 2009/0118041 A1 5/2009 Manson  
 2009/0191983 A1 7/2009 Otsubo  
 2009/0264224 A1 10/2009 Whitehouse  
 2009/0264225 A1 10/2009 Lee  
 2009/0275427 A1 11/2009 Rhee  
 2010/0160088 A1 \* 6/2010 Tan ..... A63B 57/10  
 473/390  
 2010/0173729 A1 7/2010 Toyosawa  
 2010/0179003 A1 7/2010 Steinhobel  
 2010/0216576 A1 8/2010 Sanders  
 2013/0190108 A1 7/2013 Klein  
 2014/0057740 A1 2/2014 Liao et al.  
 2014/0128180 A1 5/2014 Imai  
 2014/0329619 A1 11/2014 Chang  
 2015/0321067 A1 11/2015 Hsu  
 2016/0166898 A1 6/2016 Dastrup  
 2018/0207495 A1 \* 7/2018 Durham ..... A63B 57/10  
 2022/0331672 A1 10/2022 Palairet  
 2023/0256307 A1 8/2023 Lawlor

OTHER PUBLICATIONS

Angled golf tee google search; google.com; Feb. 14, 2024.\*  
 Offset golf tee google search; google.com; Feb. 14, 2024.\*  
 amazon.com; : Pride Professional Tee System; Apr. 12, 2009.\*  
 golfmagic.com; Offset Tees: Shortcut To Distance; Jan. 29, 2009.\*

\* cited by examiner

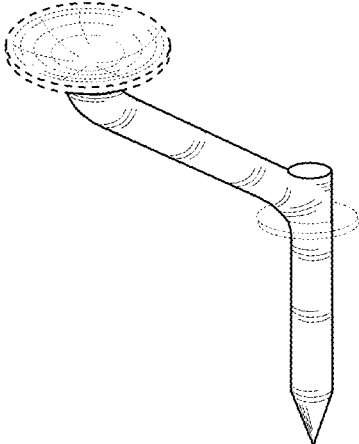


FIG. 1

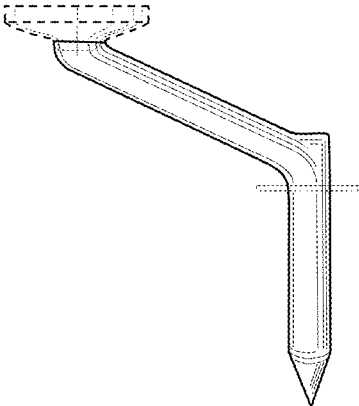


FIG. 2

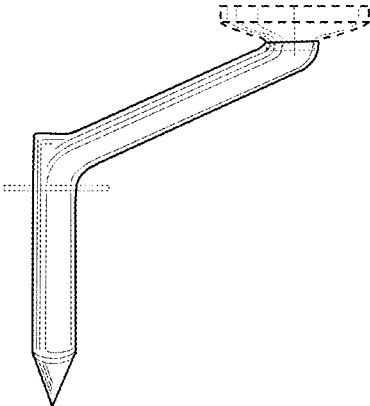


FIG. 3

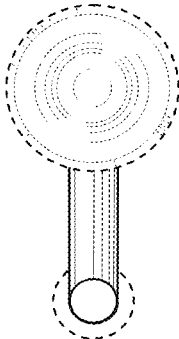


FIG. 4

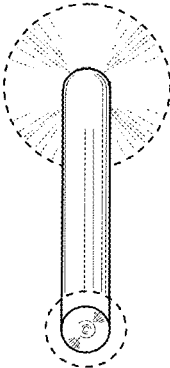


FIG. 5

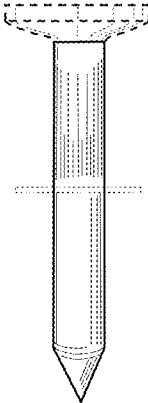


FIG. 6

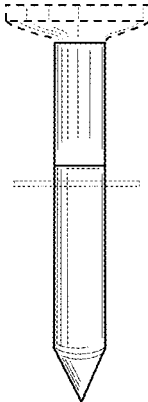


FIG. 7