



US 20230247345A1

(19) **United States**

(12) **Patent Application Publication**
Cochran et al.

(10) **Pub. No.: US 2023/0247345 A1**

(43) **Pub. Date: Aug. 3, 2023**

(54) **HEADSET WITH MAJOR AND MINOR ADJUSTMENTS**

Publication Classification

(71) Applicant: **Voyetra Turtle Beach, Inc.**, White Plains, NY (US)

(51) **Int. Cl.**
H04R 1/10 (2006.01)

(72) Inventors: **Scot Robert Cochran**, San Diego, CA (US); **Tim Wiley**, San Diego, CA (US); **Andy Logan**, Newbury Park, CA (US)

(52) **U.S. Cl.**
CPC **H04R 1/1091** (2013.01); **H04R 1/1066** (2013.01); **H04R 1/1008** (2013.01); **H04R 5/0335** (2013.01)

(21) Appl. No.: **18/134,324**

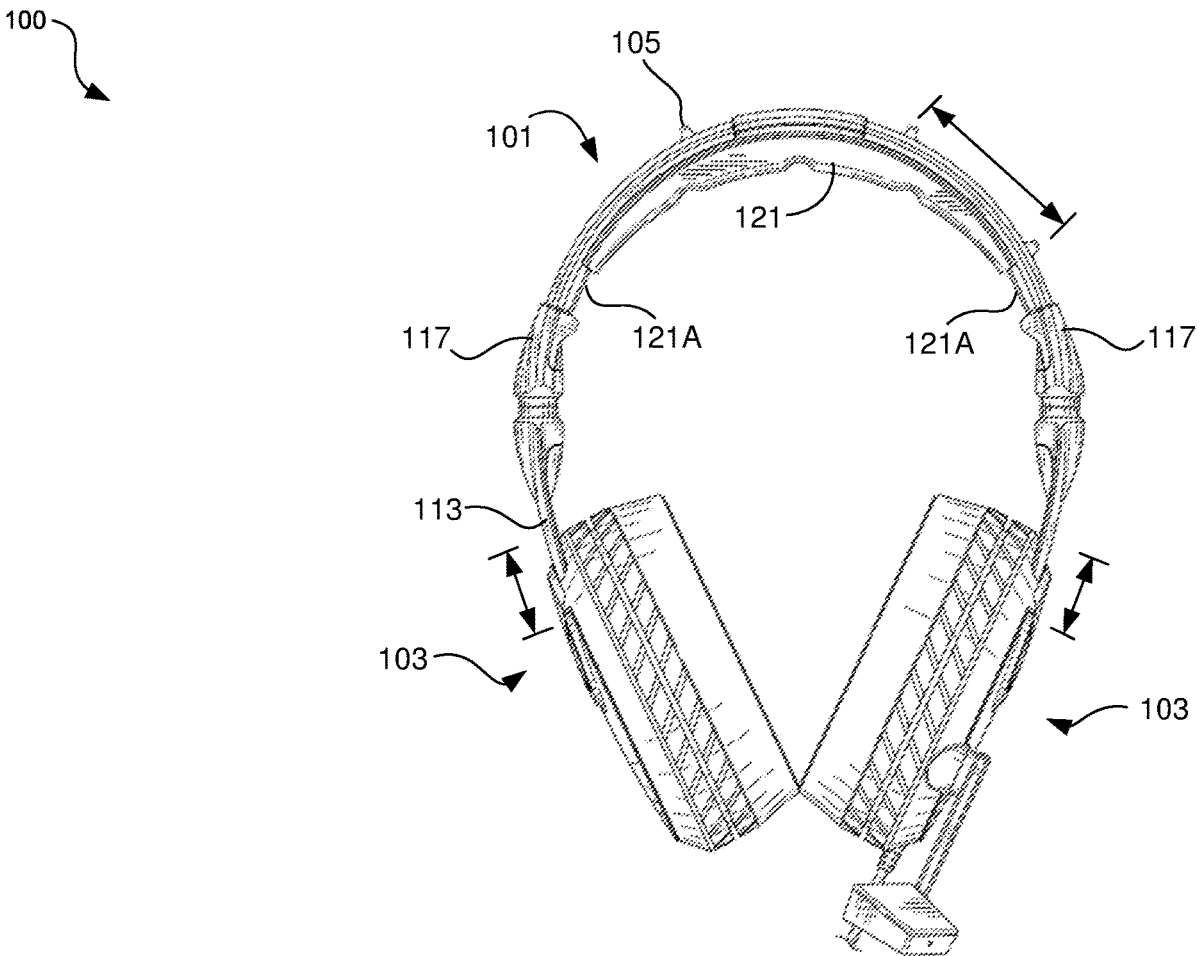
(57) **ABSTRACT**

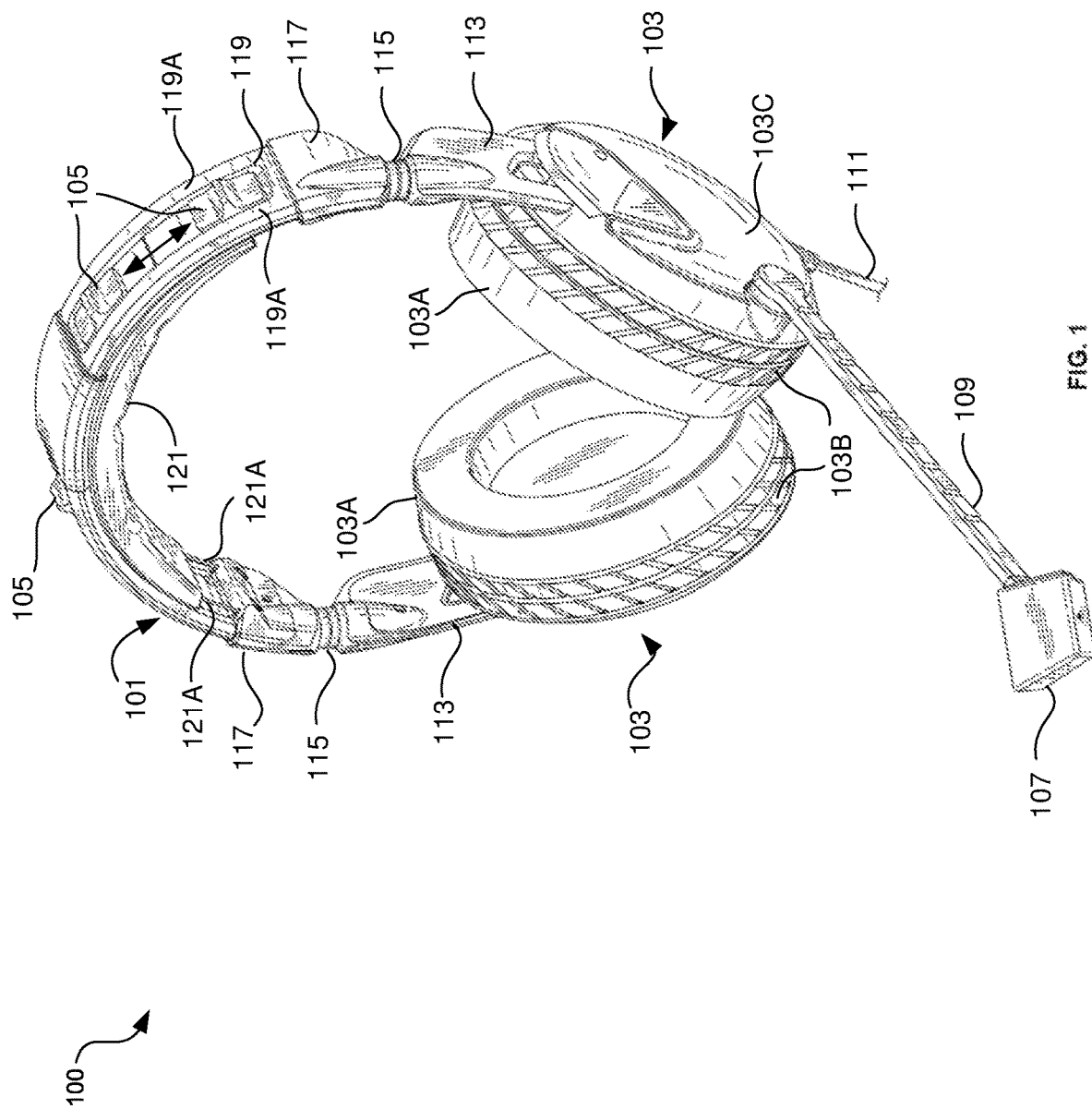
(22) Filed: **Apr. 13, 2023**

A method and system for a headset with major and minor adjustments, where the headset comprises a headband, a headband endcap at each end of the headband, a headband slide coupled to each headband endcap, and ear cups operatively coupled to the headband slides. A major adjustment of the headset may include actuating a headband slide in a vertical direction. The ear cups may be operatively coupled to the headband slides utilizing ball detents that may hold the position of the ear cups with respect to the headband slides. The ball detents may comprise a portion of a ball on the headband slide and holes in the ear cup or may comprise a portion of a ball in the ear cup and holes in the headband slide. Each headband slide may be coupled to a headband endcap via a headband pivot.

Related U.S. Application Data

(63) Continuation of application No. 17/726,632, filed on Apr. 22, 2022, now Pat. No. 11,665,465, which is a continuation of application No. 17/127,446, filed on Dec. 18, 2020, now Pat. No. 11,350,206, which is a continuation of application No. 16/900,536, filed on Jun. 12, 2020, now Pat. No. 10,880,634, which is a continuation of application No. 16/280,908, filed on Feb. 20, 2019, now Pat. No. 10,701,474, which is a continuation of application No. 14/801,232, filed on Jul. 16, 2015, now Pat. No. 10,219,068.





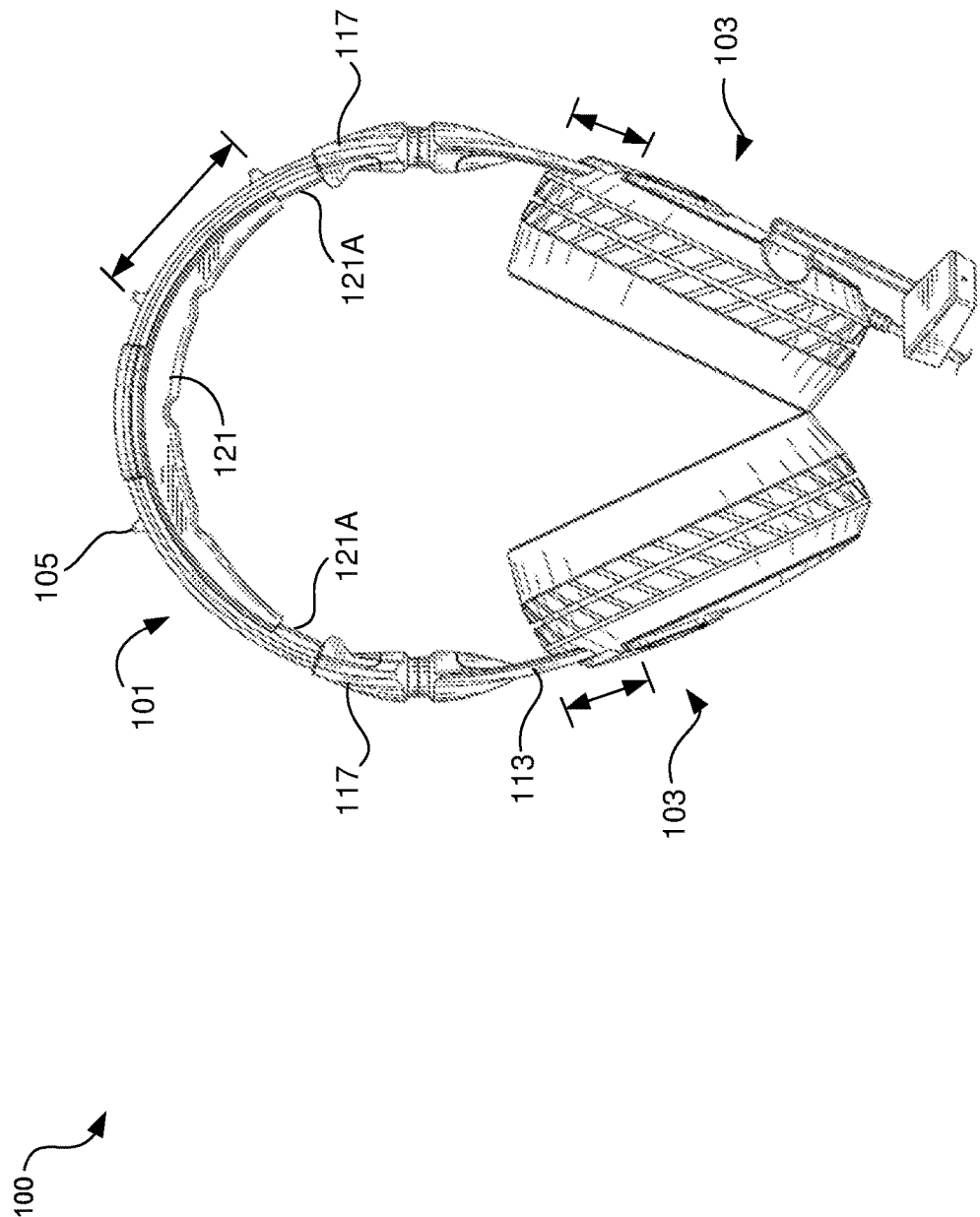


FIG. 2

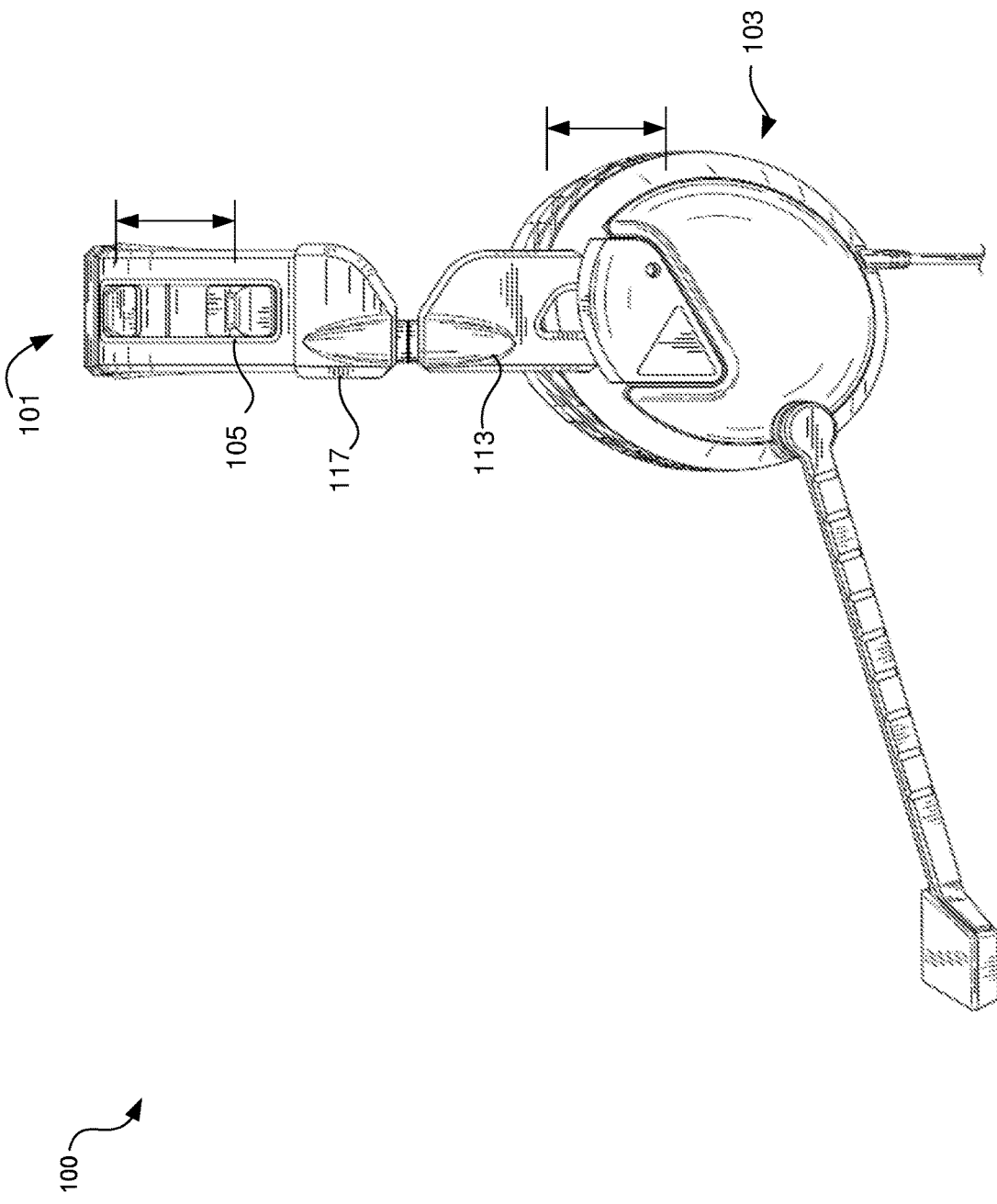


FIG. 3

FIG. 4B

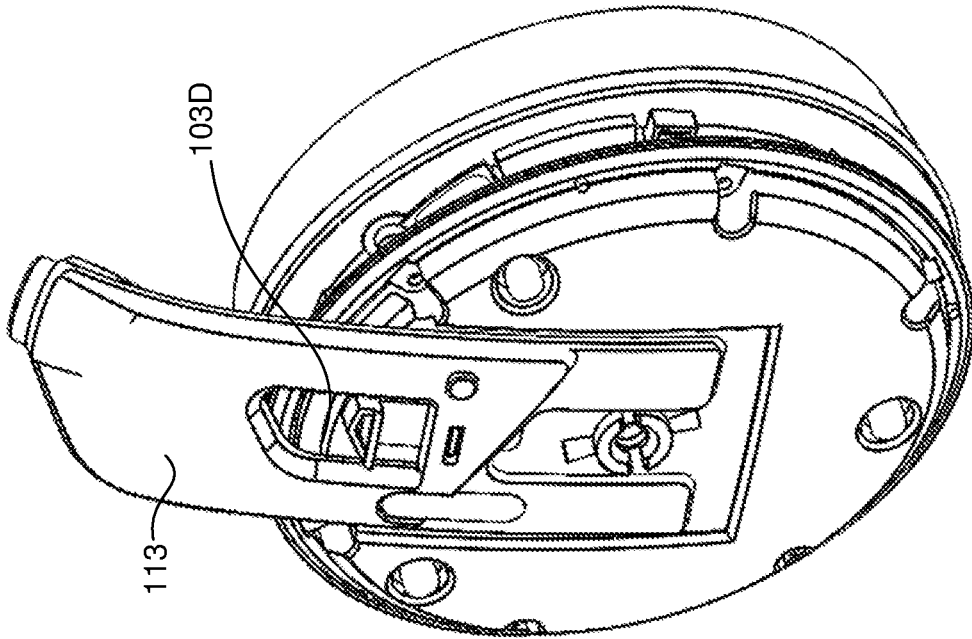


FIG. 4A

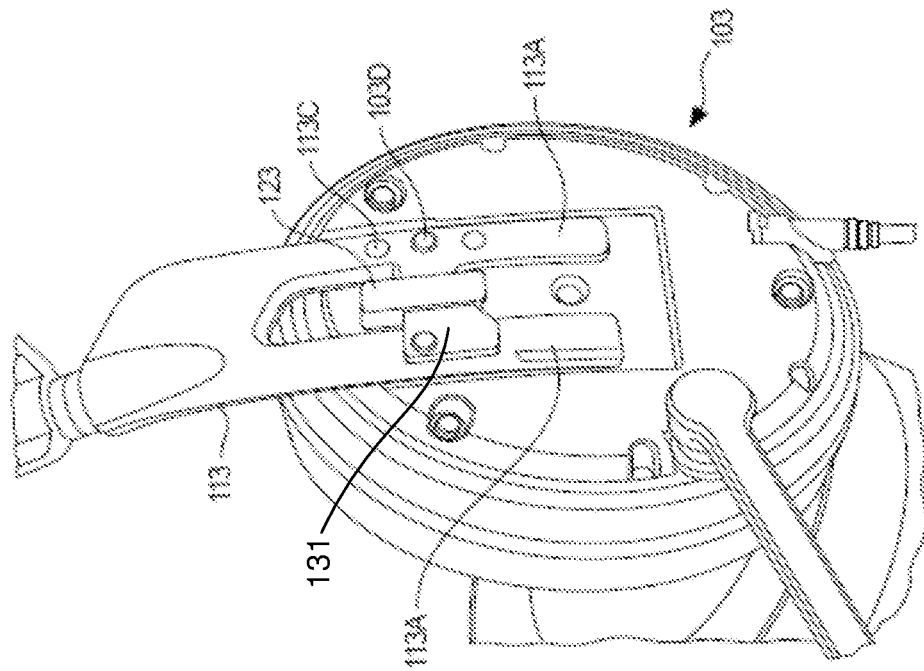


FIG. 4A-4B

FIG. 5B

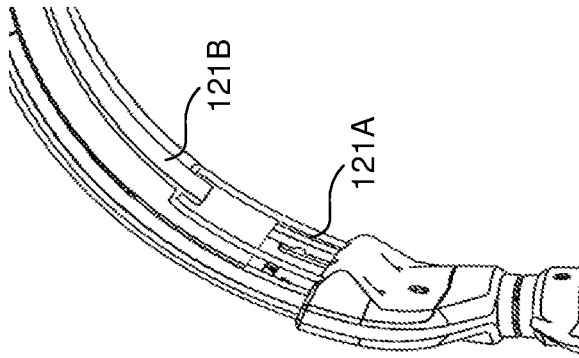


FIG. 5A

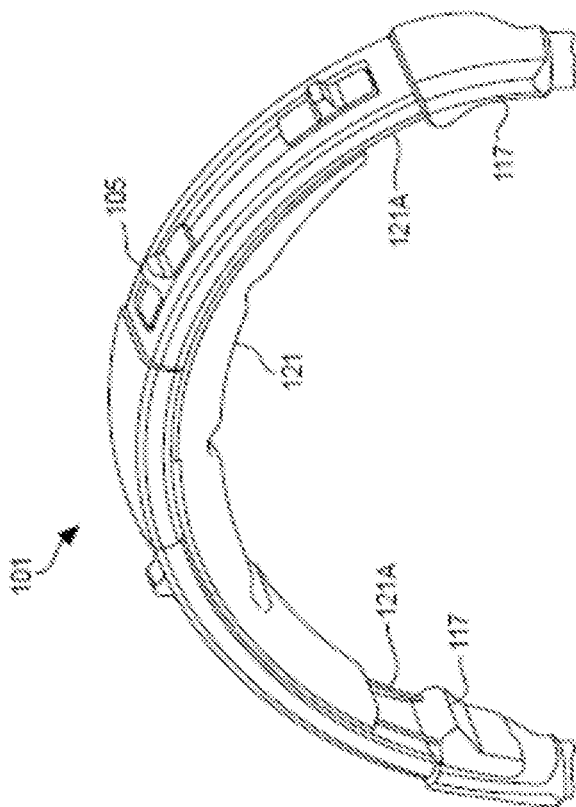


FIG. 5C

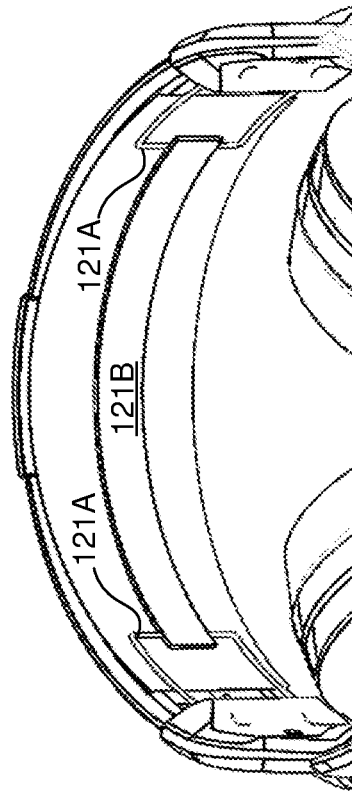


FIG. 5A-5C

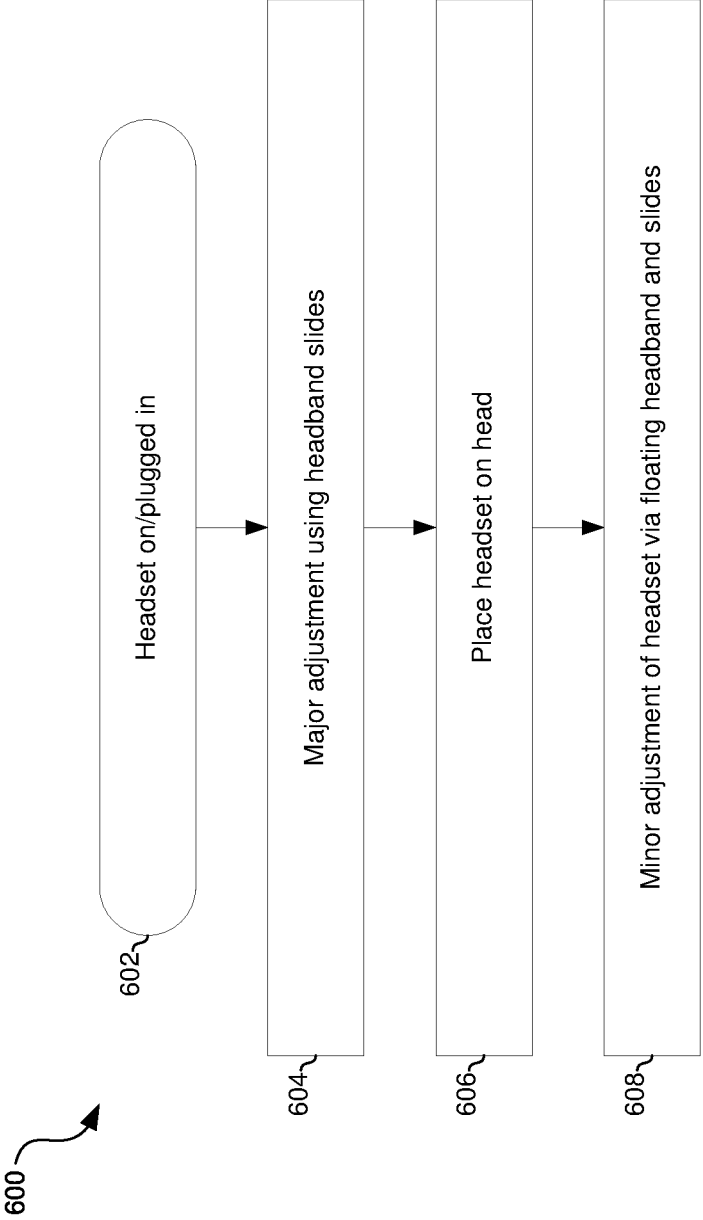


FIG. 6

HEADSET WITH MAJOR AND MINOR ADJUSTMENTS

CLAIM OF PRIORITY

[0001] This application is a continuation of application Ser. No. 16/900,536 filed on Jun. 12, 2020, now U.S. Pat. No. 10,880,634, which is a continuation of application Ser. No. 16/280,908 filed on Feb. 20, 2019, now U.S. Pat. No. 10,701,474, which is a continuation of application Ser. No. 14/801,232 filed on Jul. 16, 2015, now U.S. Pat. No. 10,219,068.

INCORPORATION BY REFERENCE

[0002] Each of the above stated applications is hereby incorporated by reference in its entirety.

TECHNICAL FIELD

[0003] Aspects of the present application relate to audio headsets, and more specifically, to methods and systems for a headset with major and minor adjustments.

BACKGROUND

[0004] Limitations and disadvantages of conventional approaches to adjustable headsets will become apparent to one of skill in the art, through comparison of such approaches with some aspects of the present method and system set forth in the remainder of this disclosure with reference to the drawings.

BRIEF SUMMARY

[0005] Methods and systems are provided for a headset with major and minor adjustments, substantially as illustrated by and/or described in connection with at least one of the figures, as set forth more completely in the claims.

BRIEF DESCRIPTION OF THE DRAWINGS

[0006] FIG. 1 depicts an oblique view of an example headset, in accordance with an embodiment of the disclosure.

[0007] FIG. 2 illustrates a front view of a headset with major and minor adjustments, in accordance with an example embodiment of the disclosure.

[0008] FIG. 3 is a side view of a headset with major and minor adjustments, in accordance with an example embodiment of the disclosure.

[0009] FIGS. 4A and 4B illustrate close-up views of an ear cup and headband slide for a headset major adjustment, in accordance with an example embodiment of the disclosure.

[0010] FIGS. 5A-5C illustrate close up views of the headband providing headset minor adjustment, in accordance with an example embodiment of the disclosure.

[0011] FIG. 6 is a flowchart illustrating an example process for headset major and minor adjustment.

DETAILED DESCRIPTION

[0012] Certain aspects of the disclosure may be found in a headset with major and minor adjustments. Example aspects of the disclosure may include, in a headset comprising a headband, a headband endcap at each end of the headband, a headband slide coupled to each headband endcap, ear cups operatively coupled to the headband slides,

and a floating headband coupled to the headband endcaps: configuring a major adjustment of the headset by actuating at least one headband slide in a vertical direction. The ear cups may be operatively coupled to the headband slides utilizing ball detents. The ball detents hold the position of the ear cups with respect to the headband slides. The ball detents may comprise a portion of a ball on the headband slide and holes in the ear cup or may comprise a portion of a ball in the ear cup and holes in the headband slide. Each headband slide may be coupled to a headband endcap via a headband pivot. The headband pivot may provide rotational motion of the ear cups with respect to the headband. The floating headband may provide a minor adjustment of the headset. The floating headband may comprise a flexible band with wire segments that extend from the headband endcaps into the floating headband and back down to the headband endcaps.

[0013] As utilized herein, “and/or” means any one or more of the items in the list joined by “and/or”. As an example, “x and/or y” means any element of the three-element set $\{(x), (y), (x, y)\}$. In other words, “x and/or y” means “one or both of x and y”. As another example, “x, y, and/or z” means any element of the seven-element set $\{(x), (y), (z), (x, y), (x, z), (y, z), (x, y, z)\}$. In other words, “x, y and/or z” means “one or more of x, y and z”. As utilized herein, the term “exemplary” means serving as a non-limiting example, instance, or illustration. As utilized herein, the terms “e.g.,” and “for example” set off lists of one or more non-limiting examples, instances, or illustrations.

[0014] FIG. 1 depicts an oblique view of an example headset, in accordance with an embodiment of the disclosure. Referring to FIG. 1, there is shown a headset 100 with headband 101 and ear cups 103. There are also shown a microphone 107, a microphone boom arm 109, a line-in cable 111, headband slides 113, headband pivots 115, headband endcaps 117, an upper headband 119, and a floating headband 121. The headset 100 may be utilized for gaming, phone, or audio playback purposes, for example. In an example scenario, the headset 100 comprises a powered headset. In another example scenario, the headset 100 comprises a passive headset.

[0015] The headband pivots 115 couple the headband slides 113 to the headband endcaps 117, and provide rotational control for the ear cups 103. The ear cups 103 may comprise ear pads 103A, a gimbal gasket 103B, and outer shell 103C.

[0016] The microphone 107 provides electrical signals proportional to sound waves detected and may comprise a directional microphone for picking up audio signals from the user while sensing reduced background noise or sound from other sources, for example. The boom arm 109 provides a rigid support for the microphone 107, enabling an optimal position in front of the user for sensing sound from the user.

[0017] The upper headband 119 may be coupled to the headband endcaps 117, and slider knobs 105 may be incorporated in the upper headband 119 for adjusting the rigidity of the upper headband 119. In an example scenario, in the region where the slider knobs 105 are integrated, the upper headband comprises two strips 119A of support structure, e.g., metal or rigid plastic, between which the slider knobs 105 may be actuated. The two slider knobs 105 shown between the strips 119A on the right side of the upper headband 119 merely indicate the full range of the slider knobs 105 may travel. The slider knobs 105 may be coupled

to a metal or rigid plastic strip above the slider knobs **105** in the upper headband **119**. By sliding the slider knobs **105** downward towards the headband endcaps **117**, the rigid strip may increase the rigidity of the upper headband **119**, thereby increasing force of the ear cups **103** against the ears of the user.

[0018] The ear cups **103** may be coupled to the headband **101** via headband slides **113** and to headband endcaps **117** via headband pivots **115**. The headband slides may comprise metal or rigid plastic and may comprise a fork structure, where the two tines extend into the ear cups **103** and may have hemispherical ball features thereon that may be slid into detent features in the ear cup **103**, thereby providing discrete headset size settings that are held in place utilizing a ball detent structure. This vertical adjustment of the headband slides **113** may comprise a major adjustment of the headset **100**. The major adjustment changes the size of the headset **100** as well as the force on the ear.

[0019] The force on the ear is adjusted due to the shape and rigidity of the headband **101** and associated parts, such as the headband slides **113**. Extending the length of the arms of the headset by pulling the headband slides out of the ear cups **103** may increase the force on the user's ears, as this decreases the distance between the ear cups **103** when not placed on a head, so that more force is needed to expand the headset **100** over the user's head. In contrast, the force on the ear may be decreased by reducing the length of the arms of the headset by pushing the headband slides **113** into the ear cups **103**.

[0020] Minor adjustment of the headset **100** is enabled by the floating headband **121**, which may comprise a flexible band with wire segments **121A** that extend from the headband endcaps **117** into the floating headband **121** and back down to the headband endcaps **117**. The flexibility in the floating headband **121** therefore provides a minor adjustment of the headset **100**.

[0021] FIG. 2 illustrates a front view of a headset with major and minor adjustments, in accordance with an example embodiment of the disclosure. Referring to FIG. 2, there is shown the headset **100** with elements as described with respect to FIG. 1, for example. The arrow in the upper right shows the range of travel for the slider knob **105**.

[0022] The arrows adjacent to the ear cups **103** illustrate the major adjustment of the headset **100**, where the headband slides **113** may be adjusted in and out of the ear cups **103**, thereby the size of the headset **100**. The headband slides **113** may comprise ball features thereon that may temporarily lock into detent features in the ear cups **103** to hold the setting for the major adjustment.

[0023] The arrows above the headband **101** indicate the possible motion of the slider knob that may adjust the tension of the headset **100** by configuring the force of the ear cups **103** against the user's head.

[0024] In addition, the headband **101** comprises the floating headband **121** that is coupled to the headband endcaps **117** via the wire segments **121A**. The flexibility of the floating headband **121** in concert with the wire coupling provided by the wire segments **121A** enables a minor adjustment of the headset **100**.

[0025] FIG. 3 is a side view of a headset with major and minor adjustments, in accordance with an example embodiment of the disclosure. Referring to FIG. 3, there is shown a side view of the headset **100** with the headband **101** and ear cups **103**. As shown by the arrows by the headband **101** and

the ear cup **103**, and as described previously, the headset **100** may be adjusted in various ways. For example, the force on the ear may be adjusted by actuating the slider knob **105**.

[0026] The arrows adjacent to the headband **101** indicate the possible motion of the slider knob that may adjust the tension of the headset **100** by configuring the force of the ear cups **103** against the user's head.

[0027] A major adjustment of the headset **100** may be enabled by the fork-like structure of the headband slide **113**, which may move vertically into and out of the ear cup **103**. Similarly, the force on the ear is also adjusted due to the shape and rigidity of the headband **101** and associated parts, such as the headband slides **113**. Extending the length of the arms of the headset **100** by pulling the headband slides **113** out of the ear cups **103** may increase the force on the user's ears, as this decreases the distance between the ear cups **103** when not placed on a head, so that more force is needed to expand the headset **100** over the user's head. In contrast, the force on the ear may be decreased by reducing the length of the arms of the headset by pushing the headband slides **113** further into the ear cups **103**.

[0028] FIGS. 4A and 4B illustrate close-up views of an ear cup and headband slide for a headset major adjustment, in accordance with an example embodiment of the disclosure. Referring to FIG. 4A, there are shown an ear cup **103** and headband slide **113**, which are as described previously but shown slightly transparent to show details of the headband slide **113** within the ear cup **103**.

[0029] As can be seen, the headband slide **113** is also shown as slightly transparent to show ball and detent features in the headband slide and ear cup. There is also shown a guide **123** that may guide the headband slide **113** up and down. The guide **123** may comprise a metal or rigid plastic element for accepting a "cross-bar" element between the two tines of the headband slide **113**, thereby allowing vertical motion while confining the headband slide **113** in other directions.

[0030] The ball detent **103D** comprises a hemispherical shape formed of metal or plastic, for example, in the ear cup **103**, that may be engaged with holes **113C** in the headband slide **113** depending on the position of the headband slide **113** in the ear cup **103**. While only one ear cup **103** is shown in FIGS. 4A and 4B, the features shown may also be incorporated in the other ear cup (not shown). In an alternative scenario, the ball detent may instead be in the headband slide **113** and the hole features may be in the ear cup **113**.

[0031] FIG. 4B illustrates another side view of the headband slide **113** and ear cup **103**. As shown in FIG. 4B, the ball detent **103D** comprises a ball/hole feature formed in the headband slide **113** and the ear cup **103**.

[0032] In operation, a user of the headset may pull the headband slides **113** outward from the ear cups **103** to increase the size of the headband **101** or alternatively may push the headband slides **113** further into the ear cups **103** to reduce the size of the headband **101**. The ball detent **103D** may hold the configured position of the ear cup **103** and headband slide **113**. While the size of the headset **100** is configured, changing the position of the headband slides **113** also configures the force on the ear, as extending the ear cups downward places the ear cups **103** closer together.

[0033] FIGS. 5A-5C illustrate close up views of the headband providing headset minor adjustment, in accordance with an example embodiment of the disclosure. Referring to

FIG. 5A, there are shown the headband 101, headband endcaps 117, floating headband 121, and wire segments 121A. There is also shown slider knob 105 and its full range of travel illustrated by the two positions shown.

[0034] The headband 101 comprises the floating headband 121 that is coupled to the headband endcaps 117 via the wire segments 121A. The flexibility of the floating headband 121 in concert with the wire coupling provided by the wire segments 121A enables a minor adjustment of the headset 100, as the floating headband 121 flexes with force from the head of the user.

[0035] FIG. 5B illustrates an even closer view of the headband, with the outer surface of the floating headband 121 not shown, for clarity. As shown in FIG. 5B, the wire segments 121A may be coupled to an elastic band 121B, providing the minor headset adjustment due to the flexibility of the elastic band 121B, which is not visible with the outer surface of the floating headband 121.

[0036] FIG. 5C illustrates a view of the headband 101 from below, again with the outer surface of the floating headband 121 not shown, so that the wire segments 121A and elastic band 121B are fully visible. In use, the user's head may press against the elastic band 121B, through the outer surface of the floating headband 121, which may stretch somewhat, thereby providing a minor adjustment of the headset 100.

[0037] FIG. 6 is a flowchart illustrating an example process for headset major and minor adjustment. Referring to FIG. 6, there is shown a flow chart 600, comprising a plurality of example steps. In step 602, the headset 100 may be powered up for gaming, phone, or music playback purposes where the headset is a powered headset, or may be plugged into a signals source if the headset is a passive headset. In step 604, a major adjustment is made by configuration of the position of the headband slides 113 in the ear cups 103 to configure the size of the headset to comfortably fit the user.

[0038] In step 606, the headset 100 may be placed on the user's head, followed by step 608 where a minor adjustment of the headset 100 is enabled by the flexibility of the floating headband against the user's head. In addition a tension adjustment may be made using the slides, increasing or decreasing the force on the user's head.

[0039] In an example embodiment of the disclosure a headset with major and minor adjustments is disclosed where the headset may comprise a headband, a headband endcap at each end of the headband, a headband slide coupled to each headband endcap, ear cups operatively coupled to the headband slides, and a floating headband coupled to the headband endcaps. A major adjustment of the headset may comprise actuating at least one headband slide in a vertical direction. The ear cups may be operatively coupled to the headband slides utilizing ball detents. The ball detents may hold the position of the ear cups with respect to the headband slides.

[0040] The ball detents may comprise a portion of a ball on the headband slide and holes in the ear cup or may comprise a portion of a ball in the ear cup and holes in the headband slide. Each headband slide may be coupled to a headband endcap via a headband pivot. The headband pivot may provide rotational motion of the ear cups with respect to the headband. The floating headband may provide a minor adjustment of the headset. The floating headband may comprise a flexible band with wire segments that extend

from the headband endcaps into the floating headband and back down to the headband endcaps. The force on ears of a user of the headset may be configured by the actuating of the at least one headband slide coupled to a headband endcap.

[0041] While the present method and/or system has been described with reference to certain implementations, it will be understood by those skilled in the art that various changes may be made and equivalents may be substituted without departing from the scope of the present method and/or system. In addition, many modifications may be made to adapt a particular situation or material to the teachings of the present disclosure without departing from its scope. Therefore, it is intended that the present method and/or system not be limited to the particular implementations disclosed, but that the present method and/or system will include all implementations falling within the scope of the appended claims.

What is claimed is:

1-20. (canceled)

21. A headset, the headset comprising:

an ear cup; and

a headband operably coupled to the ear cup via a headband slide and a headband endcap, wherein:

the headband slide comprises a cross-bar that is operably located within the ear cup,

the ear cup comprises a guide for allowing vertical movement of the cross-bar with respect to the ear cup, and

the headband slide is movable in a vertical direction to provide a first adjustment of the headset.

22. The headset of claim 21, wherein the ear cup is operatively coupled to the headband slide utilizing a ball detent.

23. The headset of claim 22, wherein the ball detent holds a position of the ear cup with respect to the headband slide.

24. The headset of claim 22, wherein the ball detent comprises a portion of a ball on the headband slide and holes in the ear cup.

25. The headset of claim 22, wherein the ball detent comprises a portion of a ball in the ear cup and holes in the headband slide.

26. The headset of claim 21, wherein the headband slide is coupled to the headband endcap via a headband pivot.

27. The headset of claim 26, wherein the headband pivot provides rotational motion of the ear cup with respect to the headband.

28. The headset of claim 21, wherein a second headband, comprising a flexible band, provides a second adjustment of the headset.

29. The headset of claim 28, wherein the second headband is coupled to the headband endcap using wire segments that extend from the headband endcap into the second headband and back down to the headband endcap.

30. The headset of claim 21, wherein a force on a user of the headset is increased by extending the headband slide.

31. A method for adjusting a headset, the method comprising:

in a headset comprising:

a headband;

a headband endcap at an end of the headband;

a headband slide coupled to the headband endcap, wherein the headband slide comprises a cross-bar; and

an ear cup operatively coupled to the headband slide, wherein:
the ear cup comprises a guide for restricting movement of the cross-bar away from the ear cup while allowing vertical movement of the headband slide and the cross-bar with respect to the ear cup, and
an actuation of the headband slide in a vertical direction provides a first adjustment of the headset.

32. The method of claim **31**, wherein the ear cup is operatively coupled to the headband slide utilizing a ball detent.

33. The method of claim **32**, wherein the ball detent holds a position of the ear cup with respect to the headband slide.

34. The method of claim **32**, wherein the ball detent comprises a portion of a ball on the headband slide and holes in the ear cup.

35. The method of claim **32**, wherein the ball detent comprises a portion of a ball in the ear cup and holes in the headband slide.

36. The method of claim **31**, wherein the headband slide is coupled to a headband endcap via a headband pivot.

37. The method of claim **36**, wherein the headband pivot provides rotational motion of the ear cup with respect to the headband.

38. The method of claim **31**, wherein a second headband comprising a flexible band that provides a second adjustment of the headset.

39. The method of claim **38**, wherein the second headband is coupled to the headband endcap using wire segments that extend from the headband endcap into the second headband and back down to the headband endcap.

40. A headset, the headset comprising:

a headband;

a headband endcap at an end of the headband;

a headband slide coupled to the headband endcap; and

an ear cup operatively coupled to the headband slide utilizing a ball detent, wherein an adjustment of force on a user of the headset is enabled by an actuation of the headband slide in a vertical direction.

* * * * *