



(12) **EUROPEAN PATENT APPLICATION**

(88) Date of publication A3:
24.11.2004 Bulletin 2004/48

(51) Int Cl.7: **H03K 7/08**

(43) Date of publication A2:
02.05.2001 Bulletin 2001/18

(21) Application number: **00309156.8**

(22) Date of filing: **18.10.2000**

(84) Designated Contracting States:
**AT BE CH CY DE DK ES FI FR GB GR IE IT LI LU
MC NL PT SE**
Designated Extension States:
AL LT LV MK RO SI

(72) Inventor: **Yazdy, Mostafa R.**
Los Angeles, CA 90066 (US)

(74) Representative: **Walker, Antony James Alexander
W.P. Thomson & Co.,
Coopers Building,
Church Street
Liverpool L1 3AB (GB)**

(30) Priority: **28.10.1999 US 428822**

(71) Applicant: **Xerox Corporation
Rochester, New York 14644 (US)**

(54) **A pulse width modulation circuit**

(57) A pulse width modulation circuit utilizes a clock divider (CD) to generate a plurality of clocks (C_1 - C_6) to be used by a plurality of delay blocks (DL_1 - DL_{32}). Each delay block (DL_1 - DL_{32}) has plurality of delay elements (FF_1 - FF_6) each of which receives one the plurality of

clocks (C_1 - C_6). Each delay block (DL_1 - DL_{32}) receives a delay data (V_1 - V_{32}), selects a number of the plurality of clocks (C_1 - C_6) based on the delay data (V_1 - V_{32}) and activates the respective delay elements (FF_1 - FF_6) for delaying its input signal.

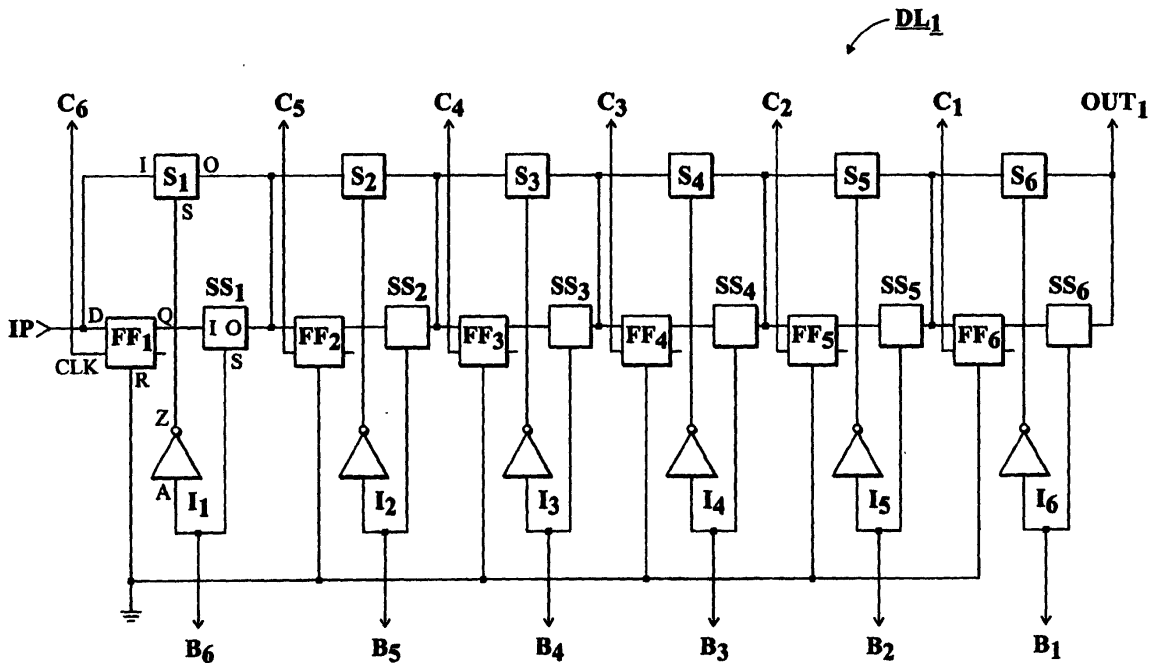


FIG. 6



European Patent
Office

EUROPEAN SEARCH REPORT

Application Number
EP 00 30 9156

DOCUMENTS CONSIDERED TO BE RELEVANT		
Category	Citation of document with indication, where appropriate, of relevant passages	Relevant to claim
X	PATENT ABSTRACTS OF JAPAN vol. 0185, no. 51 (E-1619), 20 October 1994 (1994-10-20) & JP 6 197562 A (CANON INC), 15 July 1994 (1994-07-15) * abstract; figure 1 *	1-5
X	PATENT ABSTRACTS OF JAPAN vol. 1997, no. 02, 28 February 1997 (1997-02-28) & JP 8 256137 A (FUJITSU LTD), 1 October 1996 (1996-10-01) * abstract; figures 14,15 *	1-5
The present search report has been drawn up for all claims		
Place of search	Date of completion of the search	Examiner
Munich	5 October 2004	Brown, J
<p>CLASSIFICATION OF THE APPLICATION (Int.Cl.7)</p> <p>H03K7/08</p> <hr/> <p>TECHNICAL FIELDS SEARCHED (Int.Cl.7)</p> <p>H03K</p>		
<p>CATEGORY OF CITED DOCUMENTS</p> <p>X : particularly relevant if taken alone Y : particularly relevant if combined with another document of the same category A : technological background O : non-written disclosure P : intermediate document</p> <p>T : theory or principle underlying the invention E : earlier patent document, but published on, or after the filing date D : document cited in the application L : document cited for other reasons</p> <p>& : member of the same patent family, corresponding document</p>		

EPO FORM 1503 03 82 (P04C01)

**ANNEX TO THE EUROPEAN SEARCH REPORT
ON EUROPEAN PATENT APPLICATION NO.**

EP 00 30 9156

This annex lists the patent family members relating to the patent documents cited in the above-mentioned European search report. The members are as contained in the European Patent Office EDP file on
The European Patent Office is in no way liable for these particulars which are merely given for the purpose of information.

05-10-2004

Patent document cited in search report		Publication date	Patent family member(s)	Publication date
JP 6197562	A	15-07-1994	NONE	

JP 8256137	A	01-10-1996	NONE	

EPO FORM P0459

For more details about this annex : see Official Journal of the European Patent Office, No. 12/82