

220,880

**DYNAMOELECTRIC MACHINE**

Richard W. Dochterman, Fort Wayne, Ind., assignor to  
General Electric Company

Filed Jan. 29, 1970, Ser. No. 21,147

Term of patent 14 years

Int. Cl. D13—01

U.S. Cl. D26—5

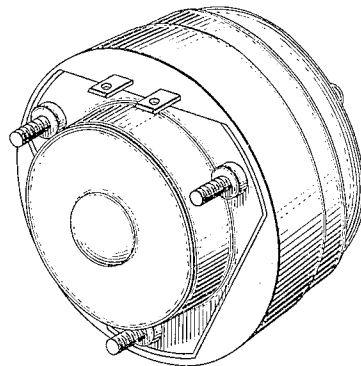


FIG. 1

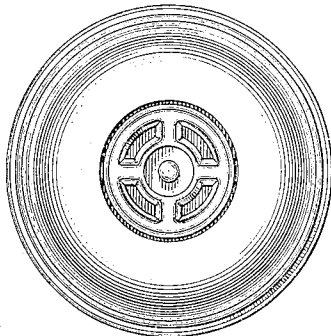


FIG. 3

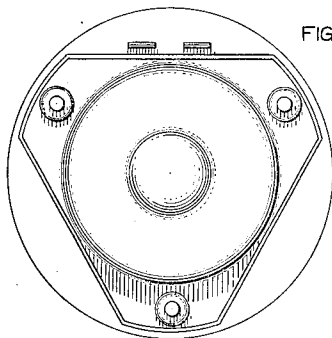


FIG. 4

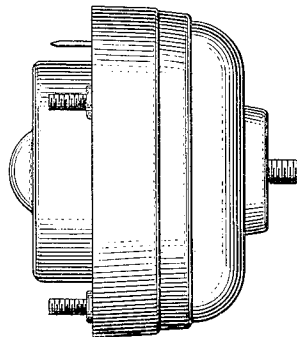


FIG. 2

FIG. 1 is an elevational view of a dynamoelectric machine employing my new design;

FIG. 2 is a side elevational view of the dynamoelectric machine of FIG. 1 as seen from the right in FIG. 1;

FIG. 3 is an end elevational view as seen from the rear in FIG. 1; and

FIG. 4 is an end elevational view as seen from the front in FIG. 1.

The view taken from the left of FIG. 1 is substantially similar to a mirror image of FIG. 2.

I claim:

The ornamental design for a dynamoelectric machine, substantially as shown and described.

**References Cited**

**UNITED STATES PATENTS**

D. 213,563	3/1969	Mabuchi	-----	D26—5
D. 206,715	1/1967	Svarnias	-----	D26—5
D. 178,722	9/1956	Dochterman	-----	D26—5
D. 166,030	2/1952	Dochterman	-----	D26—5
3,406,303	10/1968	Erickson	-----	310—40
3,231,654	5/1967	Allendorph	-----	310—42X

WALLACE R. BURKE, Primary Examiner

A. P. DOUGLAS, Assistant Examiner