



(12) **EUROPEAN PATENT APPLICATION**

(88) Date of publication A3:
25.01.2012 Bulletin 2012/04

(51) Int Cl.:
G06F 3/023 (2006.01) **G06F 3/048** (2006.01)
G06F 3/038 (2006.01)

(43) Date of publication A2:
16.08.2006 Bulletin 2006/33

(21) Application number: **06001948.6**

(22) Date of filing: **31.01.2006**

(84) Designated Contracting States:
AT BE BG CH CY CZ DE DK EE ES FI FR GB GR HU IE IS IT LI LT LU LV MC NL PL PT RO SE SI SK TR
 Designated Extension States:
AL BA HR MK YU

(71) Applicant: **NEC Corporation**
Minato-ku
Tokyo 108-8001 (JP)

(72) Inventor: **Hoshino, Tomonori**
Tokyo (JP)

(30) Priority: **09.02.2005 JP 2005032406**

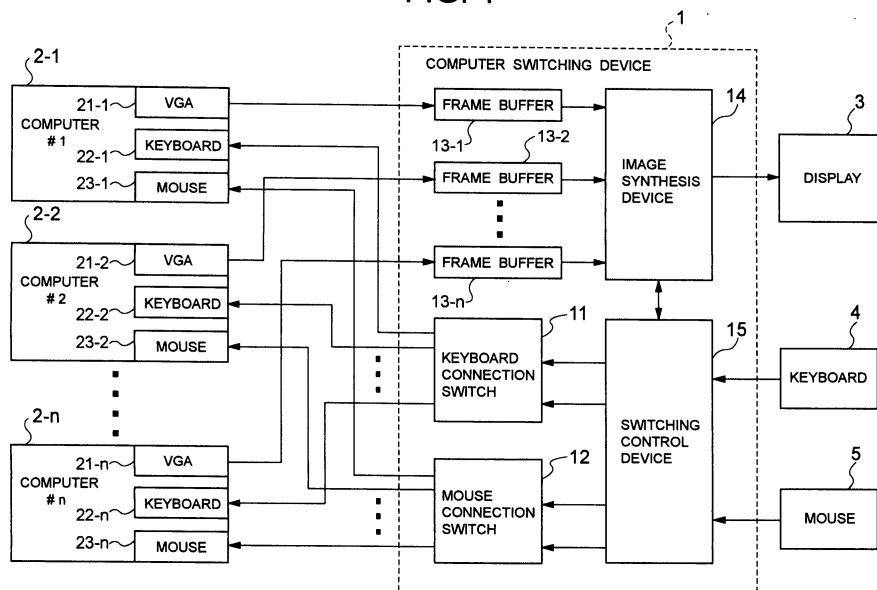
(74) Representative: **Glawe, Delfs, Moll**
Patent- und Rechtsanwälte
Postfach 26 01 62
80058 München (DE)

(54) **Computer switching device, computer switching method therefor, program thereof and computer system thereof**

(57) The present invention provides a computer switching device that can easily monitor a plurality of computers for errors. A keyboard connection switch distributes the input operation information of keyboard over the plurality of computers in accordance with an instruction of a switching control device. A mouse connection switch distributes the input operation information of

mouse over the plurality of computers in accordance with an instruction of the switching control device. A frame buffer buffers a screen from the VGA output of each computer. An image synthesis device forms an image by synthesizing the screens from the VGA outputs of the computers in accordance with an instruction of the switching control device.

FIG. 1





EUROPEAN SEARCH REPORT

Application Number
EP 06 00 1948

DOCUMENTS CONSIDERED TO BE RELEVANT			
Category	Citation of document with indication, where appropriate, of relevant passages	Relevant to claim	CLASSIFICATION OF THE APPLICATION (IPC)
X	US 2003/001966 A1 (MATSUBARA YOSHIAKI [JP] ET AL) 2 January 2003 (2003-01-02) * abstract; figures 4, 5, 6, 9A-9C, 15, 16, 17, 25, 26, 27, 38 * * paragraphs [0083] - [0097], [0104] - [0107], [0162] - [0164] * -----	1-10	INV. G06F3/023 G06F3/048 G06F3/038
A	JP 2000 181599 A (CANON KK) 30 June 2000 (2000-06-30) * abstract; figures 1,2 * -----	2,3,6,7	
A	JP 2001 337770 A (FUNAI ELECTRIC CO) 7 December 2001 (2001-12-07) * abstract; figures 1,2 * -----	4,8	
			TECHNICAL FIELDS SEARCHED (IPC)
			G06F
The present search report has been drawn up for all claims			
Place of search Berlin		Date of completion of the search 19 December 2011	Examiner Griesbach, Axel
CATEGORY OF CITED DOCUMENTS X : particularly relevant if taken alone Y : particularly relevant if combined with another document of the same category A : technological background O : non-written disclosure P : intermediate document		T : theory or principle underlying the invention E : earlier patent document, but published on, or after the filing date D : document cited in the application L : document cited for other reasons & : member of the same patent family, corresponding document	

1
EPO FORM 1503 03.82 (P04C01)

**ANNEX TO THE EUROPEAN SEARCH REPORT
ON EUROPEAN PATENT APPLICATION NO.**

EP 06 00 1948

This annex lists the patent family members relating to the patent documents cited in the above-mentioned European search report. The members are as contained in the European Patent Office EDP file on
The European Patent Office is in no way liable for these particulars which are merely given for the purpose of information.

19-12-2011

Patent document cited in search report	Publication date	Patent family member(s)	Publication date
US 2003001966 A1	02-01-2003	CN 1364252 A	14-08-2002
		EP 1164461 A1	19-12-2001
		JP 2011154382 A	11-08-2011
		TW 559699 B	01-11-2003
		US 2003001966 A1	02-01-2003
		US 2007109287 A1	17-05-2007
		WO 0152031 A1	19-07-2001

JP 2000181599 A	30-06-2000	NONE	

JP 2001337770 A	07-12-2001	NONE	

EPO FORM P0459

For more details about this annex : see Official Journal of the European Patent Office, No. 12/82