



US 20150220186A1

(19) **United States**

(12) **Patent Application Publication**
Tan et al.

(10) **Pub. No.: US 2015/0220186 A1**

(43) **Pub. Date: Aug. 6, 2015**

(54) **ACTIVE MATRIX ORGANIC LIGHT-EMITTING DIODE PIXEL CIRCUIT, METHOD FOR DRIVING THE SAME, AND DISPLAY DEVICE**

Publication Classification

(51) **Int. Cl.**
G06F 3/041 (2006.01)
G06F 3/044 (2006.01)
G09G 3/32 (2006.01)

(52) **U.S. Cl.**
 CPC *G06F 3/0412* (2013.01); *G09G 3/3208* (2013.01); *G06F 3/044* (2013.01); *G09G 3/3258* (2013.01); *G09G 3/3291* (2013.01); *G06F 3/0416* (2013.01); *G09G 2310/0256* (2013.01); *G09G 2310/0262* (2013.01); *G06F 2203/04101* (2013.01)

(71) Applicants: **CHENGDU BOE OPTOELECTRONICS TECHNOLOGY CO., LTD.**, Chengdu, Sichuan (CN); **BOE TECHNOLOGY GROUP CO., LTD.**, Beijing (CN)

(72) Inventors: **Wen Tan**, Beijing (CN); **Xiaoqing Qi**, Beijing (CN); **Leisen Nie**, Beijing (CN)

(21) Appl. No.: **14/344,437**

(57) **ABSTRACT**

The present disclosure relates to a field of display technology, and provides an AMOLED pixel circuit, a method for driving the same, and a display device, which can improve an integration of an in-cell touch control circuit with an AMOLED driving circuit. The AMOLED pixel circuit comprises a light-emitting module, a touch control module, a control module, an output module and a driving and amplifying module. The AMOLED pixel circuit provided in embodiments of the present disclosure can be used in the manufacture of the AMOLED display device.

(22) PCT Filed: **Sep. 27, 2013**

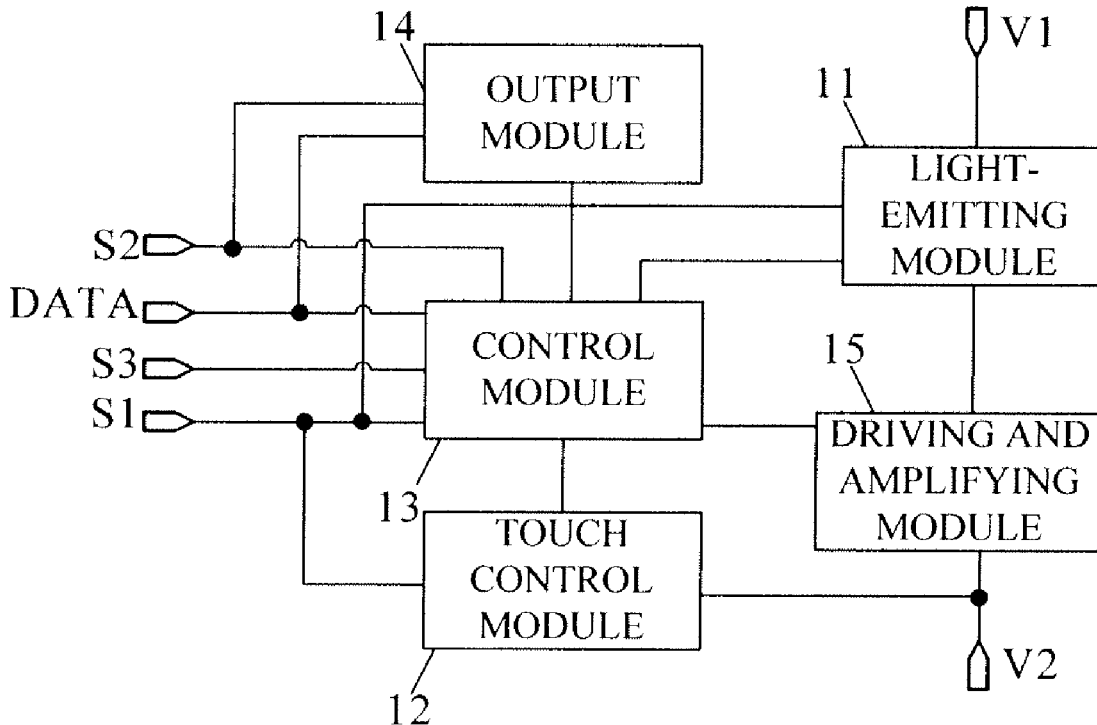
(86) PCT No.: **PCT/CN2013/084465**

§ 371 (c)(1),

(2) Date: **Mar. 12, 2014**

(30) **Foreign Application Priority Data**

Jun. 26, 2013 (CN) 2013102261085.4



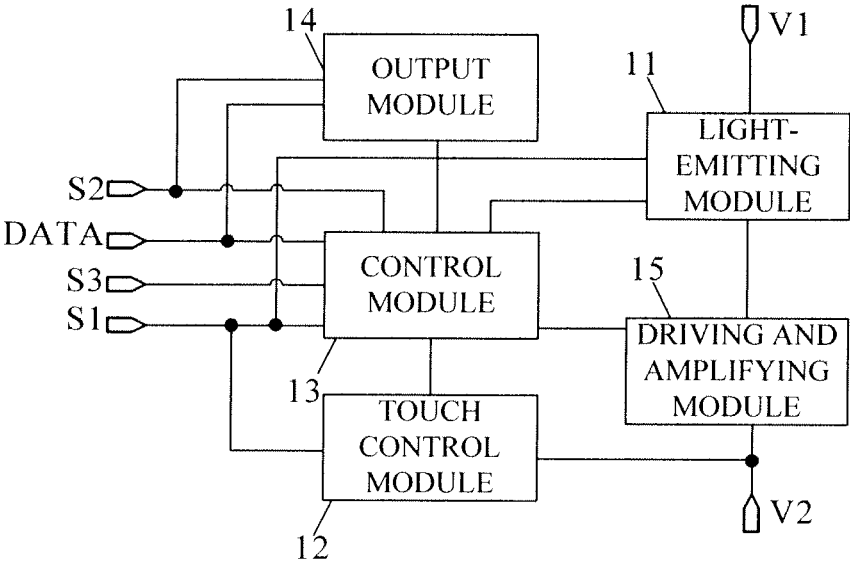


Fig. 1

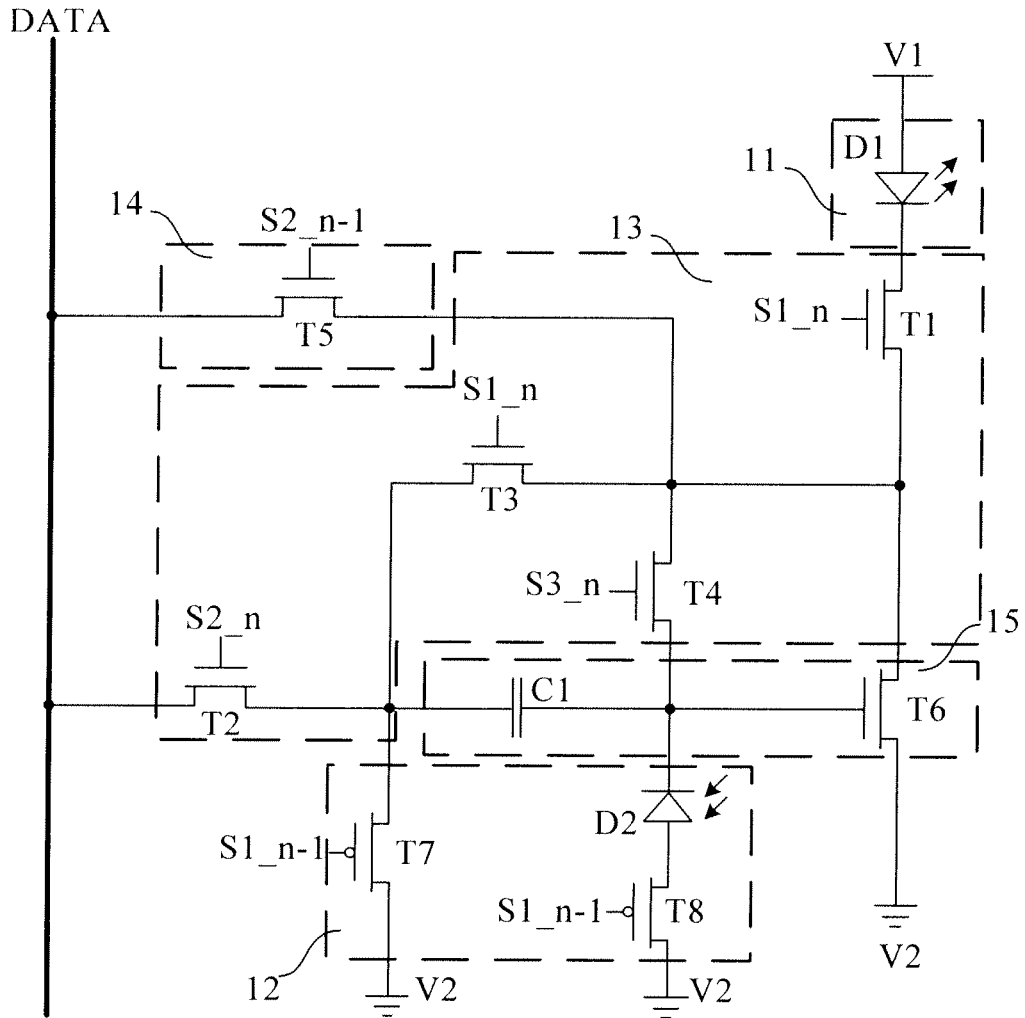


Fig.2

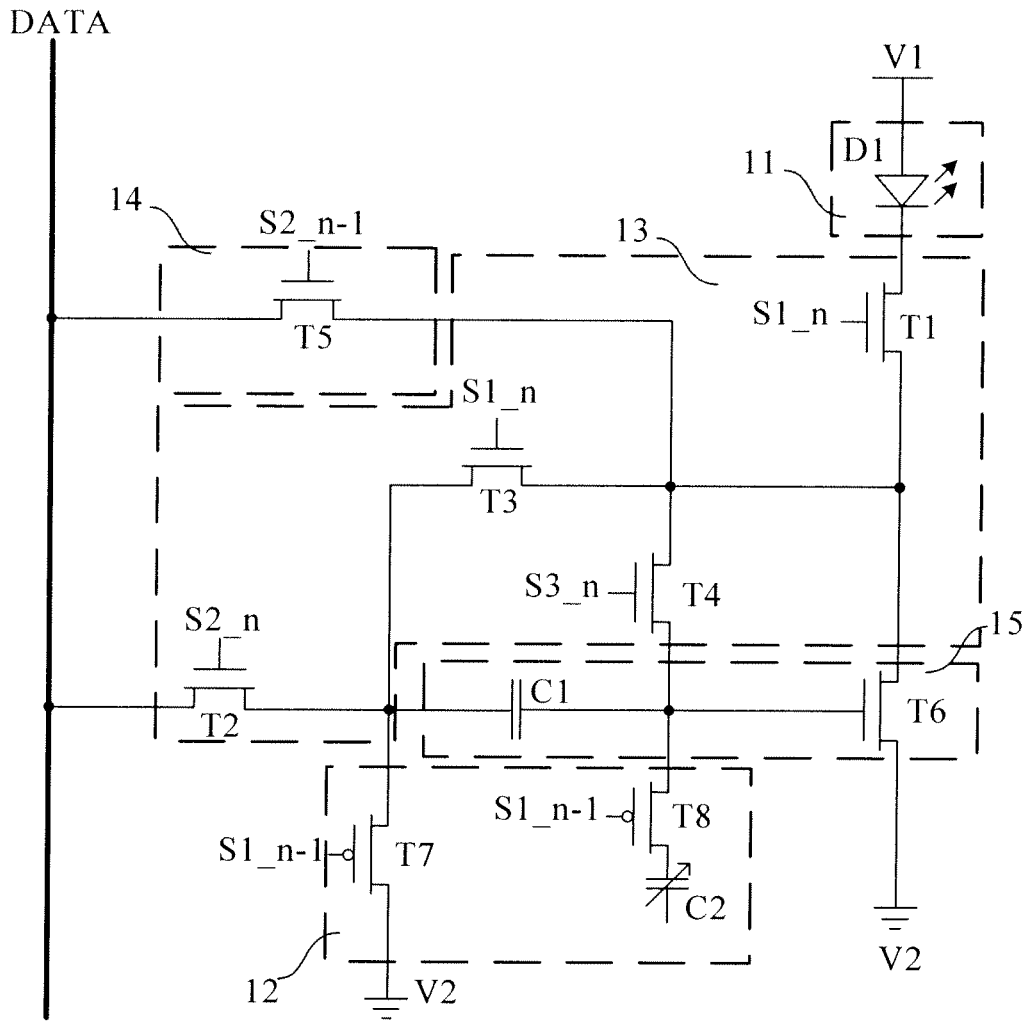


Fig. 3

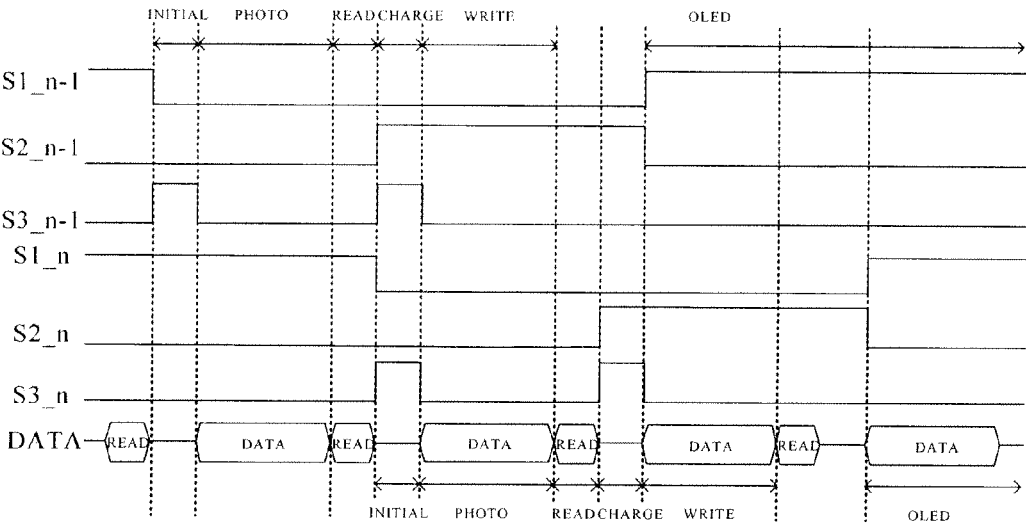


Fig.4

**ACTIVE MATRIX ORGANIC
LIGHT-EMITTING DIODE PIXEL CIRCUIT,
METHOD FOR DRIVING THE SAME, AND
DISPLAY DEVICE**

TECHNICAL FIELD

[0001] The present disclosure relates to a field of display technology, particularly to an Active Matrix Organic Light-Emitting Diode (AMOLED) pixel circuit, a method for driving the same, and a display device.

BACKGROUND

[0002] With rapid development of the display technology, display devices with a touch control function are gradually popular since they have advantages such as visualization operation. In general, the existing display devices with the touch control function can be classified into display devices with an on-cell touch screen panel and display devices with an in-cell touch screen panel according to the position of the touch screen panel relative to the display panel. Compared to the on-cell touch screen panel, the in-cell touch screen panel is thinner in thickness and has a higher light transmittance.

[0003] For the existing display devices, the Organic Light Emitting Diode (OLED), as a current type light-emitting element, is increasingly applied to the field of the high performance display, since it has characteristics such as self-luminance, rapid response, wide view angle, and capability of being manufactured on a flexible substrate, and the like. OLED display devices can be classified into Passive Matrix Driving OLED display devices and Active Matrix Driving OLED display devices, wherein since an AMOLED display device has advantages such as low cost in production, high response speed, energy-saving, direct-current driving capability available to a portable apparatus, wide operating temperature range, and the like, it tends to replace the Liquid Crystal Display to be as a next generation of a novel flat panel display. Therefore, the AMOLED display panel with the in-cell touch control function has increasingly gained favor with customer.

[0004] In an existing AMOLED display panel, each OLED is driven by a driving circuit comprising a plurality of Thin Film Transistors (TFTs) in a pixel unit on an array substrate to emit light so as to realize image display. In the in-cell Touch Screen Panel (TSP), sensors and a driving circuit for touch are manufactured in each pixel unit on the array substrate by the array technical process. If the sensors and the driving circuit for the TSP are incorporated to the AMOLED pixel, it needs a certain number of TFTs for the driving circuit to be added, thus occupying a certain extra space in a pixel unit; however the spare space in the pixel unit is limited, which significantly constrains the in-cell touch screen panel circuit and the AMOLED driving circuit from being manufactured simultaneously.

SUMMARY

[0005] In embodiments of the present disclosure, there are provided an AMOLED pixel circuit, a method for driving the same, and a display device, which can improve an integration of an in-cell touch control circuit with an AMOLED driving circuit.

[0006] In order to achieve the above purpose, the embodiments of the present disclosure utilize the following technical solutions.

[0007] In one aspect of the embodiments of the present disclosure, there is provided an AMOLED pixel circuit comprising a light-emitting module, a touch control module, a control module, an output module and a driving and amplifying module; wherein

[0008] the light-emitting module is connected to the control module and a first voltage terminal, and is used for emitting light for display under a control of the control module;

[0009] the touch control module is connected to the control module, a fourth signal line and a second voltage terminal, and is used for receiving a touch control signal as input;

[0010] the control module is further connected to a first signal line, a second signal line, a third signal line, and a data line, and is used for controlling the light-emitting module and the touch control module according to signals input from the signal lines, wherein the signal input from the first signal line is generated by delaying the signal input from the fourth signal line for a predetermined time;

[0011] the output module is connected to a fifth signal line, the control module and the data line, and is used for outputting the touch control signal to the data line, wherein the signal input from the second signal line is generated by delaying the signal input from the fifth signal line for a predetermined time;

[0012] the driving and amplifying module is connected to the touch control module, the control module and the second voltage terminal, and is used for driving the light-emitting module or amplifying the touch control signal received by the touch control module.

[0013] Further, the light-emitting module comprises a light-emitting element, wherein the light-emitting element has one terminal connected to the control module and the other terminal connected to the first voltage terminal

[0014] Further, the control module comprises:

[0015] a first transistor having a gate connected to the first signal line, and a first electrode connected to the light-emitting element;

[0016] a second transistor having a gate connected to the second signal line, and a second electrode connected to the data line;

[0017] a third transistor having a gate connected to the first signal line, a first electrode connected to a second electrode of the first transistor, and a second electrode connected to a first electrode of the second transistor; and

[0018] a fourth transistor having a gate connected to the third signal line, and a first electrode connected to the second electrode of the first transistor.

[0019] Further, the output module comprises a fifth transistor having a gate connected to the fifth signal line, a first electrode connected to the second electrode of the first transistor, and a second electrode connected to the data line.

[0020] Further, the driving and amplifying module comprises:

[0021] a sixth transistor having a gate connected to a second electrode of the fourth transistor, a first electrode connected to the second voltage terminal, and a second electrode connected to the second electrode of the first transistor; and

[0022] a storage capacitor having one terminal connected to the first electrode of the second transistor, and the other terminal connected to the second electrode of the fourth transistor.

[0023] Further, the touch control module comprises:

[0024] a seventh transistor having a gate connected to the fourth signal line, a first electrode connected to the first elec-

trode of the second transistor, and a second electrode connected to the second voltage terminal;

[0025] an eighth transistor having a gate connected to the fourth signal line, and a second electrode connected to the second voltage terminal; and

[0026] an optoelectronic diode having an anode connected to a first electrode of the eighth transistor, and a cathode connected to the second electrode of the fourth transistor.

[0027] As an alternative, the touch control module comprises:

[0028] a seventh transistor having a gate connected to the fourth signal line, a first electrode connected to the first electrode of the second transistor, and a second electrode connected to the second voltage terminal;

[0029] an eighth transistor having a gate connected to the fourth signal line, and a first electrode connected to the second electrode of the fourth transistor; and

[0030] a sensing electrode connected to a second electrode of the eighth transistor.

[0031] It should be noted that the first, second, third, fourth, fifth and sixth transistors are N-type transistors, and the seventh and eighth transistors are P-type transistors;

[0032] as an alternative, the first, second, third, fourth, fifth and sixth transistors are P-type transistors, and the seventh and eighth transistors are N-type transistors.

[0033] In another aspect of the present disclosure, there is provided a display device comprising any of the AMOLED pixel circuits as described above.

[0034] In still another aspect of the present disclosure, there is provided a method for driving the AMOLED pixel circuit, wherein the method comprises:

[0035] switching off the light-emitting module, inputting an initialization signal from the data line, and initializing the touch control module and the driving and amplifying module by the control module according to the initialization signal;

[0036] receiving the touch control signal by the touch control module;

[0037] amplifying the touch control signal by the driving and amplifying module and outputting the amplified touch control signal to the data line via the output module;

[0038] inputting an initialization signal from the data line, wherein the initialization signal pre-charges the driving and amplifying module;

[0039] switching off the light-emitting module and inputting a data signal from the data line;

[0040] switching off the touch control module, switching on the light-emitting module, and driving the light-emitting module by the driving and amplifying module to emit light for display.

[0041] In particular, the method comprises:

[0042] an initialization phase, wherein the first transistor is turned off so that the light-emitting element is switched off, and the second transistor is turned off, the seventh and eighth transistors are turned on so that the touch control module is electrically connected to the gate of the sixth transistor, and the storage capacitor serves as a storage capacitor of the sixth transistor; the third transistor is turned off, the fourth transistor is turned on, the fifth transistor is turned on, and the data line inputs an initialization signal and pre-charges the storage capacitor to a level of the initialization signal;

[0043] a touch control phase, wherein the third transistor and the fourth transistor are turned off, the seventh transistor and the eighth transistor are turned on, and the touch control module receives a touch control signal;

[0044] a reading phase, wherein the fifth transistor is turned on, and the sixth transistor amplifies the voltage at the gate of the sixth transistor and outputs the amplified voltage to the data line via the output module;

[0045] a charging phase, wherein the third transistor is turned off, the second, fourth, fifth, seventh and eighth transistors are turned on, the data line inputs the initialization signal so that the storage capacitor is charged;

[0046] a writing phase, wherein the third, fourth, fifth, seventh and eighth transistors are turned off, the second transistor is turned on, the data line inputs a grayscale voltage, and the storage capacitor is discharged to a cut-off state via the sixth transistor;

[0047] a light-emitting phase, wherein the second, fourth, and fifth transistors are turned off, the first and third transistors are turned on, and the sixth transistor drives the light-emitting element to emit light for display.

[0048] Further, said receiving the touch control signal by the touch control module comprises:

[0049] determining to receive the touch control signal by the touch control module according to quantity of the light received by the optoelectronic diode when a touch operation is performed; or

[0050] determining to receive the touch control signal by the touch control module according to a capacitance value of a sensing capacitor formed between a sensing electrode and a touch terminal of the user when the touch operation is performed.

[0051] It should be noted that the first, second, third, fourth, fifth and sixth transistors are N-type transistors, and the seventh and eighth transistors are P-type transistors; or

[0052] the first, second, third, fourth, fifth and sixth transistors are P-type transistors, and the seventh and eighth transistors are N-type transistors.

[0053] In the AMOLED pixel circuit, the method for driving the same and the display device provided in the embodiments of the present disclosure, by integrating the in-cell touch control circuit into the AMOLED pixel circuit, the control module and the driving and amplifying module are shared by the light-emitting module and the touch control module. Thus, the in-cell touch control circuit and the AMOLED pixel circuit can be driven in a time division mode by adjusting the timing sequences of the signals without increasing the number of the signals for driving, so that the integration of the in-cell touch control circuit with the AMOLED driving circuit is improved greatly, and it can be realized that the in-cell touch screen panel circuit and the AMOLED driving circuit are manufactured simultaneously in the limited space of the pixel unit, thus enhancing the quality of the display product significantly and reducing the difficulties in manufacturing the display product.

BRIEF DESCRIPTION OF THE DRAWINGS

[0054] In order to more clearly describe the technical solutions of the embodiments of the present disclosure or the prior art, drawings necessary for describing the embodiments of the present disclosure or the prior art are simply introduced as follows. It should be obvious for those skilled in the art that the drawings described as follows only illustrate some embodiments of the present disclosure and other drawings can be obtained according to these drawings without paying any inventive efforts.

[0055] FIG. 1 is a schematic block diagram illustrating a structure of an AMOLED pixel circuit provided in an embodiment of the present disclosure;

[0056] FIG. 2 is a schematic circuit diagram illustrating a structure of an AMOLED pixel circuit provided in an embodiment of the present disclosure;

[0057] FIG. 3 is a schematic circuit diagram illustrating a structure of another AMOLED pixel circuit provided in an embodiment of the present disclosure; and

[0058] FIG. 4 is a schematic waveform diagram of signals for driving the AMOLED pixel circuit shown in FIG. 2.

DETAILED DESCRIPTION OF THE PREFERRED EMBODIMENTS

[0059] To illustrate the technical solutions of embodiments of the present disclosure clearly and fully, hereinafter, detailed descriptions will be made to the embodiments of the present disclosure in connection with the appended drawings. Obviously, the embodiments as described are only a part of the embodiments of the present disclosure, and are not all the embodiments of the present disclosure. All the other embodiments which are obtained by those skilled in the art based on the embodiments of the present disclosure without paying any inventive labor fall into the protection of the present disclosure.

[0060] The transistors employed in all the embodiments of the present disclosure can be thin film transistors, field effect transistors, or any elements with the same characteristics. Since a source and a drain of a transistor utilized herein are symmetrical, there is no distinction between the source and the drain thereof. In the embodiments of the present disclosure, in order to make a distinction between two electrodes of a transistor other than a gate thereof, one of the two electrodes is referred to as a source, and the other is referred to as a drain. Further, a transistor can be classified into an N-type transistor or a P-type transistor based on the characteristics of the transistor; in the embodiments of the present disclosure, when the N-type transistor is employed, the first electrode can be the source, and the second electrode can be the drain, and when the P-type transistor is employed, the first electrode can be the drain, and the second electrode can be the source.

[0061] FIG. 1 illustrates an AMOLED pixel circuit provided in an embodiment of the present disclosure, wherein the AMOLED pixel circuit comprises: a light-emitting module 11, a touch control module 12, a control module 13, an output module 14 and a driving and amplifying module 15.

[0062] The light-emitting module 11 is connected to the control module 13 and a first voltage terminal V1, and is used for emitting light for display under a control of the control module 13.

[0063] The touch control module 12 is connected to the control module 13, a fourth signal line S1_{n-1} and a second voltage terminal V2, and is used for receiving a touch control signal as input.

[0064] The control module 13 is further connected to a first signal line S1_n, a second signal line S2_n, a third signal line S3_n, and a data line DATA, and is used for controlling the light-emitting module 11 and the touch control module 12 according to signals input from the signal lines, wherein the signal input from the first signal line is generated by delaying the signal input from the fourth signal line for a predetermined time.

[0065] The output module 14 is connected to a fifth signal line S2_{n-1}, the control module 13 and the data line DATA,

and is used for outputting a touch control signal to the data line DATA, wherein the signal input from the second signal line is generated by delaying the signal input from the fifth signal line for a predetermined time.

[0066] The driving and amplifying module 15 is connected to the touch control module 12, the control module 13 and the second voltage terminal V2, and is used for driving the light-emitting module 11 or amplifying the touch control signal received by the touch control module 12.

[0067] In FIG. 1, and is used for simple illustration, both the first signal line S1_n and the fourth signal line S1_{n-1} are illustrated as S1, and both the second signal line S2_n and the fifth signal line S2_{n-1} are illustrated as S2.

[0068] In the AMOLED pixel circuit provided in the embodiment of the present disclosure, by integrating the in-cell touch control circuit into the AMOLED pixel circuit, the control module and the driving and amplifying module are shared by the light-emitting module and the touch control module. Thus, the in-cell touch control circuit and the AMOLED pixel circuit can be driven in a time division mode by adjusting the timing sequences of the signals without increasing the number of the signals for driving, so that the integration of the in-cell touch control circuit with the AMOLED driving circuit is improved greatly, and it can be realized that the in-cell touch screen panel circuit and the AMOLED driving circuit are manufactured simultaneously in the limited space of the pixel unit, thus enhancing the quality of the display product significantly and reducing the difficulties in manufacturing the display product.

[0069] Optionally, the first voltage terminal V1 can input a high level VDD, and the second voltage terminal V2 can input a low level VSS. The light-emitting module 11 and the touch control module 12 in the AMOLED pixel circuit share one data line DATA, and the data line DATA is mainly used for inputting a light-emitting control signal to the AMOLED pixel circuit or for reading the touch control signal from the same in a time division mode.

[0070] In particular, as illustrated in FIG. 2, in the AMOLED pixel circuit provided in the embodiment of the present disclosure, the light-emitting module 11 can comprise a light-emitting element D1.

[0071] The light-emitting element D1 has one terminal connected to the control module 13 and the other terminal connected to the first voltage terminal V1.

[0072] In the embodiments of the present disclosure, the light-emitting element D1 can be any one of the current-driven light-emitting elements comprising the Light Emitting Diode (LED) or Organic Light Emitting Diode (OLED) in the prior art. In the embodiments of the present disclosure, the OLED is taken as an example to illustrate the principle of the embodiments of the present disclosure.

[0073] Further, as shown in FIG. 2, the control module 13 can comprise a first transistor T1, a second transistor T2, a third transistor T3 and a fourth transistor T4.

[0074] A gate of the first transistor T1 is connected to the first signal line S1_n, and a first electrode thereof is connected to the light-emitting element D1.

[0075] A gate of the second transistor T2 is connected to the second signal line S2_n, and a second electrode thereof is connected to the data line DATA.

[0076] A gate of the third transistor T3 is connected to the first signal line S1_n, a first electrode of the third transistor T3 is connected to a second electrode of the first transistor T1,

and a second electrode of the third transistor T3 is connected to a first electrode of the second transistor T2.

[0077] A gate of the fourth transistor T4 is connected to the third signal line S3_n, and a first electrode thereof is connected to the second electrode of the first transistor T1.

[0078] Further, as shown in FIG. 2, the output module 14 can comprise a fifth transistor T5.

[0079] A gate of the fifth transistor T5 is connected to the fifth signal line S2_{n-1}, a first electrode of the fifth transistor T5 is connected to the second electrode of the first transistor T1, and a second electrode of the fifth transistor T5 is connected to the data line DATA.

[0080] In the AMOLED pixel circuit shown in FIG. 2, the driving and amplifying module 15 can comprise a sixth transistor T6 and a storage capacitor C1.

[0081] A gate of the sixth transistor T6 is connected to a second electrode of the fourth transistor T4, a first electrode of the sixth transistor T6 is connected to the second voltage terminal V2, and a second electrode of the sixth transistor T6 is connected to the second electrode of the first transistor T1.

[0082] One terminal of the storage capacitor C1 is connected to the first electrode of the second transistor T2, and the other terminal thereof is connected to the second electrode of the fourth transistor T4.

[0083] Further, as shown in FIG. 2, the touch control module 12 can comprise a seventh transistor T7, an eighth transistor T8 and an optoelectronic diode D2.

[0084] A gate of the seventh transistor T7 is connected to the fourth signal line S1_{n-1}, a first electrode of the seventh transistor T7 is connected to the first electrode of the second transistor T2, and a second electrode of the seventh transistor T7 is connected to the second voltage terminal V2.

[0085] A gate of the eighth transistor T8 is connected to the fourth signal line S1_{n-1}, and a second electrode thereof is connected to the second voltage terminal V2.

[0086] An anode of the optoelectronic diode D2 is connected to a first electrode of the eighth transistor T8, and a cathode thereof is connected to the second electrode of the fourth transistor T4.

[0087] In the touch control module 12 with such a structure, when the user performs a touch operation, the quantity of the light received by the optoelectronic diode will vary due to the influence of the shading generated by the user in touch, and the optoelectronic diode D2 generates different leakage currents according to the different quantity of the light received. The accurate detection of the touch position can be achieved by observing the leakage currents of the optoelectronic diodes D2 in different pixel areas on the display panel.

[0088] Of course, the touch control module 12 in the AMOLED pixel circuit provided in the embodiments of the present disclosure is not limited to a photo-sensitive touch control module, and other types of the known touch control circuit structures can also be applicable to the embodiments of the present disclosure. For example, in the AMOLED pixel circuit shown in FIG. 3, the structure of the touch control module 12 can further comprise a seventh transistor T7, an eighth transistor T8 and a sensing electrode.

[0089] A gate of the seventh transistor T7 is connected to the fourth signal line S1_{n-1}, a first electrode of the seventh transistor T7 is connected to the first electrode of the second transistor T2, and a second electrode of the seventh transistor T7 is connected to the second voltage terminal V2.

[0090] A gate of the eighth transistor T8 is connected to the fourth signal line S1_{n-1}, and a first electrode of the eighth transistor T8 is connected to the second electrode of the fourth transistor T4.

[0091] The sensing electrode is connected to a second electrode of the eighth transistor T8.

[0092] In the touch control module 12 with such a structure, when the user performs a touch operation, a sensing capacitor C2 will be formed between a finger of the user or other touch means and the sensing electrode, and an accurate detection of a touch position can also be achieved by detecting the position of the sensing capacitor.

[0093] In an actual application, the two touch control modules 12 with the above structures respectively can also be selected or replaced according to actual requirements.

[0094] It should be noted that in the AMOLED pixel circuit provided in the embodiments of the present disclosure, the first, second, third, fourth, fifth and sixth transistors T1, T2, T3, T4, T5 and T6 can be N-type transistors, and the seventh and eighth transistors T8 can be P-type transistors. As an alternative, the first, second, third, fourth, fifth and sixth transistors T1, T2, T3, T4, T5 and T6 can be P-type transistors, and the seventh and eighth transistors T8 can be N-type transistors.

[0095] In the embodiments of the present disclosure, the case in which the first, second, third, fourth, fifth and sixth transistors T1, T2, T3, T4, T5 and T6 are N-type transistors and the seventh and eighth transistors T7 and T8 are P-type transistors is taken as an example for illustration, and it can be appreciated that the same driving effect can also be achieved by changing the levels of the control signals accordingly when the types of the transistors are changed.

[0096] In the AMOLED pixel circuit with such a structure provided in the embodiment of the present disclosure, the in-cell touch control circuit and the AMOLED pixel circuit are driven in a time division mode by adjusting the timing sequences of the signals without increasing the number of the signals for driving, so that the integration of the in-cell touch control circuit with the AMOLED driving circuit is improved greatly, and it can be realized that the in-cell touch screen panel circuit and the AMOLED driving circuit are manufactured simultaneously in the limited space of the pixel unit, thus enhancing the quality of the display product significantly and reducing the difficulties in manufacturing the display product.

[0097] In the embodiments of the present disclosure, there is further provided a display device comprising an organic light-emitting display, other displays, etc. The display device comprises any one of the AMOLED pixel circuits as described above. The display device can comprise an array comprising a plurality of AMOLED pixel units, wherein each of the plurality of the AMOLED pixel units comprises any one of the AMOLED pixel circuit as described above, which has the same beneficial effects as the pixel circuit provided in the embodiments of the present disclosure. The details are omitted since the detailed descriptions have been given to the above embodiments.

[0098] Specifically, the display device provided in the embodiments of the present disclosure can be any display device having the current-driven light-emitting elements comprising the LED display or OLED display.

[0099] The display device provided in the embodiments of the present disclosure comprises the AMOLED pixel circuit, wherein by integrating the in-cell touch control circuit into

the AMOLED pixel circuit, the control module and the driving and amplifying module are shared by the light-emitting module and the touch control module. Thus, the in-cell touch control circuit and the AMOLED pixel circuit can be driven in a time division mode by adjusting the timing sequences of the signals without increasing the number of the signals for driving, so that the integration of the in-cell touch control circuit with the AMOLED driving circuit is improved greatly, and it can be realized that the in-cell touch screen panel circuit and the AMOLED driving circuit are manufactured simultaneously in the limited space of the pixel unit, thus enhancing the quality of the display product significantly and reducing the difficulties in manufacturing the display product.

[0100] A method for driving an AMOLED pixel circuit provided in the embodiments of the present disclosure can be applied to the plurality of AMOLED pixel circuits provided in the above embodiments of the present disclosure, wherein the method comprises:

[0101] **S101:** switching off the light-emitting module, inputting an initialization signal from the data line, and initializing the touch control module and the driving and amplifying module by the control module according to the initialization signal;

[0102] **S102:** receiving the touch control signal by the touch control module;

[0103] **S103:** amplifying the touch control signal by the driving and amplifying module and outputting the amplified touch control signal to the data line via the output module;

[0104] **S104:** inputting an initialization signal from the data line, wherein the initialization signal pre-charges the driving and amplifying module;

[0105] **S105:** switching off the light-emitting module and inputting a data signal from the data line;

[0106] **S106:** switching off the touch control module, switching on the light-emitting module, and driving the light-emitting module by the driving and amplifying module to emit light for display.

[0107] In the method for driving the AMOLED pixel circuit provided in the embodiments of the present disclosure, by integrating the in-cell touch control circuit into the AMOLED pixel circuit, the control module and the driving and amplifying module are shared by the light-emitting module and the touch control module. Thus, the in-cell touch control circuit and the AMOLED pixel circuit can be driven in a time division mode by adjusting the timing sequences of the signals without increasing the number of the signals for driving, so that the integration of the in-cell touch control circuit with the AMOLED driving circuit is improved greatly, and it can be realized that the in-cell touch screen panel circuit and the AMOLED driving circuit are manufactured simultaneously in the limited space of the pixel unit, thus enhancing the quality of the display product significantly and reducing the difficulties in manufacturing the display product.

[0108] Hereinafter detailed descriptions will be given to the method for driving the AMOLED pixel circuit provided in the embodiments of the present disclosure by taking the AMOLED pixel circuit shown in FIG. 2 as an example, wherein waveforms of the timing sequences of respective data signal lines for driving the AMOLED pixel circuit can be as shown in FIG. 4. It should be illustrated that in the embodiments of the present disclosure, the gates of the first transistor T1 and the third transistor T3 are connected to the first signal line S1_n, and the gates of the seventh transistor T7 and the eighth transistor T8 are connected to the fourth signal line

S1_{n-1}; wherein the waveform of the signal S1_n is obtained by delaying the waveform of the signal S1_{n-1} for a certain time; the gate of the second transistor T2 is connected to the second signal line S2_n, and the gate of the fifth transistor T5 is connected to the second signal line S2_{n-1}, wherein the waveform of the signal S2_n is obtained by delaying the waveform of the signal S2_{n-1} for a certain time; the gate of the fourth transistor T4 is connected to the third signal line S3, and is input the signal S3_n.

[0109] In the AMOLED pixel circuit shown in FIG. 2, a case in which the first, second, third, fourth, fifth and sixth transistors T1, T2, T3, T4, T5 and T6 are N-type transistors and the seventh and eighth transistors T7 and T8 are P-type transistors is taken as an example for illustration. It can be conceived that the same driving effect can also be achieved by changing the levels of the control signals accordingly when the types of the above transistors are changed.

[0110] In particular, in combination with the waveforms of the timing sequences of the respective data signal lines for driving the AMOLED pixel circuit as shown in FIG. 4, and specifically with reference to respective operational phases marked below the DATA signal line in FIG. 4, i.e., an initialization phase (INITIAL), a touch control phase (PHOTO), a reading phase (READ), a charging phase (CHARGE), a writing phase (WRITE), and a light-emitting phase (OLED), the method for driving the AMOLED pixel circuit provided in the embodiments of the present disclosure can comprise the following phases.

[0111] During the initialization phase (INITIAL), the signals S1_n, S2_n and S1_{n-1} are at a low level, and the signals S3_n and S2_{n-1} are at a high level; at this time, the first transistor T1 is turned off so that the light-emitting element is switched off, and the second transistor T2 is turned off, the seventh and eighth transistors T7 and T8 are turned on so that the touch control module 12 is electrically connected to the gate of the sixth transistor T6, and the storage capacitor C1 serves as a storage capacitor of the sixth transistor T6; in addition, the third transistor T3 is turned off, the fourth transistor T4 is turned on, the fifth transistor T5 is turned on, and the data line DATA inputs an initialization signal VINI and pre-charges the storage capacitor C1 to a level of the initialization signal VINI.

[0112] Thus, the storage capacitor C1 can be pre-charged to the level of the initialization signal VINI by initializing the touch control module 12, which can ensure the sixth transistor T6 operates in a saturation and amplification state during the next phase.

[0113] During the touch control phase (PHOTO), the signal S1_n, S2_n, S3_n and S1_{n-1} are at a low level, and the signal S2_{n-1} is at a high level. At this time, the third transistor T3 and the fourth transistor T4 are turned off, the seventh transistor T7 and the eighth transistor T8 are turned on, and the touch control module 12 receives a touch control signal.

[0114] Wherein, the structure of the touch control module 12 can be as shown in FIG. 2. The touch control module 12 comprises an optoelectronic diode D2. In the touch control module 12 with such a structure, when the user performs a touch operation, the quantity of the light received by the optoelectronic diode D2 will vary due to the influence of the shading generated by the user in touch, and the optoelectronic diode D2 generates different leakage currents according to the different quantity of the light received. The accurate detection of the touch position can be achieved by observing

the leakage currents of the optoelectronic diodes D2 in different pixel areas on the display panel.

[0115] Of course, the touch control module 12 in the AMOLED pixel circuit provided in the embodiments of the present disclosure is not limited to a photo-sensitive touch control module, and other types of the known touch control circuit structures can also be applicable to the embodiments of the present disclosure. For example, another structure of the touch control module 12 can be as shown in FIG. 3, wherein the touch control module 12 comprises a sensing electrode. In the touch control module 12 with such a structure, when the user performs a touch operation, a sensing capacitor C2 will be formed between the finger of the user or other touch means and the sensing electrode, and the accurate detection of the touch position can also be achieved by detecting the position of the sensing capacitor.

[0116] In the actual application, the two touch control modules 12 with the above structures respectively can also be selected or replaced according to the actual requirements.

[0117] In particular, the detailed descriptions will be given to the touch control phase by taking the photo-sensitive touch control module as an example. When the third transistor T3 and the fourth transistor T4 are turned off, the optoelectronic diode D2 detects a touch state of the display panel; when the touch screen panel is touched by the finger of the user, the optoelectronic diode D2 can not be irradiated by an external light source, and the quantity of the light received by the D2 is relative small, and the leakage current generated by the sensed light is small, and the variation of the voltage level of the storage capacitor C1 during the PHOTO phase due to the leakage current is small; when the display panel is not touched, the optoelectronic diode can be irradiated by the external light source, and the quantity of the light received by the D2 is large, and a large leakage current is generated by the sensed light, and then the variation of the voltage level of the storage capacitor C1 during the PHOTO phase due to the leakage current is large. Therefore, if the touch screen panel is touched, the variation of the voltage at the gate of the amplifying transistor T6 relative to an initial voltage is small; and if the touch screen panel is not touched, the variation of the voltage at the gate of the amplifying transistor T6 relative to the initial voltage is large.

[0118] During the reading phase (READ), all the signals S1_n, S2_n, S3_n and S1_{n-1} are at a low level, and the signal S2_{n-1} is at a high level. At this time, the fifth transistor T5 is turned on, and since the voltage of the storage capacitor C1 at the gate of the sixth transistor T6 is not changed due to the leakage current any more, and the result of the previous phase can be stored in the storage capacitor C1. The sixth transistor T6 amplifies the voltage at the gate of the sixth transistor and outputs the amplified voltage to the data line DATA.

[0119] Thus, the data line DATA functions as a line for reading the output voltage as the result of the touch at this time, and the sixth transistor T6 amplifies the voltage at the gate of the sixth transistor and outputs the amplified voltage to the data line DATA, so that the result of the touch is output to the touch control signal reading circuit arranged in the periphery of the display panel.

[0120] The above three phases show the operational procedure of the touch control function circuit, wherein the touch control function is realized by detecting and reading the touch control signal.

[0121] During the charging phase (CHARGE), both the signals S1_n and S1_{n-1} are at a low level, and all the signals S2_n, S3_n and S2_{n-1} are at a high level. At this time, the third transistor T3 is turned off, the second, fourth, fifth, seventh and eighth transistors T2, T4, T5, T7 and T8 are turned on, the data line inputs the initialization signal VIM, the level at the gate of the sixth transistor T6 (i.e., at one terminal of the storage capacitor C1) is equal to V_{INI}, and the level at the other terminal of the storage capacitor C1 is V_{SS}, that is, the voltage across the storage capacitor C1 is charged to V_{INI}-V_{SS}.

[0122] During the writing phase (WRITE), the signals S1_n, S3_n and S2_{n-1} are at a low level, and the signals S2_n and S1_{n-1} are at a high level. At this time, the third, fourth, fifth, seventh and eighth transistors T3, T4, T5, T7 and T8 are turned off, the second transistor T2 is turned on, the data line DATA input a grayscale voltage, and the storage capacitor C1 is discharged to a cut-off state via the sixth transistor T6.

[0123] At this time, the data line DATA inputs the AMOLED grayscale voltage V_{DATA}, then the level at the other terminal of the storage capacitor C1 is changed from V_{SS} to V_{DATA}, the level at the gate of the sixth transistor T6 is changed to V_{DATA}+V_{INI}-V_{SS}. Since the transistors T4, T5, T7 and T8 are turned off, the voltage at the one terminal of the storage capacitor C1 is discharged to the cut-off state via the sixth transistor T6. As a result, the level at the gate of the sixth transistor T6 is V_{TH1}, and the voltage across the storage capacitor C1 is V_{DATA}-V_{TH1}.

[0124] During the light-emitting phase (OLED), the signals S2_n, S3_n and S2_{n-1} are at a low level, and the signals S1_n and S1_{n-1} are at a high level. At this time, the second, fourth, and fifth transistors T2, T4 and T5 are turned off, the first and third transistors T1 and T3 are turned on, and the sixth transistor T6 drives the light-emitting element D1 to emit light for display.

[0125] In particular, the drain current of the sixth transistor T6 $I_{DS_T1} = k \cdot (V_{DD} - V_{TH_{OLED}} - V_{DATA} + V_{TH_{T1}} - V_{TH_{T1}})^2 = k \cdot (V_{DD} - V_{TH_{OLED}} - V_{DATA})^2$, then $I_{DS_OLED} = I_{DS_T1}$. It can be seen from the above equation that the drain current is independent of the threshold voltage of the sixth transistor T6, so that the luminance nonuniformity of the OLED due to the nonuniformity of the threshold voltage of the sixth transistor T6 can be eliminated, thus further improving the quality of the display products. The light-emitting element D1 emits light until the next frame.

[0126] It should be noted that the above descriptions are given to the method for driving the AMOLED pixel circuit provided in the embodiments of the present disclosure by taking the AMOLED pixel circuit shown in FIG. 2 as an example. The method for driving the AMOLED pixel circuit provided in the embodiment of the present disclosure can also be applicable to the AMOLED pixel circuit shown in FIG. 3, wherein the specific procedures can be referred to the above embodiments, and the details are omitted.

[0127] In the method for driving the AMOLED pixel circuit with such a structure provided in the embodiments of the present disclosure, the in-cell touch control circuit and the AMOLED pixel circuit can be driven in a time division manner by adjusting the timing sequences of the signals without increasing the number of the signals for driving, so that the integration of the in-cell touch control circuit with the AMOLED driving circuit is improved greatly, and it can be realized that the in-cell touch screen panel circuit and the

AMOLED driving circuit are manufactured simultaneously in the limited space of the pixel unit, thus enhancing the quality of the display product significantly and reducing the difficulties in manufacturing the display product.

[0128] It is appreciated for those skilled in the art that all or some of the steps in the method provided in the above embodiments can be implemented by the hardware related to the program instructions, and the program can be stored in the computer readable storage medium, and the steps of the method provided in the embodiments can be carried out when the program is performed; the aforementioned storage medium comprises ROM, RAM, the magnetic disk, optical disk, and any medium capable of storing the program codes.

[0129] It should be appreciated that the above embodiments are only for illustrating the principle of the present disclosure, and in no way limit the scope of the present disclosure. It will be obvious that those skilled in the art may make modifications, variations and equivalences to the above embodiments without departing from the spirit and scope of the present disclosure as defined by the following claims. Such variations and modifications are intended to be included within the spirit and scope of the present disclosure.

1. An AMOLED pixel circuit, characterized by comprising a light-emitting module, a touch control module, a control module, an output module and a driving and amplifying module; wherein

the light-emitting module is connected to the control module and a first voltage terminal, and is used for emitting light for display under a control of the control module;

the touch control module is connected to the control module, a fourth signal line and a second voltage terminal, and is used for receiving a touch control signal as input;

the control module is further connected to a first signal line, a second signal line, a third signal line, and a data line, and is used for controlling the light-emitting module and the touch control module according to signals input from the signal lines, wherein the signal input from the first signal line is generated by delaying the signal input from the fourth signal line for a predetermined time;

the output module is connected to a fifth signal line, the control module and the data line, and is used for outputting the touch control signal to the data line, wherein the signal input from the second signal line is generated by delaying the signal input from the fifth signal line for a predetermined time; and

the driving and amplifying module is connected to the touch control module, the control module and the second voltage terminal, and is used for driving the light-emitting module or amplifying the touch control signal received by the touch control module.

2. The AMOLED pixel circuit of claim 1, characterized in that the light-emitting module comprises a light-emitting element, wherein the light-emitting element has one terminal connected to the control module and the other terminal connected to the first voltage terminal.

3. The AMOLED pixel circuit of claim 2, characterized in that the control module comprises:

a first transistor having a gate connected to the first signal line, and a first electrode connected to the light-emitting element;

a second transistor having a gate connected to the second signal line, and a second electrode connected to the data line;

a third transistor having a gate connected to the first signal line, a first electrode connected to a second electrode of the first transistor, and a second electrode connected to a first electrode of the second transistor; and

a fourth transistor having a gate connected to the third signal line, and a first electrode connected to the second electrode of the first transistor.

4. The AMOLED pixel circuit of claim 3, characterized in that the output module comprises a fifth transistor having a gate connected to the fifth signal line, a first electrode connected to the second electrode of the first transistor, and a second electrode connected to the data line.

5. The AMOLED pixel circuit of claim 4, characterized in that the driving and amplifying module comprises:

a sixth transistor having a gate connected to a second electrode of the fourth transistor, a first electrode connected to the second voltage terminal, and a second electrode connected to the second electrode of the first transistor; and

a storage capacitor having one terminal connected to the first electrode of the second transistor, and the other terminal connected to the second electrode of the fourth transistor.

6. The AMOLED pixel circuit of claim 5, characterized in that the touch control module comprises:

a seventh transistor having a gate connected to the fourth signal line, a first electrode connected to the first electrode of the second transistor, and a second electrode connected to the second voltage terminal;

an eighth transistor having a gate connected to the fourth signal line, and a second electrode connected to the second voltage terminal; and

an optoelectronic diode having an anode connected to a first electrode of the eighth transistor, and a cathode connected to the second electrode of the fourth transistor.

7. The AMOLED pixel circuit of claim 5, characterized in that the touch control module comprises:

a seventh transistor having a gate connected to the fourth signal line, a first electrode connected to the first electrode of the second transistor, and a second electrode connected to the second voltage terminal;

an eighth transistor having a gate connected to the fourth signal line, and a first electrode connected to the second electrode of the fourth transistor; and

a sensing electrode connected to a second electrode of the eighth transistor.

8. The AMOLED pixel circuit of claim 6, characterized in that

the first, second, third, fourth, fifth and sixth transistors are N-type transistors, and the seventh and eighth transistors are P-type transistors; or

the first, second, third, fourth, fifth and sixth transistors are P-type transistors, and the seventh and eighth transistors are N-type transistors.

9. A display device, characterized by comprising the AMOLED pixel circuit of claim 1.

10. A method for driving the AMOLED pixel circuit of claim 1, characterized by comprising:

switching off the light-emitting module, inputting an initialization signal from the data line, and initializing the touch control module and the driving and amplifying module by the control module according to the initialization signal;

receiving the touch control signal by the touch control module;

amplifying the touch control signal by the driving and amplifying module and outputting the amplified touch control signal to the data line via the output module;

inputting the initialization signal from the data line, wherein the initialization signal pre-charges the driving and amplifying module;

switching off the light-emitting module and inputting a data signal from the data line;

switching off the touch control module, switching on the light-emitting module, and driving the light-emitting module by the driving and amplifying module to emit light for display.

11. The method of claim **10**, characterized in that the AMOLED pixel circuit is the AMOLED pixel circuit of claim **6**, the method particularly comprises:

an initialization phase, wherein the first transistor is turned off so that the light-emitting element is switched off, and the second transistor is turned off, the seventh and eighth transistors are turned on so that the touch control module is electrically connected to the gate of the sixth transistor, and the storage capacitor serves as a storage capacitor of the sixth transistor; the third transistor is turned off, the fourth transistor is turned on, the fifth transistor is turned on, and the data line inputs an initialization signal and pre-charges the storage capacitor to a level of the initialization signal;

a touch control phase, wherein the third transistor and the fourth transistor are turned off, the seventh transistor and the eighth transistor are turned on, and the touch control module receives a touch control signal;

a reading phase, wherein the fifth transistor is turned on, and the sixth transistor amplifies the voltage at the gate of the sixth transistor and outputs the amplified voltage to the data line;

a charging phase, wherein the third transistor is turned off, the second, fourth, fifth, seventh and eighth transistors are turned on, the data line inputs the initialization signal so that the storage capacitor is charged;

a writing phase, wherein the third, fourth, fifth, seventh and eighth transistors are turned off, the second transistor is turned on, the data line input a grayscale voltage, and the storage capacitor is discharged to a cut-off state via the sixth transistor;

a light-emitting phase, wherein the second, fourth, and fifth transistors are turned off, the first and third transistors are turned on, and the sixth transistor drives the light-emitting element to emit light for display.

12. The method of claim **10**, characterized in that said receiving the touch control signal by the touch control module comprises:

determining to receive the touch control signal by the touch control module according to quantity of the light received by the optoelectronic diode when a touch operation is performed;

Or determining to receive the touch control signal by the touch control module according to a capacitance value of a sensing capacitor formed between a sensing electrode and a touch terminal of the user when the touch operation is performed.

13. The method of claim **11**, characterized in that the first, second, third, fourth, fifth and sixth transistors are N-type transistors, and the seventh and eighth transistors are P-type transistors; or

the first, second, third, fourth, fifth and sixth transistors are P-type transistors, and the seventh and eighth transistors are N-type transistors.

14. The AMOLED pixel circuit of claim **7**, characterized in that

the first, second, third, fourth, fifth and sixth transistors are N-type transistors, and the seventh and eighth transistors are P-type transistors; or

the first, second, third, fourth, fifth and sixth transistors are P-type transistors, and the seventh and eighth transistors are N-type transistors.

15. The display device of claim **9**, characterized in that the light-emitting module comprises a light-emitting element, wherein the light-emitting element has one terminal connected to the control module and the other terminal connected to the first voltage terminal;

the control module comprises:

a first transistor having a gate connected to the first signal line, and a first electrode connected to the light-emitting element;

a second transistor having a gate connected to the second signal line, and a second electrode connected to the data line;

a third transistor having a gate connected to the first signal line, a first electrode connected to a second electrode of the first transistor, and a second electrode connected to a first electrode of the second transistor; and

a fourth transistor having a gate connected to the third signal line, and a first electrode connected to the second electrode of the first transistor.

16. The display device of claim **15**, characterized in that the output module comprises a fifth transistor having a gate connected to the fifth signal line, a first electrode connected to the second electrode of the first transistor, and a second electrode connected to the data line;

the driving and amplifying module comprises:

a sixth transistor having a gate connected to a second electrode of the fourth transistor, a first electrode connected to the second voltage terminal, and a second electrode connected to the second electrode of the first transistor; and

a storage capacitor having one terminal connected to the first electrode of the second transistor, and the other terminal connected to the second electrode of the fourth transistor.

17. The display device of claim **16**, characterized in that the touch control module comprises:

a seventh transistor having a gate connected to the fourth signal line, a first electrode connected to the first electrode of the second transistor, and a second electrode connected to the second voltage terminal;

an eighth transistor having a gate connected to the fourth signal line, and a second electrode connected to the second voltage terminal; and

an optoelectronic diode having an anode connected to a first electrode of the eighth transistor, and a cathode connected to the second electrode of the fourth transistor.

18. The display device of claim **16**, characterized in that the touch control module comprises:

a seventh transistor having a gate connected to the fourth signal line, a first electrode connected to the first electrode of the second transistor, and a second electrode connected to the second voltage terminal;

an eighth transistor having a gate connected to the fourth signal line, and a first electrode connected to the second electrode of the fourth transistor; and

a sensing electrode connected to a second electrode of the eighth transistor.

19. The method of claim **10**, characterized in that the AMOLED pixel circuit is the AMOLED pixel circuit of claim **7**, the method particularly comprises:

an initialization phase, wherein the first transistor is turned off so that the light-emitting element is switched off, and the second transistor is turned off, the seventh and eighth transistors are turned on so that the touch control module is electrically connected to the gate of the sixth transistor, and the storage capacitor serves as a storage capacitor of the sixth transistor; the third transistor is turned off, the fourth transistor is turned on, the fifth transistor is turned on, and the data line inputs an initialization signal and pre-charges the storage capacitor to a level of the initialization signal;

a touch control phase, wherein the third transistor and the fourth transistor are turned off, the seventh transistor and the eighth transistor are turned on, and the touch control module receives a touch control signal;

a reading phase, wherein the fifth transistor is turned on, and the sixth transistor amplifies the voltage at the gate of the sixth transistor and outputs the amplified voltage to the data line;

a charging phase, wherein the third transistor is turned off, the second, fourth, fifth, seventh and eighth transistors are turned on, the data line inputs the initialization signal so that the storage capacitor is charged;

a writing phase, wherein the third, fourth, fifth, seventh and eighth transistors are turned off, the second transistor is turned on, the data line input a grayscale voltage, and the storage capacitor is discharged to a cut-off state via the sixth transistor;

a light-emitting phase, wherein the second, fourth, and fifth transistors are turned off, the first and third transistors are turned on, and the sixth transistor drives the light-emitting element to emit light for display.

20. The method of claim **19**, characterized in that the first, second, third, fourth, fifth and sixth transistors are N-type transistors, and the seventh and eighth transistors are P-type transistors; or

the first, second, third, fourth, fifth and sixth transistors are P-type transistors, and the seventh and eighth transistors are N-type transistors.

* * * * *