



- (51) International Patent Classification:  
F16C 33/46 (2006.01) B21D 53/12 (2006.01)  
F16C 19/26 (2006.01)
- (21) International Application Number:  
PCT/US2017/063879
- (22) International Filing Date:  
30 November 2017 (30.11.2017)
- (25) Filing Language: English
- (26) Publication Language: English
- (30) Priority Data:  
15/357,104 21 November 2016 (21.11.2016) US
- (71) Applicant: SCHAEFFLER TECHNOLOGIES AG & CO. KG [DE/DE]; Industriestrasse 1-3, 91074 Herzogenaurach (DE).
- (71) Applicant (for PH only): SCHAEFFLER GROUP USA, INC. [US/US]; 308 Springhill Farm Road, Fort Mill, South Carolina 29715 (US).
- (72) Inventors: INCE, Marion; 138 Greendale Drive, Mount Holly, North Carolina 28120 (US). ZHONG, Guihui; 4026 Raven Rock Court, Charlotte, North Carolina 28270 (US).
- (74) Agent: MALISZEWSKI, Chester; 450 Camino del Remedio, Unit I, Santa Barbara, CA 93110 (US).
- (81) Designated States (unless otherwise indicated, for every kind of national protection available): AE, AG, AL, AM, AO, AT, AU, AZ, BA, BB, BG, BH, BN, BR, BW, BY, BZ, CA, CH, CL, CN, CO, CR, CU, CZ, DE, DJ, DK, DM, DO, DZ, EC, EE, EG, ES, FI, GB, GD, GE, GH, GM, GT, HN, HR, HU, ID, IL, IN, IR, IS, JO, JP, KE, KG, KH, KN, KP, KR, KW, KZ, LA, LC, LK, LR, LS, LU, LY, MA, MD, ME, MG, MK, MN, MW, MX, MY, MZ, NA, NG, NI, NO, NZ, OM, PA, PE, PG, PH, PL, PT, QA, RO, RS, RU, RW, SA, SC, SD, SE, SG, SK, SL, SM, ST, SV, SY, TH, TJ, TM, TN, TR, TT, TZ, UA, UG, US, UZ, VC, VN, ZA, ZM, ZW.
- (84) Designated States (unless otherwise indicated, for every kind of regional protection available): ARIPO (BW, GH, GM, KE, LR, LS, MW, MZ, NA, RW, SD, SL, ST, SZ, TZ, UG, ZM, ZW), Eurasian (AM, AZ, BY, KG, KZ, RU, TJ, TM), European (AL, AT, BE, BG, CH, CY, CZ, DE, DK,

(54) Title: RIBBON CAGE AND ROLLER ASSEMBLY AND METHOD THEREOF

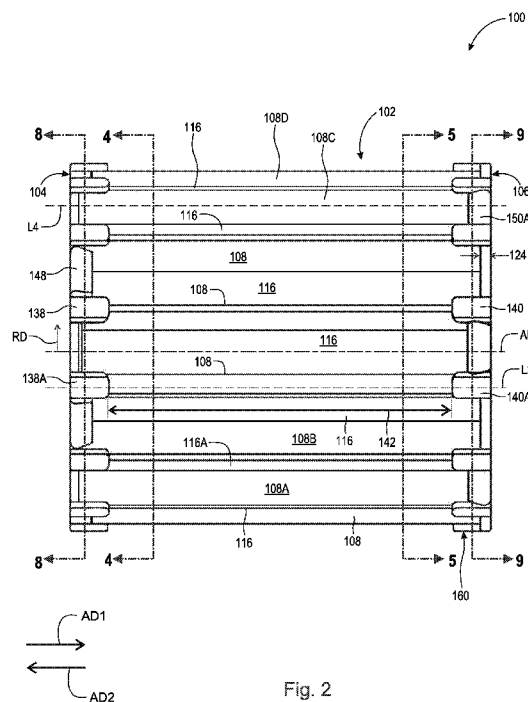


Fig. 2

(57) Abstract: A roller bearing cage, including: an axis of rotation; a body including a plurality of bars, each bar having a length, in a first axial direction parallel to the axis of rotation, a height, in a radial direction orthogonal to the axis of rotation, less than the length and a width, in a circumferential direction, less than the height; and a plurality of spaces, each space circumferentially disposed between a respective pair of circumferentially adjacent bars and arranged to receive a respective roller.



EE, ES, FI, FR, GB, GR, HR, HU, IE, IS, IT, LT, LU, LV,  
MC, MK, MT, NL, NO, PL, PT, RO, RS, SE, SI, SK, SM,  
TR), OAPI (BF, BJ, CF, CG, CI, CM, GA, GN, GQ, GW,  
KM, ML, MR, NE, SN, TD, TG).

**Published:**

- *with international search report (Art. 21(3))*
- *before the expiration of the time limit for amending the claims and to be republished in the event of receipt of amendments (Rule 48.2(h))*
- *with information concerning request for restoration of the right of priority in respect of one or more priority claims (Rules 26bis.3 and 48.2(b)(vii))*

**(88) Date of publication of the international search report:**

28 June 2018 (28.06.2018)

## INTERNATIONAL SEARCH REPORT

International application No.  
**PCT/US2017/063879****A. CLASSIFICATION OF SUBJECT MATTER****F16C 33/46(2006.01)i, F16C 19/26(2006.01)i, B21D 53/12(2006.01)i**

According to International Patent Classification (IPC) or to both national classification and IPC

**B. FIELDS SEARCHED**Minimum documentation searched (classification system followed by classification symbols)  
F16C 33/46; F16C 33/41; F16C 33/50; F16C 33/56; F16C 33/51; F16C 33/38; B21D 53/12; F16C 19/26Documentation searched other than minimum documentation to the extent that such documents are included in the fields searched  
Korean utility models and applications for utility models  
Japanese utility models and applications for utility modelsElectronic data base consulted during the international search (name of data base and, where practicable, search terms used)  
eKOMPASS(KIPO internal) & Keywords: bearing, cage, retainer, bar, end panel, plate, space, roller**C. DOCUMENTS CONSIDERED TO BE RELEVANT**

Category*	Citation of document, with indication, where appropriate, of the relevant passages	Relevant to claim No.
X	US 2002-0081049 A1 (BUARD et al.) 27 June 2002 See paragraphs [0032]-[0041]; claim 1; and figures 1, 5-7.	1-4, 11-12, 14
A		5-10, 13, 15-20
A	WO 2015-091725 A1 (AKTIEBOLAGET SKF) 25 June 2015 See page 9, lines 1-9; and figure 1B.	1-20
A	US 6179474 B1 (PODHAJECKI, STEPHEN T.) 30 January 2001 See claims 1-4; and figures 1-2.	1-20
A	US 2012-0063713 A1 (BEUERLEIN, WERNER) 15 March 2012 See paragraphs [0050]-[0055]; and figures 1-2.	1-20
A	KR 10-2014-0076854 A (JEIL BEARING CO., LTD.) 23 June 2014 See paragraphs [0020]-[0028]; and figures 1, 2a-2f, 5.	1-20

 Further documents are listed in the continuation of Box C. See patent family annex.

\* Special categories of cited documents:

"A" document defining the general state of the art which is not considered to be of particular relevance

"E" earlier application or patent but published on or after the international filing date

"L" document which may throw doubts on priority claim(s) or which is cited to establish the publication date of another citation or other special reason (as specified)

"O" document referring to an oral disclosure, use, exhibition or other means

"P" document published prior to the international filing date but later than the priority date claimed

"T" later document published after the international filing date or priority date and not in conflict with the application but cited to understand the principle or theory underlying the invention

"X" document of particular relevance; the claimed invention cannot be considered novel or cannot be considered to involve an inventive step when the document is taken alone

"Y" document of particular relevance; the claimed invention cannot be considered to involve an inventive step when the document is combined with one or more other such documents, such combination being obvious to a person skilled in the art

"&amp;" document member of the same patent family

Date of the actual completion of the international search

11 May 2018 (11.05.2018)

Date of mailing of the international search report

**11 May 2018 (11.05.2018)**

Name and mailing address of the ISA/KR

International Application Division  
Korean Intellectual Property Office  
189 Cheongsu-ro, Seo-gu, Daejeon, 35208, Republic of Korea

Facsimile No. +82-42-481-8578

Authorized officer

HWANG, Chan Yoon

Telephone No. +82-42-481-3347



**INTERNATIONAL SEARCH REPORT**

Information on patent family members

International application No.

**PCT/US2017/063879**

Patent document cited in search report	Publication date	Patent family member(s)	Publication date
US 2002-0081049 A1	27/06/2002	AT 338218 T	15/09/2006
		DE 60122660 T2	13/09/2007
		EP 1219842 A1	03/07/2002
		EP 1219842 B1	30/08/2006
		FR 2818709 A1	28/06/2002
		FR 2818709 B1	04/04/2003
		US 6837624 B2	04/01/2005
WO 2015-091725 A1	25/06/2015	CN 105899826 A	24/08/2016
		EP 3084239 A1	26/10/2016
		GB 2521395 A	24/06/2015
		US 2017-0023061 A1	26/01/2017
US 6179474 B1	30/01/2001	DE 19853686 A1	27/05/1999
US 2012-0063713 A1	15/03/2012	CN 102356247 A	15/02/2012
		CN 102356247 B	24/05/2017
		DE 102009012241 A1	09/09/2010
		DK 2414691 T3	12/09/2016
		EP 2414691 A2	08/02/2012
		EP 2414691 B1	01/06/2016
		JP 2012-519805 A	30/08/2012
		JP 5672245 B2	18/02/2015
		WO 2010-102603 A2	16/09/2010
WO 2010-102603 A3	11/11/2010		
KR 10-2014-0076854 A	23/06/2014	KR 10-1503574 B1	18/03/2015