

(19) World Intellectual Property Organization
International Bureau



(43) International Publication Date
24 June 2004 (24.06.2004)

PCT

(10) International Publication Number
WO 2004/052074 A3

(51) International Patent Classification⁷: **E06B 3/00**

WALKER, Richard; 3067 Rockton Circle, Hudsonville, MI 49426 (US). **HAYES, Robert**; 90 South Second Avenue, Fruitport, MI 49415 (US).

(21) International Application Number:
PCT/US2003/038070

(74) Agent: **ERSLER, Donald**; 725 Garvens Avenue, Brookfield, WI 53005 (US).

(22) International Filing Date:
2 December 2003 (02.12.2003)

(81) Designated States (*national*): BR, CA, IL, KR.

(25) Filing Language: English

(84) Designated States (*regional*): European patent (AT, BE, BG, CH, CY, CZ, DE, DK, EE, ES, FI, FR, GB, GR, HU, IE, IT, LU, MC, NL, PT, RO, SE, SI, SK, TR).

(26) Publication Language: English

(30) Priority Data:
10/310,358 5 December 2002 (05.12.2002) US

Published:
— with international search report

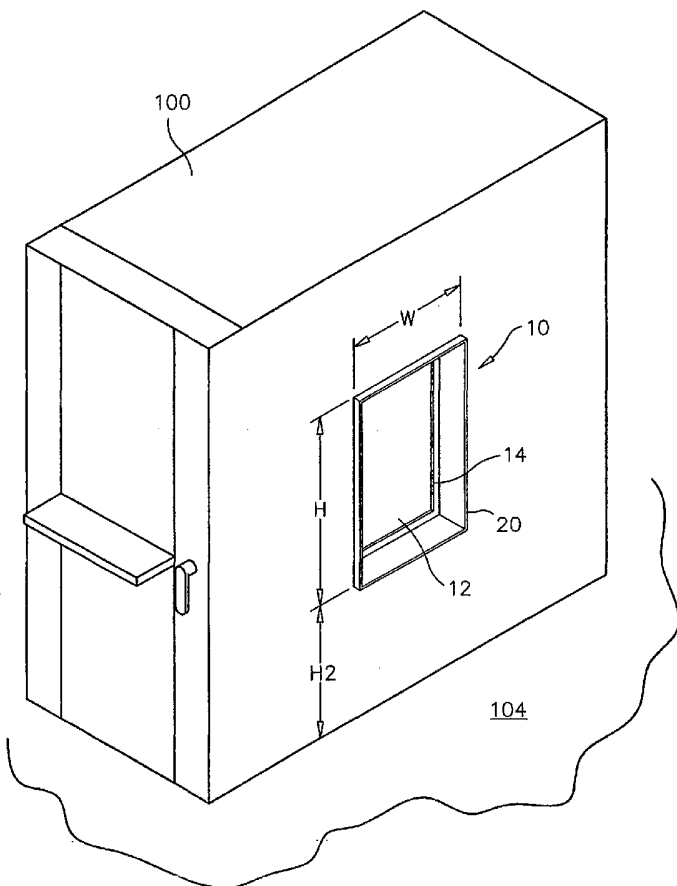
(71) Applicant: **VENTUREDYNE LTD.** [US/US]; 10201 West Lincoln Avenue, Suite 400, Milwaukee, WI 53227 (US).

(88) Date of publication of the international search report:
19 January 2006

(72) Inventors: **SCHULZE, James**; 20 Gate Road, Plymouth, MA 02360 (US). **EWING, Kevin**; 1980 West Lakewood Boulevard, Holland, MI 49424 (US). **PETERSON, Clinton**; 480 Central Avenue, Holland, MI 49423 (US).

For two-letter codes and other abbreviations, refer to the "Guidance Notes on Codes and Abbreviations" appearing at the beginning of each regular issue of the PCT Gazette.

(54) Title: UNIVERSAL ACCESS PORT



(57) Abstract: A universal access port includes a specific size opening that is formed through a wall of a conditioning enclosure and located at a specific distance from a floor or mounting surface. The opening is preferably rectangular in shape, but other shapes may also be used. When not in use, the universal access port is covered with a sealing panel. Insertable devices may be efficiently inserted and removed from the universal access port. A perimeter of the insertable device is sized to be sealably inserted into the universal access port. Each insertable device preferably seals with an exterior and interior wall of the conditioning enclosure. Some insertable devices include fixturing devices, windows, manual manipulation devices, junction devices, hinged access doors, wire access devices, temperature modifying devices or air circulation devices.

WO 2004/052074 A3

INTERNATIONAL SEARCH REPORT

International application No.

PCT/US03/38070

A. CLASSIFICATION OF SUBJECT MATTER

IPC(7) : E06B 3/00
 US CL : 52/208, 173.2, 208; 49/463; 414/217; 454/187

According to International Patent Classification (IPC) or to both national classification and IPC

B. FIELDS SEARCHED

Minimum documentation searched (classification system followed by classification symbols)
 U.S. : 52/208, 173.2, 198, 208; 49/463, 465; 414/217, 217.1; 454/187; 361/675

Documentation searched other than minimum documentation to the extent that such documents are included in the fields searched

Electronic data base consulted during the international search (name of data base and, where practicable, search terms used)
 Please See Continuation Sheet

C. DOCUMENTS CONSIDERED TO BE RELEVANT

Category *	Citation of document, with indication, where appropriate, of the relevant passages	Relevant to claim No.
X, E	US 6,779,567 A (SZATMARY) 24 August 2004 (24.08.2004), column 1, lines 19-21 and column 5, lines 41-47.	1-4, 10-13
X	US 6,120,371 A (ROBERSON, JR. et al.) 19 September 2000 (19.09.2000), column 3, line 52 to column 3, line 2.	1-5, 10-14
X	US 4,949,031 A (SZASZ et al.) 14 August 1990 (14.08.1990), column 6, lines 38-57.	1-5, 10-14

Further documents are listed in the continuation of Box C.

See patent family annex.

* Special categories of cited documents:	"T"
"A" document defining the general state of the art which is not considered to be of particular relevance	later document published after the international filing date or priority date and not in conflict with the application but cited to understand the principle or theory underlying the invention
"E" earlier application or patent published on or after the international filing date	"X" document of particular relevance; the claimed invention cannot be considered novel or cannot be considered to involve an inventive step when the document is taken alone
"L" document which may throw doubts on priority claim(s) or which is cited to establish the publication date of another citation or other special reason (as specified)	"Y" document of particular relevance; the claimed invention cannot be considered to involve an inventive step when the document is combined with one or more other such documents, such combination being obvious to a person skilled in the art
"O" document referring to an oral disclosure, use, exhibition or other means	"&" document member of the same patent family
"P" document published prior to the international filing date but later than the priority date claimed	

Date of the actual completion of the international search

19 August 2005 (19.08.2005)

Date of mailing of the international search report

27 OCT 2005

Name and mailing address of the ISA/US

Mail Stop PCT, Attn: ISA/US
 Commissioner of Patents
 P.O. Box 1450
 Alexandria, Virginia 22313-1450

Authorized officer

Harold Joyce

Telephone No. (703) 308-0861

Facsimile No. (703) 305-3230

INTERNATIONAL SEARCH REPORT

PCT/US03/38070

BOX II. OBSERVATIONS WHERE UNITY OF INVENTION IS LACKING

This application contains the following inventions or groups of inventions which are not so linked as to form a single general inventive concept under PCT Rule 13.1. In order for all inventions to be examined, the appropriate additional examination fees must be paid.

I. Claims 1-18 and 25-27, drawn to a method of providing an insertable device into an opening of an enclosure, classified in claim 454, subclass 237.

II. Claims 19-24, drawn to a method of connecting two enclosures, classified in class 454, subclass 187.

Further, this application contains claims directed to more than one species of the generic invention. These species are deemed to lack unity of invention because they are not so linked as to form a single general inventive concept under PCT Rule 13.1.

In order for more than one species to be examined, the appropriate additional examination fees must be paid. The species are as follows:

- Species i: Figure 4
- Species ii: Figure 5
- Species iii: Figures 7-9
- Species iv: Figures 10 and 11.

The claims are deemed to correspond to the species listed above in the following manner:

- Claims 5, 14 and 24 - Figure 4
- Claims 6, 15 and 25 - Figure 5
- Claims 7, 16 and 26 - Figure 6
- Claims 8 and 17 - Figures 7-9
- Claims 9, 18 and 27 - Figures 10 and 11

The following claim(s) are generic: Claims 1-4, 10-13 and 19-23.

The inventions listed as Groups I and II do not relate to a single general inventive concept under PCT Rule 13.1 because, under PCT Rule 13.2, they lack the same or corresponding special technical features for the following reasons: The combination as claimed does not require particulars of the subcombination as claimed because the junction device does not have to be insertable into another end of an enclosure; and the subcombination has separate utility such as being for a single enclosure.

Continuation of B. FIELDS SEARCHED Item 3:

EAST

transport ADJ port SAME (enclosure OR environment)

mating WITH (enclosure OR environnement) WITH (port OR opening) WITH (transport OR transfer)

Form PCT/ISA/210 (second sheet) (July 1998)

INTERNATIONAL SEARCH REPORT

International application No.

PCT/US03/38070

Box I Observations where certain claims were found unsearchable (Continuation of Item 1 of first sheet)

This international report has not been established in respect of certain claims under Article 17(2)(a) for the following reasons:

1. Claim Nos.:
because they relate to subject matter not required to be searched by this Authority, namely:

2. Claim Nos.:
because they relate to parts of the international application that do not comply with the prescribed requirements to such an extent that no meaningful international search can be carried out, specifically:

3. Claim Nos.:
because they are dependent claims and are not drafted in accordance with the second and third sentences of Rule 6.4(a).

Box II Observations where unity of invention is lacking (Continuation of Item 2 of first sheet)

This International Searching Authority found multiple inventions in this international application, as follows:
Please See Continuation Sheet

1. As all required additional search fees were timely paid by the applicant, this international search report covers all searchable claims.
2. As all searchable claims could be searched without effort justifying an additional fee, this Authority did not invite payment of any additional fee.
3. As only some of the required additional search fees were timely paid by the applicant, this international search report covers only those claims for which fees were paid, specifically claims Nos.:

4. No required additional search fees were timely paid by the applicant. Consequently, this international search report is restricted to the invention first mentioned in the claims; it is covered by claims Nos.: 1-5 and 10-14

Remark on Protest The additional search fees were accompanied by the applicant's protest.
 No protest accompanied the payment of additional search fees.