



- (51) International Patent Classification:
G09F 3/20 (2006.01) *G09F 7/04* (2006.01)
- (21) International Application Number:
PCT/SG2017/050379
- (22) International Filing Date:
26 July 2017 (26.07.2017)
- (25) Filing Language: English
- (26) Publication Language: English
- (30) Priority Data:
10201606956V 22 August 2016 (22.08.2016) SG
- (72) Inventor; and
(71) Applicant: TAN, Ivan [SG/SG]; 38 Chuan Walk, Singapore 558444 (SG).
- (81) Designated States (*unless otherwise indicated, for every kind of national protection available*): AE, AG, AL, AM, AO, AT, AU, AZ, BA, BB, BG, BH, BN, BR, BW, BY, BZ, CA, CH, CL, CN, CO, CR, CU, CZ, DE, DJ, DK, DM, DO, DZ, EC, EE, EG, ES, FI, GB, GD, GE, GH, GM, GT, HN, HR, HU, ID, IL, IN, IR, IS, JO, JP, KE, KG, KH, KN, KP, KR, KW, KZ, LA, LC, LK, LR, LS, LU, LY, MA, MD, ME, MG, MK, MN, MW, MX, MY, MZ, NA, NG, NI, NO, NZ, OM, PA, PE, PG, PH, PL, PT, QA, RO, RS, RU, RW, SA,

SC, SD, SE, SG, SK, SL, SM, ST, SV, SY, TH, TJ, TM, TN, TR, TT, TZ, UA, UG, US, UZ, VC, VN, ZA, ZM, ZW.

- (84) Designated States (*unless otherwise indicated, for every kind of regional protection available*): ARIPO (BW, GH, GM, KE, LR, LS, MW, MZ, NA, RW, SD, SL, ST, SZ, TZ, UG, ZM, ZW), Eurasian (AM, AZ, BY, KG, KZ, RU, TJ, TM), European (AL, AT, BE, BG, CH, CY, CZ, DE, DK, EE, ES, FI, FR, GB, GR, HR, HU, IE, IS, IT, LT, LU, LV, MC, MK, MT, NL, NO, PL, PT, RO, RS, SE, SI, SK, SM, TR), OAPI (BF, BJ, CF, CG, CI, CM, GA, GN, GQ, GW, KM, ML, MR, NE, SN, TD, TG).

Declarations under Rule 4.17:

— *as to the identity of the inventor (Rule 4.17(i))*

Published:

— *with international search report (Art. 21(3))*

(54) Title: BADGE HOLDER WITH LANYARD AND MAGNETIC CLIP

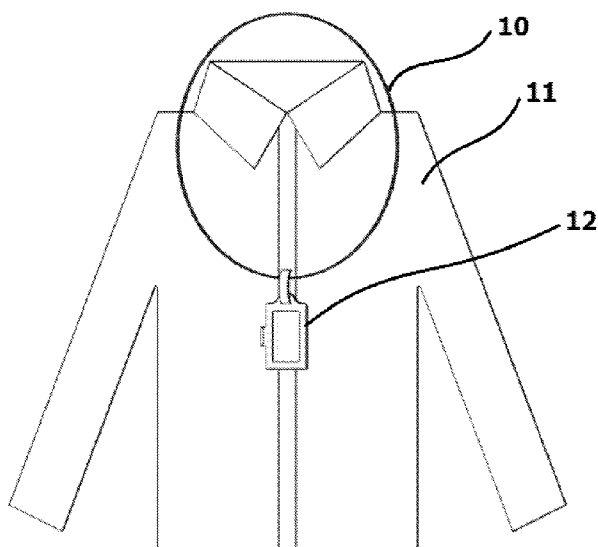


FIG. 1

(57) Abstract: The present invention is a badge holder with a lanyard and magnetic clip, as shown in Fig. 1. This invention will allow the user to simultaneously have the freedom of using the functions of the lanyard, and at the same time have the badge holder not sway around by using the magnetic clip. The clip will keep the badge holder right in front of the user's clothing, providing the user a clean and neat look. The badge holder is easy to fabricate as well, using two pieces of leather, a piece of fabric cloth and two pieces of magnets.



PROVISIONAL PATENT APPLICATION

Badge Holder with Lanyard and Magnetic Clip

BACKGROUND

Field of the Invention:

The present invention is a badge holder with a lanyard and magnetic clip.

Description of the Related Art:

One of the most popular ways to bring around a badge holder is via a lanyard. The user slings the badge holder around the user's neck via a lanyard. Some user like the option of latching keys and other items together with the badge holder for convenience. These action may cause the badge holder to rattle or get in the way of the user. One solution many users use is to put their badges in one's shirt pocket while the lanyard is still around their necks. This solution only works if the attire has a breast pocket.

One other way to bring around a badge holder is via a badge holder with magnetic plates. However, much effort is needed whenever one needs to bring their badge close to any mounted badge sensor.

US Patent 2006/0282993A1 describes an attachable magnetic clip and system for an identification badge; however, the application was general in its usage and it was not specific on how it can be used.

SUMMARY

One objective of this invention is to allow the user to utilize both the benefits of a badge holder on a lanyard, and the magnetic features on the typical badge holder with magnetic plates.

This invention allows users to easily scan their badges onto wall mounted sensors easily while not letting the badge sway around the user's neck.

This invention allows user with no breast pockets to keep their badge holders from swaying while their badge holder hangs around the user's neck on a lanyard by clipping their badge in between the clothing's buttons.

BRIEF DESCRIPTION OF THE DRAWINGS

This invention combines these two ways people carry their badge holders so that one can easily scan his or her badge onto any mounted scanner while not let the badge sway around one's neck.

FIG. 1 shows a typical user using the badge holder. The user will use the lanyard in connection with the magnetic clip to carry the badge holder. To prevent the badge holder from swaying, the user can clip the badge holder onto one's clothing.

FIG. 2 is a section view showing that the clip sandwiches the fabric of the clothes to prevent it from swaying. The clip's width is small enough that it is able to insert in between two buttons.

FIG. 3 shows that the clip is an extension of the badge holder and it contains a magnet. The badge holder has a magnet as well, and these two magnets act as the clip for the badge holder.

DETAILED DESCRIPTION

The present invention provides a magnetic clip to a badge holder with a lanyard attached to it. **FIG. 1** shows a typical user using the badge holder **12**. The user will use the lanyard **10** in connection with the magnetic clip to carry the badge holder **12**. To prevent the badge holder **12** from swaying, the user can clip the badge holder **12** onto one's clothing **11**.

FIG. 2 shows the magnetic clip's **22** width is small enough to be inserted between two buttons on one's clothing **11** as shown in. The magnetic clip **22** will prevent the badge holder **12** from swaying when the badge holder **12** is being hung around the user's neck via a lanyard **10**.

FIG. 3 shows that the clip is an extension of the badge holder **12** and it contains a magnet. The badge holder **12** has a magnet as well, and these two magnets **20 21** are the locking mechanism for the clip **22** of the badge holder **12**. The faces of the two magnets **20 21** when faced together, as shown in **FIG. 3** are to be of different polarizations. This is so that the two magnets **20 21** will be attracted to one another and can act as the locking mechanism.

The badge holder **12** is preferable made primarily from two pieces of leather **43 45**, and a piece of fabric cloth **44** that are all stitched together with threads **42**. Magnet **21** is stitched in between the two pieces of leather **43 45** and are held in place by the stitches of the threads **42**. Magnet **22** is stitched between the piece of fabric cloth **44** and the piece of leather **43**. The threads **41** that stitch the leather piece **43** and fabric cloth **44**, help to keep Magnet **22** in place. The two pieces of leather **43 45** may be made from other types of fabric cloth as well.

Clip **22** will be an extension of the badge holder **12**, which is the extension of the two pieces of leather **43 45**. and it may be cut out from the same leather with the badge holder **12**.

The clip **22** may also be an added or detachable component for the badge holder **12**.

CLAIMS

1. A badge holder with a magnetic clip and lanyard comprising
 - a. a typical badge holder for lanyard with an additional clip behind the badge holder.
 - b. A clip with a magnet in it or is made from magnet.
 - c. A magnet behind the badge holder that will attract the magnet in the clip/magnetic clip.
The magnet behind the badge holder is of a different polar from the magnet in the clip/magnetic clip.
2. The clip function according to claim 1 may be made from magnetic material so that a magnet is not necessary needed to be placed in the clip.
3. The typical badge holder according to claim 1 is made from leather.
4. The typical badge holder according to claim 1 is made from fabric.
5. The typical badge holder according to claim 1 is made from plastic.
6. The typical badge holder according to claim 1, holds the badge in portrait position.
7. The typical badge holder according to claim 1, holds the badge in landscape position.
8. The typical badge holder according to claim 1, is able to hold the badge in either portrait or landscape position.
9. The magnets according to claim 1 will keep the badge in place by sandwiching the fabric of one's clothing.
10. The clip according to claim 1 consists of one or more magnets.
11. The badge holder according to claim 1 consists of one or more magnets.
12. The magnet behind the badge holder according to claim 1 is detachable.
13. The clip according to claim 1 is detachable.
14. The magnet behind the badge holder according to claim 1 is detachable via one or more buttons.
15. The clip according to claim 1 is detachable via one or more buttons.
16. The magnet behind the badge holder according to claim 1 is detachable via one or more hook and loop tapes.
17. The clip according to claim 1 is detachable via one or more hook and loop tapes.
18. The clip according to claim 1 is adjustable so that it can be on either sides of the badge holder.
19. The clip according to claim 1 is adjustable so that it can be on either sides of the badge holder via a button.
20. The clip according to claim 1 is adjustable so that it can be on either sides of the badge holder via a pin system.
21. The clip according to claim 1 is adjustable so that it can be on either sides of the badge holder via a hinge system.
22. The clip according to claim 1 is adjustable so that it can be on either sides of the badge holder via a detachable and attachable method.
23. The width of the clip according to claim 1 is small enough to slip in between the buttons of the clothing.

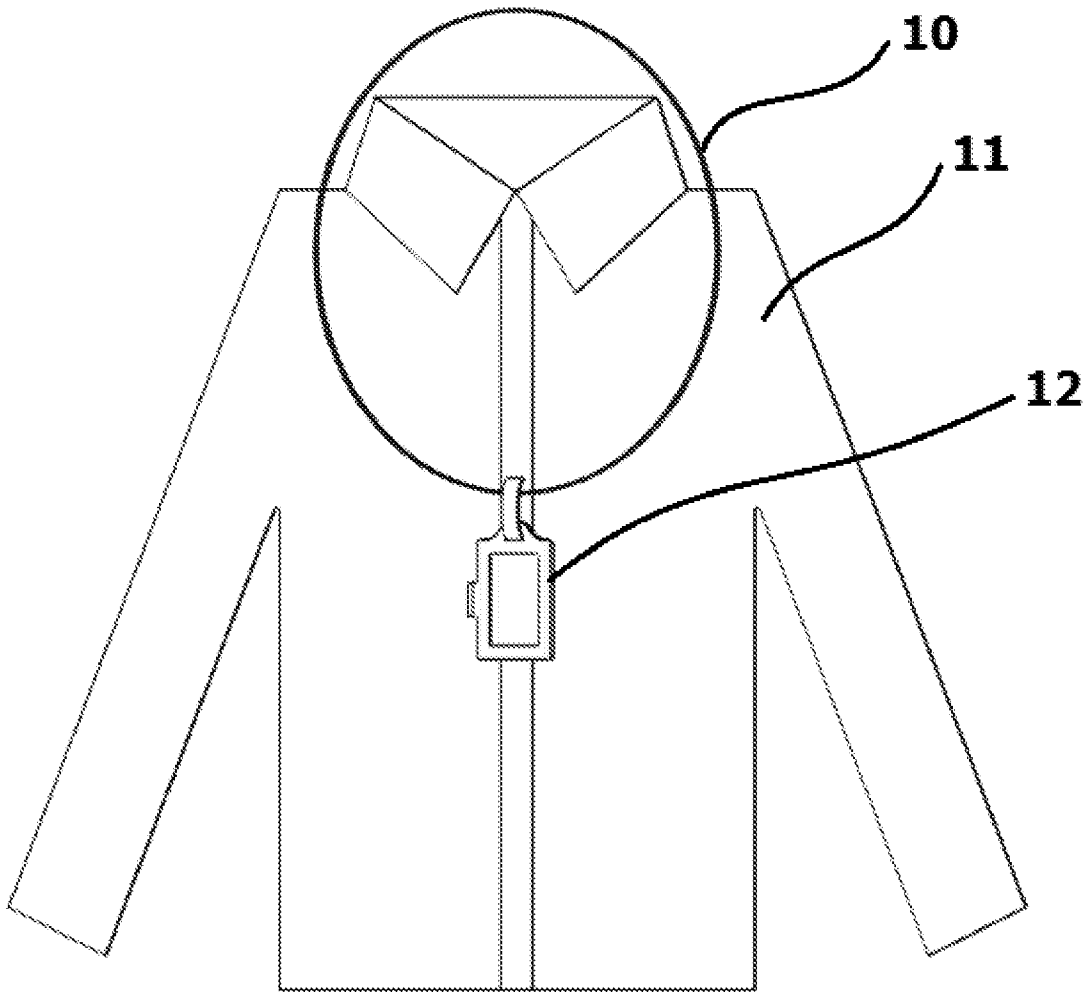


FIG. 1

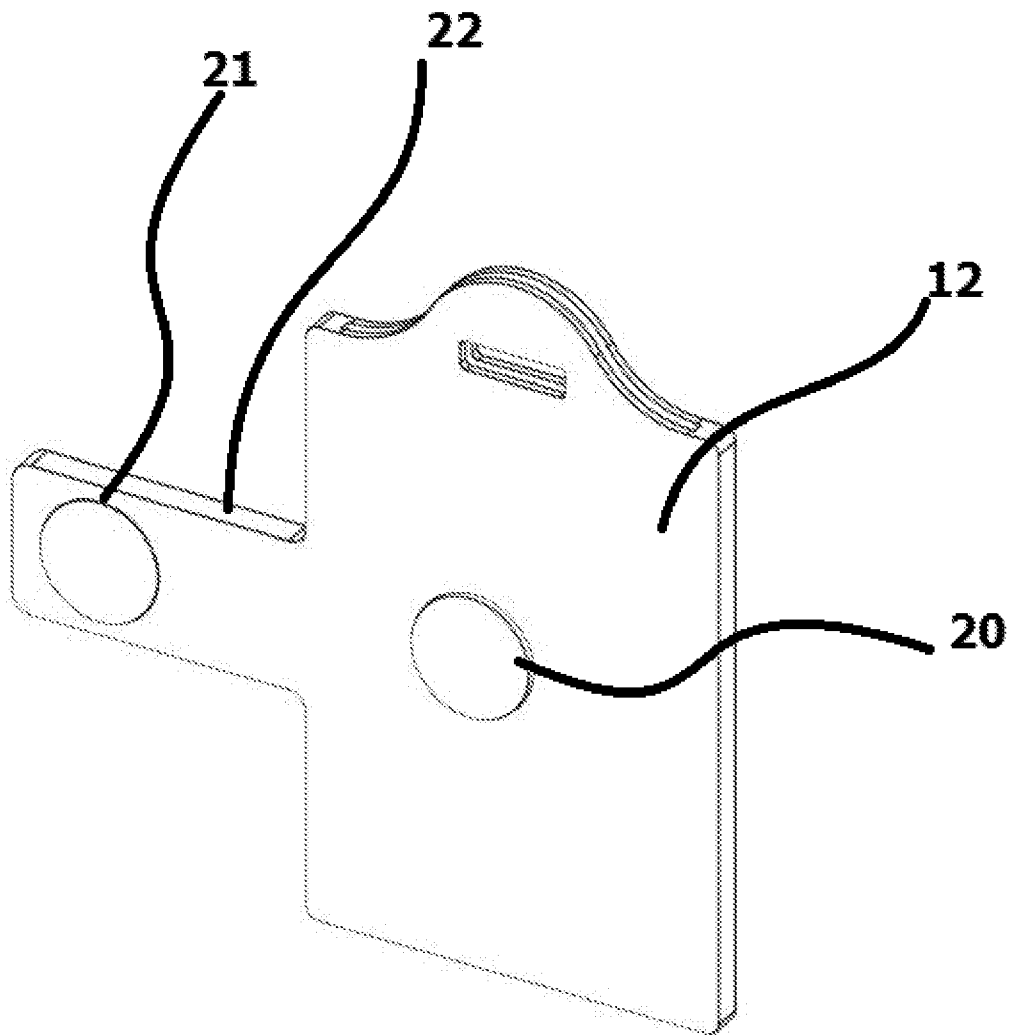


FIG. 2

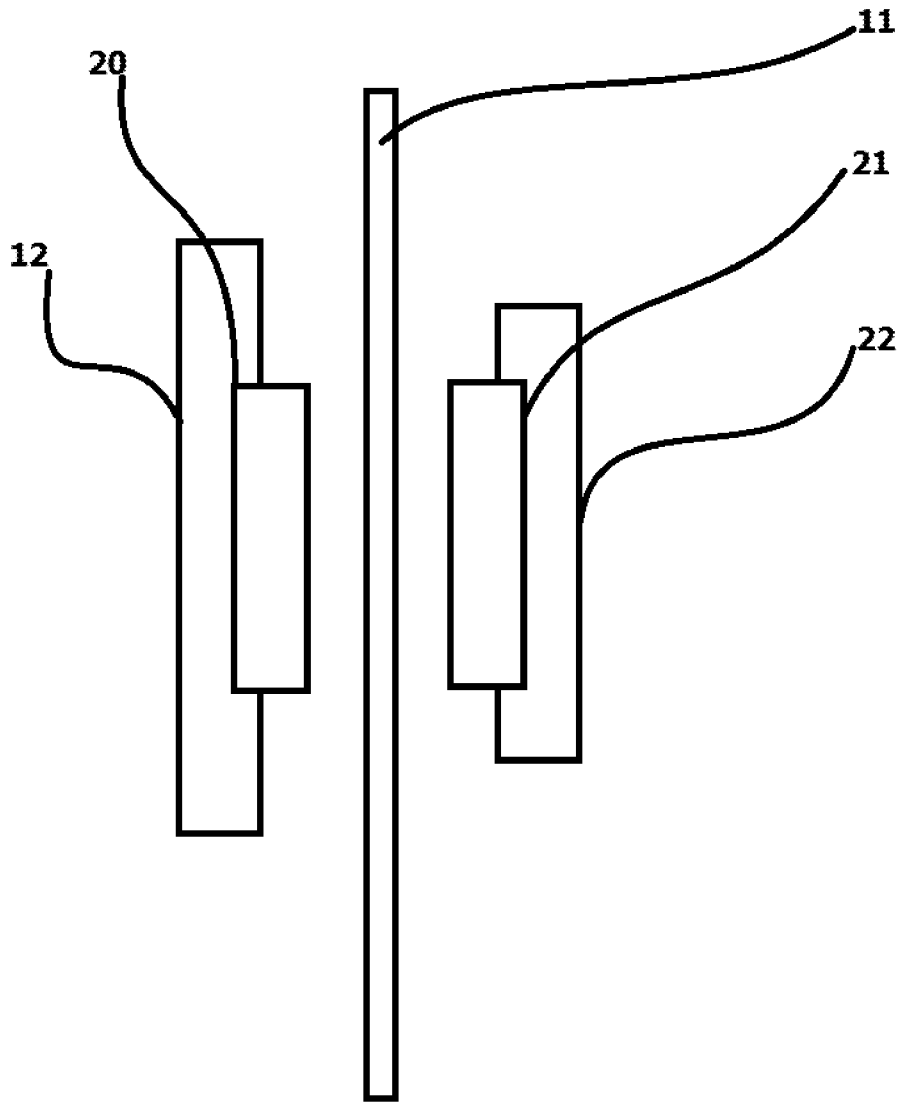


FIG. 3

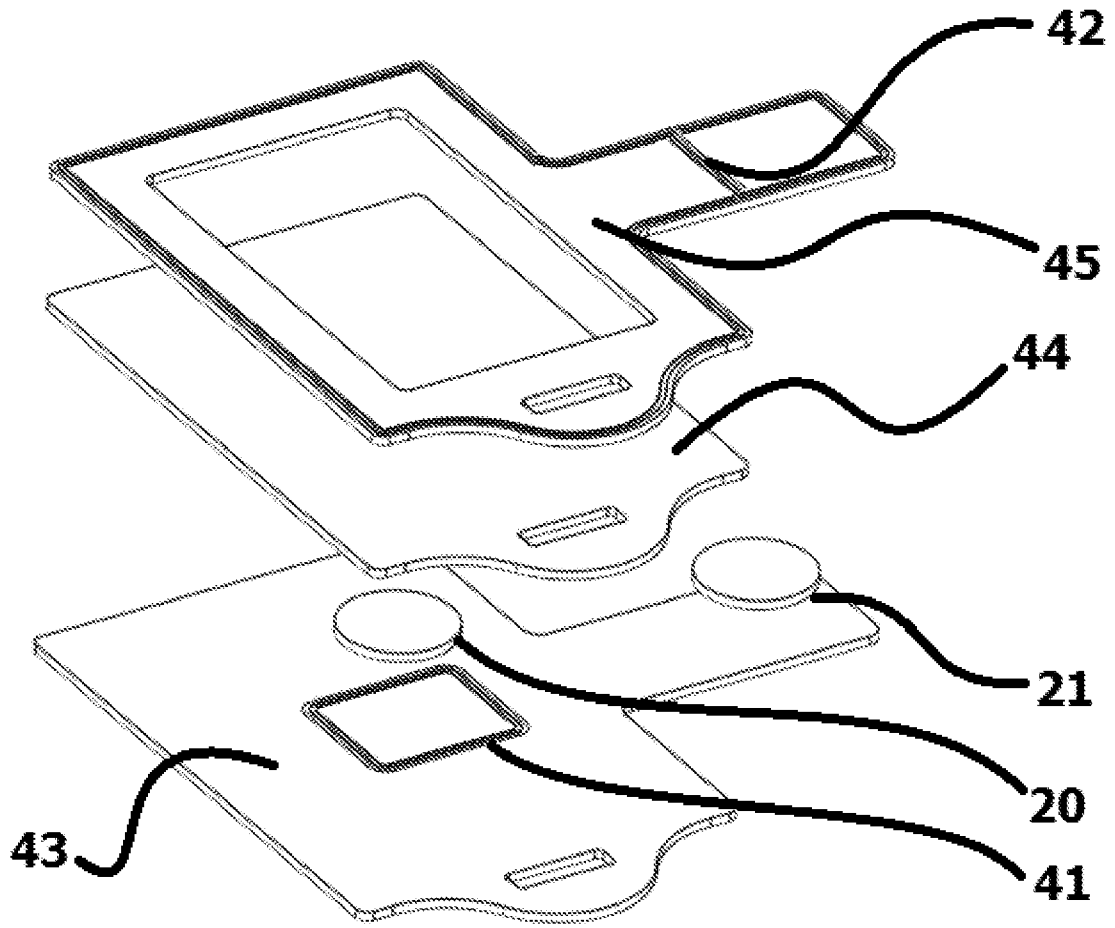


FIG. 4

A. CLASSIFICATION OF SUBJECT MATTER**G09F 3/20(2006.01)i, G09F 7/04(2006.01)i**

According to International Patent Classification (IPC) or to both national classification and IPC

B. FIELDS SEARCHEDMinimum documentation searched (classification system followed by classification symbols)
G09F 3/20; G09F 3/14; G09F 7/04; G09F 3/18; G09F 7/14; A44B 1/04; G09F 7/00Documentation searched other than minimum documentation to the extent that such documents are included in the fields searched
Korean utility models and applications for utility models
Japanese utility models and applications for utility modelsElectronic data base consulted during the international search (name of data base and, where practicable, search terms used)
eKOMPASS(KIPO internal) & Keywords: badge holder, clip, magnet, prevent swaying**C. DOCUMENTS CONSIDERED TO BE RELEVANT**

Category*	Citation of document, with indication, where appropriate, of the relevant passages	Relevant to claim No.
Y	US 6684544 B1 (BRUCE J. BUETTELL) 03 February 2004 See column 2, lines 8-20, 46-59 and figures 1-6.	1-23
Y	KR 10-2013-0002901 A (HAE YEON LEE) 08 January 2013 See paragraph [0006] and figure 1.	1-23
A	KR 20-2013-0003183 U (SUNG GYUN NOH) 29 May 2013 See paragraphs [0029]-[0032] and figure 1.	1-23
A	US 2006-0282993 A1 (DAN L. DIETZ) 21 December 2006 See paragraphs [0050], [0051] and figures 7-9.	1-23
A	KR 20-2006-0000165 U (KYUNG HA SHIN) 21 December 2006 See the whole document.	1-23

 Further documents are listed in the continuation of Box C. See patent family annex.

* Special categories of cited documents:

"A" document defining the general state of the art which is not considered to be of particular relevance

"E" earlier application or patent but published on or after the international filing date

"L" document which may throw doubts on priority claim(s) or which is cited to establish the publication date of another citation or other special reason (as specified)

"O" document referring to an oral disclosure, use, exhibition or other means

"P" document published prior to the international filing date but later than the priority date claimed

"T" later document published after the international filing date or priority date and not in conflict with the application but cited to understand the principle or theory underlying the invention

"X" document of particular relevance; the claimed invention cannot be considered novel or cannot be considered to involve an inventive step when the document is taken alone

"Y" document of particular relevance; the claimed invention cannot be considered to involve an inventive step when the document is combined with one or more other such documents, such combination being obvious to a person skilled in the art

"&" document member of the same patent family

Date of the actual completion of the international search

06 December 2017 (06.12.2017)

Date of mailing of the international search report

06 December 2017 (06.12.2017)

Name and mailing address of the ISA/KR

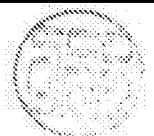
International Application Division
Korean Intellectual Property Office
189 Cheongsa-ro, Seo-gu, Daejeon, 35208, Republic of Korea

Facsimile No. +82-42-481-8578

Authorized officer

LEE, Dong Wook

Telephone No. +82-42-481-8163



INTERNATIONAL SEARCH REPORT

Information on patent family members

International application No.

PCT/SG2017/050379

Patent document cited in search report	Publication date	Patent family member(s)	Publication date
US 6684544 B1	03/02/2004	None	
KR 10-2013-0002901 A	08/01/2013	None	
KR 20-2013-0003183 U	29/05/2013	KR 10-1408272 B1	16/06/2014
US 2006-0282993 A1	21/12/2006	US 2006-0282989 A1	21/12/2006
KR 20-2006-0000165 U	21/12/2006	None	