



(51) International Patent Classification:

A47J 27/04 (2006.01) H05B 6/64 (2006.01)
F25D 23/02 (2006.01) G07F 17/00 (2006.01)
G07F 11/54 (2006.01)

(21) International Application Number:

PCT/US2023/068734

(22) International Filing Date:

20 June 2023 (20.06.2023)

(25) Filing Language:

English

(26) Publication Language:

English

(30) Priority Data:

202210415367.4 20 April 2022 (20.04.2022) CN

(71) Applicant: **YO-KAI EXPRESS INC.** [US/US]; 3501
Breakwater Ct, Hayward, California 94545 (US).

(72) Inventors: **XU, Xiong**; No. 128, Jinxiu Road, Luoxing In-
dustrial District, Jiashan County, Zhejiang 314100 (CN).
LIN, Chih Hung; 3501 Breakwater Ct, Hayward, Califor-
nia 94545 (US).

(74) Agent: **HSU, Greg (Cheng-Kang)**; c/o Birch, Stewart, Ko-
lasch & Birch, 8110 Gatehouse Road, Suite 100 East, Falls
Church, Virginia 22042 (US).

(81) Designated States (unless otherwise indicated, for every
kind of national protection available):

AE, AG, AL, AM, AO, AT, AU, AZ, BA, BB, BG, BH, BN, BR, BW, BY, BZ, CA, CH, CL, CN, CO, CR, CU, CV, CZ, DE, DJ, DK, DM, DO, DZ, EC, EE, EG, ES, FI, GB, GD, GE, GH, GM, GT, HN, HR, HU, ID, IL, IN, IQ, IR, IS, IT, JM, JO, JP, KE, KG, KH, KN, KP, KR, KW, KZ, LA, LC, LK, LR, LS, LU, LY, MA, MD, MG, MK, MN, MU, MW, MX, MY, MZ, NA, NG, NI, NO, NZ, OM, PA, PE, PG, PH, PL, PT, QA, RO, RS, RU, RW, SA, SC, SD, SE, SG, SK, SL, ST, SV, SY, TH, TJ, TM, TN, TR, TT, TZ, UA, UG, US, UZ, VC, VN, WS, ZA, ZM, ZW.

(84) Designated States (unless otherwise indicated, for every
kind of regional protection available):

ARIPO (BW, CV, GH, GM, KE, LR, LS, MW, MZ, NA, RW, SC, SD, SL, ST, SZ, TZ, UG, ZM, ZW), Eurasian (AM, AZ, BY, KG, KZ, RU, TJ, TM), European (AL, AT, BE, BG, CH, CY, CZ, DE, DK, EE, ES, FI, FR, GB, GR, HR, HU, IE, IS, IT, LT, LU, LV, MC, ME, MK, MT, NL, NO, PL, PT, RO, RS, SE, SI, SK, SM, TR), OAPI (BF, BJ, CF, CG, CI, CM, GA, GN, GQ, GW, KM, ML, MR, NE, SN, TD, TG).

(54) Title: QUICK-FROZEN NOODLE UNFREEZING, COOKING AND VENDING MACHINE

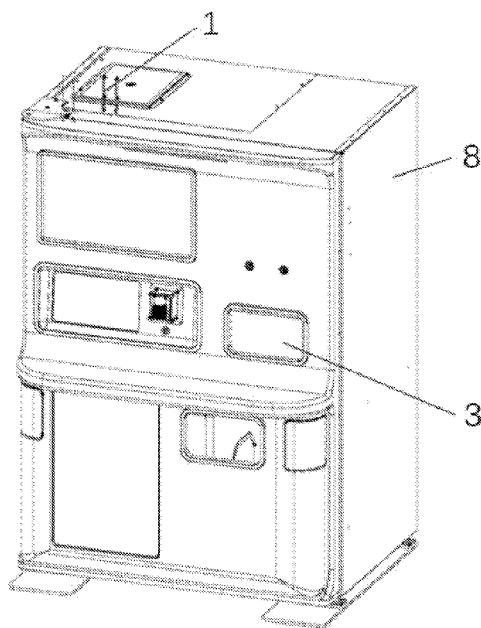


FIG. 1

(57) Abstract: The present application discloses a quick-frozen noodle unfreezing, cooking and vending machine, including a cabinet, a freezer chest and a mechanical arm. The cabinet is provided with a product dispenser port. The freezer chest is disposed in the cabinet. The mechanical arm is disposed in the cabinet. The cabinet is provided with a product dispenser door. A steam boiler, a water storage mechanism and an injection rod are further included. The steam boiler is disposed in the cabinet. The water storage mechanism is disposed in the cabinet and is connected to the steam boiler. The injection rod is movably disposed in the cabinet. The present invention provides the following effects: quick-frozen noodles are unfreezed by steam, moisture in the noodles is not lost during the unfreezing process, and the unfreezed noodles have good elasticity and provide good texture for chewing.



Published:

- *with international search report (Art. 21(3))*
- *before the expiration of the time limit for amending the claims and to be republished in the event of receipt of amendments (Rule 48.2(h))*
- *with information concerning request for restoration of the right of priority in respect of one or more priority claims (Rules 26bis.3 and 48.2(b)(vii))*

(88) Date of publication of the international search report:

21 December 2023 (21.12.2023)

INTERNATIONAL SEARCH REPORT

International application No.

PCT/US2023/068734

A. CLASSIFICATION OF SUBJECT MATTER

IPC(8) - INV. - A47J 27/04; F25D 23/02; G07F 11/54; H05B 6/64 (2023.01)

ADD. - G07F 17/00 (2023.01)

CPC - INV. - A47J 27/04, 27/004; F25D 23/02; G07F 11/54; H05B 6/6479 (2023.08)

ADD. - A47J 2027/043; G07F 17/0085; H05B 2206/044 (2023.08)

According to International Patent Classification (IPC) or to both national classification and IPC

B. FIELDS SEARCHED

Minimum documentation searched (classification system followed by classification symbols)

See Search History document

Documentation searched other than minimum documentation to the extent that such documents are included in the fields searched

See Search History document

Electronic database consulted during the international search (name of database and, where practicable, search terms used)

See Search History document

C. DOCUMENTS CONSIDERED TO BE RELEVANT

Category*	Citation of document, with indication, where appropriate, of the relevant passages	Relevant to claim No.
Y	✓ CN 113243757 B (SHENZHEN XIEHOU TECHNOLOGY CO LTD) 01 October 2021 (01.10.2021) entire document	1-16
Y	✓ CN 205983656 U (WEI et al.) 22 February 2017 (22.02.2017) entire document	1-16
Y	US 2008/0092749 A1 (KIM) 24 April 2008 (24.04.2008) entire document	2
Y	✓ CN 210721666 U (SHENZHEN DAOZHONG INNOVATION TECHNOLOGY CO LTD.) 09 June 2020 (09.06.2020) entire document	5, 6, 9
Y	US 2018/0308307 A1 (NOODLE TIME HOLDINGS LIMITED) 25 October 2018 (25.10.2018) entire document	7
Y	US 5,240,139 A (CHIRNOMAS) 31 August 1993 (31.08.1993) entire document	10
Y	US 2021/0259452 A1 (MEYER INTELLECTUAL PROPERTIES LIMITED et al.) 26 August 2021 (26.08.2021) entire document	13
Y	US 2020/0288545 A1 (SUGAR CREEK PACKING CO.) 10 September 2020 (10.09.2020) entire document	14
Y	US 2020/0090444 A1 (PEPSICO INC.) 19 March 2020 (19.03.2020) entire document	16
P, X	✓ CN 114821907 A (ZHEJIANG JIAFENG ELECTRICAL & MECHANICAL CO LTD) 29 July 2022 (29.07.2022) entire document	1-16

 Further documents are listed in the continuation of Box C. See patent family annex.

* Special categories of cited documents:

"A" document defining the general state of the art which is not considered to be of particular relevance

"D" document cited by the applicant in the international application

"E" earlier application or patent but published on or after the international filing date

"L" document which may throw doubts on priority claim(s) or which is cited to establish the publication date of another citation or other special reason (as specified)

"O" document referring to an oral disclosure, use, exhibition or other means

"P" document published prior to the international filing date but later than the priority date claimed

"T" later document published after the international filing date or priority date and not in conflict with the application but cited to understand the principle or theory underlying the invention

"X" document of particular relevance; the claimed invention cannot be considered novel or cannot be considered to involve an inventive step when the document is taken alone

"Y" document of particular relevance; the claimed invention cannot be considered to involve an inventive step when the document is combined with one or more other such documents, such combination being obvious to a person skilled in the art

"&" document member of the same patent family

Date of the actual completion of the international search

04 October 2023

Date of mailing of the international search report

NOV 06 2023

Name and mailing address of the ISA/

Mail Stop PCT, Attn: ISA/US, Commissioner for Patents

P.O. Box 1450, Alexandria, VA 22313-1450

Facsimile No. 571-273-8300

Authorized officer

Taina Matos

Telephone No. PCT Helpdesk: 571-272-4300