



US0D1026107S

(12) **United States Design Patent**
Wang

(10) **Patent No.:** **US D1,026,107 S**

(45) **Date of Patent:** **** May 7, 2024**

(54) **ELECTRIC SCOOTER**

(71) Applicant: **Xiaozhen Wang**, Huazhou (CN)

(72) Inventor: **Xiaozhen Wang**, Huazhou (CN)

(**) Term: **15 Years**

(21) Appl. No.: **29/929,667**

(22) Filed: **Feb. 23, 2024**

(51) **LOC (14) Cl.** **12-11**

(52) **U.S. Cl.**
USPC **D21/423**

(58) **Field of Classification Search**
USPC D21/419, 421, 423, 424, 435; D12/107,
D12/110, 111
CPC B62K 11/02; B62K 15/006; B62L 3/00;
B62J 15/00
See application file for complete search history.

(56) **References Cited**

U.S. PATENT DOCUMENTS

6,270,097	B1 *	8/2001	Lin	B62K 15/006 280/87.041
6,286,843	B1 *	9/2001	Lin	A63C 17/014 280/11.28
6,428,021	B1 *	8/2002	Tung	B62K 15/006 280/87.041
6,604,593	B1 *	8/2003	Mullet	A63C 17/20 180/181
D672,400	S *	12/2012	Pizzi	D21/423
D698,868	S *	2/2014	Chan	D21/423
9,162,724	B2 *	10/2015	Desberg	A63G 17/00
D748,738	S *	2/2016	Hadley	D21/423
D774,145	S *	12/2016	Hadley	D21/423
D810,836	S *	2/2018	Hadley	D21/423
D839,359	S	1/2019	Hadley		
D843,483	S *	3/2019	Wu	D21/423
D872,192	S *	1/2020	Hadley	D21/423
D879,884	S *	3/2020	Desberg	D21/423
10,926,829	B2 *	2/2021	McGowan	B62K 21/18
D914,102	S *	3/2021	Hadley	D21/423

D956,143	S *	6/2022	Xie	D21/423
D967,275	S *	10/2022	McGowan	D21/423
D995,651	S *	8/2023	Hadley	D21/423
D1,014,644	S *	2/2024	Wang	D21/423

(Continued)

OTHER PUBLICATIONS

“D-Fly Dragonfly Is A Four-Wheel Carbon E-Scooter With A 50-Mile Range” [online]. Sam D. Smith. [Published Sep. 28, 2022]. Retrieved from the Internet: <<https://www.carscoops.com/2022/09/embargo-9-28-700-pm-et-d-fly-dragonfly-is-a-four-wheeled-carbon-e-scooter-with-an-80-km-range/>>.*

(Continued)

Primary Examiner — Mojtaba Tehrani

(74) *Attorney, Agent, or Firm* — Jeenam Park

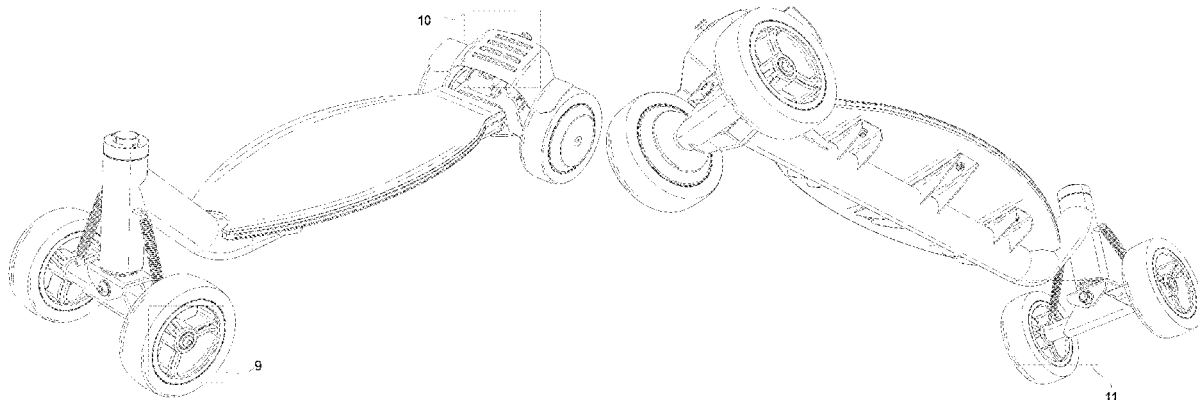
(57) **CLAIM**

The ornamental design for an electric scooter, as shown and described.

DESCRIPTION

FIG. 1 is a front, right and bottom perspective view of electric scooter, showing my new design; FIG. 2 is a rear, left and top perspective view thereof; FIG. 3 is a front view thereof; FIG. 4 is a rear view thereof; FIG. 5 is a top plan view thereof; FIG. 6 is a bottom plan view thereof; FIG. 7 is a left side view thereof; FIG. 8 is a right side view thereof; FIG. 9 is an enlarged view of portion of FIG. 1 thereof; FIG. 10 is an enlarged view of portion of FIG. 1 thereof; and, FIG. 11 is an enlarged view of portion of FIG. 2 thereof. The evenly broken lines disclose unclaimed portions of the electric scooter; the dash-dot type broken lines disclose unclaimed boundaries of the isolated views; the broken lines form no part of the claimed design.

1 Claim, 11 Drawing Sheets



(56)

References Cited

U.S. PATENT DOCUMENTS

D1,016,922 S * 3/2024 Xie D21/423
2009/0160150 A1 * 6/2009 Johnson B62K 15/006
280/87.041
2009/0241723 A1 * 10/2009 Wang B62K 3/002
74/551.3
2010/0123295 A1 * 5/2010 Landau A63C 17/1436
280/87.042
2015/0114167 A1 * 4/2015 Desberg B62J 33/000
74/551.9
2015/0133253 A1 * 5/2015 Huang B60K 7/0007
475/149
2017/0182398 A1 * 6/2017 Garcia Elena A63C 17/012
2018/0162476 A1 * 6/2018 Yan B62K 15/006
2018/0185739 A1 * 7/2018 McGowan A63C 17/012
2020/0156728 A1 * 5/2020 Mazoyer B62K 21/24
2021/0053647 A1 * 2/2021 Wang B62K 5/007
2022/0009582 A1 * 1/2022 McGowan B62K 3/002
2022/0204113 A1 * 6/2022 Wang B62K 5/10

OTHER PUBLICATIONS

“I rode this crazy 4-wheel offroad scooter—but is it worth \$4,000?”
[online]. Mike Prospero. [Published May 24, 2023]. Retrieved from
the Internet: <<https://www.tomsguide.com/features/i-rode-this-crazy-4-wheel-offroad-scooter-but-is-it-worth-dollar4000>>.*
“Zebra09: All-Weather Urban Commuting 4Wheel Electric Scooter”
[online]. kickstarter.com. [Retrieved Mar. 18, 2024]. Retrieved from
the Internet: <<https://www.kickstarter.com/projects/zebramobility/zebra09-all-weather-urban-commuting-4wheel-electric-scooter>>.*

* cited by examiner

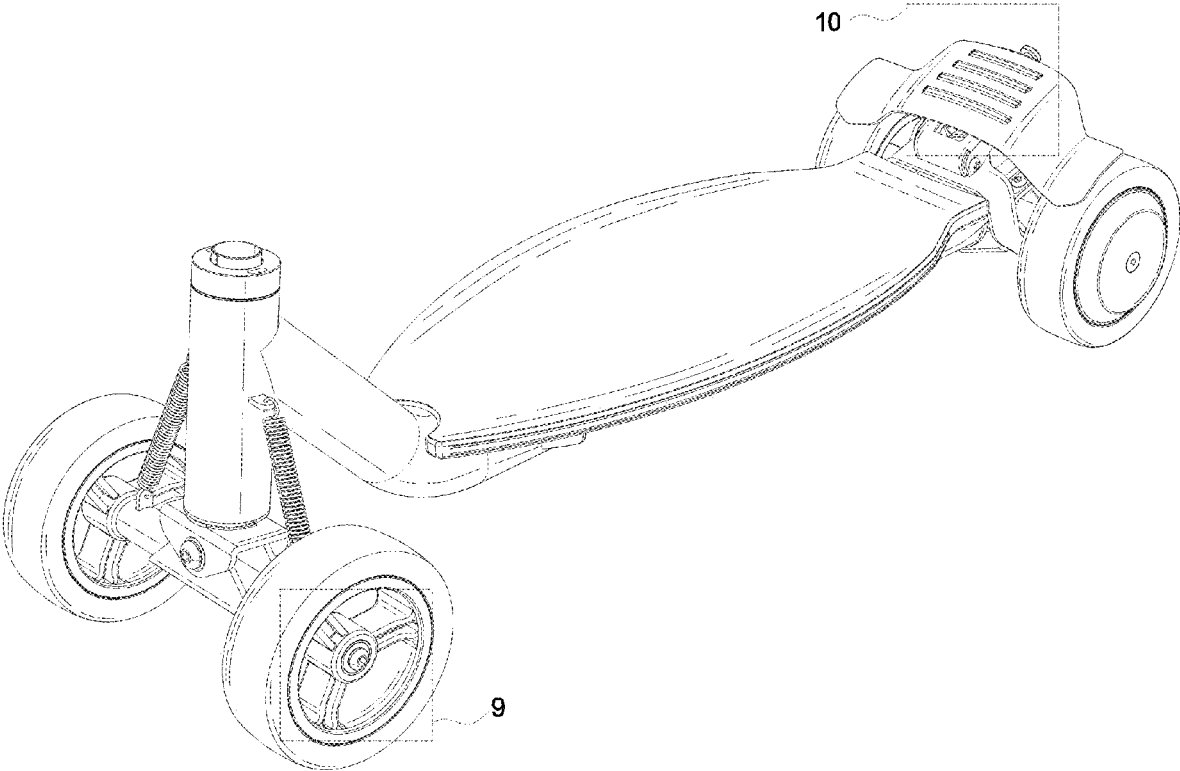


FIG. 1

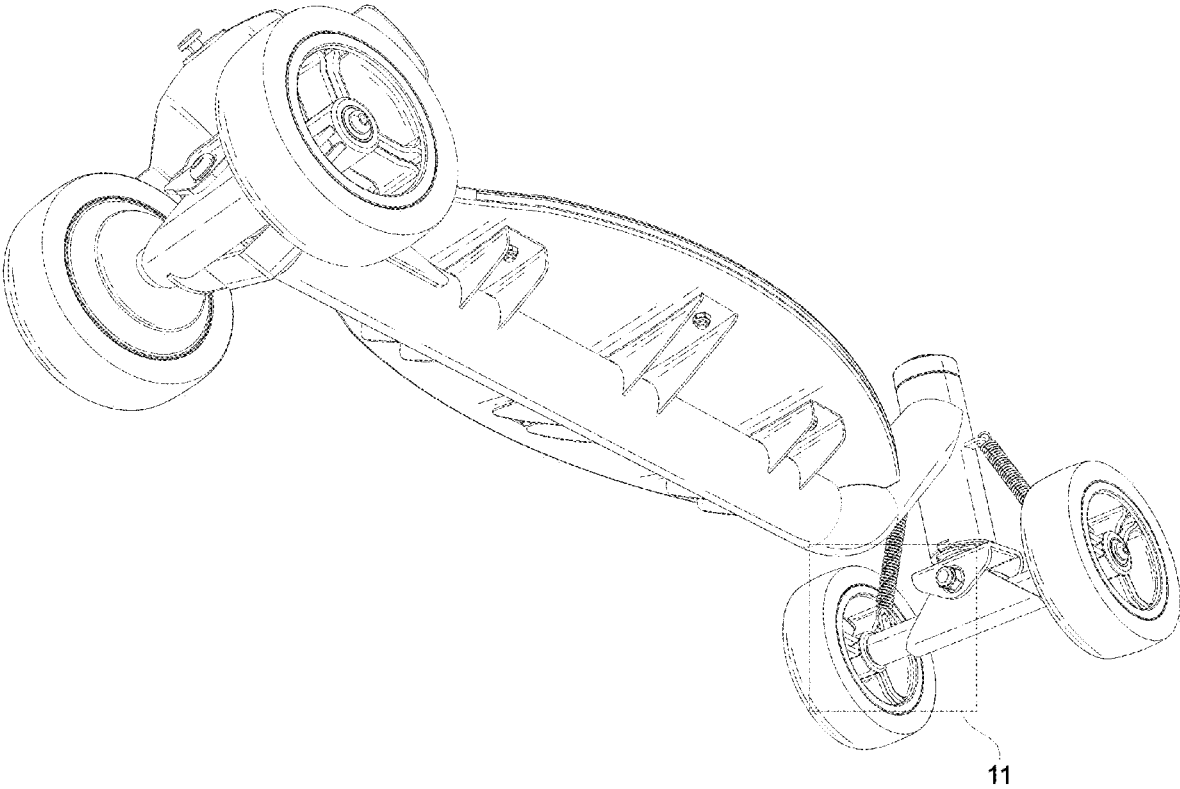


FIG. 2

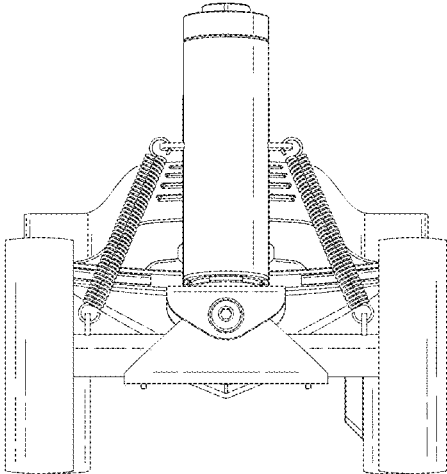


FIG. 3

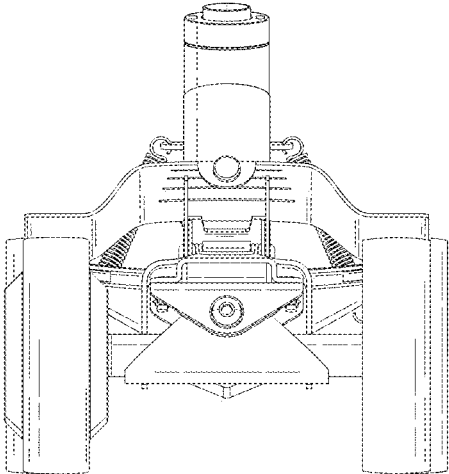


FIG. 4

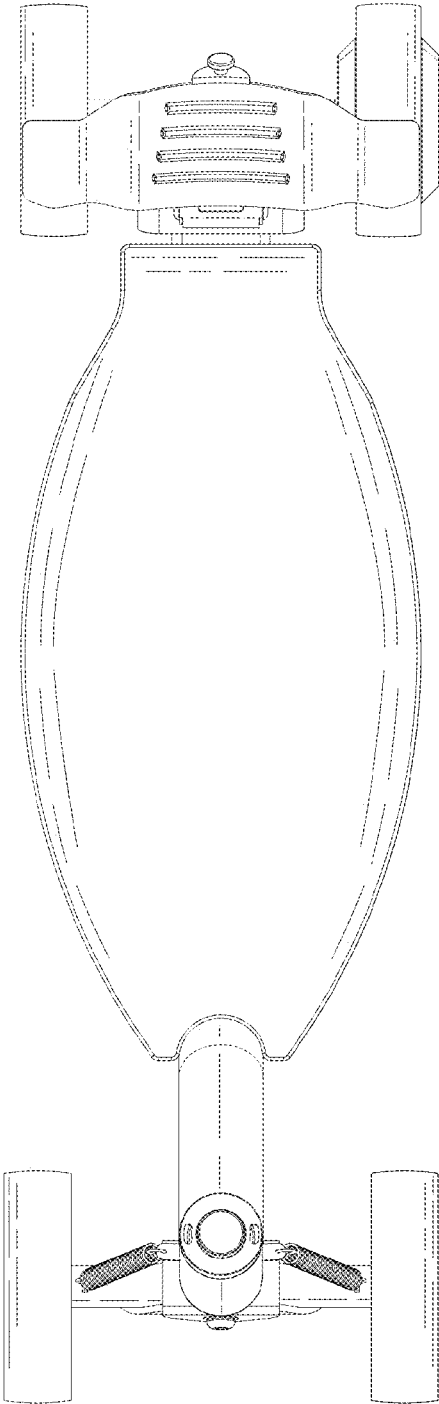


FIG. 5

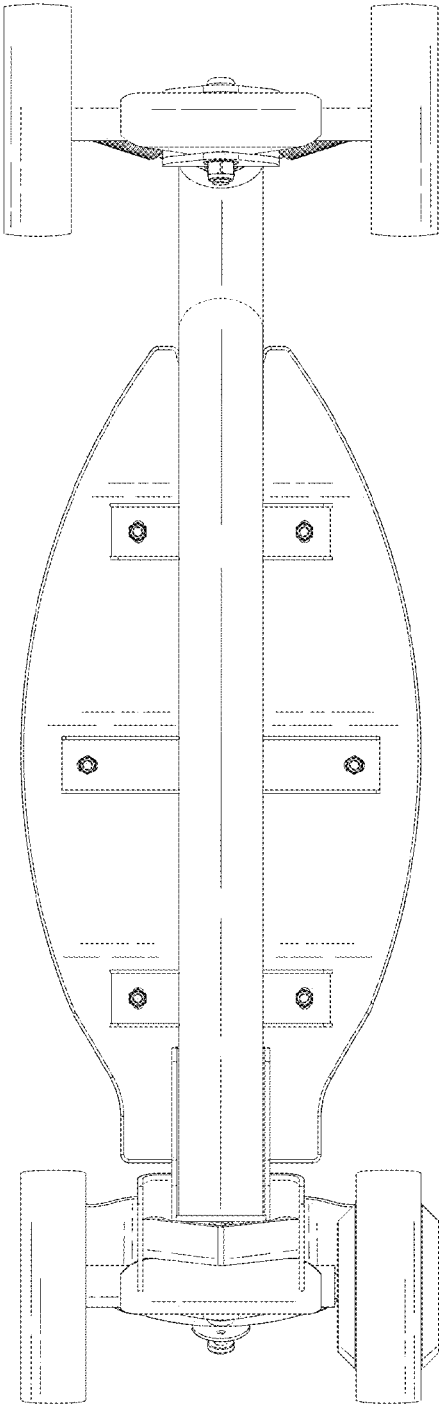


FIG. 6

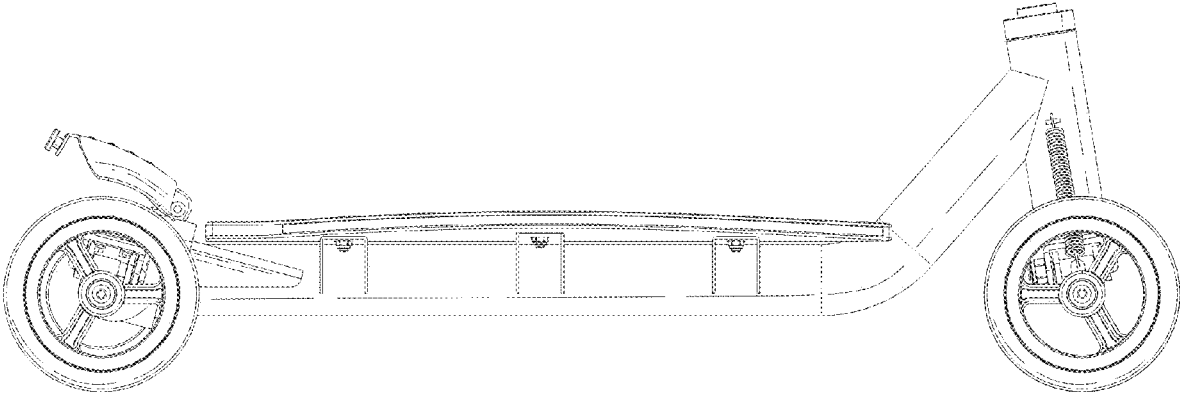


FIG. 7

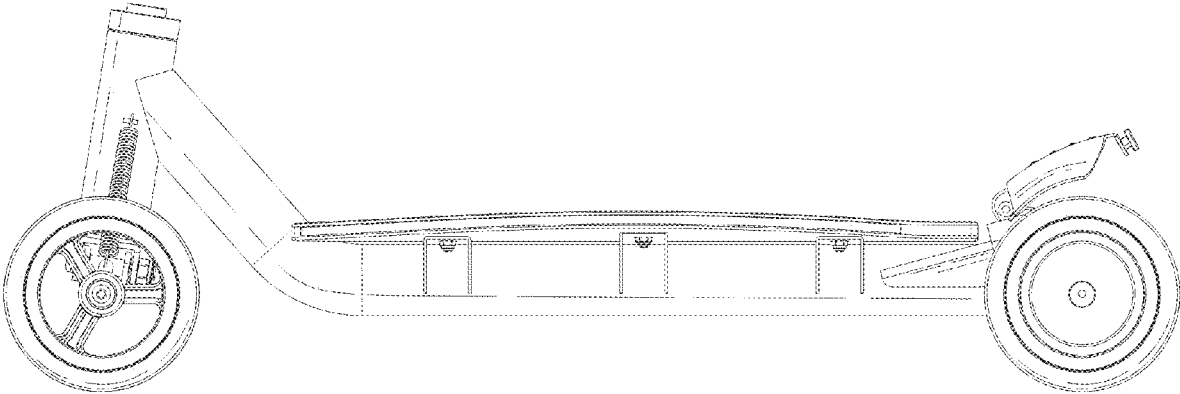


FIG. 8

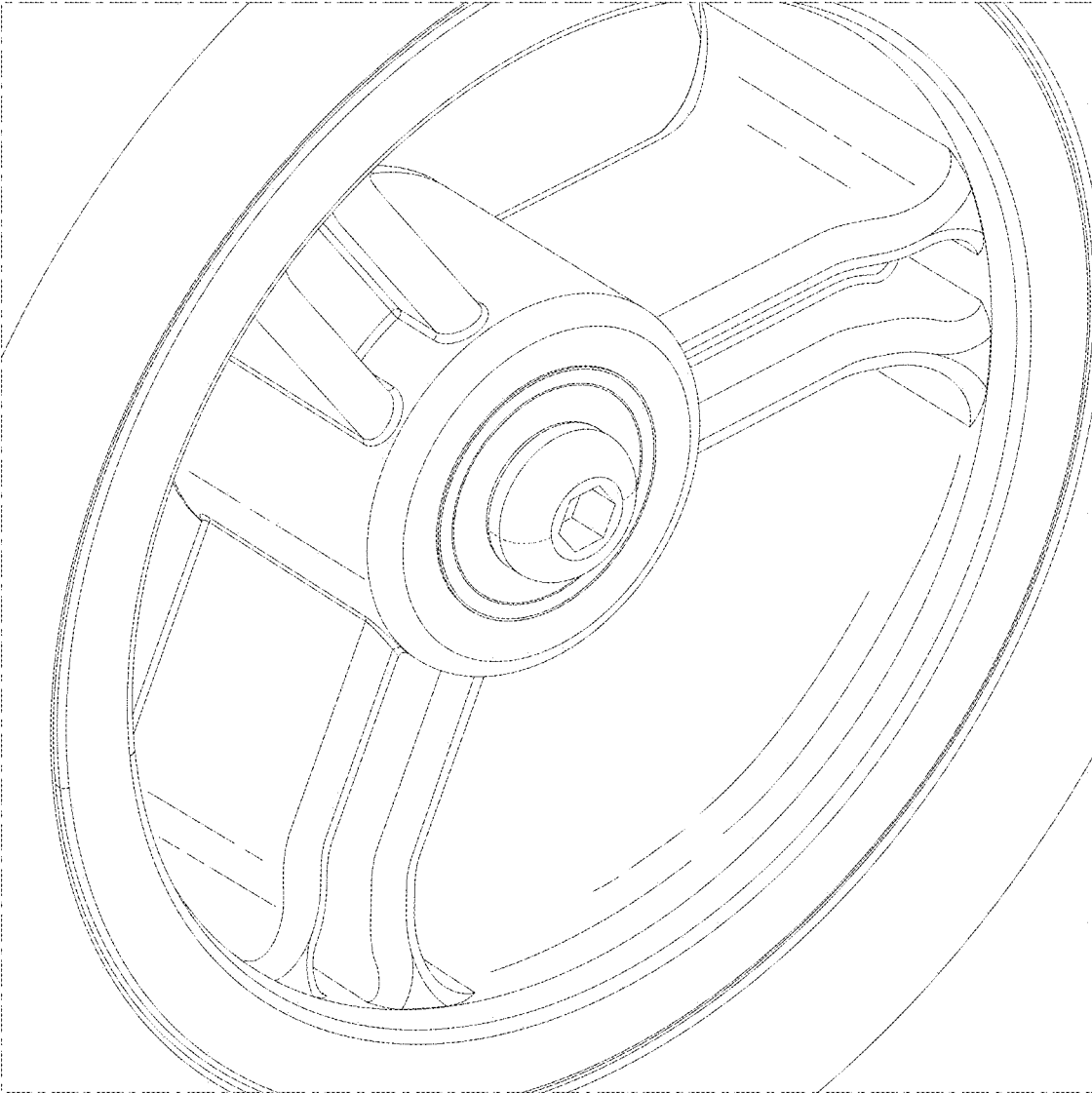


FIG. 9

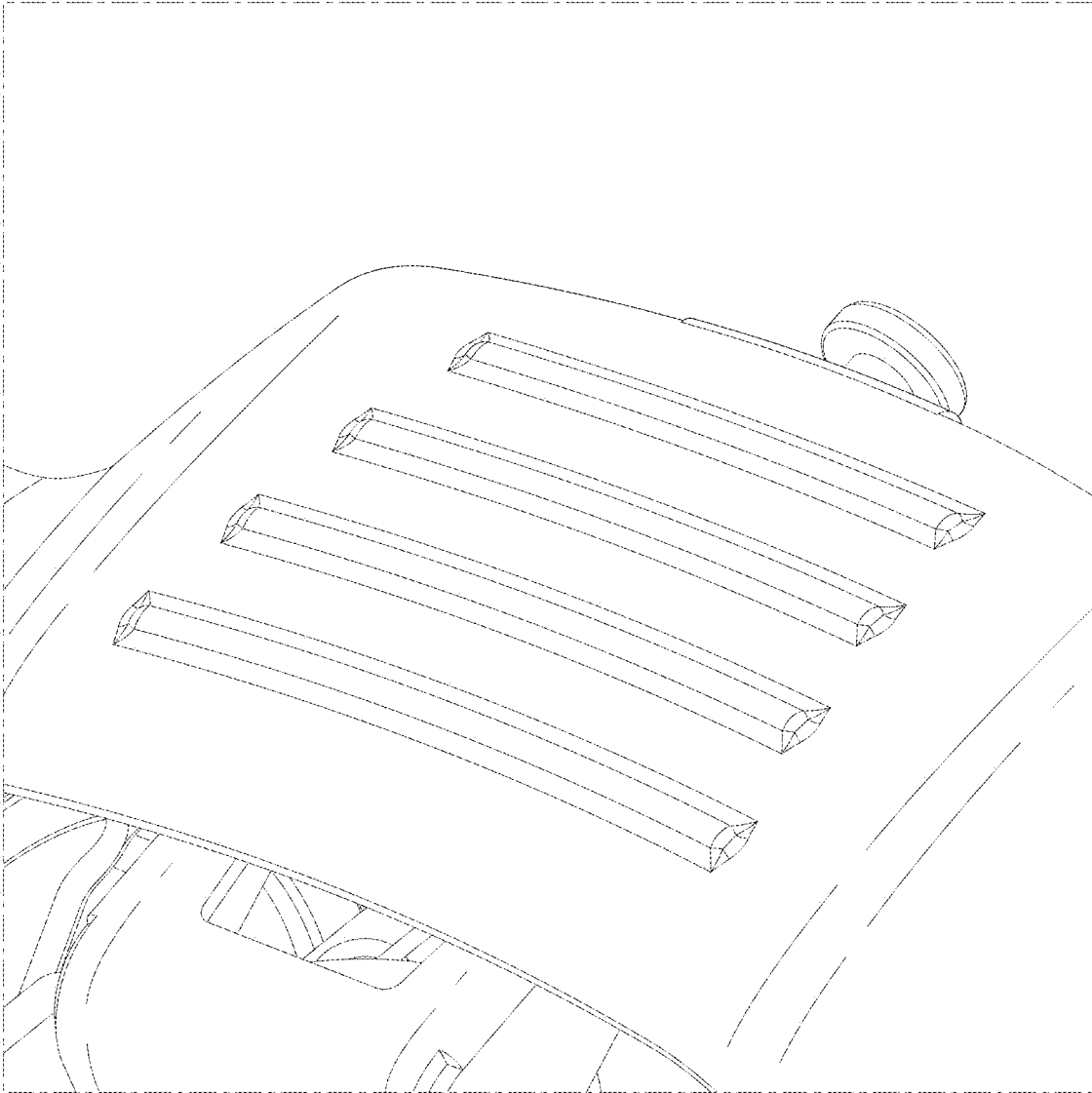


FIG. 10

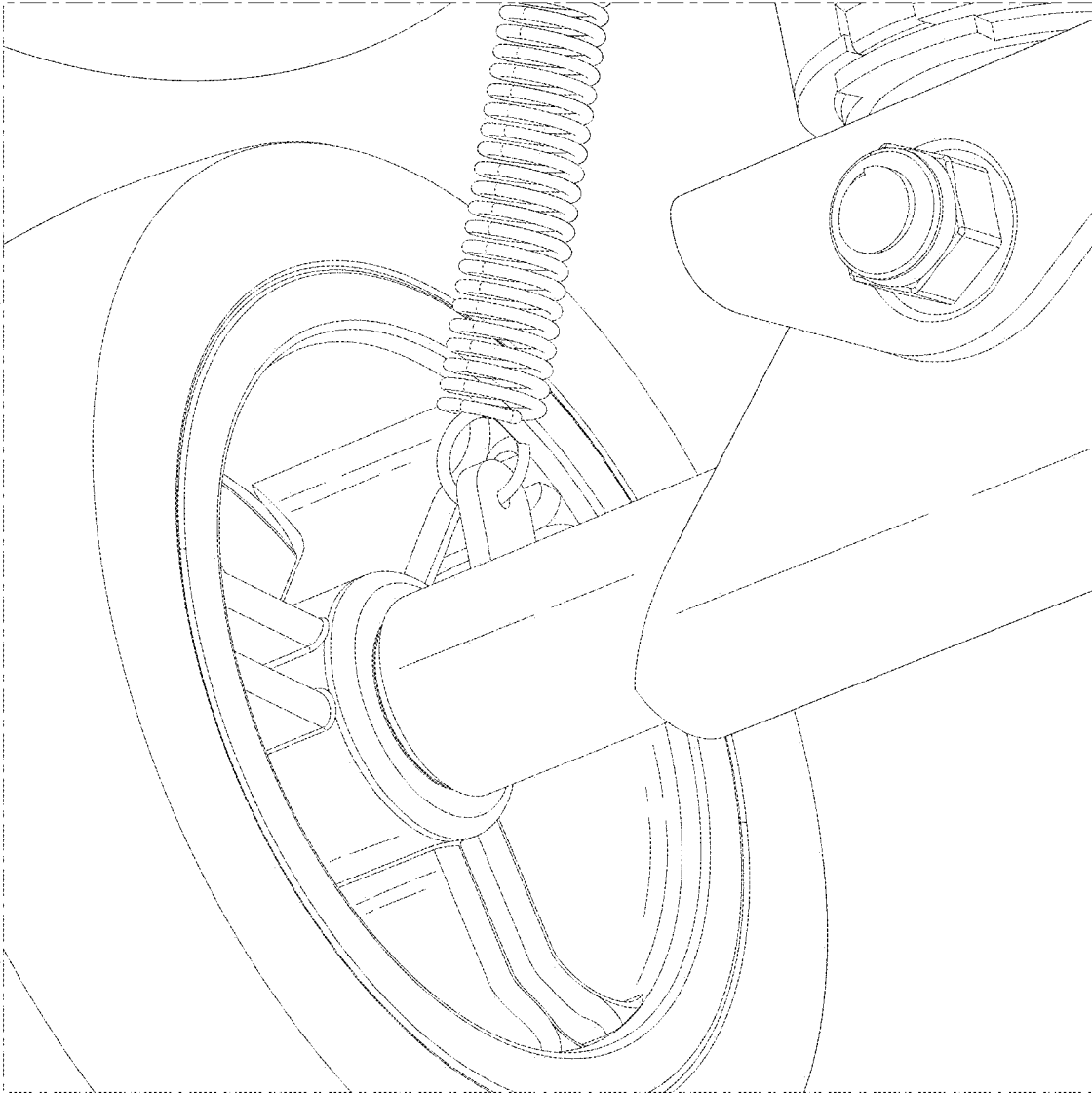


FIG. 11