



(11) **EP 4 266 254 A3**

(12) **EUROPEAN PATENT APPLICATION**

(88) Date of publication A3:  
**24.01.2024 Bulletin 2024/04**

(43) Date of publication A2:  
**25.10.2023 Bulletin 2023/43**

(21) Application number: **23195821.6**

(22) Date of filing: **07.01.2019**

(51) International Patent Classification (IPC):  
**H04N 1/00 (2006.01) G06K 1/12 (2006.01)**  
**G06K 7/14 (2006.01) H04N 1/32 (2006.01)**  
**B41J 3/01 (2006.01) B41J 3/407 (2006.01)**  
**G06K 5/02 (2006.01)**

(52) Cooperative Patent Classification (CPC):  
**H04N 1/00737; G06K 5/02; G06T 7/001;**  
**G06T 7/254; H04N 1/00005; H04N 1/00015;**  
**H04N 1/00029; H04N 1/00037; H04N 1/00039;**  
**H04N 1/00045; H04N 1/00082; G06T 2207/30144**

(84) Designated Contracting States:  
**AL AT BE BG CH CY CZ DE DK EE ES FI FR GB**  
**GR HR HU IE IS IT LI LT LU LV MC MK MT NL NO**  
**PL PT RO RS SE SI SK SM TR**

(30) Priority: **05.01.2018 US 201862614089 P**  
**04.01.2019 US 201916240140**

(62) Document number(s) of the earlier application(s) in accordance with Art. 76 EPC:  
**19150494.3 / 3 509 286**

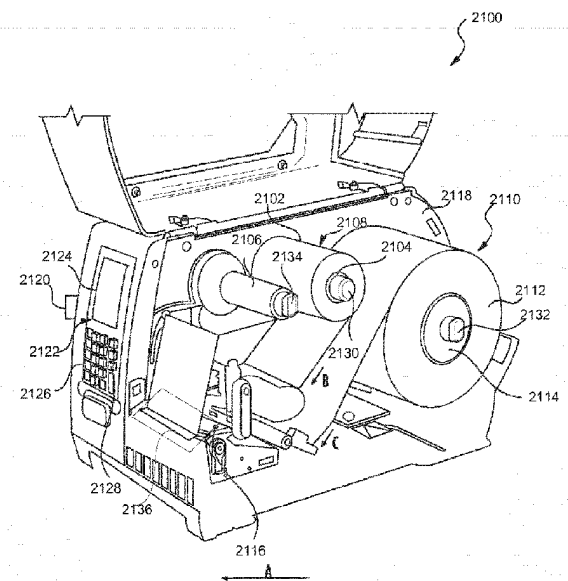
(71) Applicant: **Hand Held Products, Inc.**  
**Charlotte, NC 28202 (US)**

(72) Inventors:  
• **D'ARMANCOUT, Sebastien**  
**Charlotte, North Carolina, 28202 (US)**  
• **CELINDER, Thomas Axel Jonas**  
**Charlotte, North Carolina, 28202 (US)**  
• **ACKLEY, H. Sprague**  
**Charlotte, North Carolina, 28202 (US)**  
• **ASPENNS, Glenn**  
**Charlotte, North Carolina, 28202 (US)**

(74) Representative: **Haseltine Lake Kempner LLP**  
**Cheapside House**  
**138 Cheapside**  
**London EC2V 6BJ (GB)**

(54) **METHODS, APPARATUSES, AND SYSTEMS FOR DETECTING PRINTING DEFECTS AND CONTAMINATED COMPONENTS OF A PRINTER**

(57) A method for printing defect detection includes processing and analyzing a difference image obtained by comparing an image scanned with a verifier to a reference image. The detected defects are grouped, and the grouping is refined. Confidence level values are then assigned to the refined groups, and analysis is performed to determine if one or more servicing actions should be taken.



**FIG. 21A**

**EP 4 266 254 A3**



EUROPEAN SEARCH REPORT

Application Number

EP 23 19 5821

5

10

15

20

25

30

35

40

45

50

55

DOCUMENTS CONSIDERED TO BE RELEVANT			
Category	Citation of document with indication, where appropriate, of relevant passages	Relevant to claim	CLASSIFICATION OF THE APPLICATION (IPC)
X	US 2017/111523 A1 (ACKLEY H SPRAGUE [US]) 20 April 2017 (2017-04-20)	1, 4-7, 10-12, 14, 15	INV. H04N1/00 G06K1/12
Y	* abstract; figure all * * paragraphs [0008], [0037], [0017], [0042], [0043], [0058], [0011] * -----	2, 3, 8, 9, 13	G06K7/14 H04N1/32 B41J3/01 B41J3/07
Y	US 5 564 841 A (AUSTIN PIXIE A [US] ET AL) 15 October 1996 (1996-10-15) * abstract; figure all * * column 9, line 34 - line 39 * * column 11, line 6 - line 11 * -----	2, 3, 8, 9, 13	G06K5/02
A	EP 1 085 452 A2 (PRINTRONIX INC [US]) 21 March 2001 (2001-03-21) * the whole document * -----	1-15	
			TECHNICAL FIELDS SEARCHED (IPC)
			H04N G06K G01J G03B B41J
The present search report has been drawn up for all claims			
Place of search <b>The Hague</b>		Date of completion of the search <b>6 December 2023</b>	Examiner <b>Winne, Dominique</b>
CATEGORY OF CITED DOCUMENTS X : particularly relevant if taken alone Y : particularly relevant if combined with another document of the same category A : technological background O : non-written disclosure P : intermediate document		T : theory or principle underlying the invention E : earlier patent document, but published on, or after the filing date D : document cited in the application L : document cited for other reasons ..... & : member of the same patent family, corresponding document	

2  
EPO FORM 1503 03:82 (P04C01)

**ANNEX TO THE EUROPEAN SEARCH REPORT  
ON EUROPEAN PATENT APPLICATION NO.**

EP 23 19 5821

5 This annex lists the patent family members relating to the patent documents cited in the above-mentioned European search report.  
The members are as contained in the European Patent Office EDP file on  
The European Patent Office is in no way liable for these particulars which are merely given for the purpose of information.

06-12-2023

Patent document cited in search report	Publication date	Patent family member(s)	Publication date
US 2017111523 A1	20-04-2017	EP 3040903 A1	06-07-2016
		EP 3379449 A1	26-09-2018
		US 9230140 B1	05-01-2016
		US 2016188914 A1	30-06-2016
		US 2017111523 A1	20-04-2017
-----			
US 5564841 A	15-10-1996	NONE	
-----			
EP 1085452 A2	21-03-2001	CN 1287922 A	21-03-2001
		EP 1085452 A2	21-03-2001
		US 6535299 B1	18-03-2003
-----			

EPO FORM P0459

For more details about this annex : see Official Journal of the European Patent Office, No. 12/82