



US011871036B2

(12) **United States Patent**
Kim

(10) **Patent No.:** **US 11,871,036 B2**

(45) **Date of Patent:** **Jan. 9, 2024**

(54) **APPARATUS AND METHOD FOR
COMPRESSING JPEG IMAGES**

USPC 382/233
See application file for complete search history.

(71) Applicant: **Korea University Research and
Business Foundation**, Seoul (KR)

(56) **References Cited**

(72) Inventor: **Suah Kim**, Seoul (KR)

U.S. PATENT DOCUMENTS

(73) Assignee: **Korea University Research and
Business Foundation**, Seoul (KR)

(*) Notice: Subject to any disclaimer, the term of this
patent is extended or adjusted under 35
U.S.C. 154(b) by 372 days.

5,774,634	A *	6/1998	Honma	H04N 19/98
					358/1.9
5,799,111	A *	8/1998	Guissin	H04N 19/86
					358/463
7,408,991	B2 *	8/2008	Hourunranta	H04N 19/527
					382/250
2002/0041716	A1 *	4/2002	Bruna	H04N 19/186
					375/E7.157
2003/0035586	A1 *	2/2003	Chou	H04N 19/527
					382/268
2004/0101055	A1 *	5/2004	Hourunranta	H04N 19/89
					725/144
2013/0215971	A1 *	8/2013	Regunathan	H04N 19/86
					375/240.18
2018/0173993	A1 *	6/2018	Cogranne	G06V 10/431
2020/0059670	A1	2/2020	Kiser et al.		

(21) Appl. No.: **17/351,524**

(22) Filed: **Jun. 18, 2021**

(65) **Prior Publication Data**

US 2022/0094988 A1 Mar. 24, 2022

FOREIGN PATENT DOCUMENTS

(30) **Foreign Application Priority Data**

Sep. 24, 2020	(KR)	10-2020-0124272
Dec. 4, 2020	(KR)	10-2020-0168530

KR	10-0620537	B1	9/2006
KR	10-0745429	B1	8/2007
KR	10-2007-0090168	A	9/2007
KR	10-2020-0051850	A	5/2020

* cited by examiner

(51) **Int. Cl.**

H04N 19/625	(2014.01)
H04N 19/124	(2014.01)
H04N 19/182	(2014.01)
H04N 19/176	(2014.01)

Primary Examiner — Ali Bayat
(74) *Attorney, Agent, or Firm* — NSIP Law

(52) **U.S. Cl.**

CPC **H04N 19/625** (2014.11); **H04N 19/124**
(2014.11); **H04N 19/176** (2014.11); **H04N**
19/182 (2014.11)

(57) **ABSTRACT**

An apparatus and method for compressing Joint Photo-
graphic Experts Group (JPEG) images estimates a quantized
DC coefficient of a target block to be decoded using AC
coefficients of the target block and a pixel value of already
decoded neighboring block adjacent to the target block,
thereby reducing the encoded file size while maintaining the
JPEG file format.

(58) **Field of Classification Search**

CPC .. H04N 19/625; H04N 19/124; H04N 19/176;
H04N 19/182; H04N 19/61; H04N
19/157; H04N 19/18

8 Claims, 2 Drawing Sheets

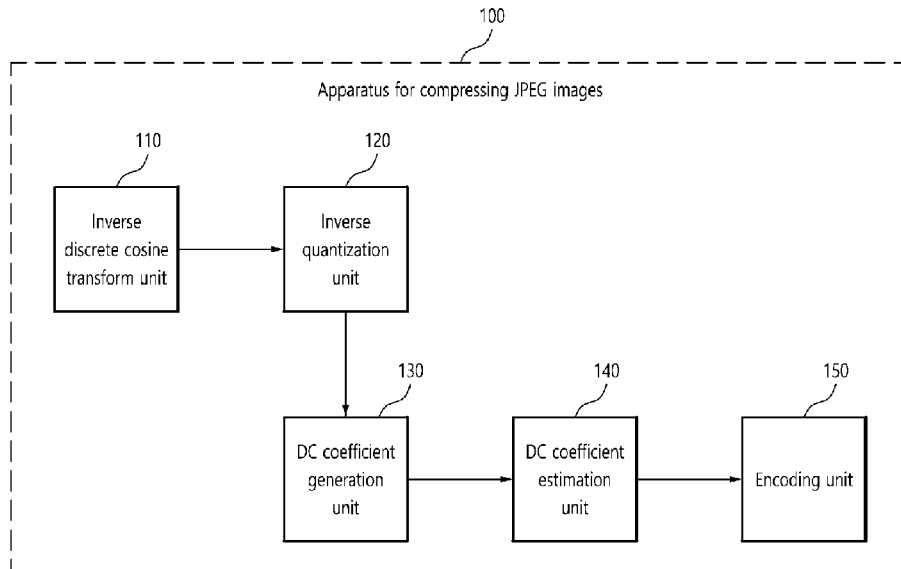


FIG. 1

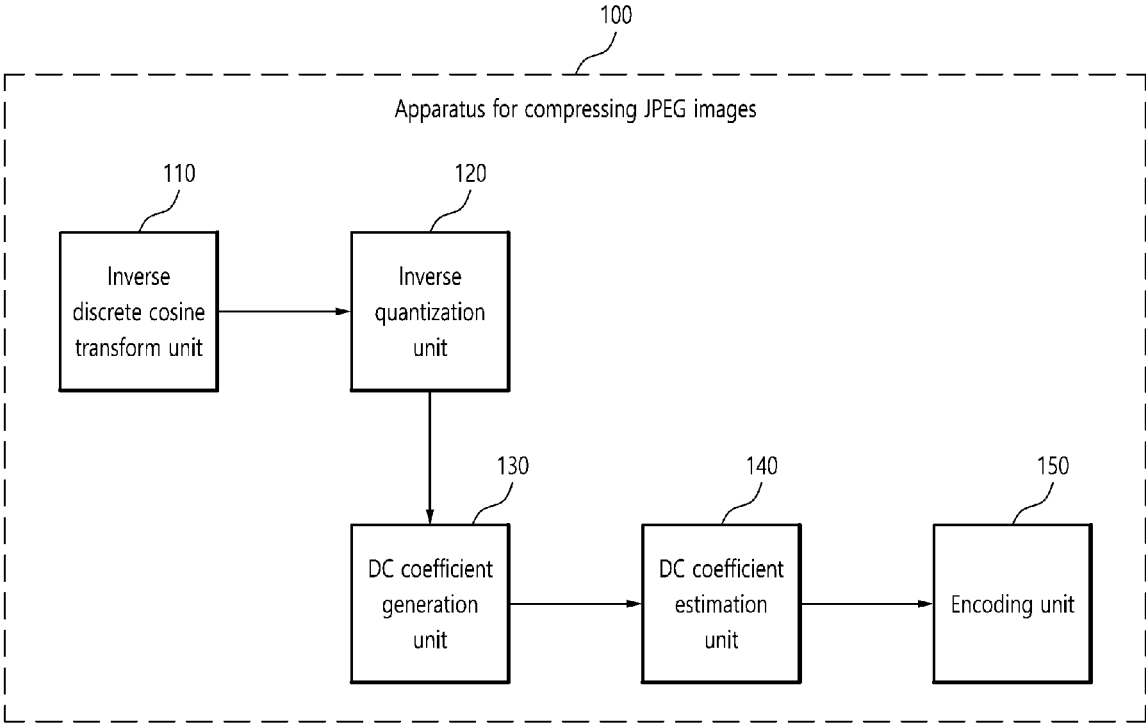
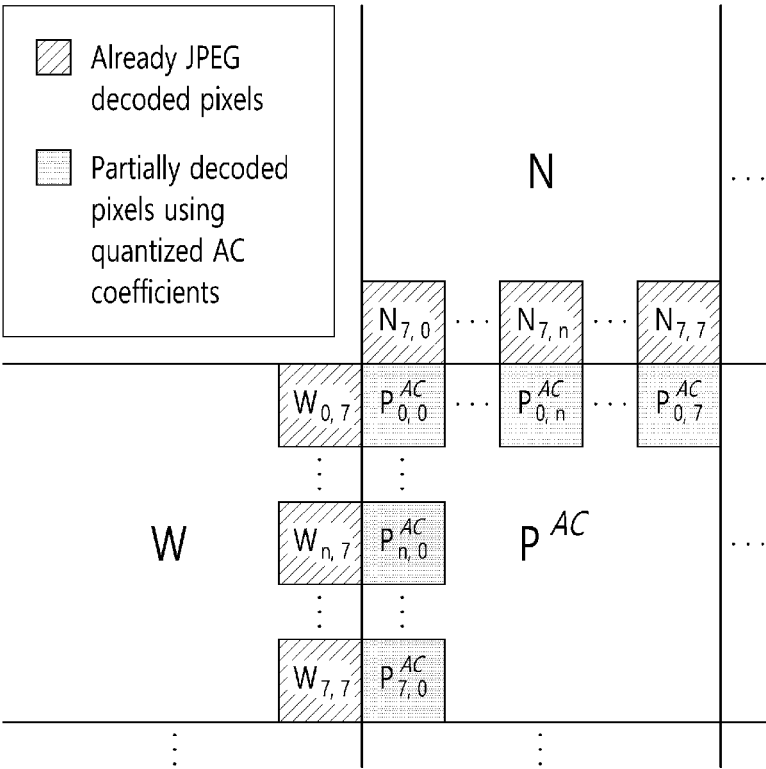


FIG. 2



**APPARATUS AND METHOD FOR
COMPRESSING JPEG IMAGES**

CROSS-REFERENCE TO RELATED
APPLICATIONS

This application claims the benefit under 35 USC § 119(a) of Korean Patent Application No. 10-2020-0124272 filed on Sep. 24, 2020, and Korean Patent Application No. 10-2020-0168530 filed on Dec. 4, 2020, in the Korean Intellectual Property Office, the entire disclosures, all of which, are incorporated herein by reference for all purposes.

TECHNICAL FIELD

The present disclosure relates to an image compression apparatus, and more particularly, to an apparatus and method for compressing Joint Photographic Experts Group (JPEG) images in which a quantized DC coefficient of a target block to be decoded is estimated using AC coefficients of the target block and a pixel value of an already decoded neighboring block adjacent to the target block, thereby reducing the encoded file size while maintaining the JPEG file format.

BACKGROUND ART

According to the existing video playing method, the whole compressed video is decoded and copied to a large memory, and data at a location to play is copied to a frame memory and outputted on a display screen.

Since it is necessary to decode the compressed video stream at a time and store the whole decoded video in the memory, when the video resolution is very high, the required amount of memory is very large, so it cannot be used where the system resources are limited.

Joint Photographic Experts Group (JPEG) which is the most common image format is block based compression, and to play a block of compressed data stream at a target location for decoding, it involves finding the corresponding location while scanning from the beginning of a file and restoring.

Since the JPEG image format focuses on encoding based on encoding of quantized DCT coefficients, encoded images are generated with a significant increase in file size.

When the file size of JPEG images increases, Social Networking Services (SNS) and cloud services have an increasing burden on storing images with the increasing stored JPEG images.

RELATED LITERATURES

Patent Literatures

(Patent Literature 0001) Korean Patent No. 10-0620537

DISCLOSURE

Technical Problem

To solve the above-described problem, the present disclosure is directed to providing an apparatus and method for compressing Joint Photographic Experts Group (JPEG) images in which a quantized DC coefficient of a target block to be decoded is estimated using AC coefficients of the target block and a pixel value of an already decoded neighboring

block adjacent to the target block, thereby reducing the encoded file size while maintaining the JPEG file format.

Technical Solution

To achieve the above-described object, an apparatus for compressing Joint Photographic Experts Group (JPEG) images according to the feature of the present disclosure includes a decoding unit to decode a pixel at a specific block location (x, y) to generate a quantized DC coefficient, predict an estimated quantized DC coefficient of a target block to be decoded using quantized AC coefficients of the target block and a pixel value of a decoded block adjacent to the target block, and calculate an estimation error value which is the quantized DC coefficient minus the estimated quantized DC coefficient, and an encoding unit to encode the estimation error value by Huffman coding.

A method for compressing JPEG images according to the feature of the present disclosure includes decoding a pixel at a specific block location (x, y) to generate a quantized DC coefficient, predicting an estimated quantized DC coefficient of a target block to be decoded using quantized AC coefficients of the target block and a pixel value of a decoded block adjacent to the target block, calculating an estimation error value which is the quantized DC coefficient minus the estimated quantized DC coefficient, and encoding the estimation error value by Huffman coding.

Advantageous Effects

By the above-described configuration, the present disclosure reduces the encoded file size while maintaining the Joint Photographic Experts Group (JPEG) file format by estimating a quantized DC coefficient of a target block to be decoded using AC coefficients of the target block and a pixel value of an already decoded neighboring block adjacent to the target block.

DESCRIPTION OF DRAWINGS

FIG. 1 is a diagram showing a configuration of an apparatus for compressing JPEG images according to an embodiment of the present disclosure.

FIG. 2 is a conceptual diagram showing a method for estimating a decoded quantized DC according to an embodiment of the present disclosure.

BEST MODE

Unless the context clearly indicates otherwise, the term “comprises” when used in this specification, specifies the presence of stated elements, but does not preclude the presence or addition of one or more other elements.

FIG. 1 is a diagram showing a configuration of an apparatus for compressing Joint Photographic Experts Group (JPEG) images according to an embodiment of the present disclosure.

Each pixel of an image produced by JPEG image compression is divided into a macro block of 8x8 pixels, each block is provided with 64 inputs of the Discrete Cosine Transform (DCT) function, and one block includes a set of 64 coefficients composed of one DC component and 63 AC components by the DCT process.

According to an embodiment of the present disclosure, the apparatus **100** for compressing JPEG images includes an inverse discrete cosine transform unit **110**, an inverse quan-

3

tization unit **120**, a DC coefficient generation unit **130**, a DC coefficient estimation unit **140** and an encoding unit **150**.

The apparatus **100** for compressing JPEG images estimates a quantized DC coefficient $D_{0,0}$ to increase the total compression rate, and reduces the file size by the quantized DC estimation.

The apparatus **100** for compressing JPEG images predicts the quantized DC coefficient $D_{0,0}$ using quantized AC coefficients and an already decoded neighboring JPEG block.

The inverse discrete cosine transform unit **110** generates an 8x8 block of decoded pixel values P of the quantized DCT coefficients D through the idct function based on the following Equations 1 and 2.

$$p = [\text{idct}(\text{QF} \circ D)] + 128^{8 \times 8} \quad \text{[Equation 1]}$$

where QF is a quantization factor, \circ is an element-by-element multiplication, and $[x]$ is a function of rounding the element of x to the nearest integer.

The inverse discrete cosine transform (IDCT) function is defined as below.

idct: $G \rightarrow g$, where $G_{u,v} \in G$ is the DCT coefficient at block location (u, v) .

$g_{x,y} \in g$ is the decoded pixel value at block location (x, y) .

$$g_{x,y} = \sum_{u=0}^7 \sum_{v=0}^7 \frac{\alpha_u \alpha_v G_{u,v}}{4} \cos\left(\frac{(2x+1)u\pi}{16}\right) \cos\left(\frac{(2y+1)v\pi}{16}\right) \quad \text{[Equation 2]}$$

where

$$\alpha_u = \begin{cases} \frac{1}{\sqrt{2}} & u = 0 \\ 1 & \text{else} \end{cases}$$

where α_u, α_v are scaling factors applied to idct according to the u or v value.

The inverse quantization unit **120** generates an 8x8 block of decoded pixel values by partially decoding by the following Equations 3, 4 and 5 including the quantized DC coefficient, the quantized AC coefficients and the IDCT function.

The partially decoding refers to applying inverse quantization and idct function after substituting '0' for a coefficient value of no interest.

When decoding is performed as described above, the inverse quantization unit **120** may separate the quantized DC and AC components indicated as DC and AC. First, idct is a linear function, and D of Equation 1 may be decomposed into DC component and AC component.

$$p = [\text{idct}(\text{QF} \circ \text{DC}^{8 \times 8}) + \text{idct}(\text{QF} \circ \text{AC}^{8 \times 8})] + 128^{8 \times 8} = [p^{DC} + p^{AC}] + 128^{8 \times 8} \quad \text{[Equation 3]}$$

where $p^{DC} = \text{idct}(\text{QF} \circ \text{DC}^{8 \times 8})$ is a block of pixels partially decoded using the DC matrix, $\text{DC}^{8 \times 8}$ is an 8x8 block of DC components in the quantized DCT coefficients D , $\text{AC}^{8 \times 8}$ is an 8x8 block of AC components in the quantized DCT coefficients D , and p is an 8x8 block of decoded pixels.

4

$$\text{QF} \circ \text{DC}^{8 \times 8} = \begin{bmatrix} \text{QF}_{0,0} D_{0,0} & 0 & \cdots & 0 \\ 0 & 0 & \cdots & 0 \\ \vdots & \vdots & \ddots & \vdots \\ 0 & 0 & \cdots & 0 \end{bmatrix} \quad \text{[Equation 4]}$$

where $D_{x,y}$ denotes the quantized DCT coefficient D at location (x, y) , and $\text{QF}_{x,y}$ denotes the quantization table of 8x8 block at location (x, y) .

$p^{AC} = \text{idct}(\text{QF} \circ \text{AC}^{8 \times 8})$ denotes the pixel block partially decoded using the AC matrix.

$$\text{QF} \circ \text{AC}^{8 \times 8} = \begin{bmatrix} 0 & \text{QF}_{0,1} D_{0,1} & \cdots & \text{QF}_{0,7} D_{0,7} \\ \text{QF}_{1,0} D_{1,0} & \text{QF}_{1,1} D_{1,1} & \cdots & \text{QF}_{1,7} D_{1,7} \\ \vdots & \vdots & \ddots & \vdots \\ \text{QF}_{7,0} D_{7,0} & \text{QF}_{7,1} D_{7,1} & \cdots & \text{QF}_{7,7} D_{7,7} \end{bmatrix} \quad \text{[Equation 5]}$$

The decoded quantized DC pixel value $p_{x,y}^{DC}$ is the result of decoding the pixel at the specific block location (x, y) in the quantized DC component.

The DC coefficient generation unit **130** calculates $p_{x,y}^{DC}$ as represented in the following Equation 6 by applying idct to $\text{DC}^{8 \times 8}$ in Equation 3.

$$p_{x,y}^{DC} = \frac{\frac{1}{\sqrt{2}} \frac{1}{\sqrt{2}} \text{QF}_{0,0} \times D_{0,0}}{4} \cos(0) \cos(0) = \frac{\text{QF}_{0,0} \times D_{0,0}}{8} \quad \text{[Equation 6]}$$

Equation 6 shows that the quantized DC coefficient $D_{0,0}$ contributes equally to each pixel irrespective of location (x, y) . To calculate $D_{0,0}$, Equation 6 is rewritten so that it reads the following Equation 7.

$$D_{0,0} = \frac{8}{\text{QF}_{0,0}} \times p_{x,y}^{DC} \quad \text{[Equation 7]}$$

Equation 7 shows that if $p_{x,y}^{DC}$ can be predicted, $D_{0,0}$ can be estimated.

The DC coefficient generation unit **130** generates the quantized DC coefficient $D_{0,0}$ using Equation 7.

The DC coefficient estimation unit **140** predicts the partially decoded quantized DC coefficient.

That is, the DC coefficient estimation unit **140** calculates an approximate value p^{DC} using Equation 3 by the following Equation 8.

$$p^{DC} \approx [p - p^{AC} - 128^{8 \times 8}] \quad \text{[Equation 8]}$$

Equation 8 is rewritten in terms of the specific location (x, y) so that it reads the following Equation 9.

$$p_{x,y}^{DC} \approx [p_{x,y} - p_{x,y}^{AC} - 128] \quad \text{[Equation 9]}$$

Equation 9 may be used to predict $p_{x,y}^{DC}$ by sampling $p_{x,y}$ at the specific block location.

FIG. 2 is a conceptual diagram showing a method for estimating the decoded quantized DC according to an embodiment of the present disclosure.

FIG. 2 shows blocks used in $p_{x,y}$ being sampled.

p^{AC} is a target block to be decoded and quantized AC coefficients used to estimate the quantized DC coefficient $D_{0,0}$, 'N' denotes an already decoded first neighboring block positioned on the northern side of p^{AC} , and 'W' denotes an already decoded second neighboring block positioned on the western side of p^{AC} .

5

The pixels may have similar values to neighboring pixels. $n \in \{0, \dots, 7\}$, $N_{7,n}$ has a similar value to $p_{0,n}$, and $W_{n,7}$ has a similar value to $p_{n,0}$.

The DC coefficient estimation unit 140 uses 16 neighboring pixels as a predicted value for $p_{x,y}$, and may generate the predicted value $\hat{p}_{x,y}^{DC}$ by the following Equation 10, by calculating an average value of the target block to be decoded using an average value of the already decoded first neighboring block and an average value of the already decoded second neighboring block.

$$\hat{p}_{x,y}^{DC} = \frac{\sum_{n=0}^7 (N_{7,n} - p_{0,n}^{AC} - 128) + (W_{n,7} - p_{n,0}^{AC} - 128)}{16} = \frac{\sum_{n=0}^7 N_{7,n} - p_{0,n}^{AC} + W_{n,7} - p_{n,0}^{AC}}{16} - 128 \quad \text{[Equation 10]}$$

- $\{N_{7,n}\}_{n=0}^7$ is a nearest pixel to the target block on the northern side among the decoded pixel values,
- $\{W_{n,7}\}_{n=0}^7$ is a nearest pixel to the target block on the western side among the decoded pixel values.
- $\{p_{0,n}^{AC}\}_{n=0}^7$ is a pixel near to block N among the pixels of the target block decoded using only the quantized AC.
- $\{p_{n,0}^{AC}\}_{n=0}^7$ is a pixel near to block W among the pixels of the target block decoded using only the quantized AC.

It is required to know the quantized DC of the target block to decode the target block, but under the assumption that the quantized DC of the target block is unknown, the DC coefficient estimation unit 140 performs JPEG decoding with the quantized DC value of the target block set to 0 while maintaining only the quantized AC values of the target block.

The DC coefficient estimation unit 140 may generate the following Equation 11 by substituting $\hat{p}_{x,y}^{DC}$ of Equation 10 into Equation 7.

$$\hat{D}_{0,0} = \left[\frac{8 \times \sum_{n=0}^7 N_{7,n} - p_{0,n}^{AC} + W_{n,7} - p_{n,0}^{AC}}{QF_{0,0} \times 16} - 128 \right] \quad \text{[Equation 11]}$$

The DC coefficient estimation unit 140 predicts an estimated quantized DC coefficient $\hat{D}_{0,0}$ of the target block through Equation 11, and calculates an estimation error value which is the quantized DC coefficient $D_{0,0}$ minus the estimated quantized DC coefficient $\hat{D}_{0,0}$ and stores it.

The JPEG standard encodes using the Huffman table after applying Differential Pulse Code Modulation (DPCM) on the quantized DC coefficient.

However, the encoding unit 150 of the present disclosure does not apply DPCM, and directly encodes the estimation error value.

The encoding unit 150 encodes the estimation error value according to the size using Huffman coding, and encodes the AC symbol according to the size of non-zero AC and run-length coding using Huffman coding. This encoding process is repeated over all the blocks.

The estimation error value is Huffman encoded by its size, while the AC symbol is Huffman encoded by its size and run-length.

Accordingly, it is necessary to encode with maximum entropy while preventing the increase in file size due to encoding.

6

The method for compressing JPEG images of the present disclosure provides compressed JPEG encoding having the lossless file size reduction function by up to 5.75%. This method uses the inefficiency of JPEG when compressing the quantized DC, and carefully integrates the quantized DC estimation system with the file format maintaining encoding, thereby reducing the encoded file size while maintaining the file format.

While the embodiments of the present disclosure have been hereinabove described in detail, the scope of protection of the present disclosure is not limited thereto and encompasses many modifications and changes made by those skilled in the art using the basic concept of the present disclosure defined in the appended claims.

DETAILED DESCRIPTION OF MAIN ELEMENTS

- 100: Apparatus for compressing JPEG images
- 110: Inverse discrete cosine transform unit
- 120: Inverse quantization unit
- 130: DC coefficient generation unit
- 140: DC coefficient estimation unit
- 150: Encoding unit

The invention claimed is:

1. An apparatus for compressing Joint Photographic Experts Group (JPEG) images, comprising:

- a decoding unit to decode a pixel at a specific block location (x, y) to generate a quantized DC coefficient, predict an estimated quantized DC coefficient of a target block to be decoded using quantized AC coefficients of the target block and a pixel value of a decoded block adjacent to the target block, and calculate an estimation error value which is the quantized DC coefficient minus the estimated quantized DC coefficient; and

an encoding unit to encode the estimation error value by Huffman coding.

2. The apparatus for compressing JPEG images according to claim 1, wherein the decoding unit further comprises an Inverse Discrete Cosine Transform (IDC) unit to generate an 8x8 block of decoded pixel values (P) of the quantized DCT coefficients (D) through an IDCT function using the following Equation 1:

$$p = [\text{idct}(\text{QF} \circ D)] + 128^{8 \times 8} \quad \text{[Equation 1]}$$

where QF is a quantization factor, o is an element-by-element multiplication, and [x] is a function of rounding an element of x to a nearest integer.

3. The apparatus for compressing JPEG images according to claim 1, wherein the decoding unit further comprises an inverse quantization unit to generate an 8x8 block of decoded pixel values (P) using the following Equation 2 including a first pixel block partially decoded using a DC matrix and a second pixel block partially decoded using an AC matrix:

$$p = [\text{idct}(\text{QF} \circ \text{DC}^{8 \times 8}) + \text{idct}(\text{QF} \circ \text{AC}^{8 \times 8})] + 128^{8 \times 8} = [p^{DC} + p^{AC}] + 128^{8 \times 8} \quad \text{[Equation 2]}$$

where $p^{DC} = \text{idct}(\text{QF} \circ \text{DC}^{8 \times 8})$ is a pixel partially decoded using the DC matrix, $\text{DC}^{8 \times 8}$ is an 8x8 block of DC components in the quantized DCT coefficients (D), $\text{QF}_{x,y}$ is a quantization table of 8x8 block at location (x,

7

y), $p^{AC} = \text{idct}(QF \circ AC^{8 \times 8})$ is a pixel block partially decoded using the AC matrix, and $AC^{8 \times 8}$ is an 8×8 block of AC components in the quantized DCT coefficients (D).

4. The apparatus for compressing JPEG images according to claim 1, wherein the decoding unit further comprises a DC coefficient generation unit to generate the quantized DC pixel value ($p_{x,y}^{DC}$) by decoding the pixel at the specific block location (x, y) in the quantized DC component using the following Equation 3, and generate the quantized DC coefficient ($D_{0,0}$) by decoding the pixel at the specific block location (x, y) using the following Equation 4 rewritten from the Equation 3:

$$p_{x,y}^{DC} = \frac{1}{\sqrt{2}} \frac{1}{\sqrt{2}} \frac{QF_{0,0} \times D_{0,0}}{4} \cos(0)\cos(0) = \frac{QF_{0,0} \times D_{0,0}}{8} \quad \text{[Equation 3]}$$

$$D_{0,0} = \frac{8}{QF_{0,0}} \times p_{x,y}^{DC} \quad \text{[Equation 4]}$$

5. The apparatus for compressing JPEG images according to claim 4, wherein the decoding unit further comprises a DC coefficient estimation unit to predict the estimated quantized DC coefficient of the target block as an average value of pixels of the target block to be decoded using an average of pixels of the decoded block adjacent to the target block.

6. The apparatus for compressing JPEG images according to claim 5, wherein the DC coefficient estimation unit generates a predicted quantized DC pixel value ($\hat{p}_{x,y}^{DC}$) by decoding the pixel at the specific block location (x, y) by the following Equation 5:

$$\hat{p}_{x,y}^{DC} = \frac{\sum_{n=0}^7 (N_{7,n} - p_{0,n}^{AC} - 128) + (W_{n,7} - p_{n,0}^{AC} - 128)}{16} = \quad \text{[Equation 5]}$$

8

-continued

$$\frac{\sum_{n=0}^7 N_{7,n} - p_{0,n}^{AC} + W_{n,7} - p_{n,0}^{AC}}{16} - 128$$

where $N_{7,n}$ is a nearest pixel on a northern side of the target block among the decoded pixel values, $W_{n,7}$ is a nearest pixel on a western side of the target block among the decoded pixel values, $p_{0,n}^{AC}$ is a pixel adjacent to block N among the pixels of the target block decoded using only the quantized AC, and $p_{n,0}^{AC}$ is a pixel adjacent to block W among the pixels of the target block decoded using only the quantized AC.

7. The apparatus for compressing JPEG images according to claim 6, wherein the DC coefficient estimation unit generates the following Equation 6 by substituting the above Equation 5 into the above Equation 4, and predicts the estimated quantized DC coefficient ($\hat{D}_{0,0}$) through the Equation 6:

$$\hat{D}_{0,0} = \left[\frac{8 \times \sum_{n=0}^7 N_{7,n} - p_{0,n}^{AC} + W_{n,7} - p_{n,0}^{AC}}{QF_{0,0} \times 16} - 128 \right] \quad \text{[Equation 6]}$$

8. A method for compressing Joint Photographic Experts Group (JPEG) images, comprising:

- decoding a pixel at a specific block location (x, y) to generate a quantized DC coefficient;
- predicting an estimated quantized DC coefficient of a target block to be decoded using quantized AC coefficients of the target block and a pixel value of a decoded block adjacent to the target block;
- calculating an estimation error value which is the quantized DC coefficient minus the estimated quantized DC coefficient; and
- encoding the estimation error value by Huffman coding and run-length coding.

* * * * *