

CORRECTED VERSION

(19) World Intellectual Property Organization
International Bureau



(10) International Publication Number
WO 2017/179077 A8

(43) International Publication Date
19 October 2017 (19.10.2017)

(51) International Patent Classification:
E05B 27/00 (2006.01)

(72) Inventors: **FABBRI, Matteo**; Corso Garibaldi Giuseppe, 146, 47121 Forlì (IT). **FUSTINI, Fausto**; Via Piancastelli, 1, 48014 Castel Bolognese (IT).

(21) International Application Number:
PCT/IT2016/000093

(74) Agent: **MODIANO, Micaela** et al.; Modiano & Partners, Via Meravigli, 16, 20123 Milano (IT).

(22) International Filing Date:
13 April 2016 (13.04.2016)

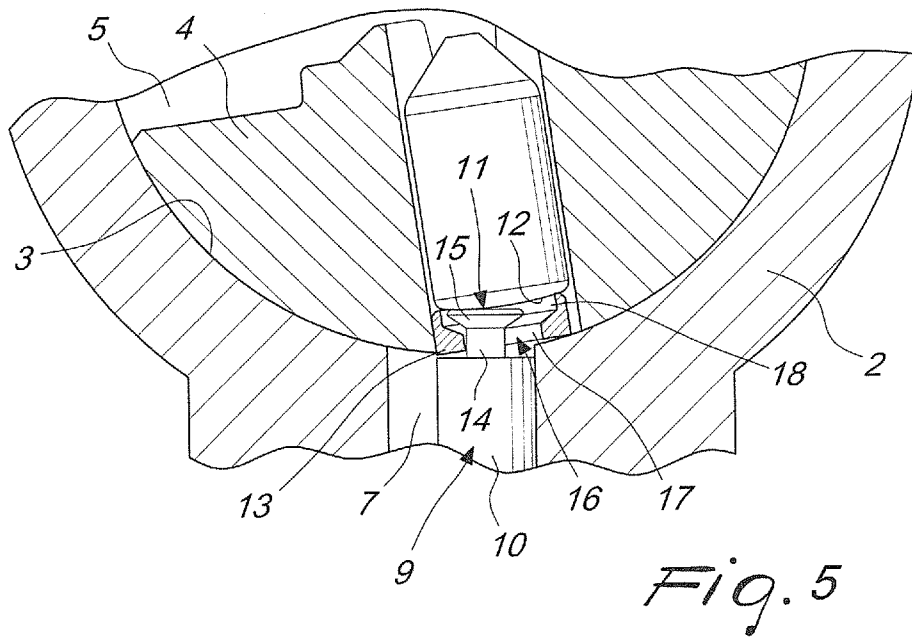
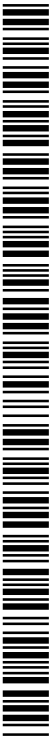
(81) Designated States (unless otherwise indicated, for every kind of national protection available): AE, AG, AL, AM, AO, AT, AU, AZ, BA, BB, BG, BH, BN, BR, BW, BY, BZ, CA, CH, CL, CN, CO, CR, CU, CZ, DE, DK, DM, DO, DZ, EC, EE, EG, ES, FI, GB, GD, GE, GH, GM, GT, HN, HR, HU, ID, IL, IN, IR, IS, JP, KE, KG, KN, KP, KR, KZ, LA, LC, LK, LR, LS, LU, LY, MA, MD, ME, MG, MK, MN, MW, MX, MY, MZ, NA, NG, NI, NO, NZ, OM, PA, PE, PG, PH, PL, PT, QA, RO, RS, RU, RW, SA, SC, SD, SE,

(25) Filing Language: Italian

(26) Publication Language: English

(71) Applicant: **CISA S.P.A.** [IT/IT]; Via Guglielmo Oberdan, 42, 48018 Faenza (IT).

(54) Title: ANTI-INTRUSION CYLINDER FOR LOCKS



WO 2017/179077 A8

(57) Abstract: An anti-intrusion cylinder (1) for locks, comprising a stator (2) provided with a substantially cylindrical longitudinal cavity (3) for accommodating a rotor (4) with a longitudinal recess (5) for the insertion of a key (6); the rotor (4) and the stator (2) comprise a plurality of channels (7), which are substantially aligned and face each other when the cylinder (1) is in the closed configuration; the channels (7) accommodate respective coding pins (8), driver pins (9) and optional elastic means (7a) preset to prevent the rotation of the rotor (4) in the stator (2) in the absence of the key (6) in the longitudinal recess (5); at least one of the driver pins (9) comprises a stem (10), which is accommodated slidingly with mechanical play in the portion of the stator (2) of a respective channel (7); the stem (10) is provided with a mushroom-shaped tip (11) that has a smaller diameter than the stem (10). The tip (11) faces and is proximate to the corresponding coding pin (8); at least one contoured annular body (13) has a diameter substantially similar to the diameter of the channel (7) and is fitted with mechanical play on the mushroom-shaped tip (11).

SG, SK, SL, SM, ST, SV, SY, TH, TJ, TM, TN, TR, TT, TZ,
UA, UG, US, UZ, VC, VN, ZA, ZM, ZW.

- (84) Designated States** (*unless otherwise indicated, for every kind of regional protection available*): ARIPO (BW, GH, GM, KE, LR, LS, MW, MZ, NA, RW, SD, SL, ST, SZ, TZ, UG, ZM, ZW), Eurasian (AM, AZ, BY, KG, KZ, RU, TJ, TM), European (AL, AT, BE, BG, CH, CY, CZ, DE, DK, EE, ES, FI, FR, GB, GR, HR, HU, IE, IS, IT, LT, LU, LV, MC, MK, MT, NL, NO, PL, PT, RO, RS, SE, SI, SK, SM, TR), OAPI (BF, BJ, CF, CG, CI, CM, GA, GN, GQ, GW, KM, ML, MR, NE, SN, TD, TG).

Published:

— *with international search report (Art. 21(3))*

(48) Date of publication of this corrected version:

29 November 2018 (29.11.2018)

(15) Information about Correction:

see Notice of 29 November 2018 (29.11.2018)
