

(19) World Intellectual Property Organization
International Bureau



(43) International Publication Date
13 September 2007 (13.09.2007)

PCT

(10) International Publication Number
WO 2007/102876 A3

(51) International Patent Classification:
B60H 1/24 (2006.01)

(21) International Application Number:

PCT/US2006/049050

(22) International Filing Date:

21 December 2006 (21.12.2006)

(25) Filing Language:

English

(26) Publication Language:

English

(30) Priority Data:

60/763,597 31 January 2006 (31.01.2006) US
11/595,586 9 November 2006 (09.11.2006) US

(71) Applicant (for all designated States except US): **ILLINOIS TOOL WORKS INC.** [US/US]; 3600 West Lake Avenue, Glenview, IL 60026 (US).

(72) Inventors; and

(75) Inventors/Applicants (for US only): **LEVEY, Kenneth, R.** [US/US]; 3600 West Lake Avenue, Glenview, IL 60026 (US). **PARKER, Eric, G.** [US/US]; 3600 West Lake Avenue, Glenview, IL 60026 (US). **KING, Thomas, S.** [US/US]; 3600 West Lake Avenue, Glenview, IL 60026 (US).

(74) Agent: **HAUPTMAN, Benjamin, J.**; Lowe Hauptman & Berner, LLP, 1700 Diagonal Rd., Suite 300, Alexandria, VA 22314 (US).

(81) Designated States (unless otherwise indicated, for every kind of national protection available): AE, AG, AL, AM, AT, AU, AZ, BA, BB, BG, BR, BW, BY, BZ, CA, CH, CN, CO, CR, CU, CZ, DE, DK, DM, DZ, EC, EE, EG, ES, FI, GB, GD, GE, GH, GM, GT, HN, HR, HU, ID, IL, IN, IS, JP, KE, KG, KM, KN, KP, KR, KZ, LA, LC, LK, LR, LS, LT, LU, LV, LY, MA, MD, MG, MK, MN, MW, MX, MY, MZ, NA, NG, NI, NO, NZ, OM, PG, PH, PL, PT, RO, RS, RU, SC, SD, SE, SG, SK, SL, SM, SV, SY, TJ, TM, TN, TR, TT, TZ, UA, UG, US, UZ, VC, VN, ZA, ZM, ZW.

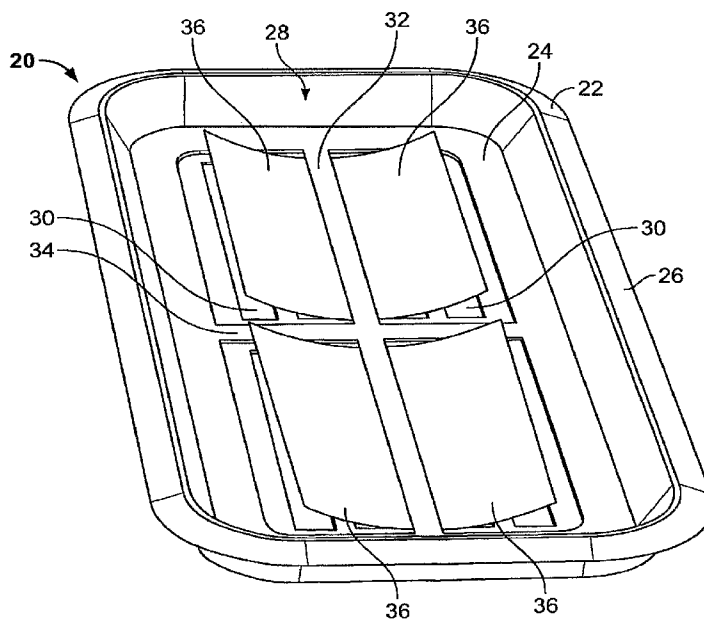
(84) Designated States (unless otherwise indicated, for every kind of regional protection available): ARIPO (BW, GH, GM, KE, LS, MW, MZ, NA, SD, SL, SZ, TZ, UG, ZM, ZW), Eurasian (AM, AZ, BY, KG, KZ, MD, RU, TJ, TM), European (AT, BE, BG, CH, CY, CZ, DE, DK, EE, ES, FI, FR, GB, GR, HU, IE, IS, IT, LT, LU, LV, MC, NL, PL, PT, RO, SE, SI, SK, TR), OAPI (BF, BJ, CF, CG, CI, CM, GA, GN, GQ, GW, ML, MR, NE, SN, TD, TG).

Published:

— with international search report

[Continued on next page]

(54) Title: PRESSURE RELIEF ASSEMBLY



(57) Abstract: Embodiments of the present invention provide a pressure relief assembly that may include an inner shell having at least one air passage, and at least one membrane flap sealingly covering the air passage. The membrane flap is configured to move to open the air passage based on an air pressure level. The assembly may also include an outer shell secured to the inner shell, wherein an air channel is defined between the inner shell and the outer shell. The outer shell is configured to protect said inner shell from moisture. The assembly may also include at least one moisture catching ledge surrounding the air passage. The moisture catching ledge is configured to trap moisture that passes by the membrane flap.



WO 2007/102876 A3



— *before the expiration of the time limit for amending the claims and to be republished in the event of receipt of amendments*

For two-letter codes and other abbreviations, refer to the "Guidance Notes on Codes and Abbreviations" appearing at the beginning of each regular issue of the PCT Gazette.

(88) Date of publication of the international search report:

22 November 2007

INTERNATIONAL SEARCH REPORT

International application No
PCT/US2006/049050

A. CLASSIFICATION OF SUBJECT MATTER INV. B60H1/24		
According to International Patent Classification (IPC) or to both national classification and IPC		
B. FIELDS SEARCHED		
Minimum documentation searched (classification system followed by classification symbols) B60H		
Documentation searched other than minimum documentation to the extent that such documents are included in the fields searched		
Electronic data base consulted during the international search (name of data base and, where practical, search terms used) EPO-Internal		
C. DOCUMENTS CONSIDERED TO BE RELEVANT		
Category*	Citation of document, with indication, where appropriate, of the relevant passages	Relevant to claim No.
X	DE 44 34 136 A1 (BAYERISCHE MOTOREN WERKE AG [DE]) 28 March 1996 (1996-03-28)	10-12, 14
Y	the whole document	13
Y	EP 1 491 373 A1 (TRW AUTOMOTIVE U S LLC [US]) 29 December 2004 (2004-12-29)	13
A	paragraph [0021]; claims; figures	6, 7, 18, 19
A	US 2002/164943 A1 (MISNER HOWARD R [US]) 7 November 2002 (2002-11-07)	8, 10, 15
A	paragraphs [0022] - [0027]; figures	
A	GB 2 170 900 A (FORD MOTOR CO) 13 August 1986 (1986-08-13)	1-20
	the whole document	
<input type="checkbox"/> Further documents are listed in the continuation of Box C. <input checked="" type="checkbox"/> See patent family annex.		
* Special categories of cited documents :		
A document defining the general state of the art which is not considered to be of particular relevance *E* earlier document but published on or after the international filing date *L* document which may throw doubts on priority claim(s) or which is cited to establish the publication date of another citation or other special reason (as specified) *O* document referring to an oral disclosure, use, exhibition or other means *P* document published prior to the international filing date but later than the priority date claimed	*T* later document published after the international filing date or priority date and not in conflict with the application but cited to understand the principle or theory underlying the invention *X* document of particular relevance; the claimed invention cannot be considered novel or cannot be considered to involve an inventive step when the document is taken alone *Y* document of particular relevance; the claimed invention cannot be considered to involve an inventive step when the document is combined with one or more other such documents, such combination being obvious to a person skilled in the art. *&* document member of the same patent family	
Date of the actual completion of the international search <p style="text-align: center; font-weight: bold;">20 September 2007</p>	Date of mailing of the international search report <p style="text-align: center; font-weight: bold;">28/09/2007</p>	
Name and mailing address of the ISA/ European Patent Office, P.B. 5818 Patentlaan 2 NL - 2280 HV Rijswijk Tel. (+31-70) 340-2040, Tx. 31 651 epo nl, Fax: (+31-70) 340-3016	Authorized officer <p style="text-align: center; font-weight: bold;">Chavel, Jérôme</p>	

INTERNATIONAL SEARCH REPORT

Information on patent family members

International application No

PCT/US2006/049050

Patent document cited in search report	Publication date	Patent family member(s)	Publication date
DE 4434136	A1	28-03-1996	NONE
EP 1491373	A1	29-12-2004	KR 20050001424 A US 2004261867 A1
US 2002164943	A1	07-11-2002	NONE
GB 2170900	A	13-08-1986	DE 3503600 A1 FR 2576851 A1