

(19) World Intellectual Property Organization  
International Bureau



(43) International Publication Date  
6 October 2005 (06.10.2005)

PCT

(10) International Publication Number  
WO 2005/091919 A3

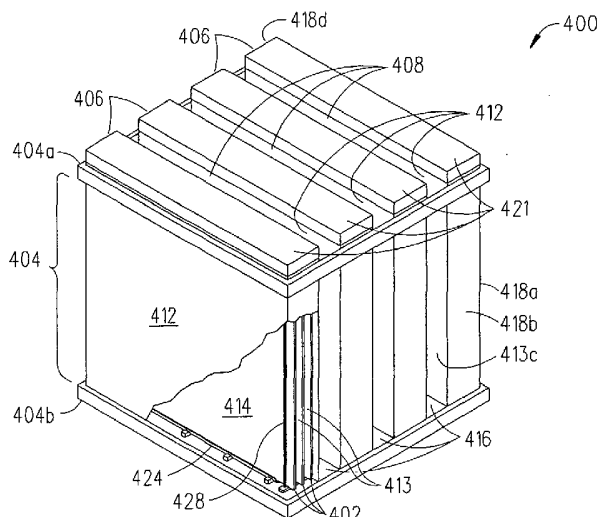
- (51) International Patent Classification:  
C03B 27/04 (2006.01)
- (21) International Application Number:  
PCT/US2005/006636
- (22) International Filing Date:  
25 February 2005 (25.02.2005)
- (25) Filing Language: English
- (26) Publication Language: English
- (30) Priority Data:  
10/794,938 5 March 2004 (05.03.2004) US
- (71) Applicant (for all designated States except US): **CORNING INCORPORATED** [US/US]; 1 Riverfront Plaza, Corning, NY 14831 (US).
- (72) Inventor; and
- (75) Inventor/Applicant (for US only): **DAVIDSON, Ronald, A.** [US/US]; 40 West Sullivanville Road, Horseheads, NY 14845 (US).
- (74) Agent: **BEALL, Thomas, R.**; Corning Incorporated, Patent Department\SP-TI-3-1, Corning, NY 14831 (US).

- (81) Designated States (unless otherwise indicated, for every kind of national protection available): AE, AG, AL, AM, AT, AU, AZ, BA, BB, BG, BR, BW, BY, BZ, CA, CH, CN, CO, CR, CU, CZ, DE, DK, DM, DZ, EC, EE, EG, ES, FI, GB, GD, GE, GH, GM, HR, HU, ID, IL, IN, IS, JP, KE, KG, KP, KR, KZ, LC, LK, LR, LS, LT, LU, LV, MA, MD, MG, MK, MN, MW, MX, MZ, NA, NI, NO, NZ, OM, PG, PH, PL, PT, RO, RU, SC, SD, SE, SG, SK, SL, SM, SY, TJ, TM, TN, TR, TT, TZ, UA, UG, US, UZ, VC, VN, YU, ZA, ZM, ZW.
- (84) Designated States (unless otherwise indicated, for every kind of regional protection available): ARIPO (BW, GH, GM, KE, LS, MW, MZ, NA, SD, SL, SZ, TZ, UG, ZM, ZW), Eurasian (AM, AZ, BY, KG, KZ, MD, RU, TJ, TM), European (AT, BE, BG, CH, CY, CZ, DE, DK, EE, ES, FI, FR, GB, GR, HU, IE, IS, IT, LT, LU, MC, NL, PL, PT, RO, SE, SI, SK, TR), OAPI (BF, BJ, CF, CG, CI, CM, GA, GN, GQ, GW, ML, MR, NE, SN, TD, TG).

- Published:
- with international search report
  - before the expiration of the time limit for amending the claims and to be republished in the event of receipt of amendments

[Continued on next page]

(54) Title: CLOSED CASSETTE AND METHOD FOR HEAT TREATING GLASS SHEETS



(57) Abstract: A convection compatible closed cassette and method are described herein where the closed cassette is used to heat treat (compact) one or more glass sheets in a uniform manner and in a clean environment. In the preferred embodiment, the closed cassette includes multiple enclosed sections that are supported by a mounting structure in a manner where there is an open passage-way between the major surfaces of each pair of the supported enclosed sections. And, each enclosed section is designed to hold and support multiple glass sheets in a manner where there is a space between the major surfaces of each pair of the supported glass sheets. In operation, the closed cassette is placed into an oven (e.g., lehr, batch kiln) so that hot/cold unfiltered air can flow across the major surfaces of each enclosed section and uniformly heat/cool the enclosed glass sheets.

WO 2005/091919 A3



---

**(88) Date of publication of the international search report:**

21 September 2006

*For two-letter codes and other abbreviations, refer to the "Guidance Notes on Codes and Abbreviations" appearing at the beginning of each regular issue of the PCT Gazette.*

**INTERNATIONAL SEARCH REPORT**

International application No.  
PCT/US05/06636

**A. CLASSIFICATION OF SUBJECT MATTER**  
 IPC: C03B 27/04( 2006.01)  
  
 USPC: 65/111  
 According to International Patent Classification (IPC) or to both national classification and IPC

**B. FIELDS SEARCHED**  
 Minimum documentation searched (classification system followed by classification symbols)  
 U.S. : Please See Continuation Sheet

Documentation searched other than minimum documentation to the extent that such documents are included in the fields searched

Electronic data base consulted during the international search (name of data base and, where practicable, search terms used)  
 East: cassette, glass sheet, rack, enclosure, thin wall

**C. DOCUMENTS CONSIDERED TO BE RELEVANT**

Category *	Citation of document, with indication, where appropriate, of the relevant passages	Relevant to claim No.
X --- Y	US 1,534,864 (OLIVER et al) 19 December 1919 (19.12.1919), page 1, lines 7-8, 25-45, page 2, lines 1-16.	1 ----- 5, 13, 17
X --- Y	US 6,588,232 (SUZUKI et al) 08 July 2003 (08.07.2003), column 6, lines 10, 35, 46-48, 59-60, column 14, lines 53-60, figures 16, 4, & 5.	1 ----- 5, 13, 17
Y	US 5,974,833 (VAHA-ANTILA et al) 02 November 1999 (02.11.1999), column 1, lines 40-50.	5, 12, 13, 17, 20
Y	US 6,176,023 B1 (DOCHE) 23 January 2001 (23.01.2001), column 1, line 28 to column 3, line 45, column 5, lines 42-48, column 12, lines 7-8, 31-34, figures 1A, 1A, 2A & 2B.	2, 8, 11-13, 17, 18, 20,
Y	US 4,086,263 (ROWLEY) 25 April 1978 (25.04.1978), column 2, lines 33-35, column 3, lines 56-57, column 4, lines 25-34, figure 1.	3-4, 9-10

Further documents are listed in the continuation of Box C.       See patent family annex.

* Special categories of cited documents:			
"A"	document defining the general state of the art which is not considered to be of particular relevance	"T"	later document published after the international filing date or priority date and not in conflict with the application but cited to understand the principle or theory underlying the invention
"E"	earlier application or patent published on or after the international filing date	"X"	document of particular relevance; the claimed invention cannot be considered novel or cannot be considered to involve an inventive step when the document is taken alone
"L"	document which may throw doubts on priority claim(s) or which is cited to establish the publication date of another citation or other special reason (as specified)	"Y"	document of particular relevance; the claimed invention cannot be considered to involve an inventive step when the document is combined with one or more other such documents, such combination being obvious to a person skilled in the art
"O"	document referring to an oral disclosure, use, exhibition or other means	"&"	document member of the same patent family
"P"	document published prior to the international filing date but later than the priority date claimed		

Date of the actual completion of the international search: 25 July 2006 (25.07.2006)  
 Date of mailing of the international search report: 04 AUG 2006

Name and mailing address of the ISA/US:  
 Mail Stop PCT, Attn: ISA/US  
 Commissioner for Patents  
 P.O. Box 1450  
 Alexandria, Virginia 22313-1450  
 Facsimile No. (571) 273-3201

Authorized officer: *Steven Griffin*  
 Steven Griffin  
 Telephone No. 571-272-1700

## INTERNATIONAL SEARCH REPORT

International application No.  
PCT/US05/06636

C. (Continuation) DOCUMENTS CONSIDERED TO BE RELEVANT		
Category *	Citation of document, with indication, where appropriate, of the relevant passages	Relevant to claim No.
Y	US 2,026,165 (GOODWILLIE) 01 August 1934 (01.08.1934), page 3, lines 18-22.	14
Y	US 6,053,011 (LISEC) 25 April 2000 (25.04.2000), column 3, lines 35-38.	14
Y	US 4,488,192 (TRESSEDER) 11 December 1984 (11.12.1984), column 3, lines 1-31.	6, 15, 18
A	JP 411079389A (TAKASHIMA et al) 23 March 1999 (23.03.1999).	1, 5, 13, 17
A	JP 11079388A (TAKASHIMA et al) 23 March 1999 (23.03.1999).	1, 5, 13, 17

**INTERNATIONAL SEARCH REPORT**

International application No.  
PCT/US05/06636

Continuation of B. FIELDS SEARCHED Item 1:

65/111, 63, 69, 41, 95, 114, 117, 118, 157, 194, 254, 274, 289, 104, 24, 25.2, 102, 106, 182.1, 182.2, 348, 355: 134/48; 432/184, 204, 120, 121, 210; 34/202; 271/198, 264, 7