



(12) **EUROPEAN PATENT APPLICATION**

(88) Date of publication A3:
13.04.2005 Bulletin 2005/15

(51) Int Cl.7: **G09F 13/26, F21V 21/10**

(43) Date of publication A2:
15.09.2004 Bulletin 2004/38

(21) Application number: **03386013.1**

(22) Date of filing: **15.05.2003**

(84) Designated Contracting States:
**AT BE BG CH CY CZ DE DK EE ES FI FR GB GR
 HU IE IT LI LU MC NL PT RO SE SI SK TR**
 Designated Extension States:
AL LT LV MK

(71) Applicant: **Palaiohorinos, Ioannis
 TK 570 22 Thessaloniki (GR)**

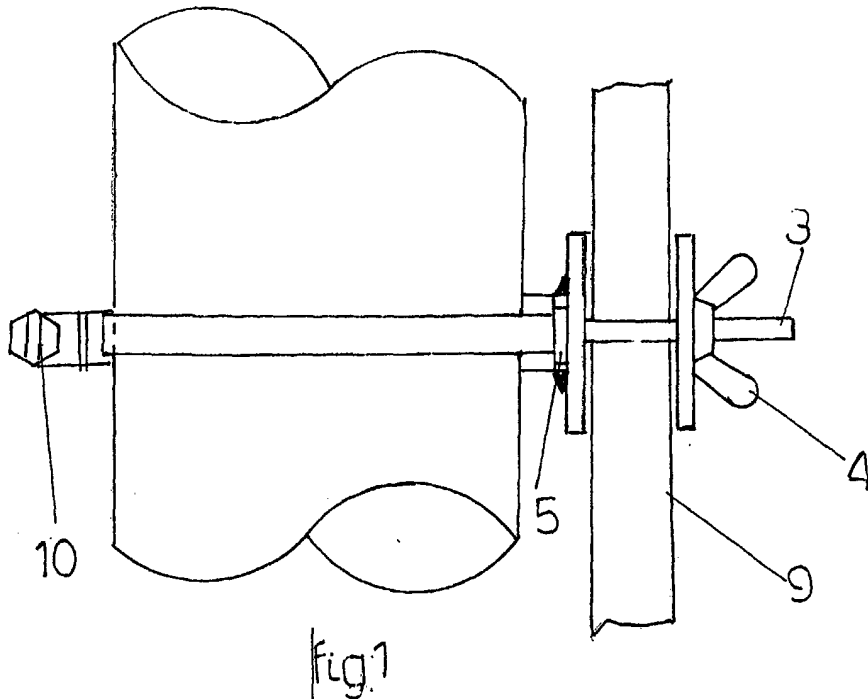
(72) Inventor: **Palaiohorinos, Ioannis
 TK 570 22 Thessaloniki (GR)**

(30) Priority: **12.03.2003 GR 2003100121**

(54) **Method of producing and mounting a support for decorations**

(57) It is a support method which is applied to collars for stable construction with special reception form (straight metal sheet with straight profile, straight sheet

with curved profile and straight sheet with supporting edge) of separated decorations of light pipe or garlands with lamps decorating streets and squares.





DOCUMENTS CONSIDERED TO BE RELEVANT			
Category	Citation of document with indication, where appropriate, of relevant passages	Relevant to claim	CLASSIFICATION OF THE APPLICATION (Int.Cl.7)
X	US 5 181 774 A (LANE LEE [CA]) 26 January 1993 (1993-01-26) * column 1, line 59 - column 3, line 51 * * figures 1,4,5 *	1	G09F13/26 F21V21/10
X	----- US 6 357 709 B1 (PARDUHN A PHILIP [US] UNIN- PARDUHN A. PHILIP UNPA- PARDUHN A. PHILIP) 19 March 2002 (2002-03-19) * abstract * * column 3, line 24 - column 4, line 9 * * figure 2 *	1	
A	----- US 1 200 403 A (N. WEYER) 3 October 1916 (1916-10-03) * the whole document *	1	
A	----- US 1 357 295 A (LORNE MCNAUGHTON ALEXANDER UNIN- MCNAUGHTON ALEXANDER LORNE) 2 November 1920 (1920-11-02) * the whole document *	1	
A	----- US 3 746 294 A (JOHNSTON L) 17 July 1973 (1973-07-17) * abstract * * figures 1-3 *	1	
The present search report has been drawn up for all claims			TECHNICAL FIELDS SEARCHED (Int.Cl.7)
			G09F F21V F21L F16B
Place of search		Date of completion of the search	Examiner
The Hague		18 February 2005	Cosnard, D
CATEGORY OF CITED DOCUMENTS			
X : particularly relevant if taken alone Y : particularly relevant if combined with another document of the same category A : technological background O : non-written disclosure P : intermediate document		T : theory or principle underlying the invention E : earlier patent document, but published on, or after the filing date D : document cited in the application L : document cited for other reasons & : member of the same patent family, corresponding document	

2
EPO FORM 1508 03/82 (P04CO1)

**ANNEX TO THE EUROPEAN SEARCH REPORT
ON EUROPEAN PATENT APPLICATION NO.**

EP 03 38 6013

This annex lists the patent family members relating to the patent documents cited in the above-mentioned European search report. The members are as contained in the European Patent Office EDP file on
The European Patent Office is in no way liable for these particulars which are merely given for the purpose of information.

18-02-2005

Patent document cited in search report	Publication date	Patent family member(s)	Publication date
US 5181774	A	26-01-1993	NONE
US 6357709	B1	19-03-2002	CA 2310862 A1 23-12-2000
US 1200403	A		NONE
US 1357295	A	02-11-1920	NONE
US 3746294	A	17-07-1973	NONE

EPO FORM P0459

For more details about this annex : see Official Journal of the European Patent Office, No. 12/82