



US00D430320S

# United States Patent [19] Ham

[11] Patent Number: Des. 430,320

[45] Date of Patent: \*\* Aug. 29, 2000

[54] NIGHT LIGHT

D. 389,591 1/1998 Blackman et al. .... D26/26  
D. 393,911 4/1998 Steckelenburg ..... D26/26

[76] Inventor: **Byung I. Ham**, 16550 E. Blackburn Dr., La Mirada, Calif. 90638

*Primary Examiner*—Cynthia E Ramirez  
*Attorney, Agent, or Firm*—Blakely Sokoloff Taylor & Zafman

[\*\*] Term: 14 Years

[21] Appl. No.: 29/115,258

### [57] CLAIM

[22] Filed: Dec. 9, 1999

The ornamental design for a night light, as shown and described.

[51] LOC (7) Cl. .... 26-05

[52] U.S. Cl. .... D26/26

[58] Field of Search ..... D26/25, 24, 26,  
D26/85, 72; 362/147, 404, 367, 226

### DESCRIPTION

### [56] References Cited

#### U.S. PATENT DOCUMENTS

D. 331,292	11/1992	Ham	.....	D26/26
D. 332,836	1/1993	Ham	.....	D26/26
D. 342,799	12/1993	Ham	.....	D26/26
D. 347,703	6/1994	Ham	.....	D26/26
D. 374,294	10/1996	Yuen	.....	D26/26
D. 380,564	7/1997	Yuen	.....	D26/26

FIG. 1 is a perspective view of a night light of one embodiment of the invention.

FIG. 2 is a front elevational view of the night light of FIG. 1.

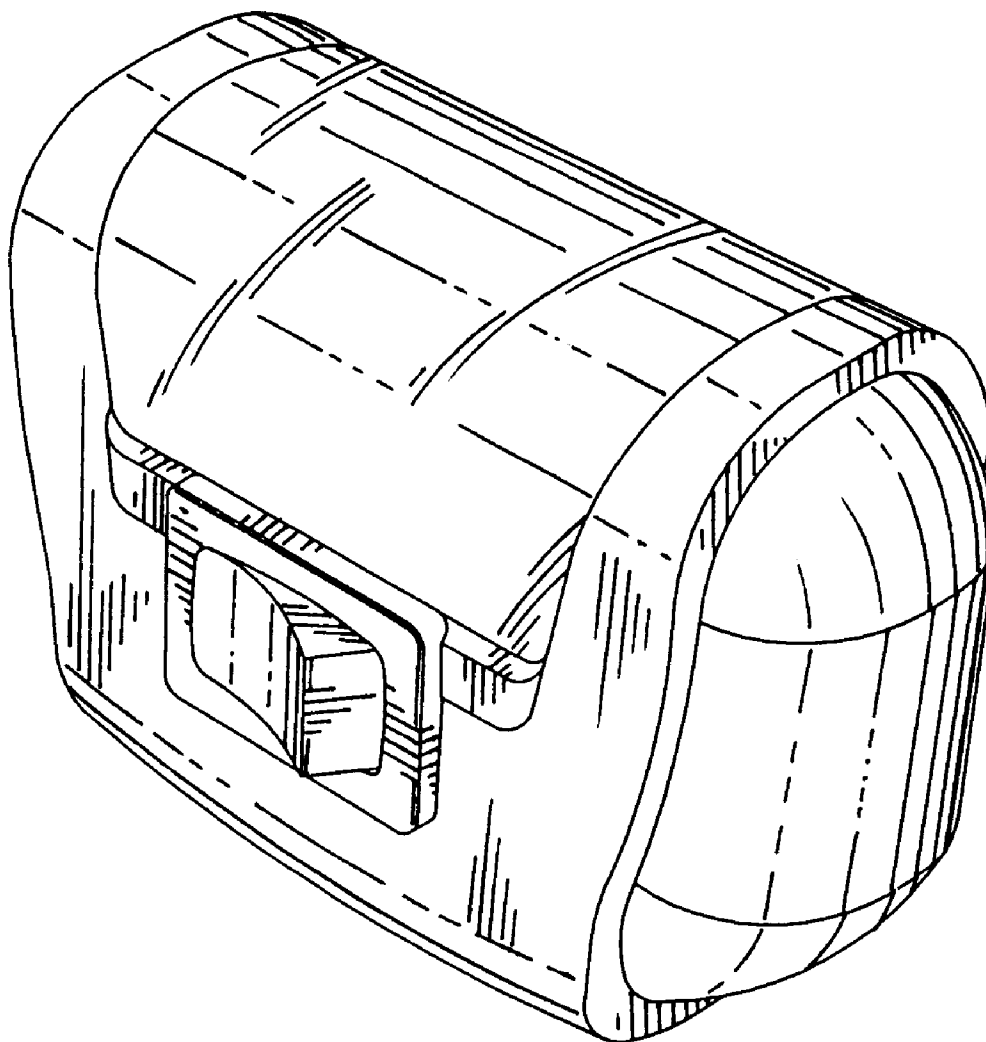
FIG. 3 is a side elevational view of the night light of FIG. 1, the other side being a mirror image thereof.

FIG. 4 is a rear elevational view of the night light of FIG. 1.

FIG. 5 is a top plan view of the night light of FIG. 1; and

FIG. 6 is a bottom plan view of the night light of FIG. 1.

1 Claim, 2 Drawing Sheets



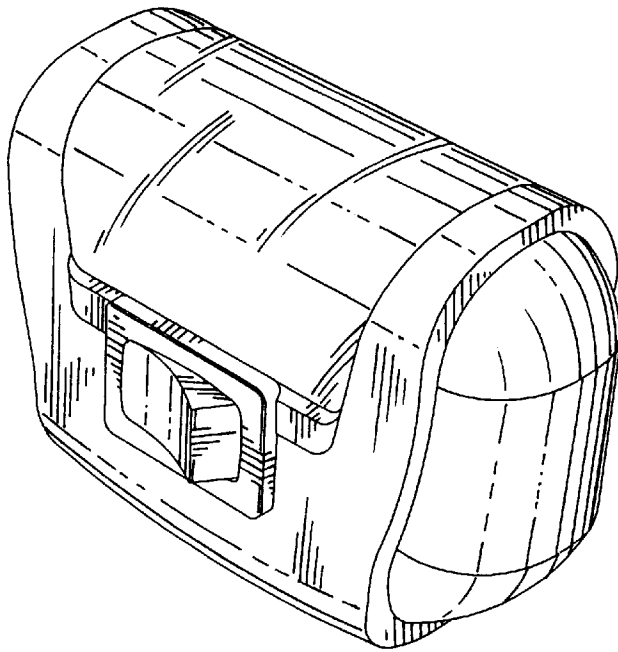


FIG. 1

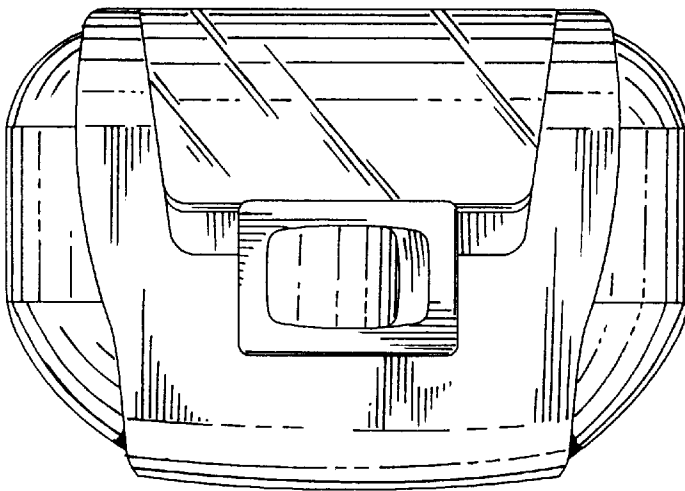


FIG. 2

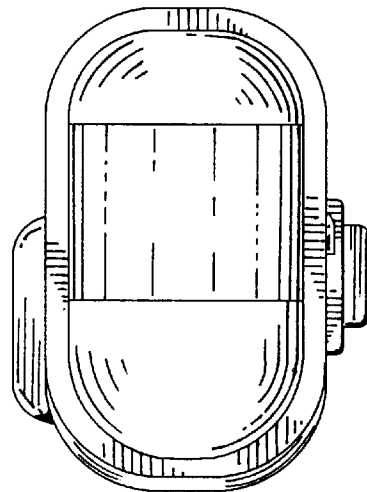


FIG. 3

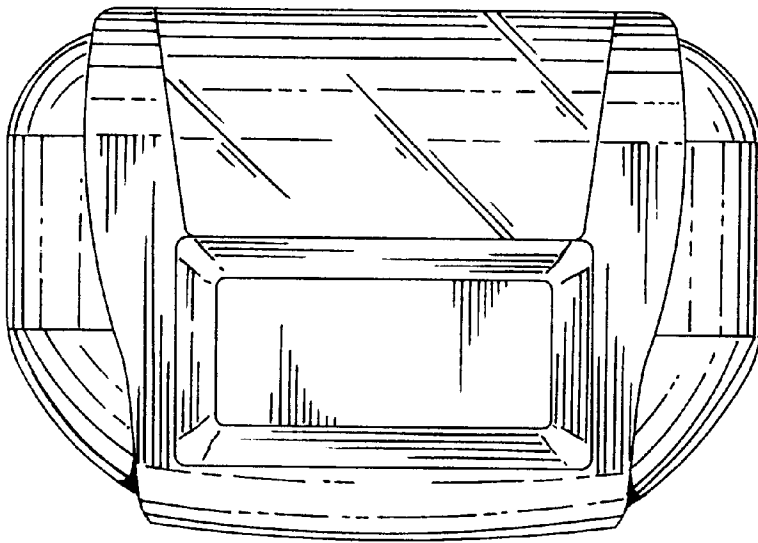


FIG. 4

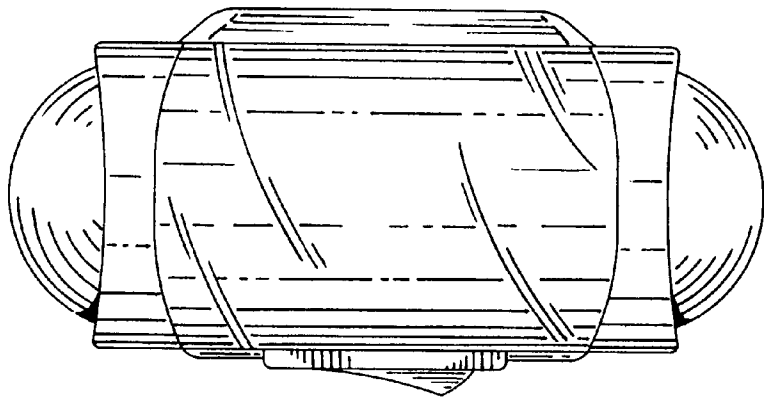


FIG. 5

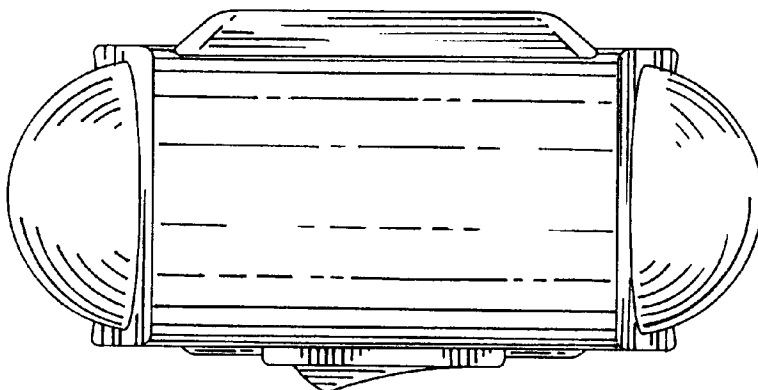


FIG. 6