



(11) **EP 2 393 191 A3**

(12) **EUROPEAN PATENT APPLICATION**

(88) Date of publication A3:
06.03.2013 Bulletin 2013/10

(51) Int Cl.:
G09G 3/36 (2006.01) H02M 3/158 (2006.01)

(43) Date of publication A2:
07.12.2011 Bulletin 2011/49

(21) Application number: **10167062.8**

(22) Date of filing: **23.06.2010**

(84) Designated Contracting States:
AL AT BE BG CH CY CZ DE DK EE ES FI FR GB GR HR HU IE IS IT LI LT LU LV MC MK MT NL NO PL PT RO SE SI SK SM TR
Designated Extension States:
BA ME RS

(72) Inventors:
• **Ahn, Yong Sung Gyeonggi-do (KR)**
• **Choi, Jung Min Daejeon-si (KR)**
• **Cha, Sang Rok Chungcheongbuk-do (KR)**

(30) Priority: **07.05.2010 KR 20100042793**

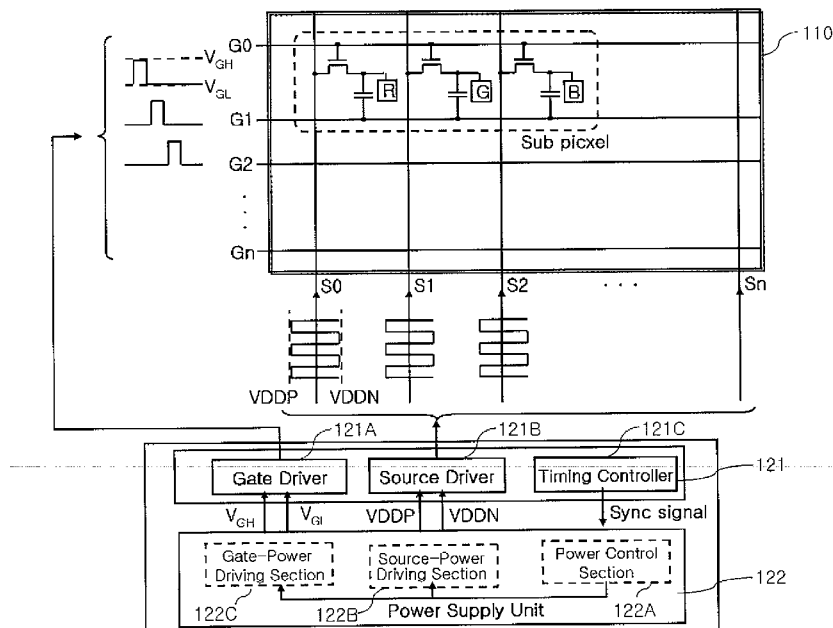
(74) Representative: **Neobard, William John Kilburn & Strode LLP 20 Red Lion Street London WC1R 4PJ (GB)**

(54) **Boost converter for liquid crystal display**

(57) In order that a boost converter of an LDI can reduce electromagnetic interference by generating a panel driving voltage through the use of a variable frequency, while achieving a stable boosting operation using the same frequency whenever each frame begins,

an oscillator generates an oscillation signal having a frequency, which varies in a predetermined pattern or hops in a random pattern around a center frequency, and generates an oscillation signal having a preset fixed frequency whenever each frame begins.

FIG. 1



EP 2 393 191 A3



EUROPEAN SEARCH REPORT

Application Number
EP 10 16 7062

DOCUMENTS CONSIDERED TO BE RELEVANT			
Category	Citation of document with indication, where appropriate, of relevant passages	Relevant to claim	CLASSIFICATION OF THE APPLICATION (IPC)
A	US 2008/165167 A1 (HONG HYUN-SEOK [KR] ET AL) 10 July 2008 (2008-07-10) * paragraphs [0026] - [0034]; figures 1,2 *	1-10	INV. G09G3/36 H02M3/158
A	US 2009/135171 A1 (CHEN PO-TSUN [TW] ET AL) 28 May 2009 (2009-05-28) * abstract * * paragraphs [0059] - [0062]; figure 6 * * paragraph [0068]; figure 9 * * paragraphs [0030], [0043] - [0046]; figure 2 *	1-10	
A	US 2008/049464 A1 (CHEN CHI-JEN [TW]) 28 February 2008 (2008-02-28) * paragraphs [0018] - [0021]; figures 2,3 *	1-10	
A	EP 1 235 335 A2 (HITACHI LTD [JP]) 28 August 2002 (2002-08-28) * paragraphs [0033] - [0037]; figure 1 * * paragraphs [0055], [0056]; figure 8 *	1-10	
A	EP 2 166 657 A1 (MURATA MANUFACTURING CO [JP]) 24 March 2010 (2010-03-24) * paragraph [0031]; figure 3 * * paragraphs [0046], [0047] * * paragraphs [0061] - [0063]; figure 11 *	1-10	
The present search report has been drawn up for all claims			TECHNICAL FIELDS SEARCHED (IPC)
			G09G H02M
2	Place of search	Date of completion of the search	Examiner
	The Hague	25 January 2013	van Wesenbeeck, R
CATEGORY OF CITED DOCUMENTS		T : theory or principle underlying the invention E : earlier patent document, but published on, or after the filing date D : document cited in the application L : document cited for other reasons & : member of the same patent family, corresponding document	
X : particularly relevant if taken alone Y : particularly relevant if combined with another document of the same category A : technological background O : non-written disclosure P : intermediate document			

EPO FORM 1503 03.82 (P/4C01)

ANNEX TO THE EUROPEAN SEARCH REPORT
ON EUROPEAN PATENT APPLICATION NO.

EP 10 16 7062

This annex lists the patent family members relating to the patent documents cited in the above-mentioned European search report.
The members are as contained in the European Patent Office EDP file on
The European Patent Office is in no way liable for these particulars which are merely given for the purpose of information.

25-01-2013

Patent document cited in search report	Publication date	Patent family member(s)	Publication date
US 2008165167 A1	10-07-2008	CN 101217851 A	09-07-2008
		EP 2086097 A2	05-08-2009
		KR 20080064564 A	09-07-2008
		US 2008165167 A1	10-07-2008

US 2009135171 A1	28-05-2009	TW 200923892 A	01-06-2009
		US 2009135171 A1	28-05-2009
		US 2011141094 A1	16-06-2011

US 2008049464 A1	28-02-2008	TW 200811630 A	01-03-2008
		US 2008049464 A1	28-02-2008

EP 1235335 A2	28-08-2002	EP 1235335 A2	28-08-2002
		JP 3718830 B2	24-11-2005
		JP 2002252970 A	06-09-2002
		US 2002149351 A1	17-10-2002

EP 2166657 A1	24-03-2010	EP 2166657 A1	24-03-2010
		US 2010097829 A1	22-04-2010
		WO 2009008197 A1	15-01-2009

EPO FORM P0459

For more details about this annex : see Official Journal of the European Patent Office, No. 12/82