



US0D1006348S

(12) **United States Design Patent**
Yi

(10) **Patent No.:** **US D1,006,348 S**

(45) **Date of Patent:** **** Nov. 28, 2023**

(54) **PET HAIR LINT REMOVER**

(57) **CLAIM**

The ornamental design for a pet hair lint remover, as shown and described.

(71) Applicant: **Jiarui Yi**, Nanping (CN)

(72) Inventor: **Jiarui Yi**, Nanping (CN)

(**) Term: **15 Years**

(21) Appl. No.: **29/892,349**

(22) Filed: **May 17, 2023**

(51) **LOC (14) Cl.** **30-10**

(52) **U.S. Cl.**
USPC **D30/158**; D32/49

(58) **Field of Classification Search**
USPC D30/158, 159, 162, 199; D4/116, 117,
D4/127, 128, 136, 138, 118; D32/46, 49,
D32/51, 52

(Continued)

(56) **References Cited**

U.S. PATENT DOCUMENTS

5,491,862 A * 2/1996 Hurley F23J 3/026
15/236.08

D685,969 S * 7/2013 Smith D32/52
(Continued)

OTHER PUBLICATIONS

Anlizey Carpet Rake for Pet Hair. Anlizey, amazon.com (online) 6 pages. Posted May 26, 2023. [Retrieved Jul. 13, 2023] <https://a.co/d/czXI54G> (Year: 2023).*

(Continued)

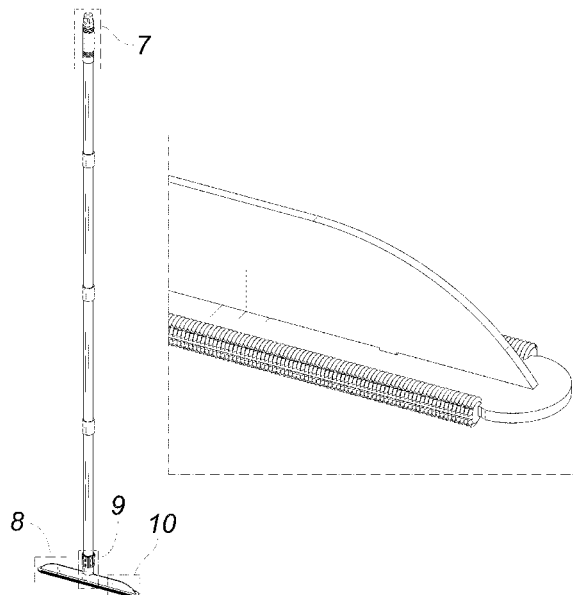
Primary Examiner — Rebekah A Caruso
Assistant Examiner — Cole Sanders Holman

(74) *Attorney, Agent, or Firm* — Jose Cherson Weissbrot

DESCRIPTION

FIG. 1 is a top perspective view of a pet hair lint remover, showing my new design;
FIG. 2 is a bottom perspective view thereof;
FIG. 3 is a front elevation view thereof, the rear elevation view is identical;
FIG. 4 is a left side elevation view thereof, the right side elevation view is identical;
FIG. 5 is an enlarged top plan view thereof;
FIG. 6 is an enlarged bottom plan view thereof;
FIG. 7 is an enlarged partial view of portion 7 in FIG. 1;
FIG. 8 is an enlarged partial view of portion 8 in FIG. 1;
FIG. 9 is an enlarged partial view of portion 9 in FIG. 1;
FIG. 10 is an enlarged partial view of portion 10 in FIG. 1;
FIG. 11 is an enlarged partial view of portion 11 in FIG. 2;
FIG. 12 is an enlarged partial view of portion 12 in FIG. 2;
FIG. 13 is an enlarged partial view of portion 13 in FIG. 2;
FIG. 14 is an enlarged partial view of portion 14 in FIG. 2;
FIG. 15 is an enlarged partial view of portion 15 in FIG. 3;
FIG. 16 is an enlarged partial view of portion 16 in FIG. 3;
FIG. 17 is an enlarged partial view of portion 17 in FIG. 3;
FIG. 18 is an enlarged partial view of portion 18 in FIG. 3;
FIG. 19 is an enlarged partial view of portion 19 in FIG. 4;
FIG. 20 is an enlarged partial view of portion 20 in FIG. 4;
FIG. 21 is an enlarged partial view of portion 21 in FIG. 5;
FIG. 22 is an enlarged partial view of portion 22 in FIG. 5;
FIG. 23 is an enlarged partial view of portion 23 in FIG. 5;
FIG. 24 is an enlarged partial view of portion 24 in FIG. 6;
FIG. 25 is an enlarged partial view of portion 25 in FIG. 6;
and,
FIG. 26 is an enlarged partial view of portion 26 in FIG. 6.
The dash-dot-dash lines define the boundaries of the enlarged views of the pet hair lint remover and form no part of the claimed design. The evenly spaced broken lines illustrate portions of the pet hair lint remover that form no part of the claimed design.

1 Claim, 16 Drawing Sheets



(58) **Field of Classification Search**

CPC A01K 13/00; A01K 13/001; A01K 13/002;
A01K 1/0263; A01K 13/006; A01K
15/00; A01K 15/04; A01K 15/02; A01K
12/00; A01K 27/002; A01K 27/001;
A47L 7/0066; A47L 7/009; A47L 9/066;
A61D 7/00; A61D 7/04; A61D 11/00;
A45D 20/00; A45D 20/04; A45D 20/08;
A45D 20/10; A45D 20/12; A45D 20/14;
A45D 20/16; A45D 29/02

See application file for complete search history.

D910,246 S 2/2021 Zhang
D935,719 S * 11/2021 Huang D32/51
D951,559 S 5/2022 Huang
D968,045 S * 10/2022 Chen D4/118
D971,615 S 12/2022 Wang
D980,553 S 3/2023 Cao
D980,569 S * 3/2023 Patel D4/118
D990,891 S * 7/2023 Chang D4/118
D994,239 S * 8/2023 Ling D30/158

OTHER PUBLICATIONS

Uproot Pet Hair Broom. Uproot, amazon.com (online) 7 pages. Posted Oct. 18, 2022. [Retrieved Jul. 13, 2023] https://www.amazon.com/dp/B0BJKG8XH9?ref_=cm_sw_r_em_ud_dp_Z9QT2NA72SXGD3ZNE3XX (Year: 2022).*
Pet Hair Remover. YaosiYenn, amazon.com (online) 4 pages. Posted Jun. 2, 2023. [Retrieved Jul. 13, 2023] https://www.amazon.com/dp/B0C6XZ7GD1?_encoding=UTF8&ppsc=1&ref_=cm_sw_r_em_ud_dp_35D1M8QGGMJYT2F80DAX (Year: 2023).*

* cited by examiner

(56)

References Cited

U.S. PATENT DOCUMENTS

D758,741 S 6/2016 Sussman
D835,916 S 12/2018 Macca
D858,998 S 9/2019 Zhang
D889,851 S 7/2020 Lei
D890,530 S 7/2020 Quan
D890,531 S 7/2020 Quan

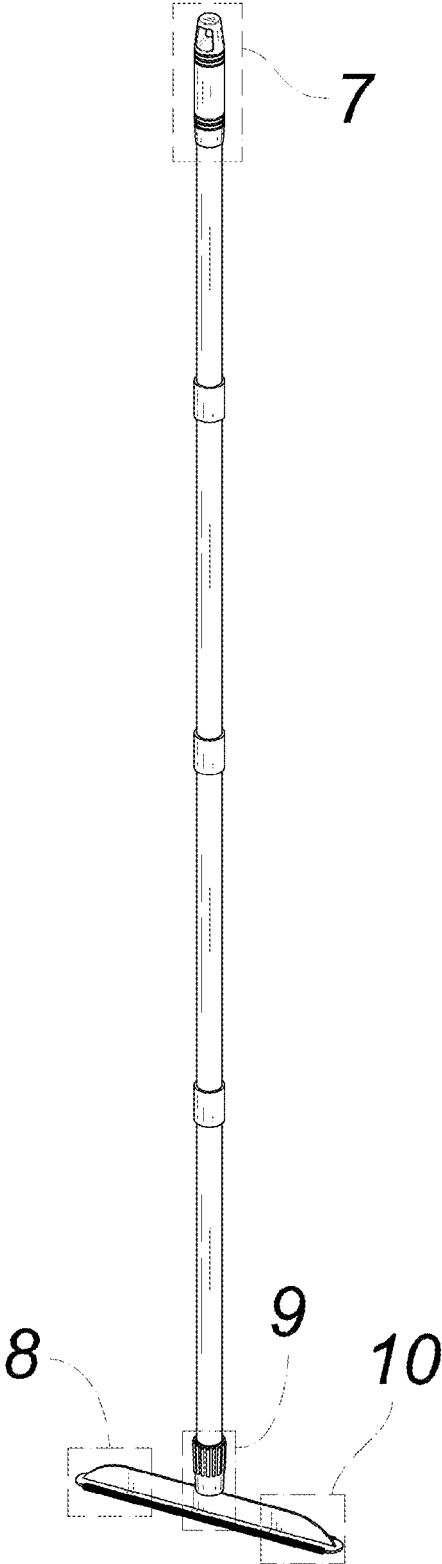


FIG. 1

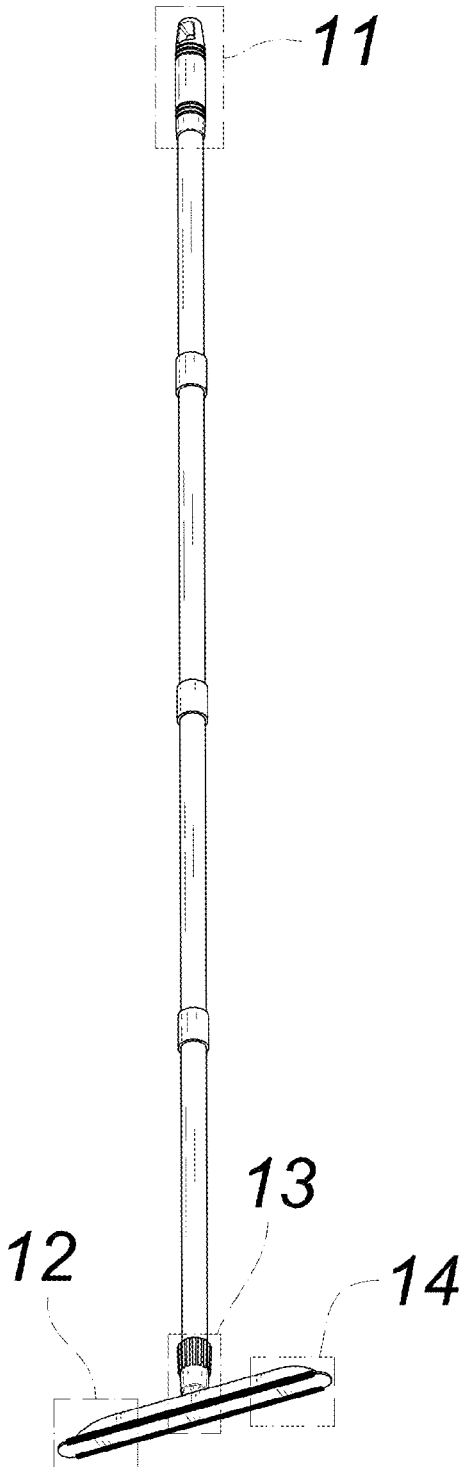


FIG. 2

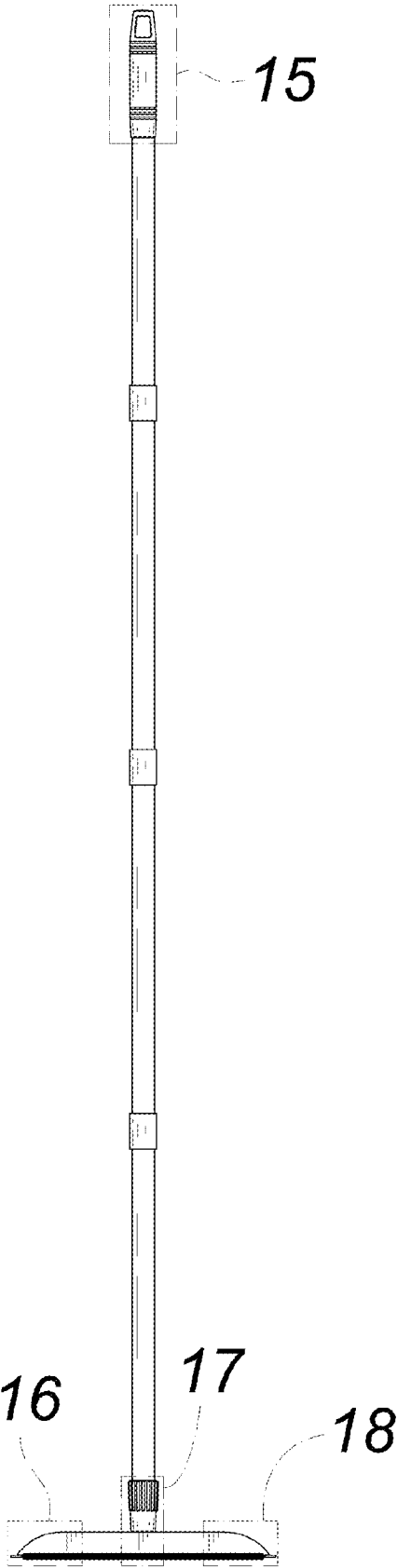


FIG. 3

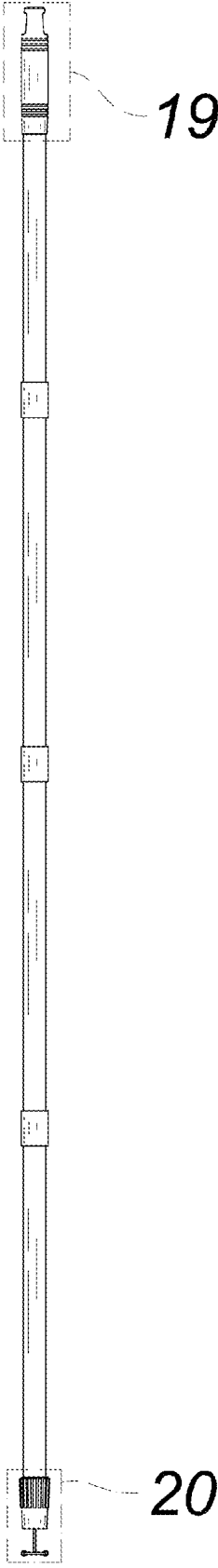


FIG. 4

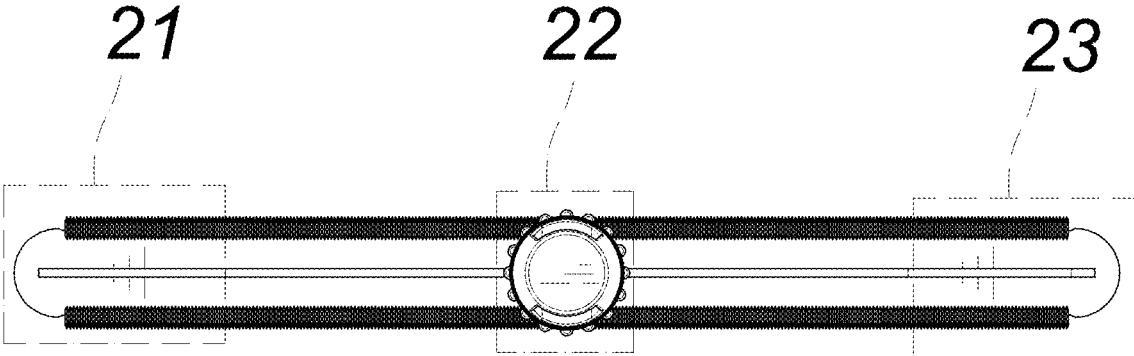


FIG. 5

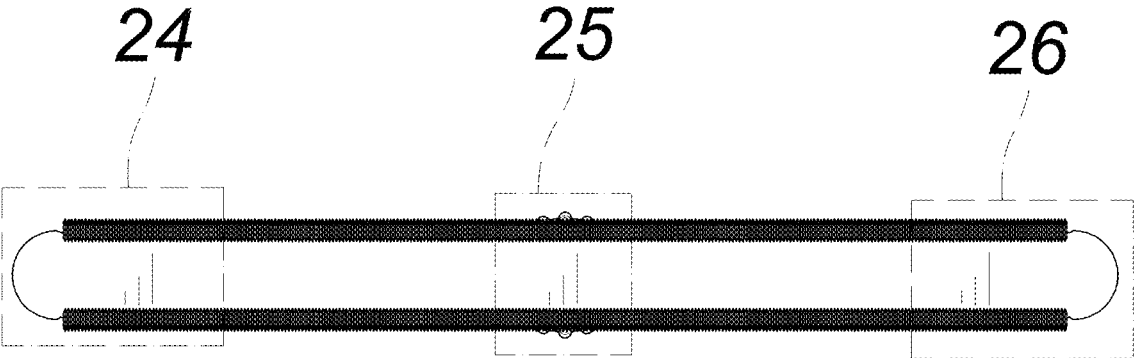


FIG. 6

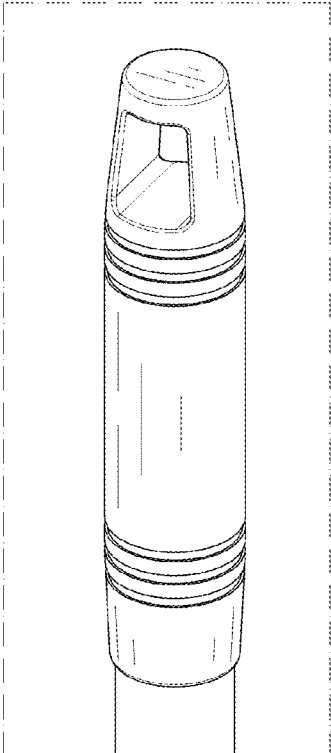


FIG. 7

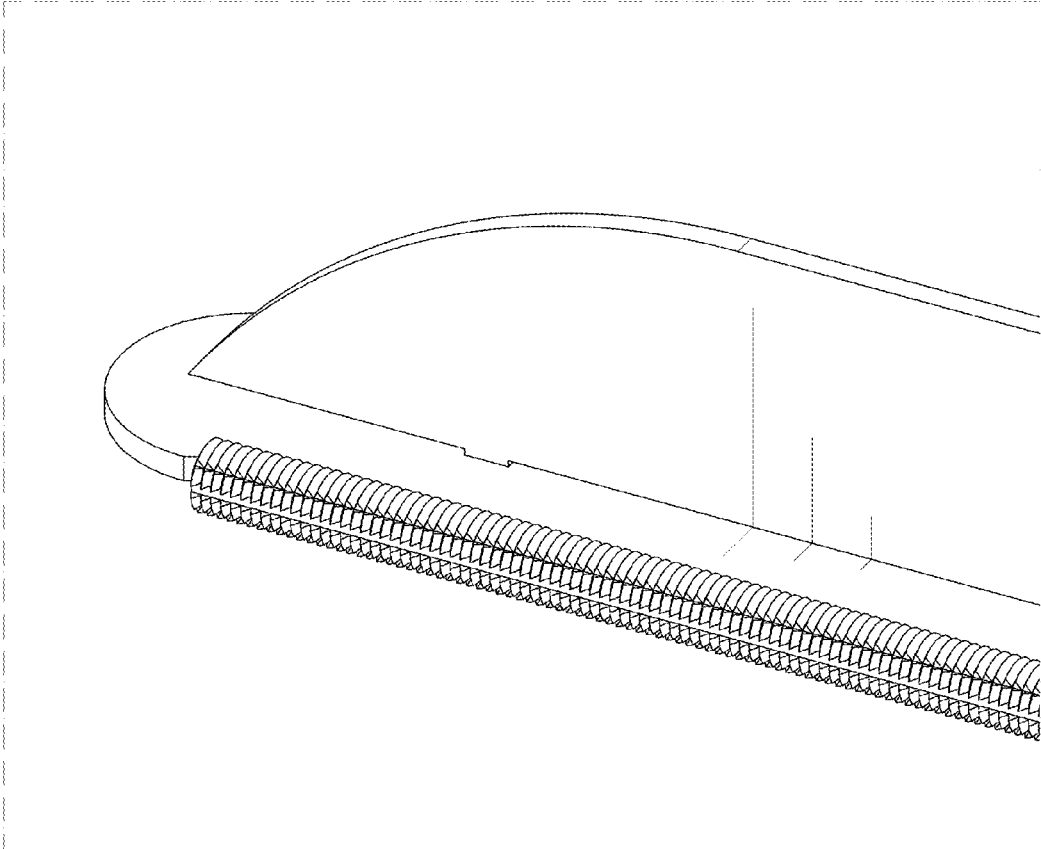


FIG. 8

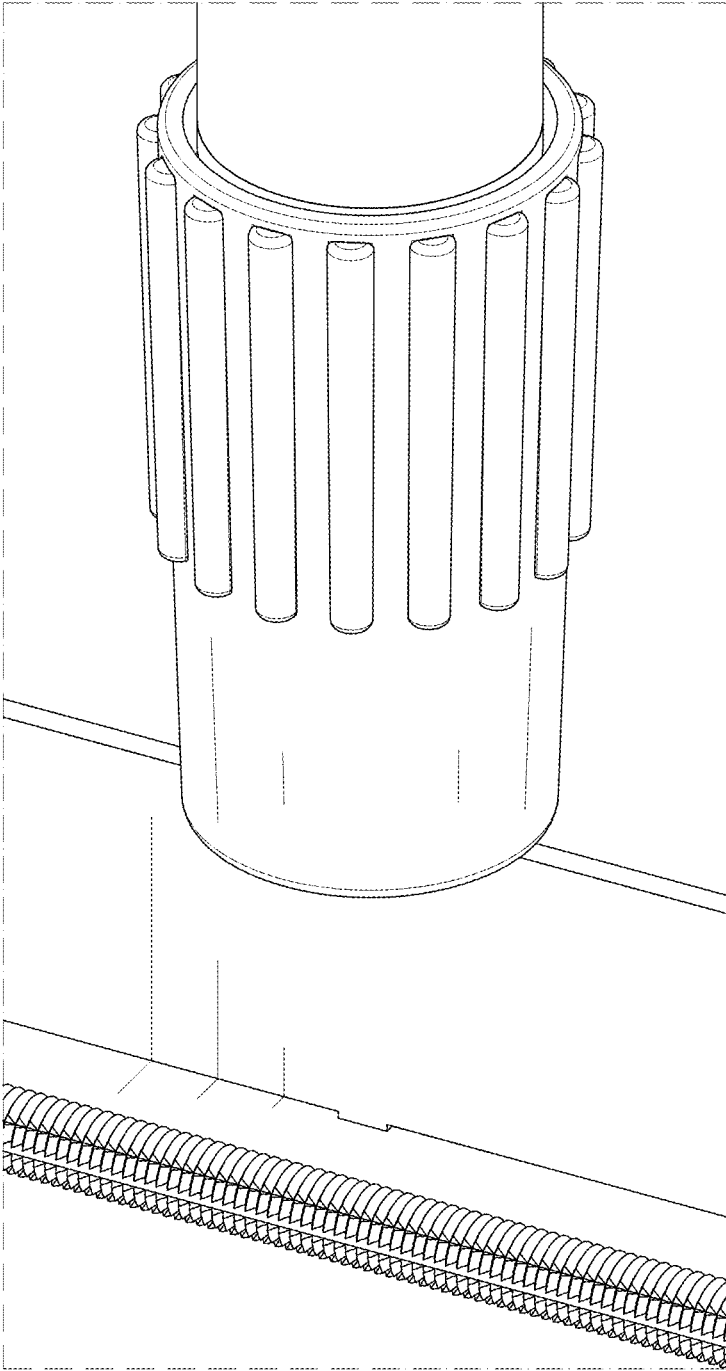


FIG.9

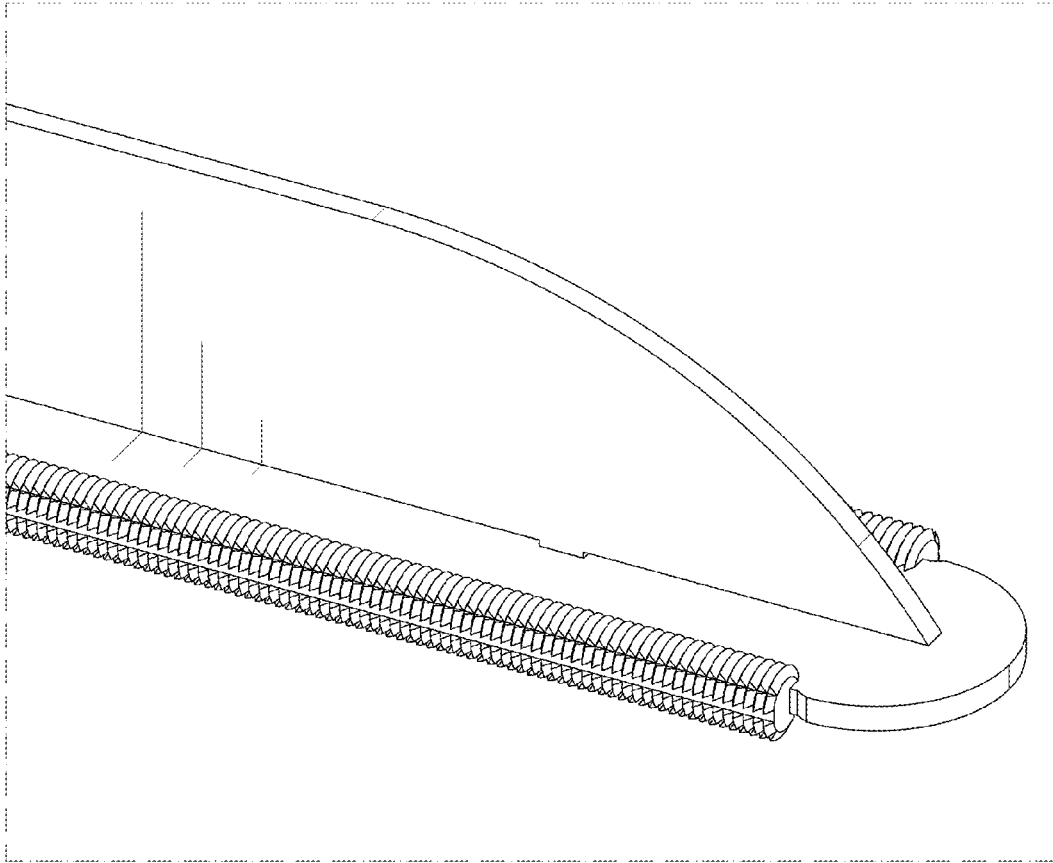


FIG. 10

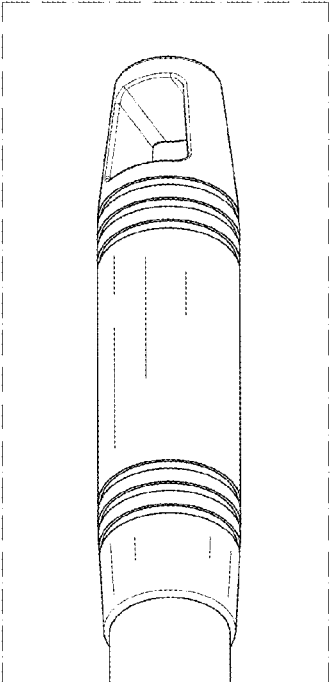


FIG. 11

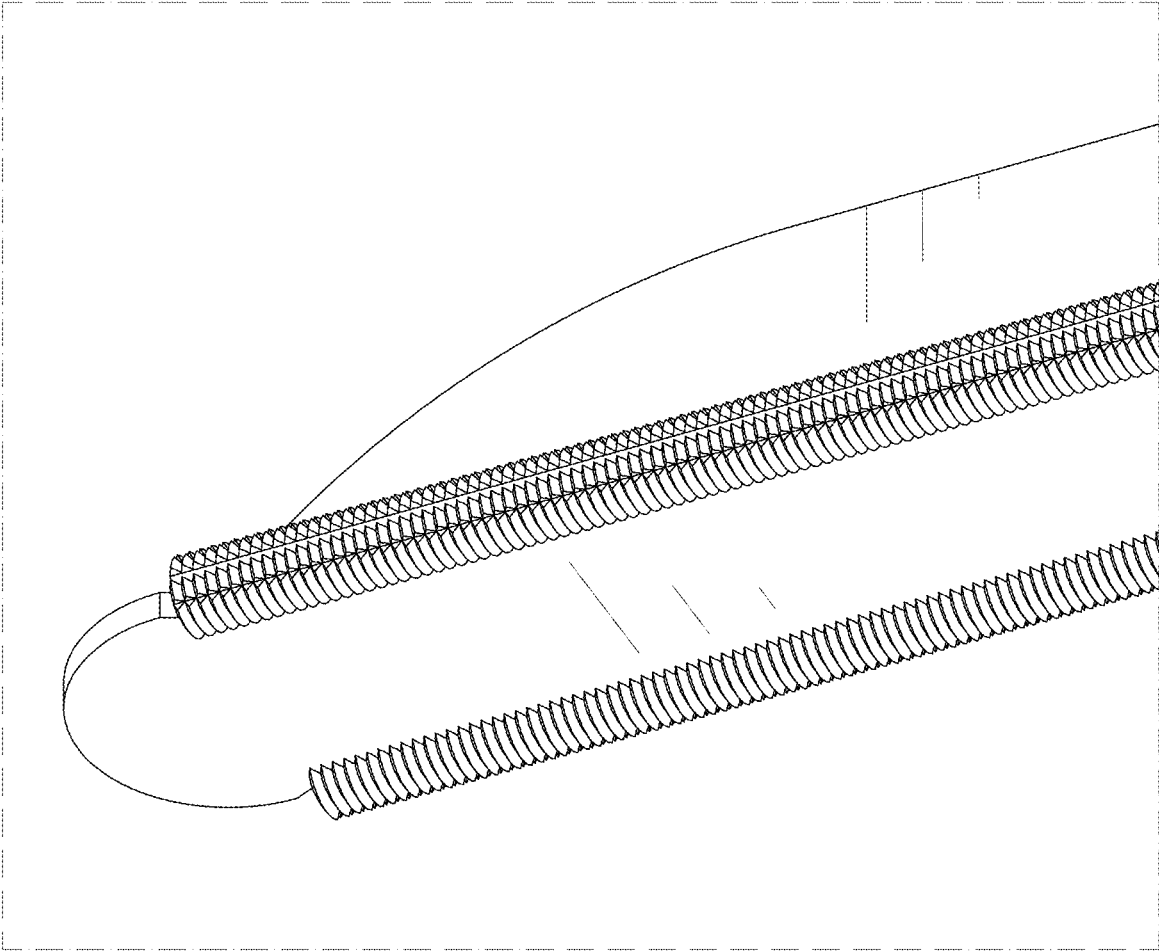


FIG. 12

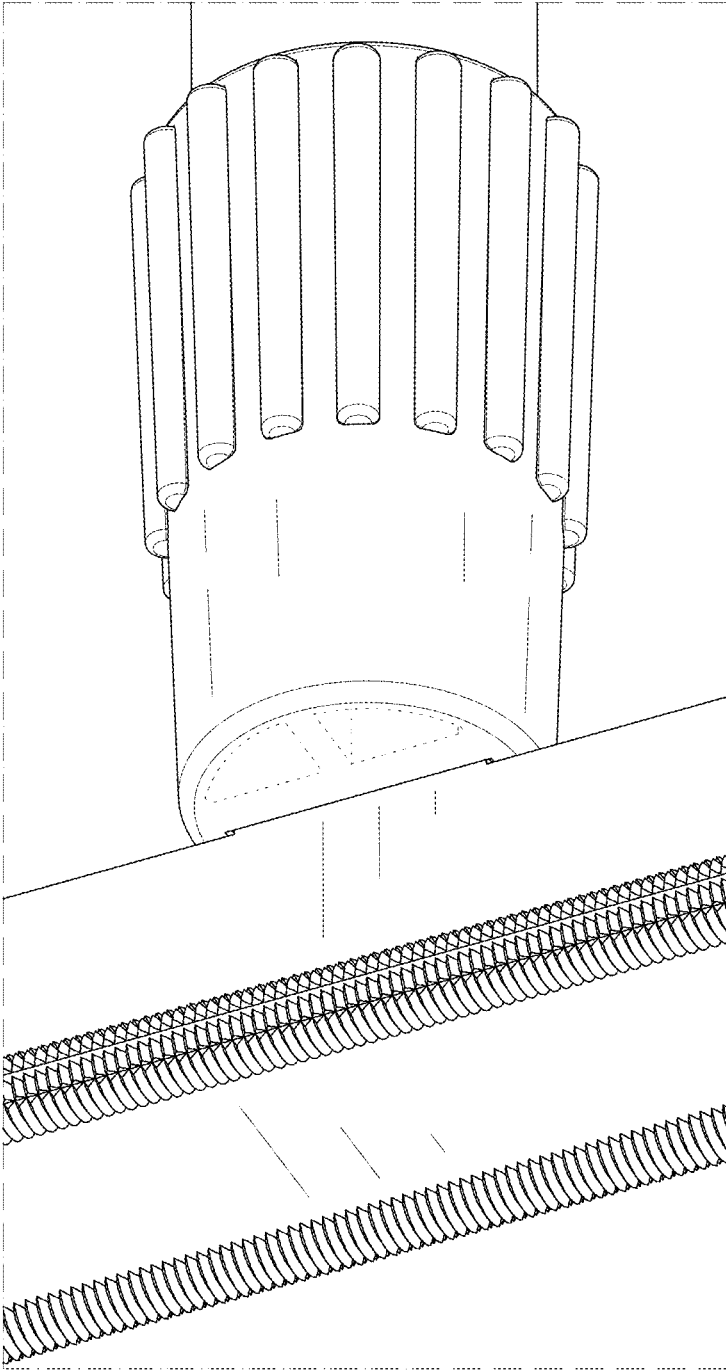


FIG. 13

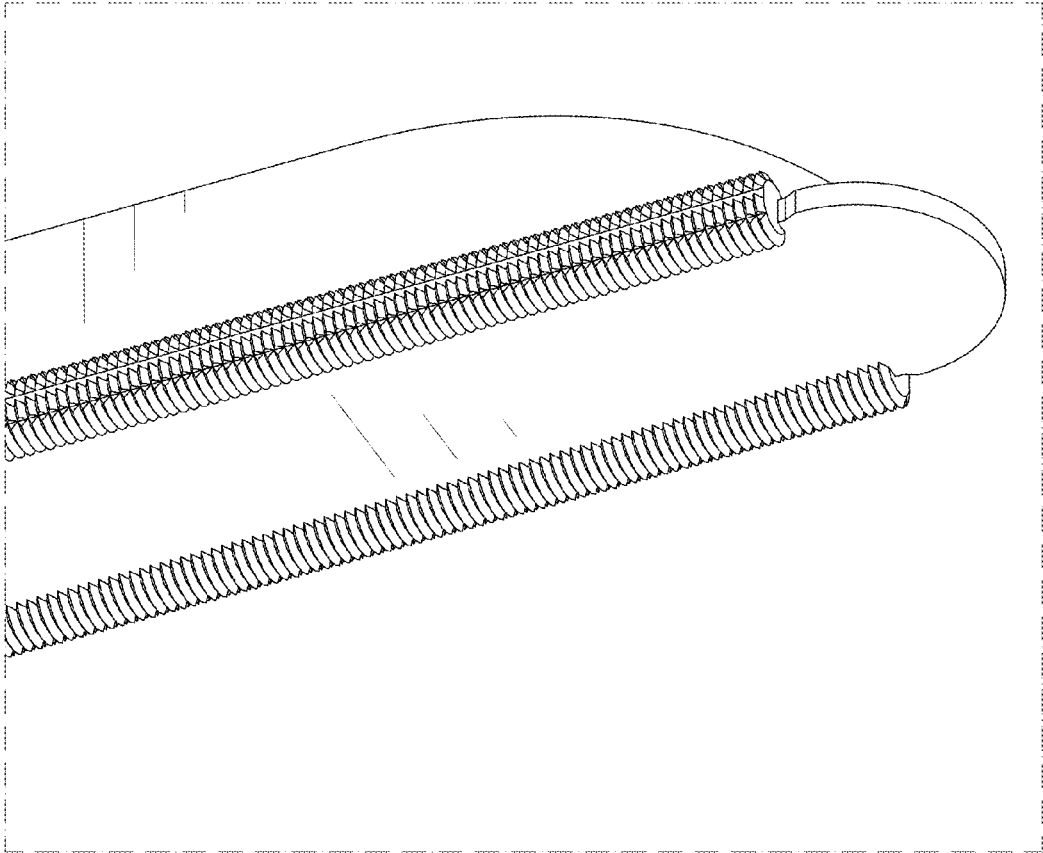


FIG. 14

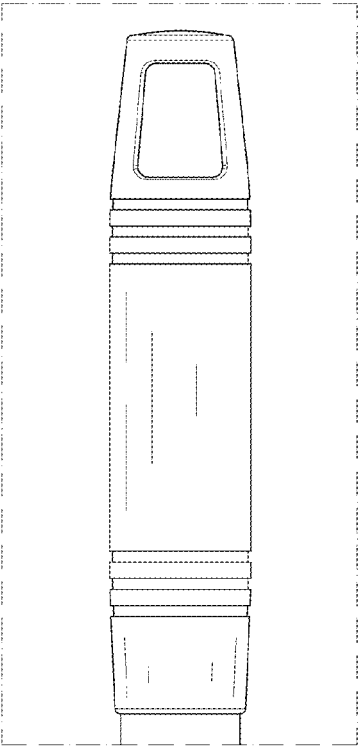


FIG. 15

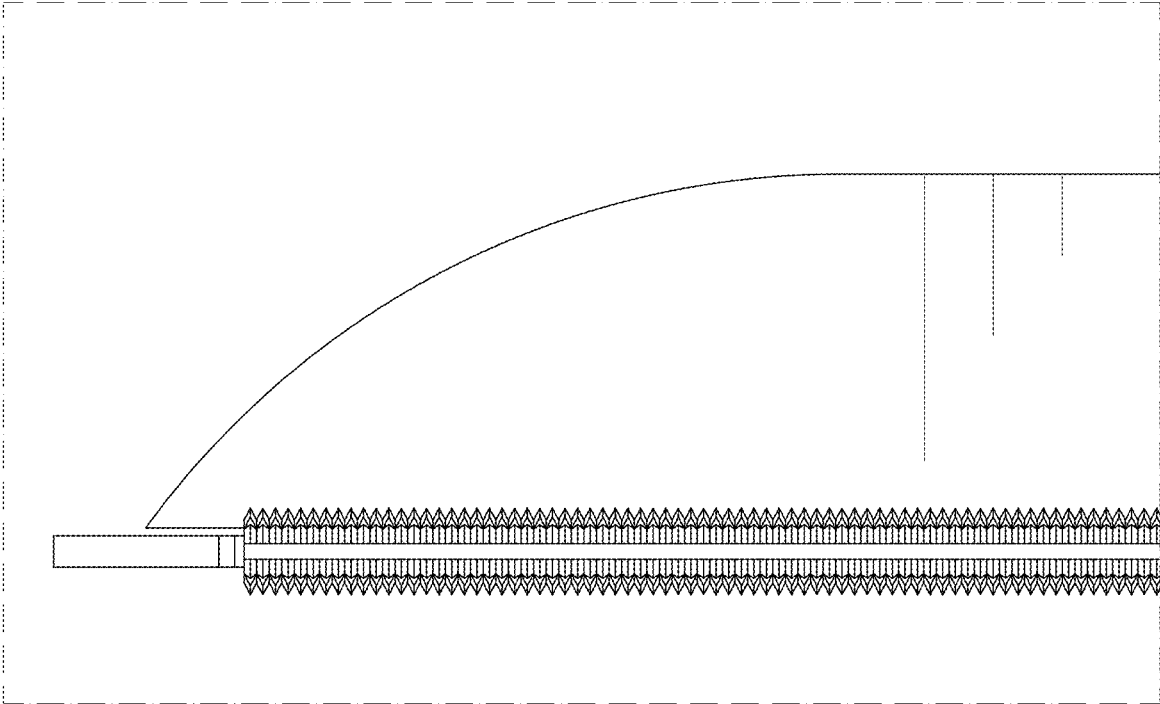


FIG. 16

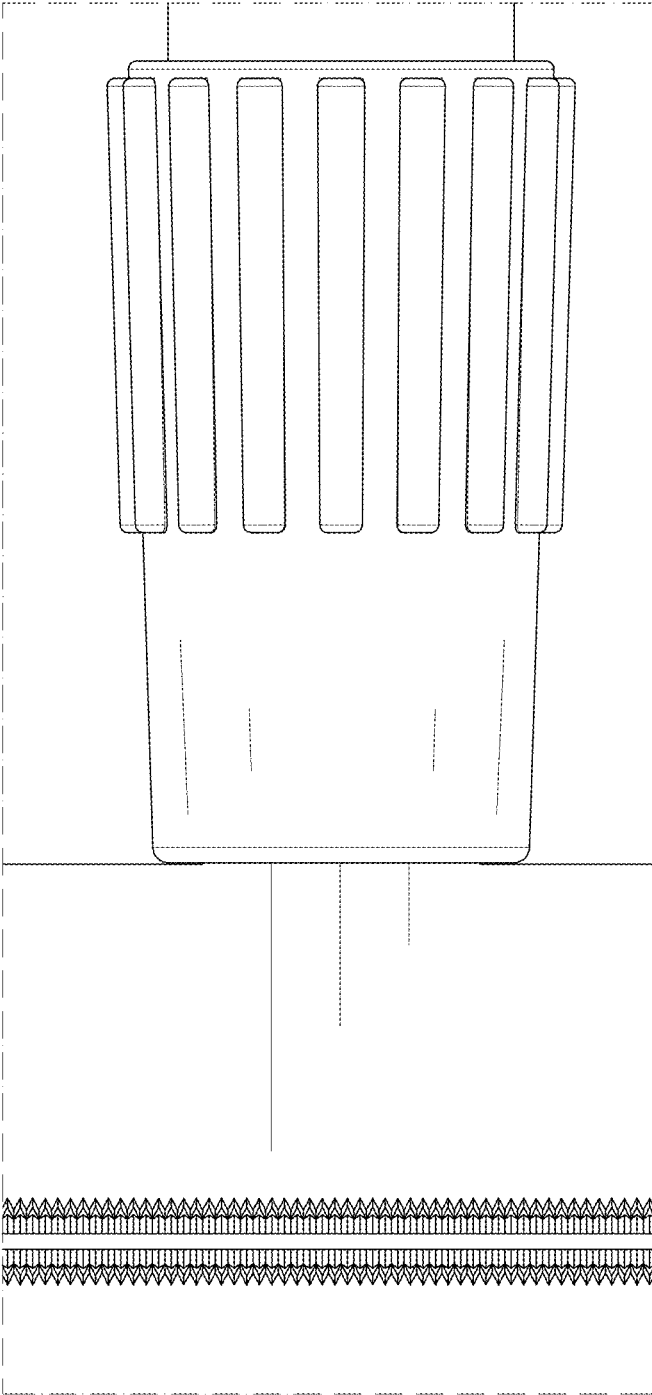


FIG. 17

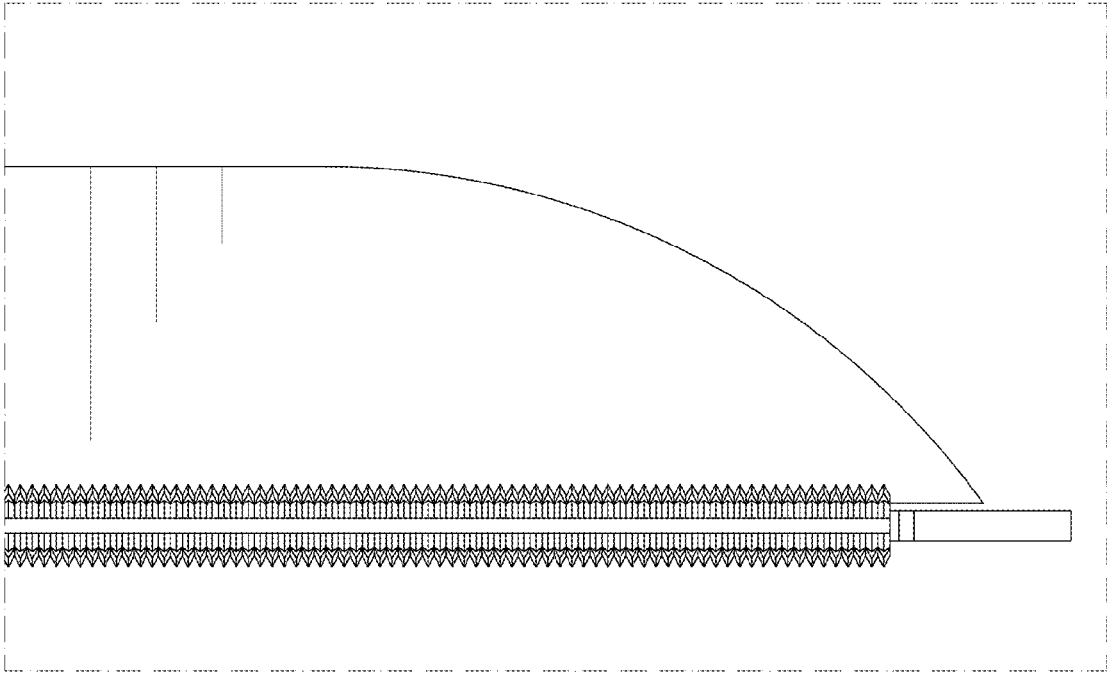


FIG. 18

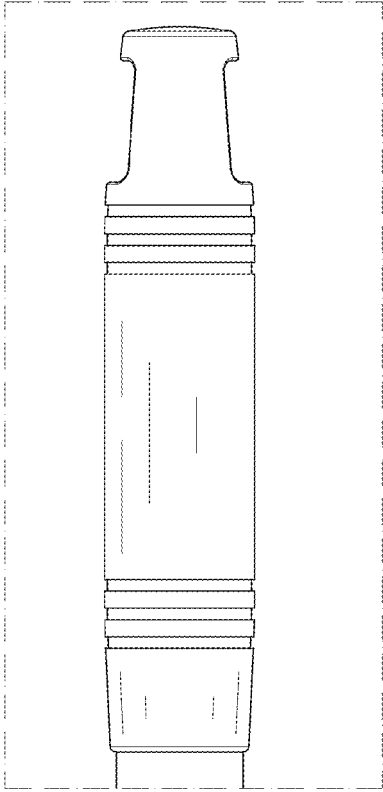


FIG. 19

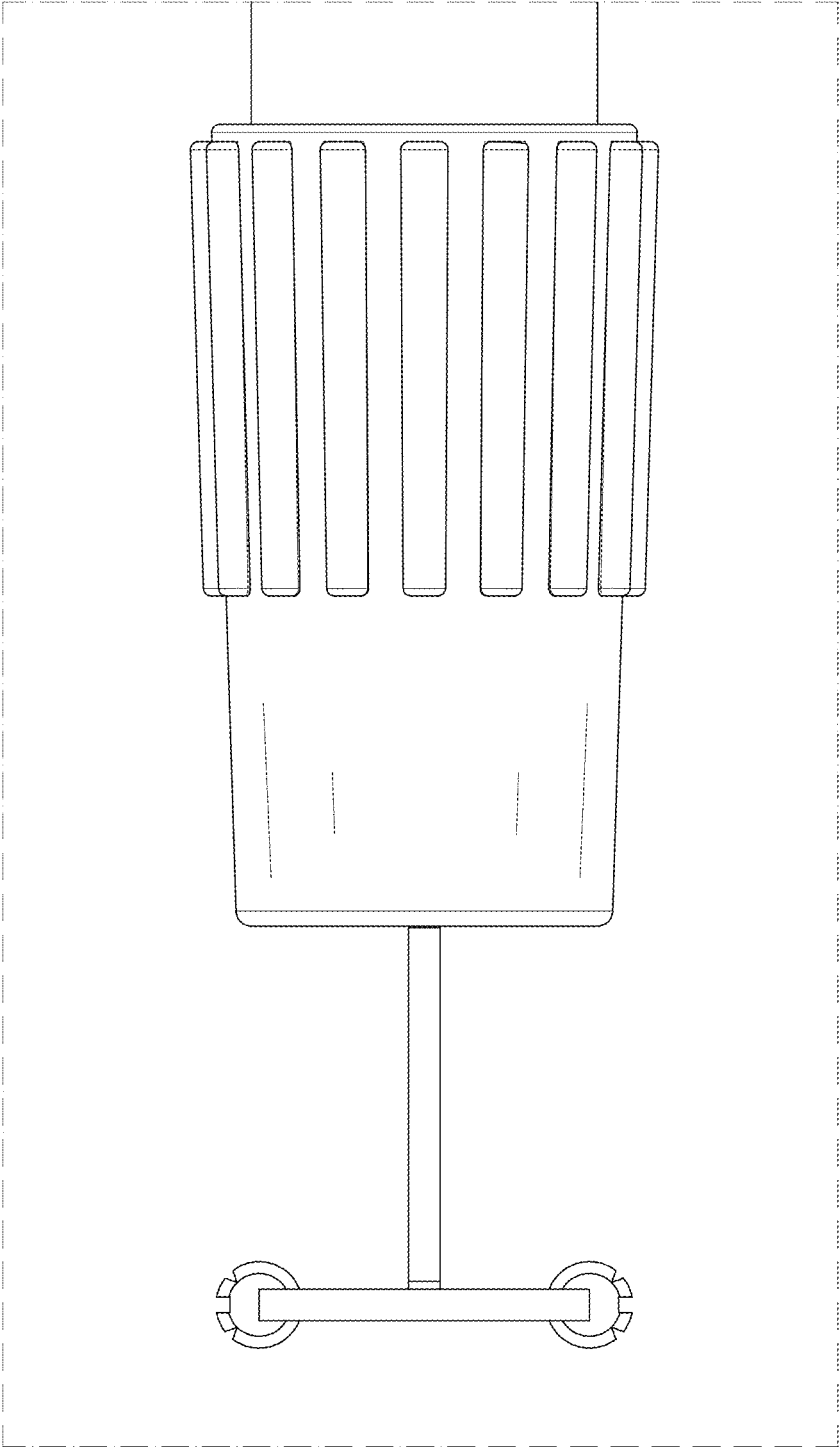


FIG. 20

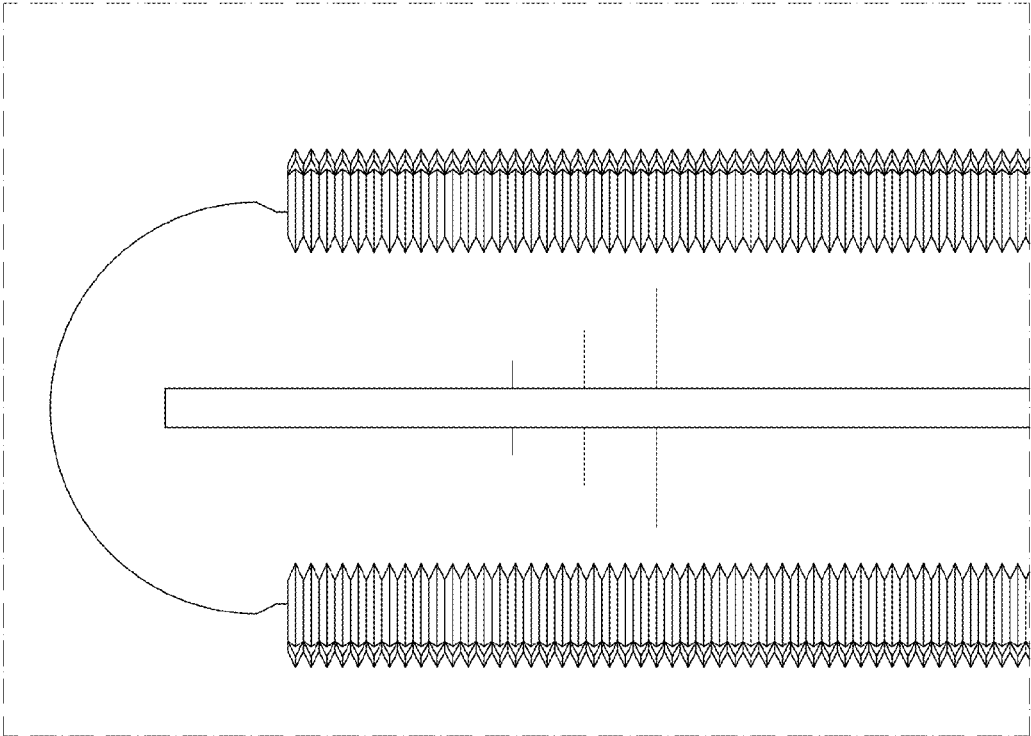


FIG. 21

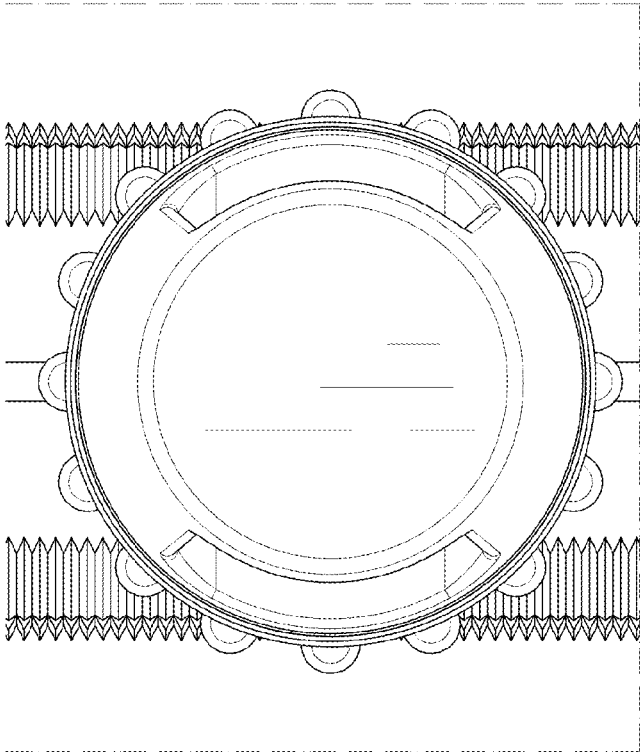


FIG. 22

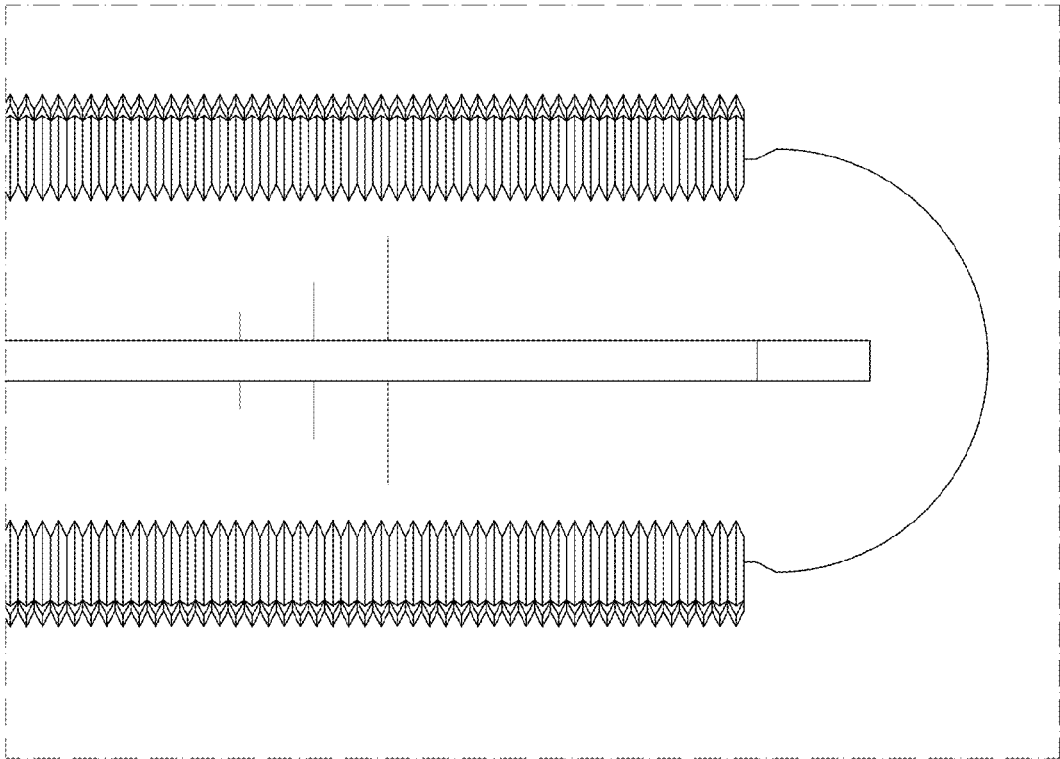


FIG. 23

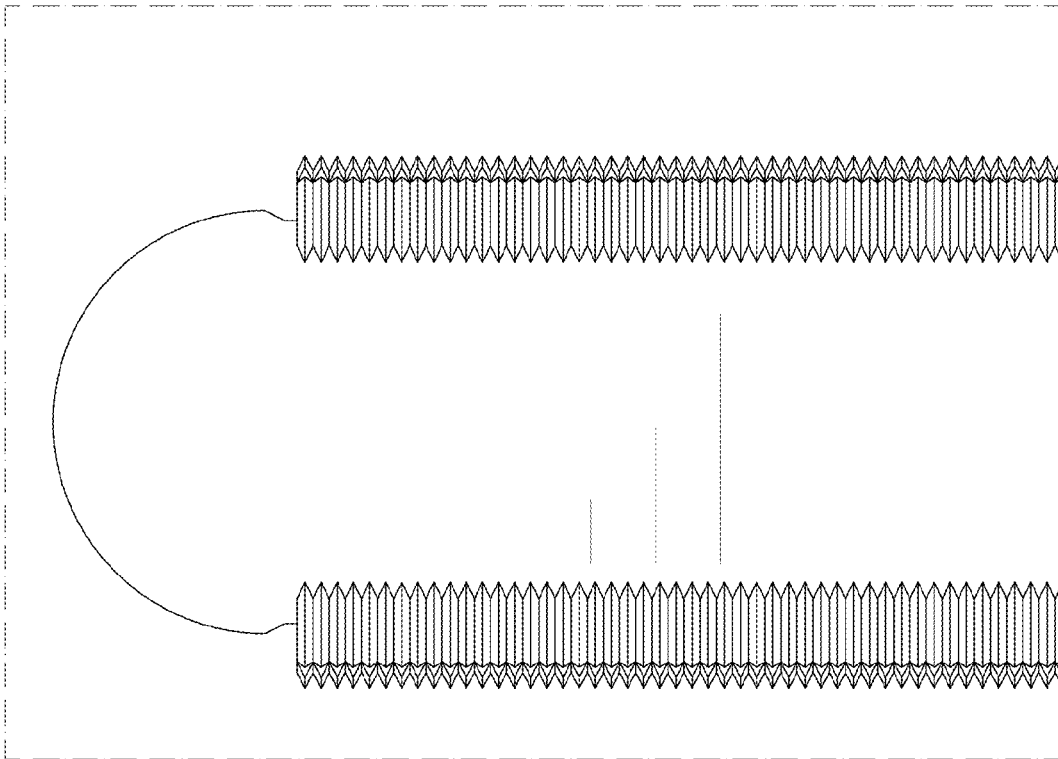


FIG. 24

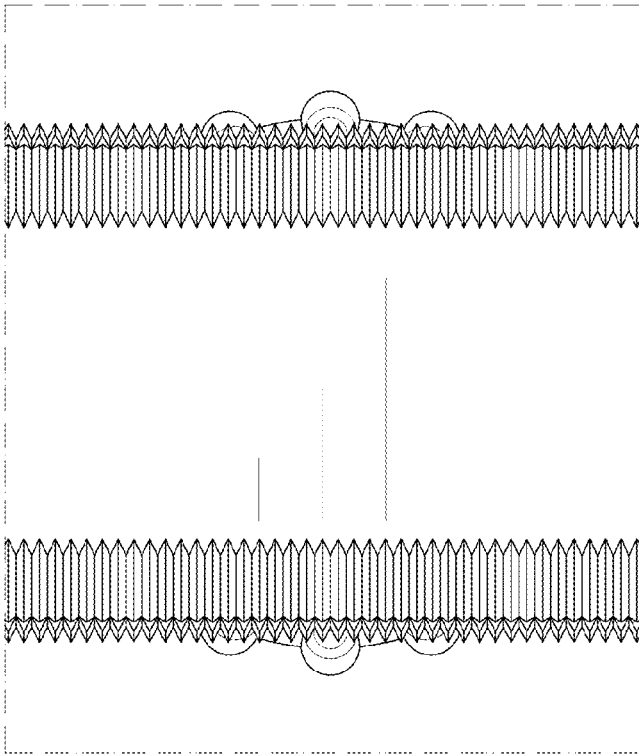


FIG. 25

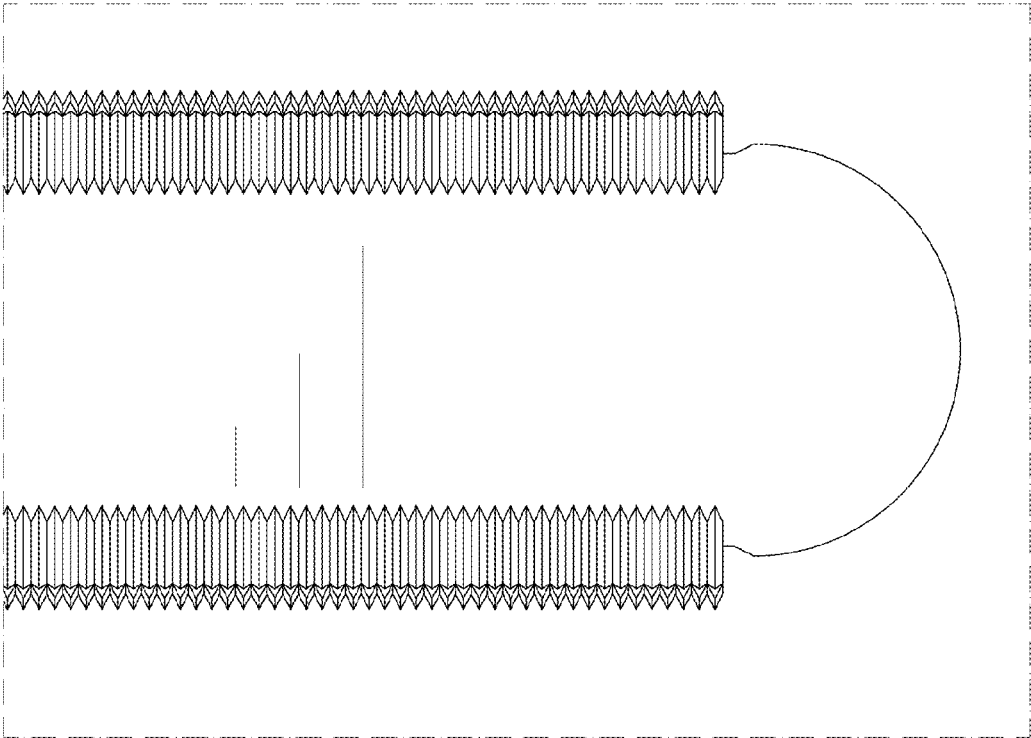


FIG. 26