

(19) World Intellectual Property
Organization
International Bureau



(43) International Publication Date
25 March 2004 (25.03.2004)

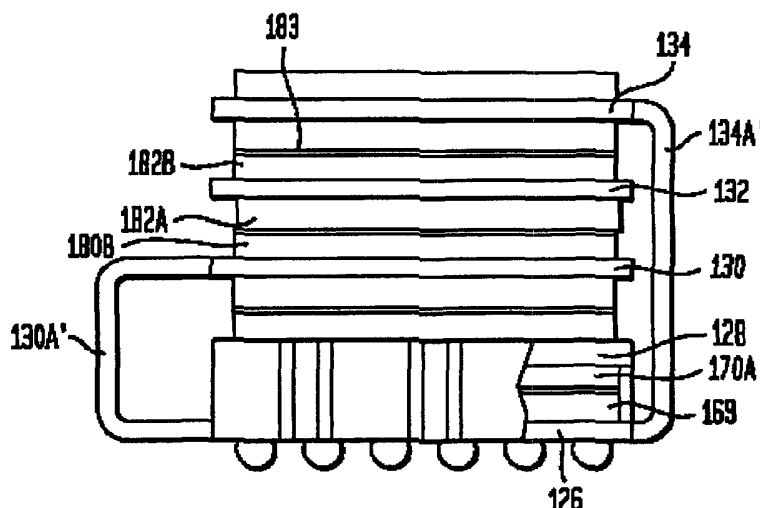
PCT

(10) International Publication Number
WO 2004/025699 A3

- (51) International Patent Classification⁷: H01L 23/02, 23/34, 23/48
- (74) Agents: MILLET, Marcus, J. et al.; Lerner, David, Littenberg, Krumholz & Mentlik, LLP, 600 South Avenue West, Westfield, NJ 07090 (US).
- (21) International Application Number: PCT/US2003/028041
- (81) Designated States (national): AE, AG, AL, AM, AT, AU, AZ, BA, BB, BG, BR, BY, BZ, CA, CH, CN, CO, CR, CU, CZ, DE, DK, DM, DZ, EC, EE, ES, FI, GB, GD, GE, GH, GM, HR, HU, ID, IL, IN, IS, JP, KE, KG, KP, KR, KZ, LC, LK, LR, LS, LT, LU, LV, MA, MD, MG, MK, MN, MW, MX, MZ, NI, NO, NZ, OM, PG, PH, PL, PT, RO, RU, SC, SD, SE, SG, SK, SL, SY, TJ, TM, TN, TR, TT, TZ, UA, UG, US, UZ, VC, VN, YU, ZA, ZM, ZW.
- (22) International Filing Date: 8 September 2003 (08.09.2003)
- (25) Filing Language: English
- (26) Publication Language: English
- (30) Priority Data: 60/4098,880 11 September 2002 (11.09.2002) US
- (84) Designated States (regional): ARIPO patent (GH, GM, KE, LS, MW, MZ, SD, SL, SZ, TZ, UG, ZM, ZW), Eurasian patent (AM, AZ, BY, KG, KZ, MD, RU, TJ, TM), European patent (AT, BE, BG, CH, CY, CZ, DE, DK, EE, ES, FI, FR, GB, GR, HU, IE, IT, LU, MC, NL, PT, RO, SE, SI, SK, TR), OAPI patent (BF, BJ, CF, CG, CI, CM, GA, GN, GQ, GW, ML, MR, NE, SN, TD, TG).
- (71) Applicant: TESSERA, INC. [US/US]; 3099 Orchard Drive, San Jose, CA 95134 (US).
- (72) Inventors: KANG,teck-Gyu; 7112 Clarendon Street, San Jose, CA 95129 (US). KUBOTA, Yoichi; 6114 Allbrook Circle, Pleasanton, CA 94588 (US).
- Published: — with international search report

[Continued on next page]

(54) Title: ASSEMBLIES HAVING STACKED SEMICONDUCTOR CHIPS



(57) Abstract: A stacked microelectronic assembly comprises a continuous sheet (20) including a core panel (26) and a plurality of side panels (28, 30, 32, 34), each having a folded portion (28a', 30a', 32a', 34a') that connects the side panel to an edge of the core panel. At least two of the panels are at least partially horizontally aligned with one another in a stack. During manufacture of a stacked microelectronic assembly, failed microelectronic elements are identified and associated side panels thereof are simply cut-off. This results in the production of a usable stacked microelectronic assembly albeit of reduced capacity, or reduced functionality.

WO 2004/025699 A3



— *before the expiration of the time limit for amending the claims and to be republished in the event of receipt of amendments*

For two-letter codes and other abbreviations, refer to the "Guidance Notes on Codes and Abbreviations" appearing at the beginning of each regular issue of the PCT Gazette.

(88) Date of publication of the international search report:

17 June 2004

INTERNATIONAL SEARCH REPORT

International application No. PCT/US03/28041

A. CLASSIFICATION OF SUBJECT MATTER														
IPC(7) : HO1L 23/02, 23/34, 23/48 US CL : 257/685, 686, 723, 693, 48														
According to International Patent Classification (IPC) or to both national classification and IPC														
B. FIELDS SEARCHED														
Minimum documentation searched (classification system followed by classification symbols) U.S. : 257/685, 686, 723, 693, 48														
Documentation searched other than minimum documentation to the extent that such documents are included in the fields searched None														
Electronic data base consulted during the international search (name of data base and, where practicable, search terms used) EAST														
C. DOCUMENTS CONSIDERED TO BE RELEVANT														
Category *	Citation of document, with indication, where appropriate, of the relevant passages	Relevant to claim No.												
A	US 5,117,282 A (Salatino) 26 May 1992 (26.05.1992), Fig. 1	1-3												
A	US 5,448,511 A (Paurus et al.) 5 September 1995 (05.09.1995), Abstract.	1-40												
A	US 6,225,688 B1 (Kim et al.) 1 May 2001 (01.05.2001), Abstract and Fig. 5.	1-40												
A	US 6,351,029 B1 (Isaak) 26 February 2002 (26.02.2002), Figs 1-2	1-40												
A	US 5,776,797 A (Nicewarner, Jr. et al.) 7 July 1998 (07.07.1998), Column 11, lines 10+.	1-3												
<input type="checkbox"/> Further documents are listed in the continuation of Box C. <input type="checkbox"/> See patent family annex.														
<table style="width: 100%; border: none;"> <tr> <td style="width: 50%; border: none;">* Special categories of cited documents:</td> <td style="width: 50%; border: none;"></td> </tr> <tr> <td style="border: none;">"A" document defining the general state of the art which is not considered to be of particular relevance</td> <td style="border: none;">"T" later document published after the international filing date or priority date and not in conflict with the application but cited to understand the principle or theory underlying the invention</td> </tr> <tr> <td style="border: none;">"E" earlier application or patent published on or after the international filing date</td> <td style="border: none;">"X" document of particular relevance; the claimed invention cannot be considered novel or cannot be considered to involve an inventive step when the document is taken alone</td> </tr> <tr> <td style="border: none;">"L" document which may throw doubts on priority claim(s) or which is cited to establish the publication date of another citation or other special reason (as specified)</td> <td style="border: none;">"Y" document of particular relevance; the claimed invention cannot be considered to involve an inventive step when the document is combined with one or more other such documents, such combination being obvious to a person skilled in the art</td> </tr> <tr> <td style="border: none;">"O" document referring to an oral disclosure, use, exhibition or other means</td> <td style="border: none;"></td> </tr> <tr> <td style="border: none;">"P" document published prior to the international filing date but later than the priority date claimed</td> <td style="border: none;">"&" document member of the same patent family</td> </tr> </table>			* Special categories of cited documents:		"A" document defining the general state of the art which is not considered to be of particular relevance	"T" later document published after the international filing date or priority date and not in conflict with the application but cited to understand the principle or theory underlying the invention	"E" earlier application or patent published on or after the international filing date	"X" document of particular relevance; the claimed invention cannot be considered novel or cannot be considered to involve an inventive step when the document is taken alone	"L" document which may throw doubts on priority claim(s) or which is cited to establish the publication date of another citation or other special reason (as specified)	"Y" document of particular relevance; the claimed invention cannot be considered to involve an inventive step when the document is combined with one or more other such documents, such combination being obvious to a person skilled in the art	"O" document referring to an oral disclosure, use, exhibition or other means		"P" document published prior to the international filing date but later than the priority date claimed	"&" document member of the same patent family
* Special categories of cited documents:														
"A" document defining the general state of the art which is not considered to be of particular relevance	"T" later document published after the international filing date or priority date and not in conflict with the application but cited to understand the principle or theory underlying the invention													
"E" earlier application or patent published on or after the international filing date	"X" document of particular relevance; the claimed invention cannot be considered novel or cannot be considered to involve an inventive step when the document is taken alone													
"L" document which may throw doubts on priority claim(s) or which is cited to establish the publication date of another citation or other special reason (as specified)	"Y" document of particular relevance; the claimed invention cannot be considered to involve an inventive step when the document is combined with one or more other such documents, such combination being obvious to a person skilled in the art													
"O" document referring to an oral disclosure, use, exhibition or other means														
"P" document published prior to the international filing date but later than the priority date claimed	"&" document member of the same patent family													
Date of the actual completion of the international search	Date of mailing of the international search report													
26 March 2004 (26.03.2004)	05 MAY 2004													
Name and mailing address of the ISA/US Mail Stop PCT, Attn: ISA/US Commissioner for Patents P.O. Box 1450 Alexandria, Virginia 22313-1450 Facsimile No. (703) 305-3230	Authorized officer Jasmine J Clark Telephone No. (571) 272-1726													