



(12) **EUROPEAN PATENT APPLICATION**

(88) Date of publication A3:
24.12.2008 Bulletin 2008/52

(51) Int Cl.:
E04D 13/04^(2006.01)

(43) Date of publication A2:
22.11.2006 Bulletin 2006/47

(21) Application number: **06445025.7**

(22) Date of filing: **16.05.2006**

(84) Designated Contracting States:
AT BE BG CH CY CZ DE DK EE ES FI FR GB GR HU IE IS IT LI LT LU LV MC NL PL PT RO SE SI SK TR
 Designated Extension States:
AL BA HR MK YU

(71) Applicant: **Per Sommerhein AB**
181 22 Lidingo (SE)

(72) Inventor: **Sommerhein, Per**
181 44 Lidingo (SE)

(30) Priority: **16.05.2005 SE 0501097**

(74) Representative: **Janson, Ronny**
Ehrner & Delmar Patentbyrå AB
Box 10316
100 55 Stockholm (SE)

(54) **An adjustable fixing device for a roof drain**

(57) An adjustable fixing device (1) for a roof drain (2) adapted to be mounted in a roof construction consisting of a supporting roof (3) and a water sealing membrane layer (4), possibly interleaved with isolation (5). A first portion of the device (1) is fastened to the roof drain (2), or to a part rigidly fastened thereto, and a second portion is fastened to the supporting roof (3). The device includes a ring-like member, fitting around a pipe (9) integral with

the drain (2). At least one enclosing member enclose, at least partially, the ring-like member and has a surface adapted to mutually cooperate with at least a part of the ring-like member. At least one tightening member is adapted to apply a pressure on the at least one member, whereby the surface of the at least one member presses on the corresponding surface of the ring-like member, which thereby clamps the pipe (9).

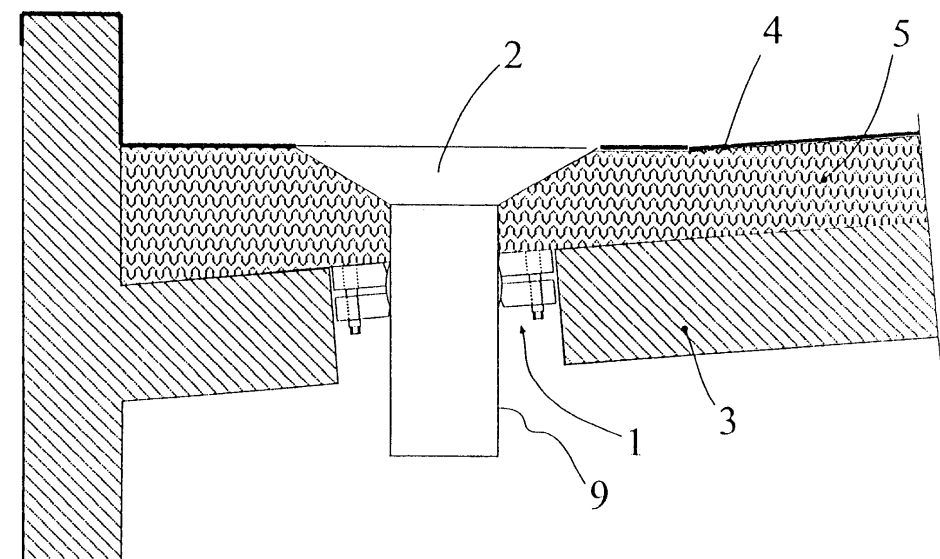


Fig. 1



EUROPEAN SEARCH REPORT

Application Number
EP 06 44 5025

DOCUMENTS CONSIDERED TO BE RELEVANT			
Category	Citation of document with indication, where appropriate, of relevant passages	Relevant to claim	CLASSIFICATION OF THE APPLICATION (IPC)
X	US 3 095 219 A (TUTTY LA VERNE F) 25 June 1963 (1963-06-25) * figure 1 *	1,2	INV. E04D13/04
X	----- US 936 991 A (FOLGER HENRY C.) 12 October 1909 (1909-10-12) * figures 1,3 *	3,6	
X	----- US 4 984 308 A (HANDAL VICTOR H [US]) 15 January 1991 (1991-01-15) * figure 3 *	4	
X	----- US 3 018 078 A (HOLDREN DONALD R) 23 January 1962 (1962-01-23) * figure 3 *	5	
X	----- US 1 503 421 A (INNES WILLIAM F) 29 July 1924 (1924-07-29) * figure 1 *	7	
X	----- DE 12 71 643 B (PASSAVANT WERKE) 27 June 1968 (1968-06-27) * figure 1 *	1,2	
			E04D F16L
The present search report has been drawn up for all claims			
Place of search		Date of completion of the search	Examiner
The Hague		13 November 2008	Bauer, Josef
CATEGORY OF CITED DOCUMENTS			
X : particularly relevant if taken alone Y : particularly relevant if combined with another document of the same category A : technological background O : non-written disclosure P : intermediate document		T : theory or principle underlying the invention E : earlier patent document, but published on, or after the filing date D : document cited in the application L : document cited for other reasons & : member of the same patent family, corresponding document	

2
EPO FORM 1503.03.82 (P04C01)

**ANNEX TO THE EUROPEAN SEARCH REPORT
ON EUROPEAN PATENT APPLICATION NO.**

EP 06 44 5025

This annex lists the patent family members relating to the patent documents cited in the above-mentioned European search report. The members are as contained in the European Patent Office EDP file on The European Patent Office is in no way liable for these particulars which are merely given for the purpose of information.

13-11-2008

Patent document cited in search report		Publication date	Patent family member(s)	Publication date
US 3095219	A	25-06-1963	NONE	
US 936991	A		NONE	
US 4984308	A	15-01-1991	CA 2002852 A1	17-01-1991
US 3018078	A	23-01-1962	NONE	
US 1503421	A	29-07-1924	NONE	
DE 1271643	B	27-06-1968	NONE	

EPO FORM P/0459

For more details about this annex : see Official Journal of the European Patent Office, No. 12/82