



- (51) **International Patent Classification:**
B01D 53/02 (2006.01) B01D 53/14 (2006.01)
B01D 53/78 (2006.01)
- (21) **International Application Number:**
PCT/US2010/059774
- (22) **International Filing Date:**
9 December 2010 (09.12.2010)
- (25) **Filing Language:** English
- (26) **Publication Language:** English
- (30) **Priority Data:**
12/634,583 9 December 2009 (09.12.2009) US
- (71) **Applicant (for all designated States except US):**
NANOVAPOR FUELS GROUP, INC. [US/US]; P.O. Box 2742, Cypress, TX 77410-2724 (US).
- (72) **Inventors; and**
- (75) **Inventors/Applicants (for US only):** MOORHEAD, Elliott [US/US]; 13 Everett Street, Suite B, Brunswick, ME 04011 (US). HICKMAN, Bryant [US/US]; 14602 Claycroft Court, Cypress, TX 77429 (US).
- (74) **Agent:** MAHAMEDI, Zurvan; Mahamedi Paradise Kreisman LLP, 550 South Winchester Blvd., Suite 605, San Jose, CA 95128 (US).

(81) **Designated States** (unless otherwise indicated, for every kind of national protection available): AE, AG, AL, AM, AO, AT, AU, AZ, BA, BB, BG, BH, BR, BW, BY, BZ, CA, CH, CL, CN, CO, CR, CU, CZ, DE, DK, DM, DO, DZ, EC, EE, EG, ES, FI, GB, GD, GE, GH, GM, GT, HN, HR, HU, ID, IL, IN, IS, JP, KE, KG, KM, KN, KP, KR, KZ, LA, LC, LK, LR, LS, LT, LU, LY, MA, MD, ME, MG, MK, MN, MW, MX, MY, MZ, NA, NG, NI, NO, NZ, OM, PE, PG, PH, PL, PT, RO, RS, RU, SC, SD, SE, SG, SK, SL, SM, ST, SV, SY, TH, TJ, TM, TN, TR, TT, TZ, UA, UG, US, UZ, VC, VN, ZA, ZM, ZW.

(84) **Designated States** (unless otherwise indicated, for every kind of regional protection available): ARIPO (BW, GH, GM, KE, LR, LS, MW, MZ, NA, SD, SL, SZ, TZ, UG, ZM, ZW), Eurasian (AM, AZ, BY, KG, KZ, MD, RU, TJ, TM), European (AL, AT, BE, BG, CH, CY, CZ, DE, DK, EE, ES, FI, FR, GB, GR, HR, HU, IE, IS, IT, LT, LU, LV, MC, MK, MT, NL, NO, PL, PT, RO, RS, SE, SI, SK, SM, TR), OAPI (BF, BJ, CF, CG, CI, CM, GA, GN, GQ, GW, ML, MR, NE, SN, TD, TG).

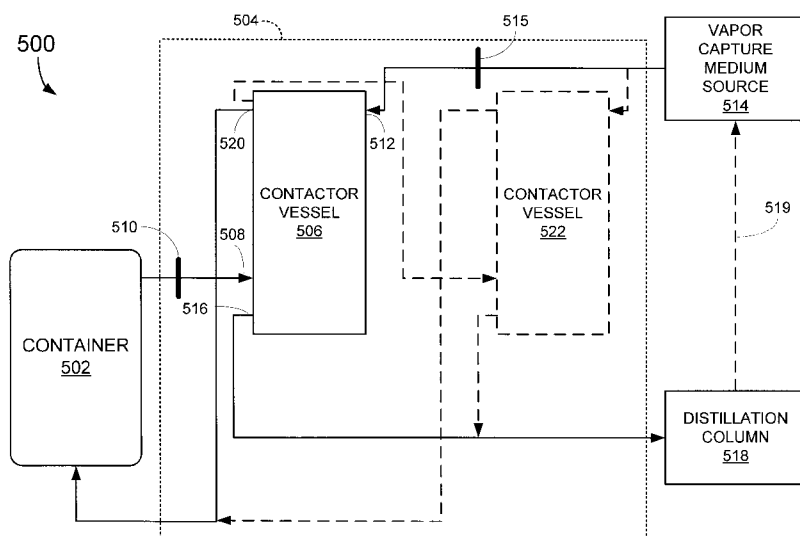
Published:

- with international search report (Art. 21(3))
- before the expiration of the time limit for amending the claims and to be republished in the event of receipt of amendments (Rule 48.2(h))

[Continued on next page]

(54) **Title:** SYSTEM AND METHOD FOR REMOVING VOLATILE VAPORS FROM CONTAINERS

FIG. 5



(57) **Abstract:** A system is configured to remove volatile organic compounds from a container. The system includes an enclosed contactor vessel having a first inlet to receive vapor containing volatile organic compounds from the container and a second inlet. The second inlet receives a vapor capture medium from a source. A contactor facilitates entrainment of the volatile organic compounds with the vapor capture medium while a first outlet recirculates treated vapor back to the container to effect a closed loop.

WO 2011/072171 A3

(88) Date of publication of the international search report:
24 November 2011

INTERNATIONAL SEARCH REPORT

International application No.
PCT/US2010/059774**A. CLASSIFICATION OF SUBJECT MATTER*****B01D 53/02(2006.01)i, B01D 53/78(2006.01)i, B01D 53/14(2006.01)i***

According to International Patent Classification (IPC) or to both national classification and IPC

B. FIELDS SEARCHED

Minimum documentation searched (classification system followed by classification symbols)

B01D 53/02; B01D 53/77; C12S 5/00; C02F 3/00; B01D 53/44; B01D 53/14

Documentation searched other than minimum documentation to the extent that such documents are included in the fields searched

Korean utility models and applications for utility models
Japanese utility models and applications for utility models

Electronic data base consulted during the international search (name of data base and, where practicable, search terms used)

eKOMPASS(KIPO internal) & Keywords: VOC, vapor, capture, absorption, adsorption, recirculate, inlet, outlet

C. DOCUMENTS CONSIDERED TO BE RELEVANT

Category*	Citation of document, with indication, where appropriate, of the relevant passages	Relevant to claim No.
Y	JP 2009-279523 A (TOOHOO KAKO KK) 03 December 2009 See abstract, pages 4-5, all claims, and all figs	1-18
Y	US 2003-0047508 A1 (JEFFREY L. BOLES et al.) 13 March 2003 See abstract, all claims, and fig 1	1-18
Y	US 7147689 B1 (CHARLES K. MILLER) 12 December 2006 See abstract, columns 3-6, all claims, and all figs	3, 7, 8, 12, 14, 15, 18
A	US 2004-0152185 A1 (IMELDA EGAN et al.) 05 August 2004 See abstract, all claims, and all figs	1-18

 Further documents are listed in the continuation of Box C. See patent family annex.

* Special categories of cited documents:

"A" document defining the general state of the art which is not considered to be of particular relevance

"E" earlier application or patent but published on or after the international filing date

"L" document which may throw doubts on priority claim(s) or which is cited to establish the publication date of citation or other special reason (as specified)

"O" document referring to an oral disclosure, use, exhibition or other means

"P" document published prior to the international filing date but later than the priority date claimed

"T" later document published after the international filing date or priority date and not in conflict with the application but cited to understand the principle or theory underlying the invention

"X" document of particular relevance; the claimed invention cannot be considered novel or cannot be considered to involve an inventive step when the document is taken alone

"Y" document of particular relevance; the claimed invention cannot be considered to involve an inventive step when the document is combined with one or more other such documents, such combination being obvious to a person skilled in the art

"&" document member of the same patent family

Date of the actual completion of the international search

29 SEPTEMBER 2011 (29.09.2011)

Date of mailing of the international search report

29 SEPTEMBER 2011 (29.09.2011)

Name and mailing address of the ISA/KR

Korean Intellectual Property Office
Government Complex-Daejeon, 189 Cheongsu-ro,
Seo-gu, Daejeon 302-701, Republic of Korea

Facsimile No. 82-42-472-7140

Authorized officer

PARK, JAE WOO

Telephone No. 82-42-481-8296



INTERNATIONAL SEARCH REPORT

Information on patent family members

International application No.

PCT/US2010/059774

Patent document cited in search report	Publication date	Patent family member(s)	Publication date
JP 2009-279523 A	03.12.2009	None	
US 2003-0047508 A1	13.03.2003	US 6461510 B1 US 6599423 B2	08.10.2002 29.07.2003
US 7147689 B1	12.12.2006	None	
US 2004-0152185 A1	05.08.2004	AT 365068 T CA 2446000 A1 DE 60129046 D1 DE 60129046 T2 EP 1383591 A1 EP 1383591 B1 ES 2288511 T3 US 7919304 B2 WO 02-089959 A1	15.07.2007 14.11.2002 02.08.2007 28.02.2008 28.01.2004 20.06.2007 16.01.2008 05.04.2011 14.11.2002