

(19) World Intellectual Property Organization
International Bureau



(43) International Publication Date
3 May 2007 (03.05.2007)

PCT

(10) International Publication Number
WO 2007/050051 A3

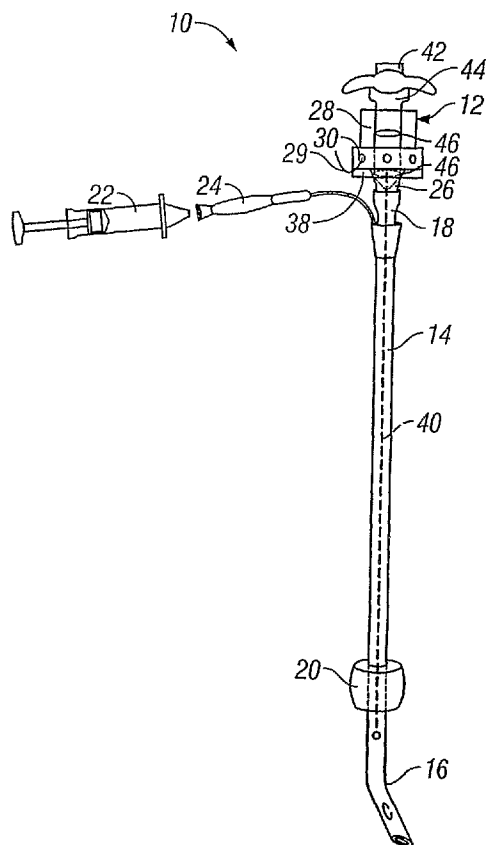
- (51) International Patent Classification:
A62B 7/00 (2006.01) A62B 9/00 (2006.01)
- (21) International Application Number:
PCT/US2005/037805
- (22) International Filing Date: 21 October 2005 (21.10.2005)
- (25) Filing Language: English
- (26) Publication Language: English
- (71) Applicant (for all designated States except US):
CHRICHEMIL, LLC [US/US]; 601 State Street,
Dysart, IA 52224 (US).
- (72) Inventors; and
- (75) Inventors/Applicants (for US only): TRESNAK, Rick, J.
[US/US]; 601 State Street, Dysart, IA 52224 (US). TRES-
NAK, Emil, J. [US/US]; 432 East Street, Apt. C., Grinnell,
IA 50112 (US).
- (74) Agent: FIELDS, Scott, J.; National IP Rights Center,
LLC, 550 Township Line Road, Suite 400, Blue Bell, PA
19422 (US).

- (81) Designated States (unless otherwise indicated, for every kind of national protection available): AE, AG, AL, AM, AT, AU, AZ, BA, BB, BG, BR, BW, BY, BZ, CA, CH, CN, CO, CR, CU, CZ, DE, DK, DM, DZ, EC, EE, EG, ES, FI, GB, GD, GE, GH, GM, HR, HU, ID, IL, IN, IS, JP, KE, KG, KM, KP, KR, KZ, LC, LK, LR, LS, LT, LU, LV, LY, MA, MD, MG, MK, MN, MW, MX, MZ, NA, NG, NI, NO, NZ, OM, PG, PH, PL, PT, RO, RU, SC, SD, SE, SG, SK, SL, SM, SY, TJ, TM, TN, TR, TT, TZ, UA, UG, US, UZ, VC, VN, YU, ZA, ZM, ZW.
- (84) Designated States (unless otherwise indicated, for every kind of regional protection available): ARIPO (BW, GH, GM, KE, LS, MW, MZ, NA, SD, SL, SZ, TZ, UG, ZM, ZW), Eurasian (AM, AZ, BY, KG, KZ, MD, RU, TJ, TM), European (AT, BE, BG, CH, CY, CZ, DE, DK, EE, ES, FI, FR, GB, GR, HU, IE, IS, IT, LT, LU, LV, MC, NL, PL, PT, RO, SE, SI, SK, TR), OAPI (BF, BJ, CF, CG, CI, CM, GA, GN, GQ, GW, ML, MR, NE, SN, TD, TG).

Published:
— with international search report

[Continued on next page]

(54) Title: IMPROVED ENDOTRACHEAL TUBE SYSTEM AND METHOD OF USE



(57) Abstract: An improved endotracheal tube system (10) and method of use is provided. The improved endotracheal tube system includes a standard endotracheal tube (14), a housing (12) with a first tube (26) that may be positioned within an endotracheal tube and a second tube (28) adapted for attachment to a bag-valve mask. The housing has a CO₂ detector (36) within it. The improved endotracheal tube system may also have a stilet positioned within the endotracheal tube and the housing, a structure for directing air from the endotracheal tube unidirectionally to the carbon dioxide indicator, an exhaust port, and a seal or exhaust return tube over the exhaust port.

WO 2007/050051 A3



— *before the expiration of the time limit for amending the claims and to be republished in the event of receipt of amendments*

For two-letter codes and other abbreviations, refer to the "Guidance Notes on Codes and Abbreviations" appearing at the beginning of each regular issue of the PCT Gazette.

(88) Date of publication of the international search report:

9 August 2007

INTERNATIONAL SEARCH REPORT

International application No.

PCT/US05/37805

A. CLASSIFICATION OF SUBJECT MATTER
 IPC: **A62B 7/00(2006.01),9/00(2006.01)**

 USPC: 128/205.23,204.18,205.13,203.28,205.17,204.18,205.24;116/200,201,206,209
 According to International Patent Classification (IPC) or to both national classification and IPC

B. FIELDS SEARCHED
 Minimum documentation searched (classification system followed by classification symbols)
 U.S. : 128/205.23, 204.18, 205.13, 203.28, 205.17, 204.18, 205.24; 116/200, 201, 206, 209

Documentation searched other than minimum documentation to the extent that such documents are included in the fields searched

Electronic data base consulted during the international search (name of data base and, where practicable, search terms used)

C. DOCUMENTS CONSIDERED TO BE RELEVANT

Category *	Citation of document, with indication, where appropriate, of the relevant passages	Relevant to claim No.
X	US 5,679,884 A (Kirk) 21 October 1997 (21.10.1997) entire document	1-20

Further documents are listed in the continuation of Box C. See patent family annex.

* Special categories of cited documents:		
"A" document defining the general state of the art which is not considered to be of particular relevance	"T"	later document published after the international filing date or priority date and not in conflict with the application but cited to understand the principle or theory underlying the invention
"E" earlier application or patent published on or after the international filing date	"X"	document of particular relevance; the claimed invention cannot be considered novel or cannot be considered to involve an inventive step when the document is taken alone
"L" document which may throw doubts on priority claim(s) or which is cited to establish the publication date of another citation or other special reason (as specified)	"Y"	document of particular relevance; the claimed invention cannot be considered to involve an inventive step when the document is combined with one or more other such documents, such combination being obvious to a person skilled in the art
"O" document referring to an oral disclosure, use, exhibition or other means	"&"	document member of the same patent family
"P" document published prior to the international filing date but later than the priority date claimed		

Date of the actual completion of the international search 10 May 2007 (10.05.2007)	Date of mailing of the international search report 13 JUN 2007
Name and mailing address of the ISA/US Mail Stop PCT, Attn: ISA/US Commissioner for Patents P.O. Box 1450 Alexandria, Virginia 22313-1450 Facsimile No. (571) 273-3201	Authorized officer <i>Patricia Bianco</i> Patricia Bianco Telephone No. 703-308-0861