

(19) World Intellectual Property Organization
International Bureau



(43) International Publication Date
21 February 2002 (21.02.2002)

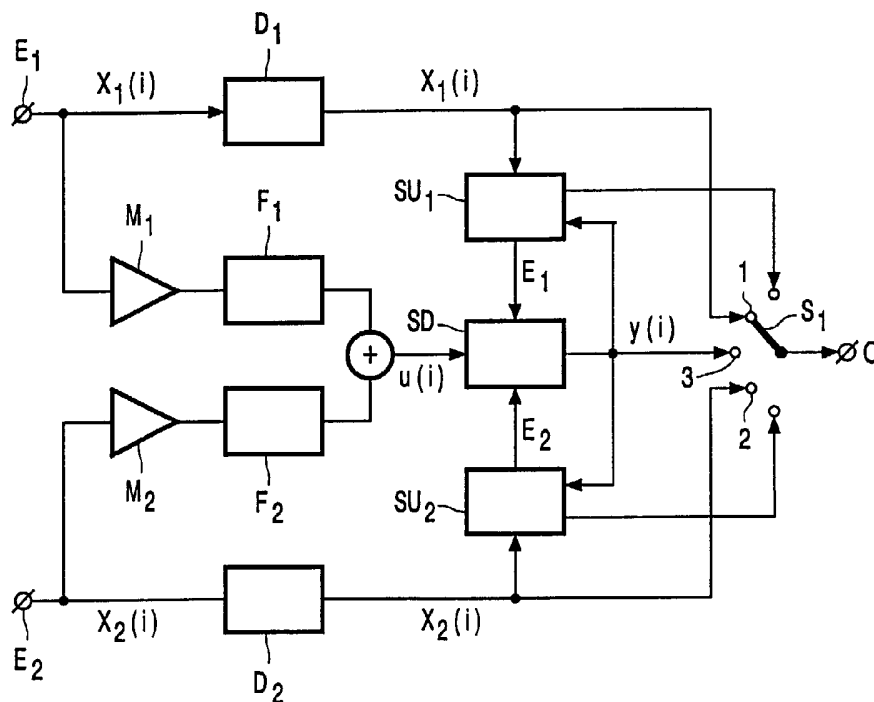
PCT

(10) International Publication Number
WO 2002/015407 A3

- (51) International Patent Classification⁷: H03M 3/02, G11B 20/10, H03L 7/00
- (74) Agent: SCHOENMAKER, Maarten; Internationaal Octroibureau B.V., Prof Holstlaan 6, NL-5656 AA Eindhoven (NL).
- (21) International Application Number: PCT/EP2001/008758
- (81) Designated States (national): CN, JP, KR.
- (22) International Filing Date: 30 July 2001 (30.07.2001)
- (84) Designated States (regional): European patent (AT, BE, CH, CY, DE, DK, ES, FI, FR, GB, GR, IE, IT, LU, MC, NL, PT, SE, TR).
- (25) Filing Language: English
- (26) Publication Language: English
- Published:
— with international search report
— before the expiration of the time limit for amending the claims and to be republished in the event of receipt of amendments
- (30) Priority Data: 00202829.8 11 August 2000 (11.08.2000) EP
- (71) Applicant: KONINKLIJKE PHILIPS ELECTRONICS N.V. [NL/NL]; Groenewoudseweg 1, NL-5621 BA Eindhoven (NL).
- (88) Date of publication of the international search report: 31 December 2003
- (72) Inventor: REEFMAN, Derk; Prof. Holstlaan 6, NL-5656 AA Eindhoven (NL).

For two-letter codes and other abbreviations, refer to the "Guidance Notes on Codes and Abbreviations" appearing at the beginning of each regular issue of the PCT Gazette.

(54) Title: METHOD AND ARRANGEMENT FOR SYNCHRONIZING A $\Sigma\Delta$ -MODULATOR



(57) Abstract: A method and arrangement for bit-synchronizing a $\Sigma\Delta$ -modulator with pre-filter to an incoming single bit bitstream. One or more of the integrator states of the $\Sigma\Delta$ -modulator are corrected by a signal which is calculated from the incoming bitstream and at least one of the pre-filtered input signal and the output bitstream of the $\Sigma\Delta$ -modulator.

WO 2002/015407 A3

INTERNATIONAL SEARCH REPORT

Internati PCT/EP 01/08758	ication No
------------------------------	------------

A. CLASSIFICATION OF SUBJECT MATTER
 IPC 7 H03M3/02 G11B20/10 H03L7/00

According to International Patent Classification (IPC) or to both national classification and IPC

B. FIELDS SEARCHED

Minimum documentation searched (classification system followed by classification symbols)
 IPC 7 G11B H03M H03L

Documentation searched other than minimum documentation to the extent that such documents are included in the fields searched

Electronic data base consulted during the international search (name of data base and, where practical, search terms used)

EPO-Internal, PAJ, WPI Data

C. DOCUMENTS CONSIDERED TO BE RELEVANT

Category °	Citation of document, with indication, where appropriate, of the relevant passages	Relevant to claim No.
A	M. NAGUCHI, G. ICHIMURA, A. NISHIO, S. TAGAMI: "Digital Signal Processing in Direct Stream Digital Editing System" 102ND AES CONVENTION, 22 - 25 March 1997, XP008022409 Munich, Germany cited in the application	
A	US 5 729 225 A (LEDZIUS ROBERT C) 17 March 1998 (1998-03-17)	

Further documents are listed in the continuation of box C.

Patent family members are listed in annex.

° Special categories of cited documents :

- *A* document defining the general state of the art which is not considered to be of particular relevance
- *E* earlier document but published on or after the international filing date
- *L* document which may throw doubts on priority claim(s) or which is cited to establish the publication date of another citation or other special reason (as specified)
- *O* document referring to an oral disclosure, use, exhibition or other means
- *P* document published prior to the international filing date but later than the priority date claimed

- *T* later document published after the international filing date or priority date and not in conflict with the application but cited to understand the principle or theory underlying the invention
- *X* document of particular relevance; the claimed invention cannot be considered novel or cannot be considered to involve an inventive step when the document is taken alone
- *Y* document of particular relevance; the claimed invention cannot be considered to involve an inventive step when the document is combined with one or more other such documents, such combination being obvious to a person skilled in the art.
- *&* document member of the same patent family

Date of the actual completion of the international search

Date of mailing of the international search report

23 September 2003

23/10/2003

Name and mailing address of the ISA
 European Patent Office, P.B. 5818 Patentlaan 2
 NL - 2280 HV Rijswijk
 Tel. (+31-70) 340-2040, Tx. 31 651 epo nl,
 Fax: (+31-70) 340-3016

Authorized officer
 Oliveira, J.

INTERNATIONAL SEARCH REPORT
Information on patent family members

Internati cation No
PCT/EP 01/08758

Patent document cited in search report	Publication date	Patent family member(s)	Publication date
US 5729225	A	NONE	