

(12) INNOVATION PATENT
(19) AUSTRALIAN PATENT OFFICE

(11) Application No. **AU 2021102947 A4**

(54) Title
Special Cleaning Brush for Joint Between Fish Pond Wall and Pond Bottom

(51) International Patent Classification(s)
A01K 63/10 (2017.01) **E04H 4/16** (2006.01)
A46B 5/00 (2006.01)

(21) Application No: **2021102947** (22) Date of Filing: **2021.05.28**

(45) Publication Date: **2021.08.05**

(45) Publication Journal Date: **2021.08.05**

(45) Granted Journal Date: **2021.08.05**

(71) Applicant(s)
Shandong Tang Wang Carp Agricultural Development Co., Ltd

(72) Inventor(s)
Wang, Feng;Jiang, Shibo;Liu, Bo

(74) Agent / Attorney
Alder IP Pty Ltd, Suite 202 24 Thomas Street, CHATSWOOD, NSW, 2067, AU

ABSTRACT

The invention belongs to the technical field of fishery culture equipment, and specifically relates to a special cleaning brush for joint between fish pond wall and pond bottom. The cleaning brush comprises a brush head, a rotating mechanism and a brush handle. The brush head comprises bristles and a brush plate with a slot. The rotating mechanism is a rotating mechanism which can adjust the angle in a horizontal range. It is provided with a self-locking plug. The rotating mechanism is respectively connected with the slot on the brush plate and the brush handle. The brush handle is a telescopic brush handle. Users can change different brush heads according to different needs to clean the fish pond. By using the special cleaning brush, the fish pond cleaning operation is easy. The cleaning brush has advantages of convenient use, thorough cleaning, time-saving and labor-saving. It can also improve the cleaning efficiency and cleaning effect of the fishery cement pond.

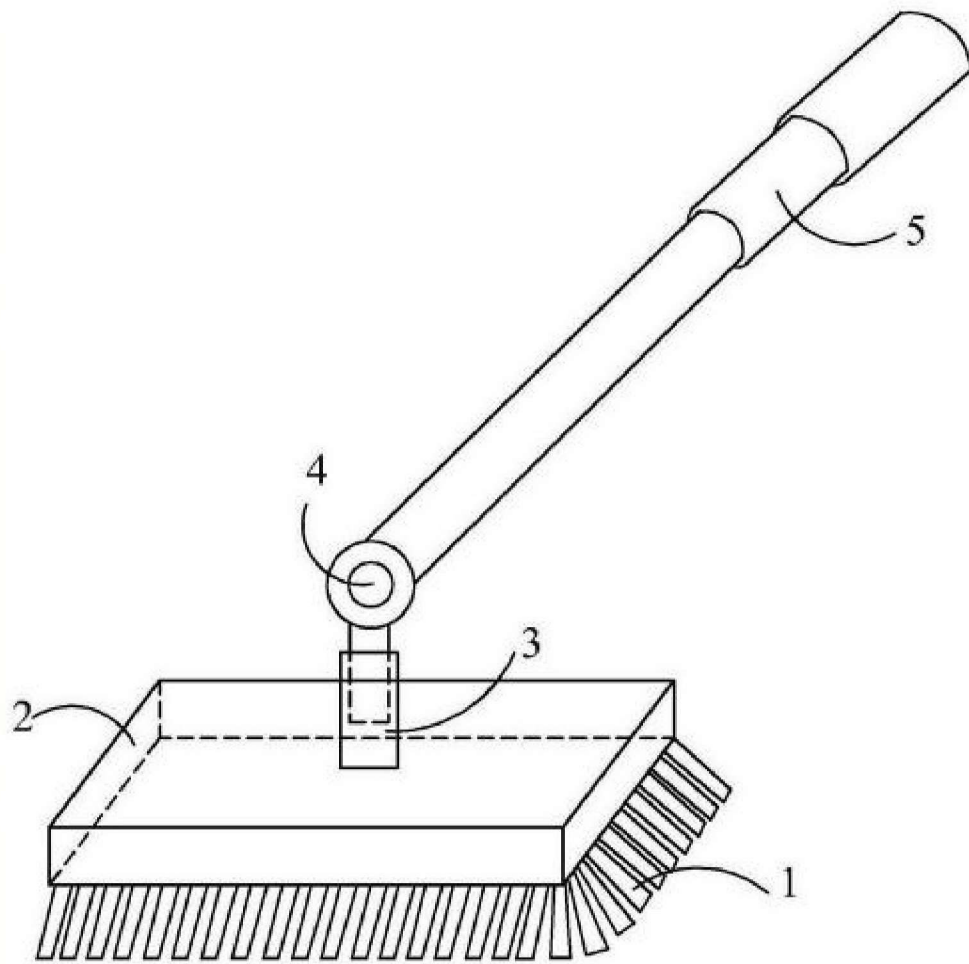


Figure 1

Special Cleaning Brush for Joint Between Fish Pond Wall and Pond Bottom

TECHNICAL FIELD

The invention belongs to the technical field of fishery culture equipment, and particularly relates to a special cleaning brush for the joint between the wall and the bottom of a fish pond.

BACKGROUND

Round or square cement ponds are generally used in industrial seedling and breeding of fishery. Cement ponds are small, flexible and convenient. They are widely used in industrial seedling and breeding of fishery. Generally, round ponds are used in fish production, rectangular ponds are used in sea cucumber or shellfish production, and square ponds are used in shrimp and crab production.

Cement ponds are places for breeding organisms. After long-term use, due to the deposition of residual bait, feces and iron compounds in groundwater, it is necessary to clean the pond at regular intervals. The purpose of pond cleaning is to remove harmful substances. The pond cleaning is generally carried out by dipping disinfectant with brush. The pond wall and bottom are easy to clean because of the open area, while the pond joint is difficult to clean. Cleaning with common brush is not only time-consuming but also difficult. If the cleaning is not complete, it is easy to leave hidden dangers. Especially, the spores and cysts of some pathogenic bacteria and pathogenic protozoa (such as ciliates) will explode in the later breeding process, causing enemy damage.

SUMMARY

Against the deficiency of the technology in existence, one of the aims of the invention is to design and develop a special cleaning brush suitable for cleaning joint between fish pond wall and pond bottom. The cleaning brush has advantages of simple structure, convenient use, and easy fish pond cleaning operation. It also has advantages of thorough cleaning, time saving and labor saving. Therefore, it is convenient to popularize and use.

The invention provides a special cleaning brush for joint between pond wall and pond bottom. It comprises a brush head, a rotating mechanism and a brush handle.

The brush head comprises bristles and a brush plate with a slots. The rotating mechanism is a rotating mechanism which can adjust the angle in a horizontal range. It is provided with a self-locking plug. The rotating mechanism is respectively connected with a slot on the brush plate and the brush handle. The brush handle is a telescopic brush handle.

Further, the rotating mechanism can adjust the brush plate and the brush handle within a angle variation range of 45° to 75° .

Further, the telescopic length range of the brush handle is between 1 and 3 meters.

Furthermore, the brush head can be changed according to different needs.

The beneficial effects of the invention is as follows. According to the characteristics of joint between cement pond wall and pond bottom, the invention designs a special cleaning brush used for linear route cleaning. The special cleaning brush has the advantages of simple structure, convenient and quick use, and thorough cleaning. It also has advantages of time saving and labor saving, and easy fish pond cleaning operation.

Moreover, the special cleaning brush is improved and modified on the basis of common cleaning brushes. It can be operated by one person. It also has the advantage of low cost and is convenient for popularization and use.

BRIEF DESCRIPTION OF THE FIGURES

Figure 1 A schematic structural diagram of a special cleaning brush for joint between fish pond wall and pond bottom according to the present invention

Among them, 1- bristle, 2- brush board, 3- slot, 4- rotating mechanism and 5- brush handle.

DESCRIPTION OF THE INVENTION

Embodiments of the present invention will be described in detail with reference to the accompanying drawings. It should be noted that the technical features or combinations of technical features described in the following embodiments should not be regarded as isolated. They can be combined with each other to achieve better technical results.

As shown in Figure 1, an embodiment of a special cleaning brush for joint between fish pond wall and pond bottom according to the present invention includes a brush head, a rotating mechanism 4 and a brush handle 5. The brush head comprises bristles 1 and a brush plate 2 with a slot 3. The rotating mechanism 4 is a rotating mechanism which can adjust the angle in a horizontal range. It is provided with a self-locking plug. The rotating mechanism is respectively connected with the slot 3 on the brush plate 2 and the brush handle 5. The brush handle 5 is a telescopic brush handle.

Further, the rotating mechanism 4 can adjust the brush plate 2 and the brush handle 5 within the angle variation range of 45° to 75°.

Further, the telescopic length of the brush handle 5 is between 1 and 3 meters.

Furthermore, the brush head can be changed according to different needs.

The joint between cement pond wall and pond bottom is a linear cleaning route. The direction of the brush head is parallel to the cleaning route, and the stress direction of the brush handle 5 is parallel to the brush head. This can save energy to the greatest extent and effectively improve the cleaning effect. Therefore, during operation, take the brush handle 5 in hand and push it forward with a half-squat posture. Then drive the cleaning brush head to slide along the joint between the pond bottom and pond wall. Generally, the expected purpose of thorough cleaning can be achieved after 2-3 turns.

According to the characteristics of joint between cement pond wall and pond bottom, the invention designs a special cleaning brush used for linear route cleaning. The special cleaning brush has the advantages of simple structure, convenient and quick use, and thorough cleaning. It also has advantages of time saving and labor saving, and easy fish pond cleaning operation. Moreover, the special cleaning brush is improved and modified on the basis of common cleaning brushes. It can be operated by one person. It also has the advantage of low cost and is convenient for popularization and use.

Although some embodiments of the present invention have been given herein, it should be understood by those skilled in the art that changes can be made to the embodiments herein without departing from the spirit of the present invention. The above embodiments are only exemplary, and the embodiments in this paper should not be taken as the limitation of the scope of the right of the present invention.

THE CLAIMS DEFINING THE INVENTION ARE AS FOLLOWS:

1. A special cleaning brush for joint between fish pond wall and pond bottom comprising a brush head, a rotating mechanism and a brush handle. It is characterized in that the brush head comprises bristles and a brush plate with a slot. The rotating mechanism is a rotating mechanism which can adjust the angle in a horizontal range and is provided with a self-locking plug. The rotating mechanism is respectively connected with the slot on the brush plate and the brush handle. The brush handle is a telescopic brush handle.

2. The special cleaning brush for the joint between the fish pond wall and the pond bottom according to Claim 1 is characterized as follows. The rotating mechanism can adjust the brush plate and the brush handle within a angle variation range of 45° to 75° .

3. The special cleaning brush for the joint between the fish pond wall and the pond bottom according to Claim 1 is characterized in that the telescopic length of the brush handle is between 1 and 3 meters.

4. The special cleaning brush for the joint between the fish pond wall and the pond bottom according to Claim 1 is characterized in that the brush head can be changed according to different needs.

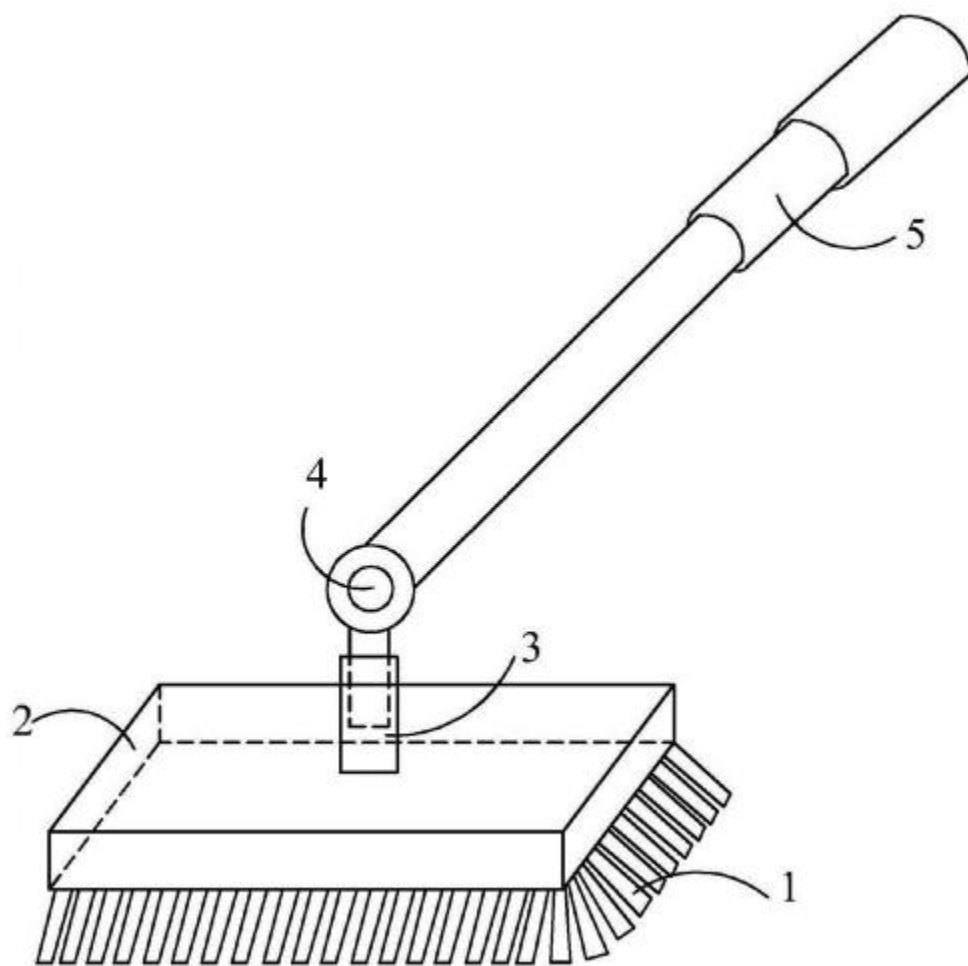


Figure 1