

(19)



(11)

EP 4 324 444 A3

(12)

EUROPEAN PATENT APPLICATION

(88) Date of publication A3:
22.05.2024 Bulletin 2024/21

(51) International Patent Classification (IPC):
A61F 13/537^(2006.01) A61F 13/538^(2006.01)

(43) Date of publication A2:
21.02.2024 Bulletin 2024/08

(52) Cooperative Patent Classification (CPC):
**A61F 13/53708; A61F 13/53747; D04H 1/4258;
D04H 1/43825; D04H 1/43835; D04H 1/4391;
D04H 1/492**

(21) Application number: **23214264.6**

(22) Date of filing: **27.03.2020**

(84) Designated Contracting States:
**AL AT BE BG CH CY CZ DE DK EE ES FI FR GB
GR HR HU IE IS IT LI LT LU LV MC MK MT NL NO
PL PT RO RS SE SI SK SM TR**

(72) Inventors:
• **VIENS, Gerard Alain
Cincinnati, 45202 (US)**
• **NARANJOMARTIN, Carlos Domingo
Toronto, M2N 6K8 (CA)**
• **MELLOR, Paul Dominic
65824 Schwalbach am Taunus (DE)**
• **KNORR, Andreas
65824 Schwalbach am Taunus (DE)**

(30) Priority: **04.04.2019 US 201962829280 P
11.12.2019 US 201962946725 P
11.12.2019 US 201962946738 P**

(62) Document number(s) of the earlier application(s) in
accordance with Art. 76 EPC:
20720995.8 / 3 946 194

(74) Representative: **P&G Patent Germany
Procter & Gamble Service GmbH
Sulzbacher Straße 40
65824 Schwalbach am Taunus (DE)**

(71) Applicant: **The Procter & Gamble Company
Cincinnati, OH 45202 (US)**

(54) FLUID MANAGEMENT LAYER FOR AN ABSORBENT ARTICLE

(57) A fluid management layer having an integrated, carded nonwoven is described. The fluid management layer has a basis weight of between about 40 grams per square meter (gsm) and about 75 gsm; a plurality of ab-

sorbent fibers; a plurality of stiffening fibers; and a plurality of resilient fibers. The fluid management layer has a caliper factor of at least about 0.13.

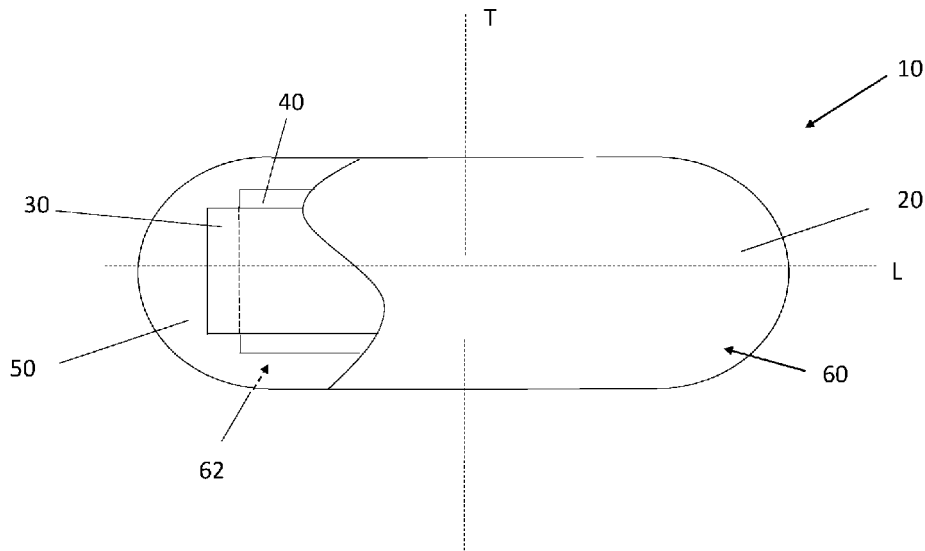


FIG. 1A

EP 4 324 444 A3



EUROPEAN SEARCH REPORT

Application Number

EP 23 21 4264

5

10

15

20

25

30

35

40

45

DOCUMENTS CONSIDERED TO BE RELEVANT

Category	Citation of document with indication, where appropriate, of relevant passages	Relevant to claim	CLASSIFICATION OF THE APPLICATION (IPC)
X	US 2018/098889 A1 (HARDIE STEPHEN LEBEUF [US] ET AL) 12 April 2018 (2018-04-12) * paragraphs [0107], [0052], [0054], [0056], [0063], [0066], [0062], [0058], [0064]; figure 2 *	1-16	INV. A61F13/537 A61F13/538
X	US 2014/343523 A1 (VIENS GERARD A [US] ET AL) 20 November 2014 (2014-11-20) * paragraphs [0020], [0039], [0050] - [0053], [0063], [0045]; claims 1-25 *	1-8, 11, 14-16	

TECHNICAL FIELDS SEARCHED (IPC)

A61F

1

The present search report has been drawn up for all claims

50

Place of search

Munich

Date of completion of the search

4 April 2024

Examiner

Gennari, Silvia

55

CATEGORY OF CITED DOCUMENTS

X : particularly relevant if taken alone
Y : particularly relevant if combined with another document of the same category
A : technological background
O : non-written disclosure
P : intermediate document

T : theory or principle underlying the invention
E : earlier patent document, but published on, or after the filing date
D : document cited in the application
L : document cited for other reasons
.....
& : member of the same patent family, corresponding document

EPO FORM 1503 03.82 (P04C01)

ANNEX TO THE EUROPEAN SEARCH REPORT
ON EUROPEAN PATENT APPLICATION NO.

EP 23 21 4264

5 This annex lists the patent family members relating to the patent documents cited in the above-mentioned European search report.
The members are as contained in the European Patent Office EDP file on
The European Patent Office is in no way liable for these particulars which are merely given for the purpose of information.

04-04-2024

Patent document cited in search report	Publication date	Patent family member(s)	Publication date
US 2018098889 A1	12-04-2018	CN 109789041 A	21-05-2019
		CN 109789042 A	21-05-2019
		CN 109789043 A	21-05-2019
		CN 109789044 A	21-05-2019
		CN 109790663 A	21-05-2019
		EP 3525739 A1	21-08-2019
		EP 3525740 A1	21-08-2019
		EP 3525741 A1	21-08-2019
		EP 3525742 A1	21-08-2019
		EP 3526380 A1	21-08-2019
		ES 2847255 T3	02-08-2021
		HU E053135 T2	28-06-2021
		JP 6790280 B2	25-11-2020
		JP 6816294 B2	20-01-2021
		JP 2019529057 A	17-10-2019
		JP 2019529058 A	17-10-2019
		US 2018098889 A1	12-04-2018
		US 2018098890 A1	12-04-2018
		US 2018098891 A1	12-04-2018
		US 2018098893 A1	12-04-2018
US 2018098896 A1	12-04-2018		
US 2021228423 A1	29-07-2021		
US 2021378882 A1	09-12-2021		
WO 2018071470 A1	19-04-2018		
WO 2018071471 A1	19-04-2018		
WO 2018071473 A1	19-04-2018		
WO 2018071474 A1	19-04-2018		
WO 2018071475 A1	19-04-2018		
US 2014343523 A1	20-11-2014	BR 112015028870 A2	25-07-2017
		CA 2912068 A1	20-11-2014
		CN 105208991 A	30-12-2015
		DE 112014002457 T5	28-01-2016
		EP 2996654 A1	23-03-2016
		GB 2529099 A	10-02-2016
		GB 2581428 A	19-08-2020
		JP 6250792 B2	20-12-2017
		JP 2016524051 A	12-08-2016
		RU 2015146416 A	22-06-2017
US 2014343523 A1	20-11-2014		
US 2020101191 A1	02-04-2020		
WO 2014186570 A1	20-11-2014		

EPO FORM P0459

For more details about this annex : see Official Journal of the European Patent Office, No. 12/82