

(19) World Intellectual Property Organization
International Bureau



(43) International Publication Date
13 September 2007 (13.09.2007)

PCT

(10) International Publication Number
WO 2007/103345 A3

- (51) International Patent Classification:
C10C 3/00 (2006.01)
- (21) International Application Number:
PCT/US2007/005642
- (22) International Filing Date: 5 March 2007 (05.03.2007)
- (25) Filing Language: English
- (26) Publication Language: English
- (30) Priority Data:
11/369,271 7 March 2006 (07.03.2006) US
- (71) Applicant (for all designated States except US): **ASTEC, INC.** [US/US]; 4101 Jerome Avenue, Chattanooga, TN 37407 (US).
- (72) Inventor; and
- (75) Inventor/Applicant (for US only): **SWANSON, Malcolm** [US/US]; 2213 Garrett's Chapel Road, Chickamauga, GA 30707 (US).
- (74) Agent: **WEIDLICH, Paul, S.**; Chambliss, Bahner & Stophel, P.C., 1000 Tallan Building, Two Union Square, Chattanooga, TN 37402 (US).
- (81) Designated States (unless otherwise indicated, for every kind of national protection available): AE, AG, AL, AM,

AT, AU, AZ, BA, BB, BG, BR, BW, BY, BZ, CA, CH, CN, CO, CR, CU, CZ, DE, DK, DM, DZ, EC, EE, EG, ES, FI, GB, GD, GE, GH, GM, GT, HN, HR, HU, ID, IL, IN, IS, JP, KE, KG, KM, KN, KP, KR, KZ, LA, LC, LK, LR, LS, LT, LU, LY, MA, MD, MG, MK, MN, MW, MX, MY, MZ, NA, NG, NI, NO, NZ, OM, PG, PH, PL, PT, RO, RS, RU, SC, SD, SE, SG, SK, SL, SM, SV, SY, TJ, TM, TN, TR, TT, TZ, UA, UG, US, UZ, VC, VN, ZA, ZM, ZW.

(84) Designated States (unless otherwise indicated, for every kind of regional protection available): ARIPO (BW, GH, GM, KE, LS, MW, MZ, NA, SD, SL, SZ, TZ, UG, ZM, ZW), Eurasian (AM, AZ, BY, KG, KZ, MD, RU, TJ, TM), European (AT, BE, BG, CH, CY, CZ, DE, DK, EE, ES, FI, FR, GB, GR, HU, IE, IS, IT, LT, LU, LV, MC, MT, NL, PL, PT, RO, SE, SI, SK, TR), OAPI (BF, BJ, CF, CG, CI, CM, GA, GN, GQ, GW, ML, MR, NE, SN, TD, TG).

Declarations under Rule 4.17:

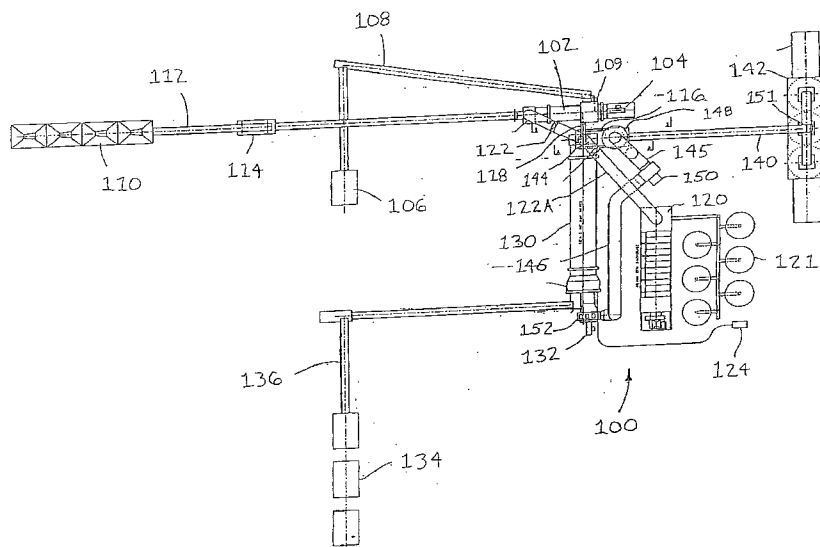
- as to applicant's entitlement to apply for and be granted a patent (Rule 4.17(ii))
- as to the applicant's entitlement to claim the priority of the earlier application (Rule 4.17(iii))
- of inventorship (Rule 4.17(iv))

Published:

- with international search report

[Continued on next page]

(54) Title: APPARATUS AND METHOD FOR A HOT MIX ASPHALT PLANT USING A HIGH PERCENTAGE OF RECYCLED ASPHALT PRODUCTS



(57) Abstract: A hot mix asphalt plant for producing hot mix asphalt using a high percentage of recycled asphalt products (RAP) comprising a first dryer to receive an mix virgin aggregate and RAP fines and a first burner assembly to produce a burner flame and heat and dry the virgin aggregates in the dryer. The plant also includes a second dryer to receive coarse RAP and a second burner assembly to produce a burner flame and heat and dry the coarse RAP in the second dryer. The plant further comprises a pugmill adapted to receive the virgin aggregates and the RAP fines from the first dryer and the coarse RAP from the second dryer and mix the virgin aggregates, the RAP fines and the coarse RAP to produce the hot asphalt.

WO 2007/103345 A3



— *before the expiration of the time limit for amending the claims and to be republished in the event of receipt of amendments*

For two-letter codes and other abbreviations, refer to the "Guidance Notes on Codes and Abbreviations" appearing at the beginning of each regular issue of the PCT Gazette.

(88) Date of publication of the international search report:
21 December 2007

INTERNATIONAL SEARCH REPORT

International application No.
PCT/US 07/05642

A. CLASSIFICATION OF SUBJECT MATTER
IPC(8) - C10C 3/00 (2007.01)
USPC - 208/39
According to International Patent Classification (IPC) or to both national classification and IPC

B. FIELDS SEARCHED
Minimum documentation searched (classification system followed by classification symbols)
IPC (8) - C10C 3/00 (2007.01)
USPC - 208/39

Documentation searched other than minimum documentation to the extent that such documents are included in the fields searched
USPC 208, 106, 366, 428, 432, 508 - search terms below

Electronic data base consulted during the international search (name of data base and, where practicable, search terms used)
PUBWEST (PGPB,USPT,USOC,EPAB,JPAB) Terms - asphalt recycle aggregate fines cyclone drum parallel counterflow pugmill RAP
Google - Apparatus and Method for Hot Mix Asphalt Plant Using High Percentage Recycled Asphalt; RAP fines pugmill; asphalt recycle aggregate fines cyclone drum parallel counterflow


C. DOCUMENTS CONSIDERED TO BE RELEVANT

Category*	Citation of document, with indication, where appropriate, of the relevant passages	Relevant to claim No.
X -- Y	US 5,174,650 A (MCFARLAND et al.) 29 Dec 1992 (29.12.1992), entire document, especially col 3, ln 33-34; col 3, ln 38-45; col 4, ln 10-13; col 7, ln 441-46; col 8, ln 3-8; col 8, ln 20; col 8, ln 26-41; FIG. 1	1-9, 11-17 and 19-20 ----- 10 and 18
Y	US 5,352,275 A (NATH et al.) 04 Oct 1994 (04.10.1994), entire document, especially col 11, ln 15-16; col 12, ln 55-60	10 and 18

Further documents are listed in the continuation of Box C.

* Special categories of cited documents:

"A" document defining the general state of the art which is not considered to be of particular relevance	"T" later document published after the international filing date or priority date and not in conflict with the application but cited to understand the principle or theory underlying the invention
"E" earlier application or patent but published on or after the international filing date	"X" document of particular relevance; the claimed invention cannot be considered novel or cannot be considered to involve an inventive step when the document is taken alone
"L" document which may throw doubts on priority claim(s) or which is cited to establish the publication date of another citation or other special reason (as specified)	"Y" document of particular relevance; the claimed invention cannot be considered to involve an inventive step when the document is combined with one or more other such documents, such combination being obvious to a person skilled in the art
"O" document referring to an oral disclosure, use, exhibition or other means	"&" document member of the same patent family
"P" document published prior to the international filing date but later than the priority date claimed	

Date of the actual completion of the international search 01 Sep 2007 (01.09.2007)	Date of mailing of the international search report 31 OCT 2007
Name and mailing address of the ISA/US Mail Stop PCT, Attn: ISA/US, Commissioner for Patents P.O. Box 1450, Alexandria, Virginia 22313-1450 Facsimile No. 571-273-3201	Authorized officer:  Lee W. Young PCT Helpdesk: 571-272-4300 PCT OSP: 571-272-7774