

CORRECTED VERSION

(19) World Intellectual Property Organization
International Bureau



(10) International Publication Number
WO 2022/087410 A8

(43) International Publication Date
28 April 2022 (28.04.2022)

- (51) International Patent Classification:
A61B 90/00 (2016.01) A61F 2/12 (2006.01)
A61M 29/00 (2006.01)
- (21) International Application Number:
PCT/US2021/056252
- (22) International Filing Date:
22 October 2021 (22.10.2021)
- (25) Filing Language: English
- (26) Publication Language: English
- (30) Priority Data:
63/104,331 22 October 2020 (22.10.2020) US
- (71) Applicant: SIENTRA, INC. [US/US]; 420 S.Fairview Avenue, Suite 200, Santa Barbara, CA 93117 (US).
- (72) Inventors; and
(71) Applicants: GEIGER, Steven, Charles; 420 S.Fairview Avenue, Suite 200, Santa Barbara, CA 93117 (US). CARLISLE, Dan; 420 S.Fairview Avenue, Suite 200, Santa Barbara, CA 93117 (US). MCCLELLAN, Tom; 420 S.Fairview Avenue, Suite 200, Santa Barbara, CA 93117 (US).
- (74) Agent: WELLS, Richard, V.; Baker & Mckenzie LLP, 1900 North Pearl Street, Suite 1500, Dallas, TX 75201 (US).
- (81) Designated States (unless otherwise indicated, for every kind of national protection available): AE, AG, AL, AM, AO, AT, AU, AZ, BA, BB, BG, BH, BN, BR, BW, BY, BZ, CA, CH, CL, CN, CO, CR, CU, CZ, DE, DJ, DK, DM, DO, DZ, EC, EE, EG, ES, FI, GB, GD, GE, GH, GM, GT, HN, HR, HU, ID, IL, IN, IR, IS, IT, JO, JP, KE, KG, KH, KN, KP, KR, KW, KZ, LA, LC, LK, LR, LS, LU, LY, MA, MD, ME, MG, MK, MN, MW, MX, MY, MZ, NA, NG, NI, NO, NZ, OM, PA, PE, PG, PH, PL, PT, QA, RO, RS, RU, RW, SA, SC, SD, SE, SG, SK, SL, ST, SV, SY, TH, TJ, TM, TN, TR, TT, TZ, UA, UG, US, UZ, VC, VN, WS, ZA, ZM, ZW.
- (84) Designated States (unless otherwise indicated, for every kind of regional protection available): ARIPO (BW, GH, GM, KE, LR, LS, MW, MZ, NA, RW, SD, SL, ST, SZ, TZ, UG, ZM, ZW), Eurasian (AM, AZ, BY, KG, KZ, RU, TJ, TM), European (AL, AT, BE, BG, CH, CY, CZ, DE, DK, EE, ES, FI, FR, GB, GR, HR, HU, IE, IS, IT, LT, LU, LV, MC, MK, MT, NL, NO, PL, PT, RO, RS, SE, SI, SK, SM, TR), OAPI (BF, BJ, CF, CG, CI, CM, GA, GN, GQ, GW, KM, ML, MR, NE, SN, TD, TG).

(54) Title: SYSTEMS AND METHODS FOR TISSUE EXPANSION

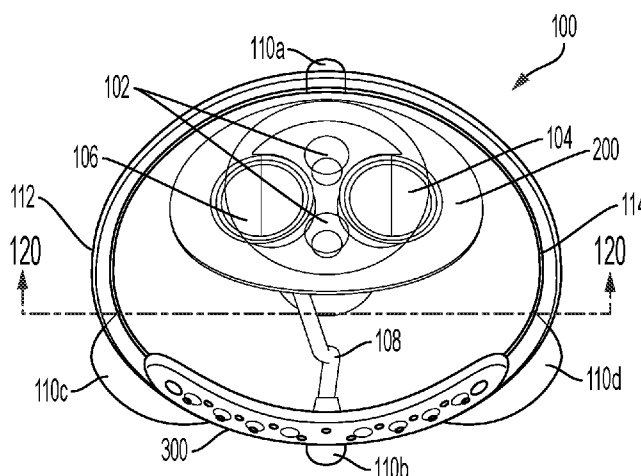


FIG. 1A

(57) Abstract: A tissue expander comprising: a port assembly including a drain port and a fill port, a magnet housing assembly fitted to the port assembly, the magnet housing assembly including a single magnet having a magnetic field that is detectable on an exterior surface of a biological tissue of a patient; a shell defining the interior cavity of the tissue expander; and a drain assembly in fluidic communication with the drain port via the drain tubing.



WO 2022/087410 A8

Published:

— *with international search report (Art. 21(3))*

(48) Date of publication of this corrected version:

29 December 2022 (29.12.2022)

(15) Information about Correction:

see Notice of 29 December 2022 (29.12.2022)