



- (51) International Patent Classification:
B02C 4/28 (2006.01) *G01F 23/00* (2006.01)
B02C 4/42 (2006.01)
- (21) International Application Number:
PCT/TR2019/050791
- (22) International Filing Date:
25 September 2019 (25.09.2019)
- (25) Filing Language: Turkish
- (26) Publication Language: English
- (30) Priority Data:
2018/14103 27 September 2018 (27.09.2018) TR
- (71) Applicant: **ALAPALA MAKİNA GIDA SANAYİ VE TİCARET ANONİM ŞİRKETİ** [TR/TR]; Organize Sanayi Bölgesi 12. Cadde No:15, Çorum (TR).
- (72) Inventor: **ALAPALA, İsmail**; Organize Sanayi Bölgesi 12. Cadde No:15, Çorum (TR).
- (74) Agent: **DESTEK PATENT, INC.**; Lefkosa Cad. NM Ofis Park B Blok No: 36/5 Besevler, 16110 Bursa (TR).
- (81) Designated States (unless otherwise indicated, for every kind of national protection available): AE, AG, AL, AM, AO, AT, AU, AZ, BA, BB, BG, BH, BN, BR, BW, BY, BZ, CA, CH, CL, CN, CO, CR, CU, CZ, DE, DJ, DK, DM, DO, DZ, EC, EE, EG, ES, FI, GB, GD, GE, GH, GM, GT, HN, HR, HU, ID, IL, IN, IR, IS, JO, JP, KE, KG, KH, KN, KP, KR, KW, KZ, LA, LC, LK, LR, LS, LU, LY, MA, MD, ME, MG, MK, MN, MW, MX, MY, MZ, NA, NG, NI, NO, NZ, OM, PA, PE, PG, PH, PL, PT, QA, RO, RS, RU, RW, SA, SC, SD, SE, SG, SK, SL, SM, ST, SV, SY, TH, TJ, TM, TN, TR, TT, TZ, UA, UG, US, UZ, VC, VN, ZA, ZM, ZW.
- (84) Designated States (unless otherwise indicated, for every kind of regional protection available): ARIPO (BW, GH,

(54) Title: ROLLER MILL WITH LOAD CELL DOING HOMOGENEOUS PRODUCT FEEDING

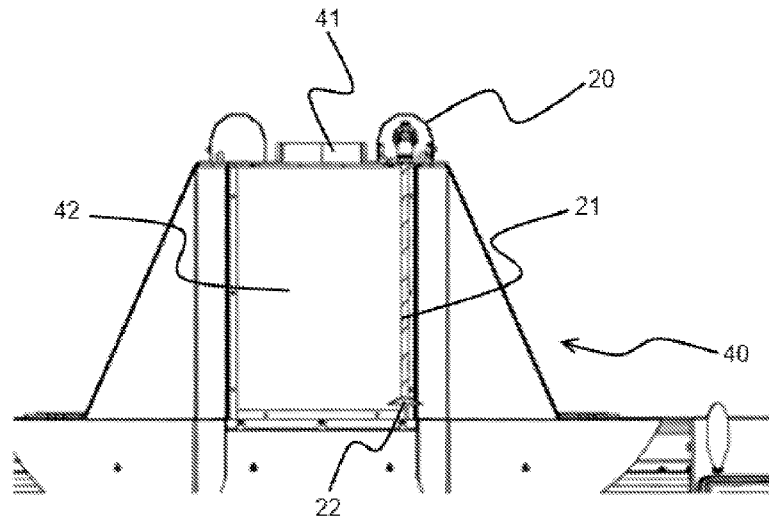


Figure – 4

(57) Abstract: The invention is related to a roller mill (1) which has a product inlet hopper (40) from which the cereals subject to grinding are fed to the system; a product storage section (42) in which the cereals in the interior section of said product inlet hopper (40) are stored and transfers the products into the grinding section; a control panel (30) which controls the operation of the system with instant data; a main body (10) which embodies all units thereon; a load cell (20) which is positioned on the upper portion of the product inlet hopper (40) and enables the feeding mechanism to operate with required speeds; a weight bar (21) which extends perpendicularly to the base of the product storage section (42) by means of connecting with the bottom portion of the Load cell (20) and weighs the products (cereals) present herein.



GM, KE, LR, LS, MW, MZ, NA, RW, SD, SL, ST, SZ, TZ, UG, ZM, ZW), Eurasian (AM, AZ, BY, KG, KZ, RU, TJ, TM), European (AL, AT, BE, BG, CH, CY, CZ, DE, DK, EE, ES, FI, FR, GB, GR, HR, HU, IE, IS, IT, LT, LU, LV, MC, MK, MT, NL, NO, PL, PT, RO, RS, SE, SI, SK, SM, TR), OAPI (BF, BJ, CF, CG, CI, CM, GA, GN, GQ, GW, KM, ML, MR, NE, SN, TD, TG).

Published:

- *with international search report (Art. 21(3))*
- *before the expiration of the time limit for amending the claims and to be republished in the event of receipt of amendments (Rule 48.2(h))*
- *in black and white; the international application as filed contained color or greyscale and is available for download from PATENTSCOPE*

(88) Date of publication of the international search report:

07 May 2020 (07.05.2020)

INTERNATIONAL SEARCH REPORT

International application No.

PCT/TR2019/050791

A. CLASSIFICATION OF SUBJECT MATTER		
B02C 4/28 (2006.01)i; B02C 4/42 (2006.01)i; G01F 23/00 (2006.01)i		
According to International Patent Classification (IPC) or to both national classification and IPC		
B. FIELDS SEARCHED		
Minimum documentation searched (classification system followed by classification symbols) B02C; G01F		
Documentation searched other than minimum documentation to the extent that such documents are included in the fields searched TURKPATENT Database		
Electronic data base consulted during the international search (name of data base and, where practicable, search terms used) EPODOC, WPI, EPO English Full-text databases		
C. DOCUMENTS CONSIDERED TO BE RELEVANT		
Category*	Citation of document, with indication, where appropriate, of the relevant passages	Relevant to claim No.
X	US 2016067713 A1 (SATAKE ENG CO LTD [JP]) 10 March 2016 (2016-03-10) Description: especially paragraphs 1-6, 29-37, 65-72; figures	1-2
A	WO 2013115747 A1 (YUKSELIS MAKINA SANAYI VE TICARET ANONIM SIRKETI [TR]) 08 August 2013 (2013-08-08) The whole document	1-2
A	JP 2010058115 A (MEIJI MACHINE) 18 March 2010 (2010-03-18) Abstract, figures	1-2
A	US 6502773 B1 (BUEHLER AG GEB [CH]) 07 January 2003 (2003-01-07) Description, figures	1-2
<input type="checkbox"/> Further documents are listed in the continuation of Box C. <input checked="" type="checkbox"/> See patent family annex.		
<p>* Special categories of cited documents:</p> <p>“A” document defining the general state of the art which is not considered to be of particular relevance</p> <p>“E” earlier application or patent but published on or after the international filing date</p> <p>“L” document which may throw doubts on priority claim(s) or which is cited to establish the publication date of another citation or other special reason (as specified)</p> <p>“O” document referring to an oral disclosure, use, exhibition or other means</p> <p>“P” document published prior to the international filing date but later than the priority date claimed</p> <p>“T” later document published after the international filing date or priority date and not in conflict with the application but cited to understand the principle or theory underlying the invention</p> <p>“X” document of particular relevance; the claimed invention cannot be considered novel or cannot be considered to involve an inventive step when the document is taken alone</p> <p>“Y” document of particular relevance; the claimed invention cannot be considered to involve an inventive step when the document is combined with one or more other such documents, such combination being obvious to a person skilled in the art</p> <p>“&” document member of the same patent family</p>		
Date of the actual completion of the international search 14 April 2020		Date of mailing of the international search report 14 April 2020
Name and mailing address of the ISA/TR Turkish Patent and Trademark Office (Turkpatent) Hipodrom Caddesi No. 13 06560 Yenimahalle Ankara Turkey Telephone No. (90-312) 303 11 82 Facsimile No. +903123031220		Authorized officer Safak Pak Beyin Telephone No.

INTERNATIONAL SEARCH REPORT
Information on patent family members

International application No.

PCT/TR2019/050791

Patent document cited in search report			Publication date (day/month/year)	Patent family member(s)			Publication date (day/month/year)
US	2016067713	A1	10 March 2016	CA	2910154	A1	30 October 2014
				WO	2014174980	A1	30 October 2014
				JP	2014213223	A	17 November 2014
				KR	20160003708	A	11 January 2016
				CN	105324177	A	10 February 2016
				PH	12015502447	A1	22 February 2016
				EP	2990120	A1	02 March 2016
				ZA	201508251	B	28 September 2016
				BR	112015026655	A2	25 July 2017

WO	2013115747	A1	08 August 2013	NONE			

JP	2010058115	A	18 March 2010	NONE			

US	6502773	B1	07 January 2003	DE	19726551	A1	24 December 1998
				WO	9858738	A1	30 December 1998
				ZA	9804653	B	28 January 1999
				EP	0991473	A1	12 April 2000
				CZ	387599	A3	12 April 2000
				TR	199903235T	T2	21 July 2000
				CN	1261295	A	26 July 2000
				PL	337574	A1	28 August 2000
				HU	0002665	A2	28 December 2000
				KR	20010006515	A	26 January 2001
JP	2002504854	A	12 February 2002				
