



(51) International Patent Classification:
A24F 40/465 (2020.01)

(21) International Application Number:
PCT/EP2022/066612

(22) International Filing Date:
17 June 2022 (17.06.2022)

(25) Filing Language: English

(26) Publication Language: English

(30) Priority Data:
2108765.5 18 June 2021 (18.06.2021) GB

(71) Applicant: NICOVENTURES TRADING LIMITED
[GB/GB]; Globe House, 1 Water Street, London WC2R 3LA (GB).

(72) Inventors: TAYLOR, Benjamin; BRITISH AMERICAN TOBACCO (INVESTMENTS) LIMITED, Globe House, 1 Water Street, London Greater London WC2R 3LA (GB).
COWAN, Dean; c/o BRITISH AMERICAN TOBACCO (INVESTMENTS) LIMITED, Globe House, 1 Water Street, London Greater London WC2R 3LA (GB).
HODGSON, Matthew; c/o BRITISH AMERICAN TOBACCO (INVESTMENTS) LIMITED, Globe House, 1 Water Street, London Greater London WC2R 3LA (GB).

(74) Agent: DEHNS; St Bride's House, 10 Salisbury Square, London Greater London EC4Y 8JD (GB).

(81) Designated States (unless otherwise indicated, for every kind of national protection available): AE, AG, AL, AM, AO, AT, AU, AZ, BA, BB, BG, BH, BN, BR, BW, BY, BZ, CA, CH, CL, CN, CO, CR, CU, CZ, DE, DJ, DK, DM, DO, DZ, EC, EE, EG, ES, FI, GB, GD, GE, GH, GM, GT, HN, HR, HU, ID, IL, IN, IQ, IR, IS, IT, JM, JO, JP, KE, KG, KH, KN, KP, KR, KW, KZ, LA, LC, LK, LR, LS, LU, LY, MA, MD, ME, MG, MK, MN, MW, MX, MY, MZ, NA, NG, NI, NO, NZ, OM, PA, PE, PG, PH, PL, PT, QA, RO, RS, RU, RW, SA, SC, SD, SE, SG, SK, SL, ST, SV, SY, TH, TJ, TM, TN, TR, TT, TZ, UA, UG, US, UZ, VC, VN, WS, ZA, ZM, ZW.

(84) Designated States (unless otherwise indicated, for every kind of regional protection available): ARIPO (BW, GH, GM, KE, LR, LS, MW, MZ, NA, RW, SD, SL, ST, SZ, TZ, UG, ZM, ZW), Eurasian (AM, AZ, BY, KG, KZ, RU, TJ, TM), European (AL, AT, BE, BG, CH, CY, CZ, DE, DK, EE, ES, FI, FR, GB, GR, HR, HU, IE, IS, IT, LT, LU, LV, MC, MK, MT, NL, NO, PL, PT, RO, RS, SE, SI, SK, SM, TR), OAPI (BF, BJ, CF, CG, CI, CM, GA, GN, GQ, GW, KM, ML, MR, NE, SN, TD, TG).

(54) Title: AEROSOL GENERATING DEVICE

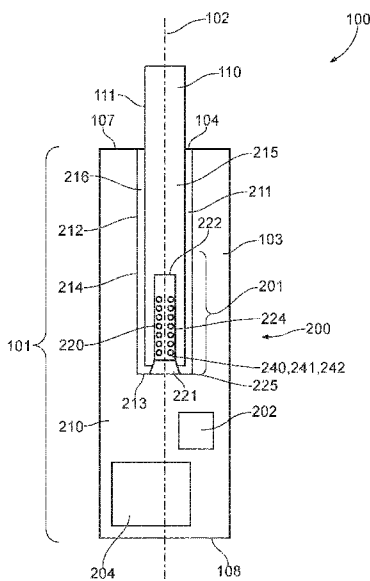


FIG. 2

(57) Abstract: An aerosol generating device (101) is described. The device is for generating an aerosol from aerosol-generating material. The device has a heating zone (215) for receiving at least a portion of an article (110) comprising aerosol-generating material and a heating assembly (201). The heating assembly comprises a magnetic field generator (240) to generate a varying magnetic field including an inductor coil (242) and a heating element (220) comprising heating material that is heatable by penetration with the varying magnetic field. The heating element protrudes in the heating zone and the inductor coil at least partially protrudes in the heating zone.



WO 2022/263657 A3

Published:

- *with international search report (Art. 21(3))*
- *before the expiration of the time limit for amending the claims and to be republished in the event of receipt of amendments (Rule 48.2(h))*

(88) Date of publication of the international search report:

23 March 2023 (23.03.2023)

INTERNATIONAL SEARCH REPORT

International application No
PCT/EP2022/066612

A. CLASSIFICATION OF SUBJECT MATTER
INV. A24F40/465
ADD.

According to International Patent Classification (IPC) or to both national classification and IPC

B. FIELDS SEARCHED

Minimum documentation searched (classification system followed by classification symbols)
A24F

Documentation searched other than minimum documentation to the extent that such documents are included in the fields searched

Electronic data base consulted during the international search (name of data base and, where practicable, search terms used)
EPO-Internal

C. DOCUMENTS CONSIDERED TO BE RELEVANT

Category*	Citation of document, with indication, where appropriate, of the relevant passages	Relevant to claim No.
A	EP 3 145 340 B1 (PHILIP MORRIS PRODUCTS SA [CH]) 4 July 2018 (2018-07-04) paragraphs [0001], [0026], [0027] paragraph [0045] - paragraph [0047] figures 1,2	1-29
X,P	CN 113 455 712 A (SHENZHEN MAISHI TECH CO LTD) 1 October 2021 (2021-10-01) the whole document	1-29
X	WO 2018/206616 A1 (PHILIP MORRIS PRODUCTS SA [CH]) 15 November 2018 (2018-11-15) abstract page 1, line 8 - line 17 page 26, line 30 - page 35, line 10 figures 1-4	30-43

Further documents are listed in the continuation of Box C.

See patent family annex.

* Special categories of cited documents :

- "A" document defining the general state of the art which is not considered to be of particular relevance
- "E" earlier application or patent but published on or after the international filing date
- "L" document which may throw doubts on priority claim(s) or which is cited to establish the publication date of another citation or other special reason (as specified)
- "O" document referring to an oral disclosure, use, exhibition or other means
- "P" document published prior to the international filing date but later than the priority date claimed

- "T" later document published after the international filing date or priority date and not in conflict with the application but cited to understand the principle or theory underlying the invention
- "X" document of particular relevance; the claimed invention cannot be considered novel or cannot be considered to involve an inventive step when the document is taken alone
- "Y" document of particular relevance; the claimed invention cannot be considered to involve an inventive step when the document is combined with one or more other such documents, such combination being obvious to a person skilled in the art
- "&" document member of the same patent family

Date of the actual completion of the international search

Date of mailing of the international search report

13 February 2023

22/02/2023

Name and mailing address of the ISA/
 European Patent Office, P.B. 5818 Patentlaan 2
 NL - 2280 HV Rijswijk
 Tel. (+31-70) 340-2040,
 Fax: (+31-70) 340-3016

Authorized officer

Payr, Matthias

INTERNATIONAL SEARCH REPORT

International application No.
PCT/EP2022/066612

Box No. II Observations where certain claims were found unsearchable (Continuation of item 2 of first sheet)

This international search report has not been established in respect of certain claims under Article 17(2)(a) for the following reasons:

1. Claims Nos.:
because they relate to subject matter not required to be searched by this Authority, namely:

2. Claims Nos.:
because they relate to parts of the international application that do not comply with the prescribed requirements to such an extent that no meaningful international search can be carried out, specifically:

3. Claims Nos.:
because they are dependent claims and are not drafted in accordance with the second and third sentences of Rule 6.4(a).

Box No. III Observations where unity of invention is lacking (Continuation of item 3 of first sheet)

This International Searching Authority found multiple inventions in this international application, as follows:

see additional sheet

1. As all required additional search fees were timely paid by the applicant, this international search report covers all searchable claims.

2. As all searchable claims could be searched without effort justifying an additional fees, this Authority did not invite payment of additional fees.

3. As only some of the required additional search fees were timely paid by the applicant, this international search report covers only those claims for which fees were paid, specifically claims Nos.:

4. No required additional search fees were timely paid by the applicant. Consequently, this international search report is restricted to the invention first mentioned in the claims;; it is covered by claims Nos.:

Remark on Protest

- The additional search fees were accompanied by the applicant's protest and, where applicable, the payment of a protest fee.
- The additional search fees were accompanied by the applicant's protest but the applicable protest fee was not paid within the time limit specified in the invitation.
- No protest accompanied the payment of additional search fees.

FURTHER INFORMATION CONTINUED FROM PCT/ISA/ 210

This International Searching Authority found multiple (groups of) inventions in this international application, as follows:

1. claims: 1-29

An aerosol generating device with heating element heated by varying magnetic field induced by inductor coil in proximity of the heating element

2. claims: 30-43

Aerosol generating device with exposed heating arrangement protruding from the housing of the aerosol generating device

INTERNATIONAL SEARCH REPORT

Information on patent family members

International application No

PCT/EP2022/066612

Patent document cited in search report	Publication date	Patent family member(s)	Publication date
EP 3145340	B1	04-07-2018	
		AR 100582 A1	19-10-2016
		AU 2015261870 A1	25-08-2016
		BR 112016024274 A2	15-08-2017
		CA 2939882 A1	26-11-2015
		CN 106455714 A	22-02-2017
		CN 111035072 A	21-04-2020
		CN 111109662 A	08-05-2020
		CN 111449293 A	28-07-2020
		DK 3145340 T3	13-08-2018
		EP 3145340 A1	29-03-2017
		EP 3406148 A1	28-11-2018
		EP 3777572 A1	17-02-2021
		ES 2683185 T3	25-09-2018
		ES 2837577 T3	30-06-2021
		HU E039833 T2	28-02-2019
		JP 6789119 B2	25-11-2020
		JP 7011684 B2	27-01-2022
		JP 2017515488 A	15-06-2017
		JP 2020171310 A	22-10-2020
		JP 2022058616 A	12-04-2022
		KR 20170007262 A	18-01-2017
		LT 3145340 T	10-08-2018
		PH 12016501539 A1	06-02-2017
		PL 3145340 T3	31-12-2018
		PL 3406148 T3	19-04-2021
		PT 3145340 T	08-11-2018
		RU 2019115142 A	04-06-2019
		SG 11201608804U A	29-11-2016
		SI 3145340 T1	31-08-2018
		TR 201810820 T4	27-08-2018
		TW 201544023 A	01-12-2015
		UA 120363 C2	25-11-2019
		US 2017095003 A1	06-04-2017
		US 2018317561 A1	08-11-2018
		US 2020000152 A1	02-01-2020
		US 2021120875 A1	29-04-2021
		WO 2015177247 A1	26-11-2015
<hr/>			
CN 113455712	A	01-10-2021	NONE
<hr/>			
WO 2018206616	A1	15-11-2018	
		CN 110573035 A	13-12-2019
		EP 3621465 A1	18-03-2020
		JP 7210473 B2	23-01-2023
		JP 2020519266 A	02-07-2020
		KR 20190141012 A	20-12-2019
		RU 2019138679 A	10-06-2021
		US 2020060348 A1	27-02-2020
		WO 2018206616 A1	15-11-2018
<hr/>			