



US0D1004218S

(12) **United States Design Patent**
Xi

(10) **Patent No.:** **US D1,004,218 S**

(45) **Date of Patent:** **** Nov. 7, 2023**

(54) **BIRD FEEDER**

(71) Applicant: **Kunpeng Xi**, Kaifeng (CN)

(72) Inventor: **Kunpeng Xi**, Kaifeng (CN)

(**) Term: **15 Years**

(21) Appl. No.: **29/892,952**

(22) Filed: **May 24, 2023**

(51) **LOC (14) Cl.** **30-03**

(52) **U.S. Cl.**

USPC **D30/124**

(58) **Field of Classification Search**

USPC D30/124-128; 119/70, 71, 52.2, 52.3,
119/52.4, 53, 53.5, 54, 55, 57.8, 57.9,
119/57.91, 69.5

CPC A01K 1/0353; A01K 5/00; A01K 39/02;
A01K 39/04; A01K 39/0213

See application file for complete search history.

(56) **References Cited**

U.S. PATENT DOCUMENTS

D502,293	S	*	2/2005	Harger	D30/124
D589,213	S	*	3/2009	Colvin	D30/128
D899,703	S	*	10/2020	Shen	D30/127
D975,930	S		1/2023	Lu		

OTHER PUBLICATIONS

“Redboat 2 Pack Window Hummingbird Feeders” available Mar. 19, 2023, [online], [site visited Jun. 15, 2023]. Retrieved from

Internet, URL: https://www.amazon.com/Redboat-Hummingbird-Feeders-Suction-Plastic/dp/B0BVJHR8LL/ref=cm_cr_ar_p_d_product_top?ie=UTF8&th=1 (Year: 2023).*

“Outdoor, Window Hummingbird Feeder” available Jun. 15, 2023, [online], [site visited Jun. 15, 2023]. Retrieved from Internet, URL: https://www.amazon.com/Hummingbird-Feeder-Red-Leak-Proof-Lightweight/dp/B0C5CSC2Y5/ref=sr_1_85 (Year: 2023).*

* cited by examiner

Primary Examiner — Katrina N Gonzalez

(74) *Attorney, Agent, or Firm* — Georgi Korobanov

(57) **CLAIM**

The ornamental design for a bird feeder, as shown and described.

DESCRIPTION

FIG. 1 is a front perspective view of a bird feeder, showing my new design;

FIG. 2 is a rear perspective view thereof;

FIG. 3 is a front view thereof;

FIG. 4 is a rear view thereof;

FIG. 5 is a left side view thereof;

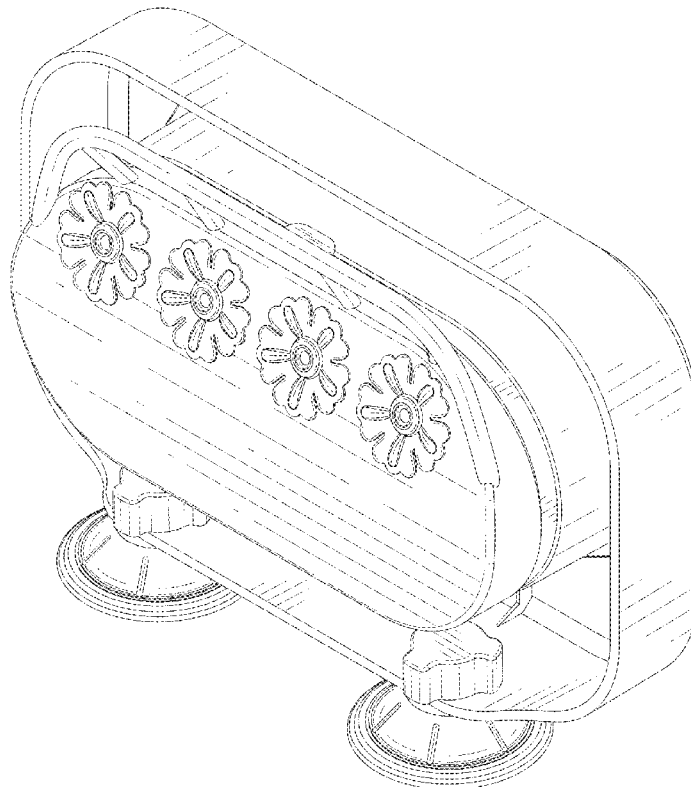
FIG. 6 is a right side view thereof;

FIG. 7 is a top view thereof; and,

FIG. 8 is a bottom view thereof.

The broken lines illustrate portions of the bird feeder that form no part of the claimed design.

1 Claim, 8 Drawing Sheets



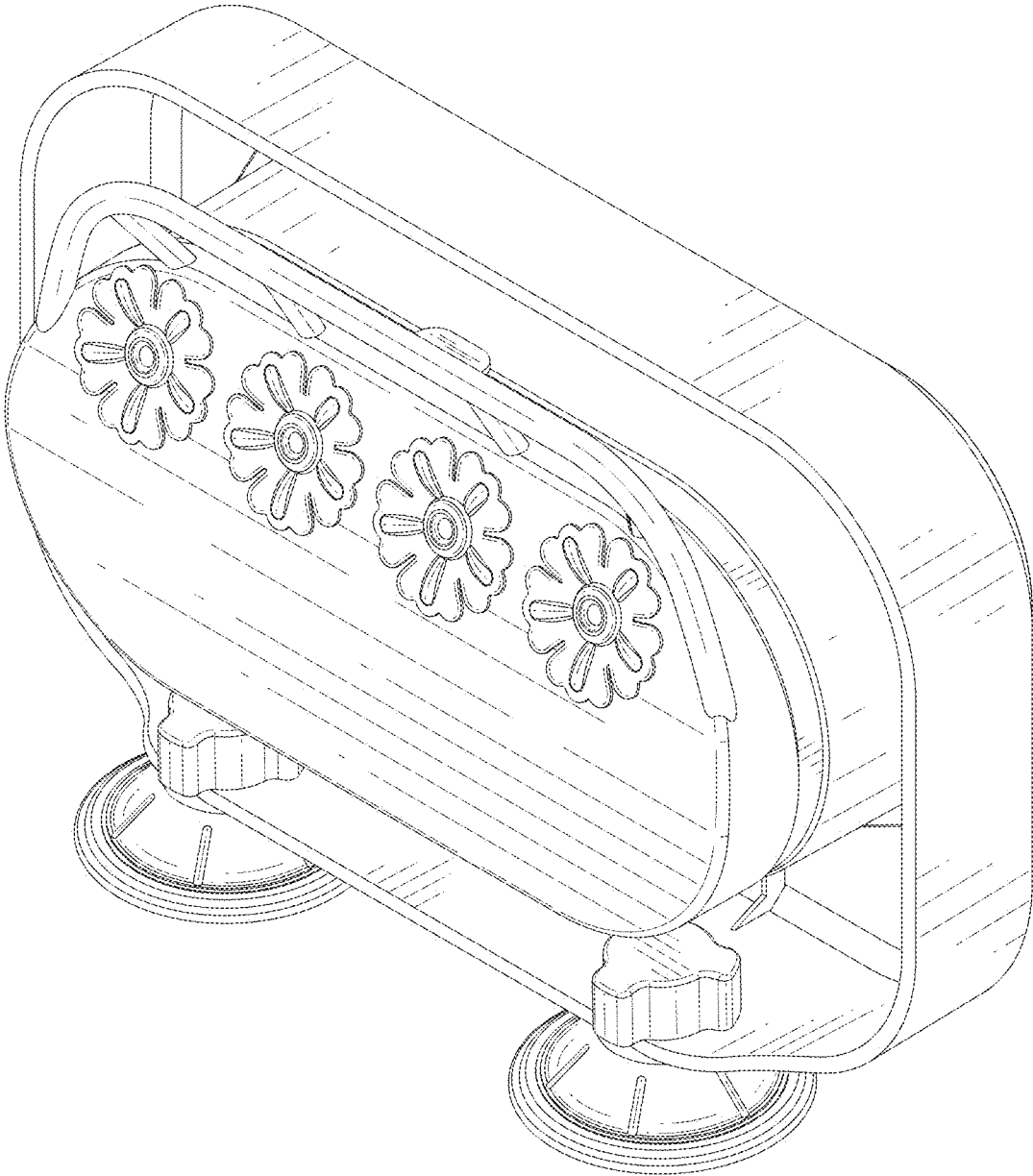


FIG. 1

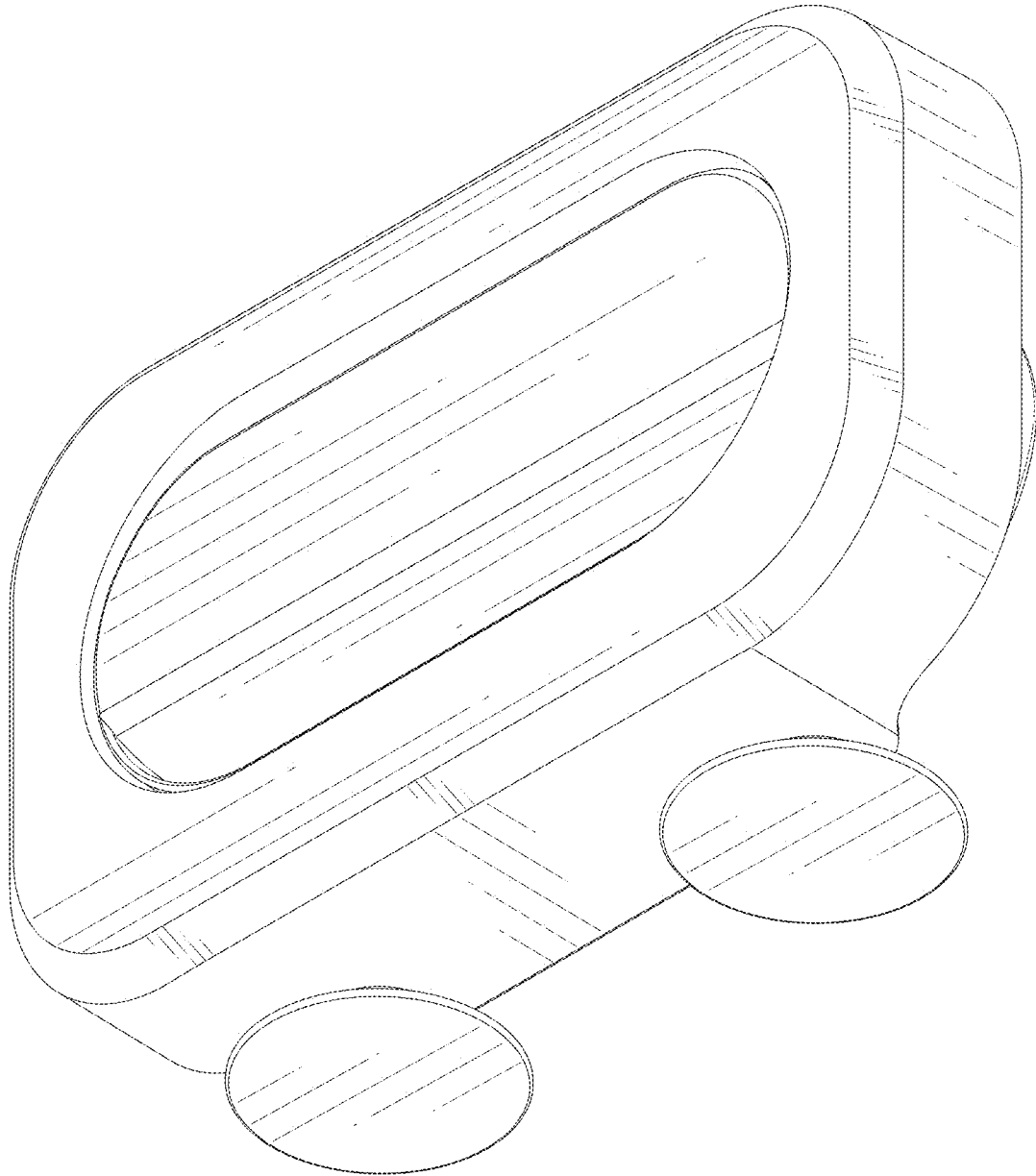


FIG. 2

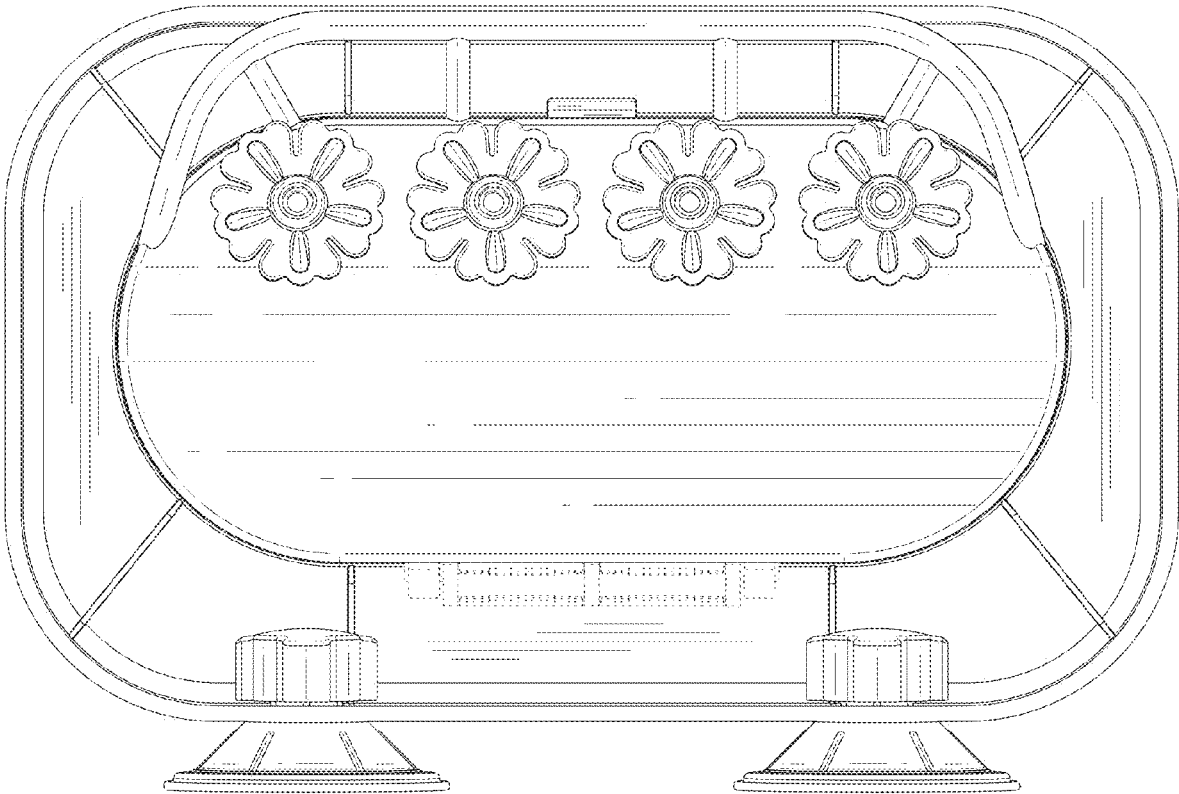


FIG. 3

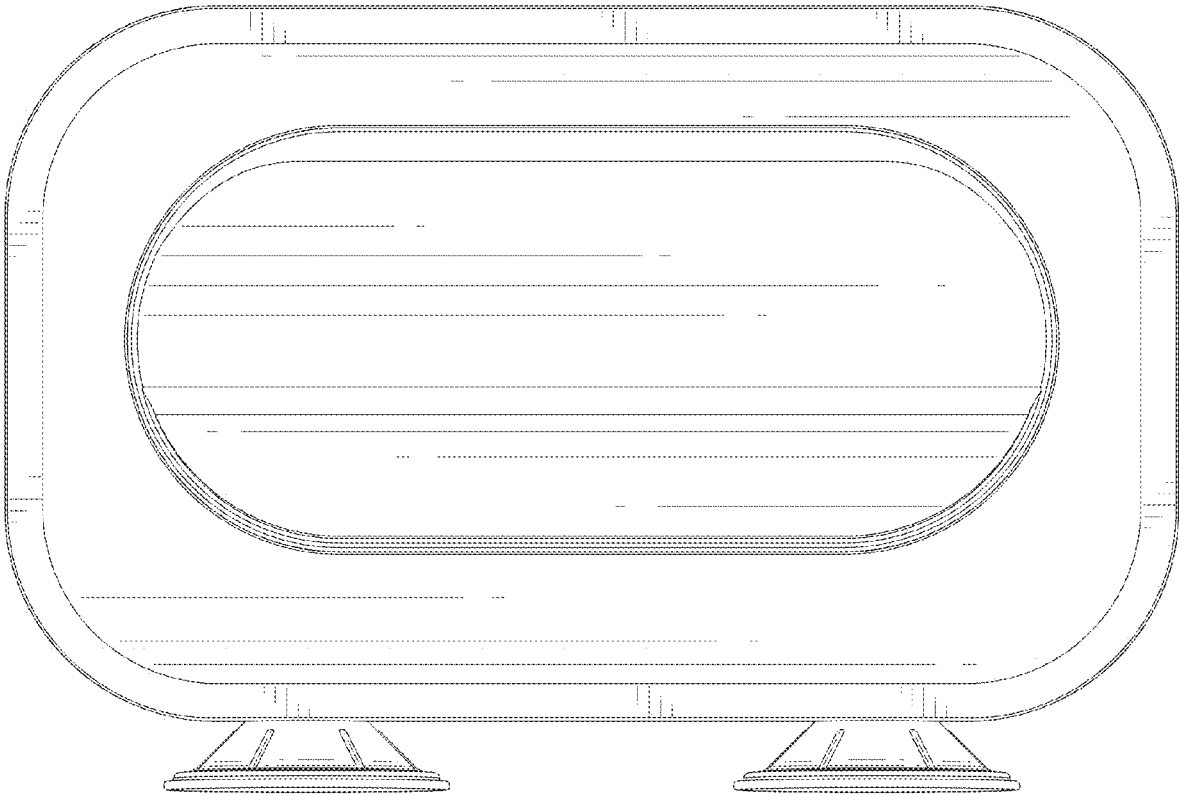


FIG. 4

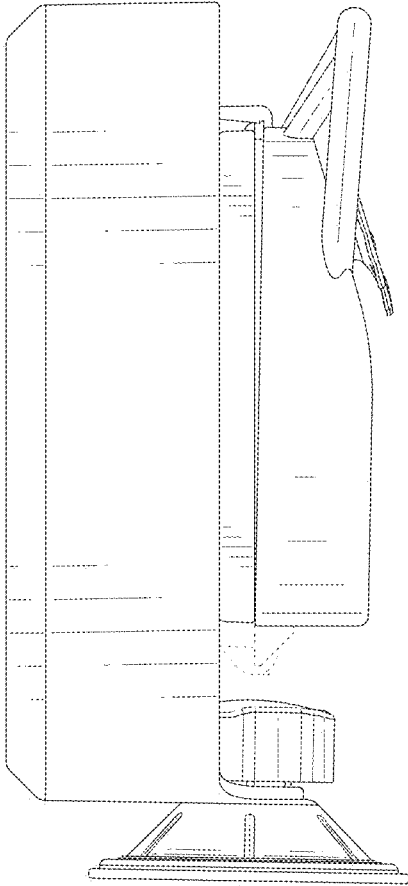


FIG. 5

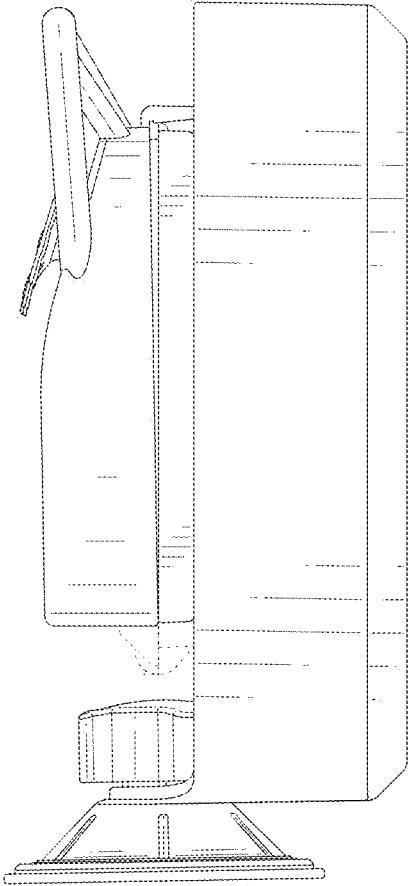


FIG. 6

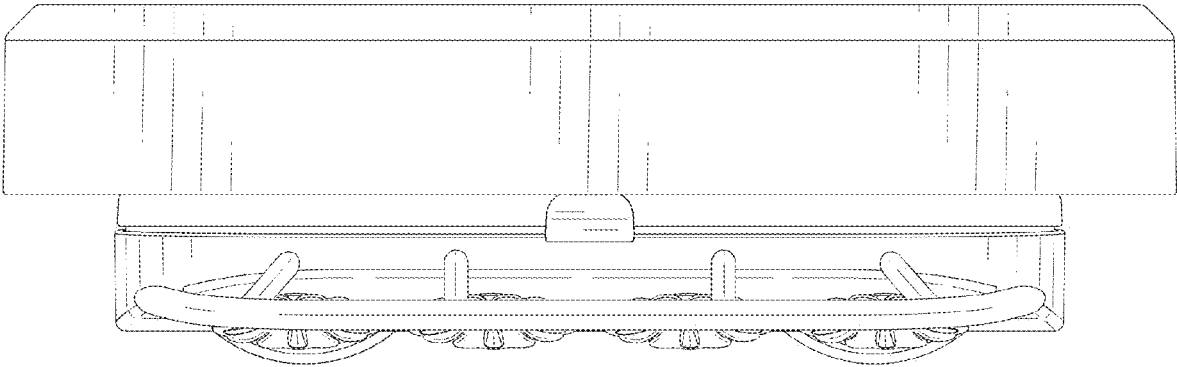


FIG. 7

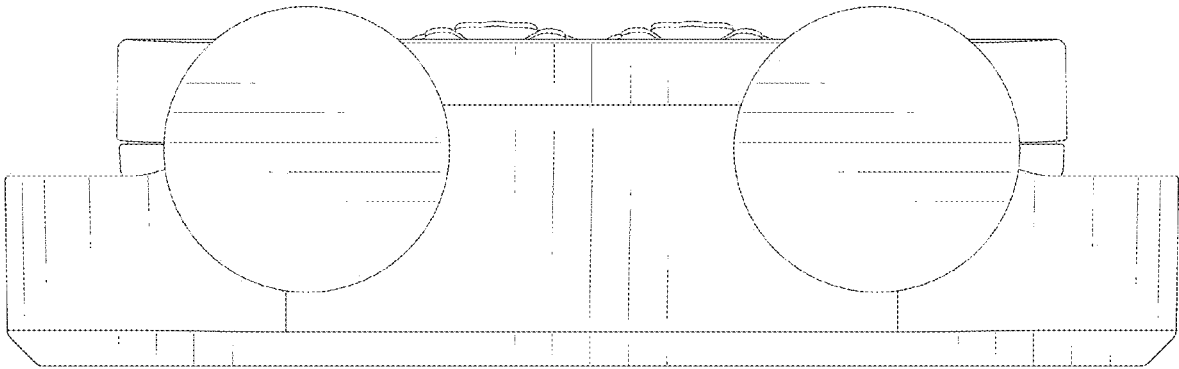


FIG. 8