



(11) **EP 2 485 179 A3**

(12) **EUROPEAN PATENT APPLICATION**

(88) Date of publication A3:  
**21.08.2013 Bulletin 2013/34**

(51) Int Cl.:  
**G06K 19/04 (2006.01)** **G06K 19/077 (2006.01)**  
**G11B 33/04 (2006.01)**

(43) Date of publication A2:  
**08.08.2012 Bulletin 2012/32**

(21) Application number: **12166459.3**

(22) Date of filing: **25.04.2007**

(84) Designated Contracting States:  
**AT BE BG CH CY CZ DE DK EE ES FI FR GB GR  
HU IE IS IT LI LT LU LV MC MT NL PL PT RO SE  
SI SK TR**

(30) Priority: **27.04.2006 US 745813 P**  
**29.09.2006 US 536886**

(62) Document number(s) of the earlier application(s) in  
accordance with Art. 76 EPC:  
**07797277.6 / 2 011 060**

(71) Applicant: **SanDisk Technologies, Inc.**  
**Plano TX 75024 (US)**

(72) Inventors:  
• **Gonzalez, Carlos J.**  
**Los Gatos, CA 95032 (US)**

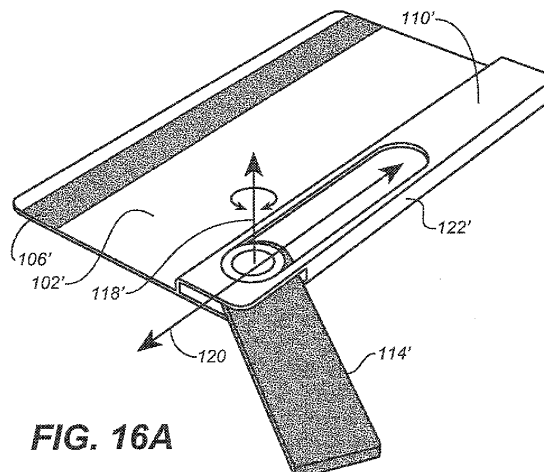
- **Cuellar, Edwin J.**  
**San Jose, CA 95124 (US)**
- **Jacobs, Joel**  
**Seattle, WA 98103 (US)**
- **Miller, Robert C.**  
**San Jose, CA 95129 (US)**
- **Lapedis, Ronald**  
**San Bruno, CA 94066 (US)**

(74) Representative: **Prock, Thomas**  
**Marks & Clerk LLP**  
**90 Long Acre**  
**London**  
**WC2E 9RA (GB)**

(54) **Credit card comprising mass storage flash memory drive**

(57) A flash memory mass storage drives stores user files in a credit card. Communication may be through a host interface connector such as a USB connector, a magnetic interface, a smart card interface, and/or a near field communication interface. In certain embodiments

the drive comprises a portion that is sufficiently thin to be swiped through a standard credit card, ATM, or point of sale device. The USB connector of the drive can easily be plugged into even a crowded receptacle of a host-computing device.



**FIG. 16A**



EUROPEAN SEARCH REPORT

Application Number  
EP 12 16 6459

DOCUMENTS CONSIDERED TO BE RELEVANT			
Category	Citation of document with indication, where appropriate, of relevant passages	Relevant to claim	CLASSIFICATION OF THE APPLICATION (IPC)
Y	WO 2006/027027 A (FREECOM TECHNOLOGIES B V [NL]; ROLF JURJEN JOHAN [NL]; HOOGERDIJK DICK) 16 March 2006 (2006-03-16) * abstract * * page 5, line 27 - page 6, line 2 * * page 8, line 16 - page 9, line 20 * * page 9, line 32 - line 33 * * page 10, line 32 - page 11, line 3 * * page 12, line 6 - page 13, line 11 * * figures 1-3,9-12 * -----	1-15	INV. G06K19/04 G06K19/077 G11B33/04
Y	DE 10 2004 026956 A1 (MUELLER CORNELIA [DE]) 29 December 2005 (2005-12-29) * the whole document * -----	1-13	
Y	US 2006/084287 A1 (MILLER ROBERT C [US] ET AL) 20 April 2006 (2006-04-20) * the whole document * -----	14,15	
			TECHNICAL FIELDS SEARCHED (IPC)
			G06K
The present search report has been drawn up for all claims			
1	Place of search Munich	Date of completion of the search 12 July 2013	Examiner Berger, Christian
CATEGORY OF CITED DOCUMENTS		T : theory or principle underlying the invention E : earlier patent document, but published on, or after the filing date D : document cited in the application L : document cited for other reasons ..... & : member of the same patent family, corresponding document	
X : particularly relevant if taken alone Y : particularly relevant if combined with another document of the same category A : technological background O : non-written disclosure P : intermediate document			

EPO FORM 1503 03/02 (P04C01)

**ANNEX TO THE EUROPEAN SEARCH REPORT  
ON EUROPEAN PATENT APPLICATION NO.**

EP 12 16 6459

This annex lists the patent family members relating to the patent documents cited in the above-mentioned European search report. The members are as contained in the European Patent Office EDP file on The European Patent Office is in no way liable for these particulars which are merely given for the purpose of information.

12-07-2013

Patent document cited in search report	Publication date	Patent family member(s)	Publication date
WO 2006027027 A	16-03-2006	NONE	
-----			
DE 102004026956 A1	29-12-2005	NONE	
-----			
US 2006084287 A1	20-04-2006	CN 1947135 A	11-04-2007
		EP 1735736 A1	27-12-2006
		JP 2007533041 A	15-11-2007
		KR 20070026455 A	08-03-2007
		US 2005230483 A1	20-10-2005
		US 2006084287 A1	20-04-2006
		US 2006282553 A1	14-12-2006
		US 2007099511 A1	03-05-2007
		US 2008064272 A1	13-03-2008
		US 2009132763 A1	21-05-2009
		US 2009134228 A1	28-05-2009
		WO 2005104025 A1	03-11-2005
-----			

EPO FORM P0459

For more details about this annex : see Official Journal of the European Patent Office, No. 12/82