



(51) International Patent Classification:
C12M 3/00 (2006.01)

(21) International Application Number:
PCT/US2020/015284

(22) International Filing Date:
28 January 2020 (28.01.2020)

(25) Filing Language: English

(26) Publication Language: English

(30) Priority Data:
62/797,409 28 January 2019 (28.01.2019) US

(71) Applicants: **COOK MEDICAL TECHNOLOGIES LLC** [US/US]; 750 N. Daniels Way, Bloomington, IN 47404 (US). **MUFFIN INCORPORATED DBA COOK ADVANCED TECHNOLOGIES** [US/US]; 1400 Cumberland Avenue, West Lafayette, IN 47906 (US).

(72) Inventors: **FEARNOT, Neal**; 1311 East 500 North, West Lafayette, IN 47906 (US). **ROBBINS, Sarah**; 618 South 11th Street, Lafayette, IN 47905 (US). **BUHRMESTER, Marc**; P.O. Box 694, Dayton, IN 47941 (US). **KRIEGER, Joshua**; 260 Ipswich Rd., Topsfield, MA 01983 (US). **CONVERSE, Gabriel**; 8250 Timber Ln., Lafayette, IN 47905 (US).

(74) Agent: **VAN TUINEN, Timothy, J.**; Buchanan Van Tuinen LLC, P.O. Box 700, Perrysburg, OH 43552 (US).

(81) Designated States (unless otherwise indicated, for every kind of national protection available): AE, AG, AL, AM, AO, AT, AU, AZ, BA, BB, BG, BH, BN, BR, BW, BY, BZ, CA, CH, CL, CN, CO, CR, CU, CZ, DE, DJ, DK, DM, DO, DZ, EC, EE, EG, ES, FI, GB, GD, GE, GH, GM, GT, HN, HR, HU, ID, IL, IN, IR, IS, JO, JP, KE, KG, KH, KN, KP, KR, KW, KZ, LA, LC, LK, LR, LS, LU, LY, MA, MD, ME, MG, MK, MN, MW, MX, MY, MZ, NA, NG, NI, NO, NZ, OM, PA, PE, PG, PH, PL, PT, QA, RO, RS, RU, RW, SA, SC, SD, SE, SG, SK, SL, ST, SV, SY, TH, TJ, TM, TN, TR, TT, TZ, UA, UG, US, UZ, VC, VN, WS, ZA, ZM, ZW.

(84) Designated States (unless otherwise indicated, for every kind of regional protection available): ARIPO (BW, GH, GM, KE, LR, LS, MW, MZ, NA, RW, SD, SL, ST, SZ, TZ, UG, ZM, ZW), Eurasian (AM, AZ, BY, KG, KZ, RU, TJ, TM), European (AL, AT, BE, BG, CH, CY, CZ, DE, DK, EE, ES, FI, FR, GB, GR, HR, HU, IE, IS, IT, LT, LU, LV, MC, MK, MT, NL, NO, PL, PT, RO, RS, SE, SI, SK, SM, TR), OAPI (BF, BJ, CF, CG, CI, CM, GA, GN, GQ, GW, KM, ML, MR, NE, SN, TD, TG).

(54) Title: CELL TISSUE PROCESSING APPARATUS, SYSTEMS, METHODS, AND PRODUCTS

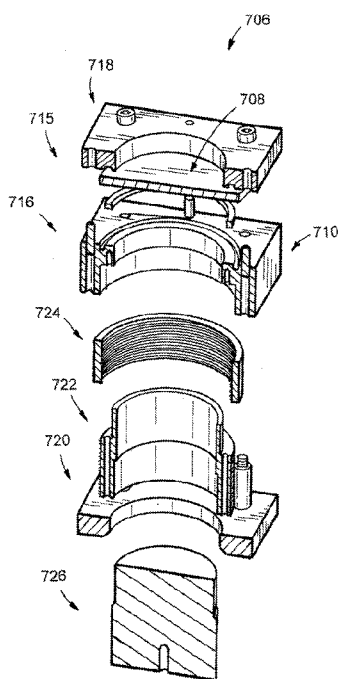


FIG. 19

(57) Abstract: Material processing apparatus, systems, methods, and products are described. An example of a material processing apparatus includes a holding member, a base, a tensioning member, an actuator, and a first inner member. The holding member defines a holding member passageway. The base is attached to the holding member. The tensioning member is partially disposed within the holding member passageway. The tensioning member defines a tensioning member passageway. The tensioning member is moveable relative to the holding member between a first position and a second position. The actuator is attached to the tensioning member and is moveable in a first direction and a second direction. Movement of the actuator results in movement of the tensioning member between its first position and second position. The first inner member is adapted to be disposed within the tensioning member passageway.



Published:

- *with international search report (Art. 21(3))*
- *before the expiration of the time limit for amending the claims and to be republished in the event of receipt of amendments (Rule 48.2(h))*

(88) Date of publication of the international search report:

17 September 2020 (17.09.2020)

INTERNATIONAL SEARCH REPORT

International application No
PCT/US2020/015284

A. CLASSIFICATION OF SUBJECT MATTER
INV. C12M3/00
ADD.
According to International Patent Classification (IPC) or to both national classification and IPC

B. FIELDS SEARCHED
Minimum documentation searched (classification system followed by classification symbols)
C12M
Documentation searched other than minimum documentation to the extent that such documents are included in the fields searched

Electronic data base consulted during the international search (name of data base and, where practicable, search terms used)
EPO-Internal

C. DOCUMENTS CONSIDERED TO BE RELEVANT		
Category*	Citation of document, with indication, where appropriate, of the relevant passages	Relevant to claim No.
X	WO 00/17317 A1 (BIO RAD LABORATORIES [US]; LEE ANN A [US]; LAIB JESSIE CAROLYN [US]) 30 March 2000 (2000-03-30) page 3, lines 10-21 page 6, line 11 - page 7, line 36; figure 1	1,3,5,6, 8,14,15, 17-20
Y	WO 2018/149795 A1 (IFOM FONDAZIONE ST FIRC DI ONCOLOGIA MOLECOLARE [IT]) 23 August 2018 (2018-08-23) page 1, lines 5-9 page 3, lines 14-20 page 3, line 28 - page 6, line 2 page 18, line 14 - page 21, line 32; figures 1,2	2,4,7, 9-13,16, 21-23

Further documents are listed in the continuation of Box C.

See patent family annex.

* Special categories of cited documents :

- "A" document defining the general state of the art which is not considered to be of particular relevance
- "E" earlier application or patent but published on or after the international filing date
- "L" document which may throw doubts on priority claim(s) or which is cited to establish the publication date of another citation or other special reason (as specified)
- "O" document referring to an oral disclosure, use, exhibition or other means
- "P" document published prior to the international filing date but later than the priority date claimed

"T" later document published after the international filing date or priority date and not in conflict with the application but cited to understand the principle or theory underlying the invention

"X" document of particular relevance; the claimed invention cannot be considered novel or cannot be considered to involve an inventive step when the document is taken alone

"Y" document of particular relevance; the claimed invention cannot be considered to involve an inventive step when the document is combined with one or more other such documents, such combination being obvious to a person skilled in the art

"&" document member of the same patent family

Date of the actual completion of the international search 20 July 2020	Date of mailing of the international search report 04/08/2020
---	--

Name and mailing address of the ISA/ European Patent Office, P.B. 5818 Patentlaan 2 NL - 2280 HV Rijswijk Tel. (+31-70) 340-2040, Fax: (+31-70) 340-3016	Authorized officer Mateo Rosell, A
--	---

INTERNATIONAL SEARCH REPORT

International application No
PCT/US2020/015284

C(Continuation). DOCUMENTS CONSIDERED TO BE RELEVANT		
Category*	Citation of document, with indication, where appropriate, of the relevant passages	Relevant to claim No.
Y	<p>WO 2017/198988 A2 (THE UNIV OF DUNDEE [GB]) 23 November 2017 (2017-11-23)</p> <p>page 1, lines 5-7 page 13, line 15; figure 1 page 16, line 11 - page 18, line 5; figures 5,6 page 19, line 1 - page 20, line 7; figure 8 page 20, line 14 - page 22, line 20; figures 10-15</p> <p style="text-align: center;">-----</p>	2,4,7, 9-13,16, 21-23
A	<p>WO 2009/147482 A2 (TECHFAB S R L [IT]; PIZZI MARCO [IT] ET AL.) 10 December 2009 (2009-12-10)</p> <p>page 1, paragraph 1 page 3, last line - page 7, paragraph 1; figure 1 figures 3-5</p> <p style="text-align: center;">-----</p>	1-23
A	<p>US 2014/024112 A1 (GALIANO ROBERT D [US] ET AL) 23 January 2014 (2014-01-23)</p> <p>page 1, paragraph [0006]-[0008] page 2, paragraph [0021]-[0022]; figure 1 page 2, paragraph [0024] page 3, paragraph [0026]; figures 2-4 page 3, paragraph [0027]-[0028]; figures 5-8</p> <p style="text-align: center;">-----</p>	1-23

INTERNATIONAL SEARCH REPORT

Information on patent family members

International application No

PCT/US2020/015284

Patent document cited in search report	Publication date	Patent family member(s)	Publication date
WO 0017317	A1	30-03-2000	
		AU 731340 B2	29-03-2001
		CA 2305369 A1	30-03-2000
		EP 1032646 A1	06-09-2000
		JP 3459633 B2	20-10-2003
		JP 2002526064 A	20-08-2002
		WO 0017317 A1	30-03-2000

WO 2018149795	A1	23-08-2018	
		EP 3583199 A1	25-12-2019
		US 2019390152 A1	26-12-2019
		WO 2018149795 A1	23-08-2018

WO 2017198988	A2	23-11-2017	
		EP 3457843 A2	27-03-2019
		EP 3457844 A1	27-03-2019
		US 2019219564 A1	18-07-2019
		US 2019300830 A1	03-10-2019
		WO 2017198988 A2	23-11-2017
		WO 2017198989 A1	23-11-2017

WO 2009147482	A2	10-12-2009	NONE

US 2014024112	A1	23-01-2014	NONE
