



US 20150304356A1

(19) **United States**

(12) **Patent Application Publication**  
**Cooper**

(10) **Pub. No.: US 2015/0304356 A1**

(43) **Pub. Date: Oct. 22, 2015**

(54) **METHOD, SYSTEM AND COMPUTER PROGRAM PRODUCT FOR ENFORCING ACCESS CONTROLS TO FEATURES AND SUBFEATURES ON UNCONTROLLED WEB APPLICATION**

(52) **U.S. Cl.**  
CPC ..... *H04L 63/20* (2013.01); *H04L 63/1408* (2013.01); *G06Q 50/01* (2013.01)

(71) Applicant: **Socialware, Inc.**, Austin, TX (US)

(57) **ABSTRACT**

(72) Inventor: **Cameron Blair Cooper**, Lakeway, TX (US)

(21) Appl. No.: **14/733,562**

(22) Filed: **Jun. 8, 2015**

**Related U.S. Application Data**

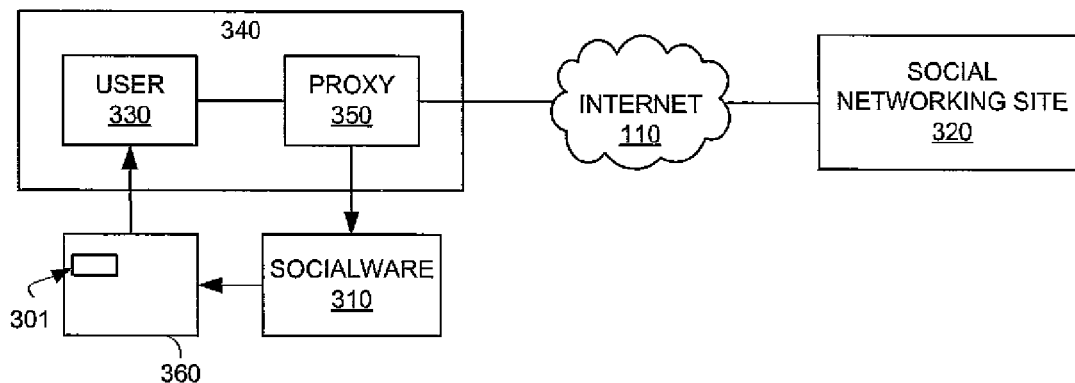
(63) Continuation of application No. 12/785,278, filed on May 21, 2010, now Pat. No. 9,071,650.

(60) Provisional application No. 61/303,191, filed on Feb. 10, 2010.

**Publication Classification**

(51) **Int. Cl.**  
*H04L 29/06* (2006.01)  
*G06Q 50/00* (2006.01)

Embodiments disclosed herein provide feature-level access control functionality useful for enforcing access controls to features and subfeatures on uncontrolled, third party Web Applications such as those associated with social networking sites. Specifically, pages of uncontrolled Web applications are programmatically inspected as they are accessed by users of an enterprise computing environment. Specific features on the pages are located and access to these features is enabled or disabled on a per user basis. A modified page is generated if feature(s) on a Web page is/are to be disabled. To block certain feature(s), content may be rewritten on-the-fly. Because embodiments disclosed herein can programmatically inspect a Web page and understand what is on the page at a much finer granularity, it is possible for enterprises to gain benefits that may come from embracing social networking sites without risking the downsides of allowing enterprise users access to uncontrolled Web applications.



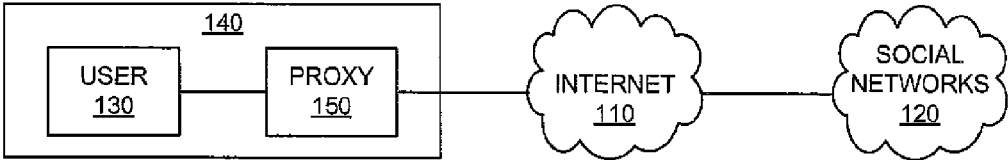


FIG. 1 (PRIOR ART)

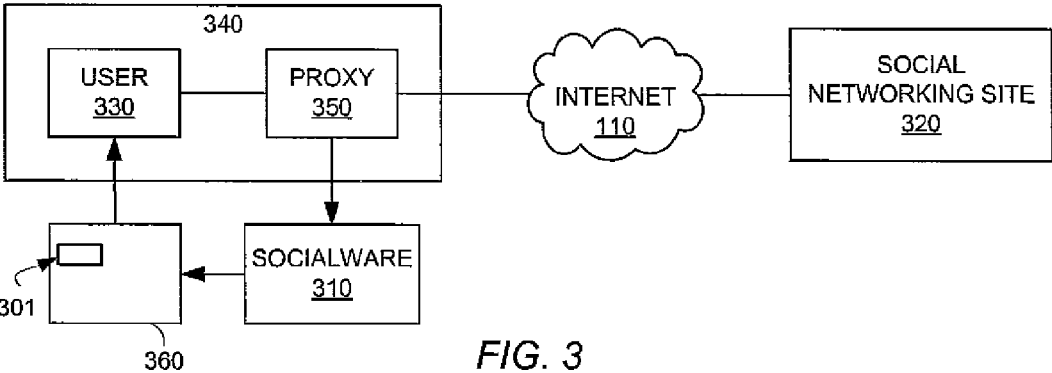


FIG. 3

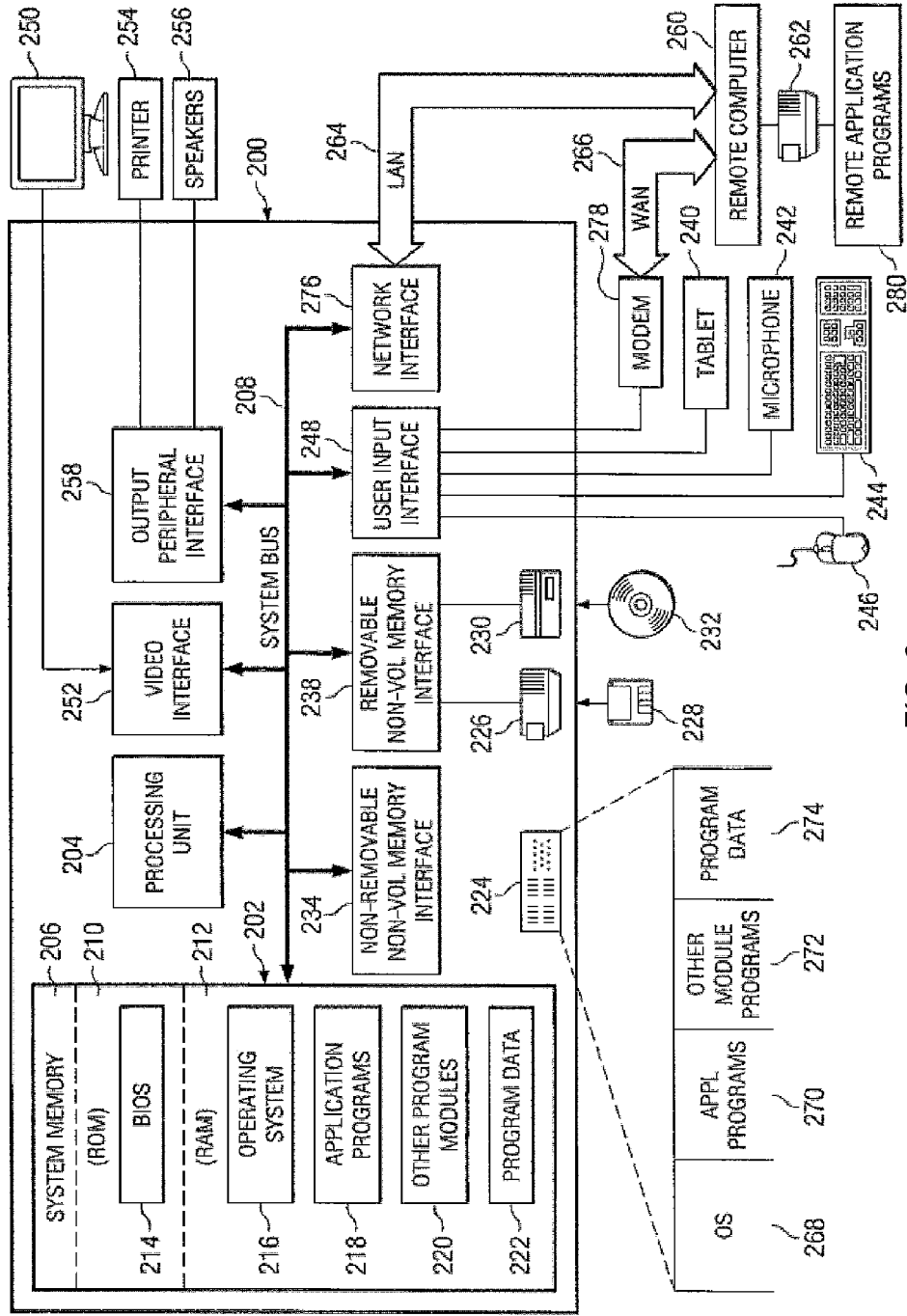
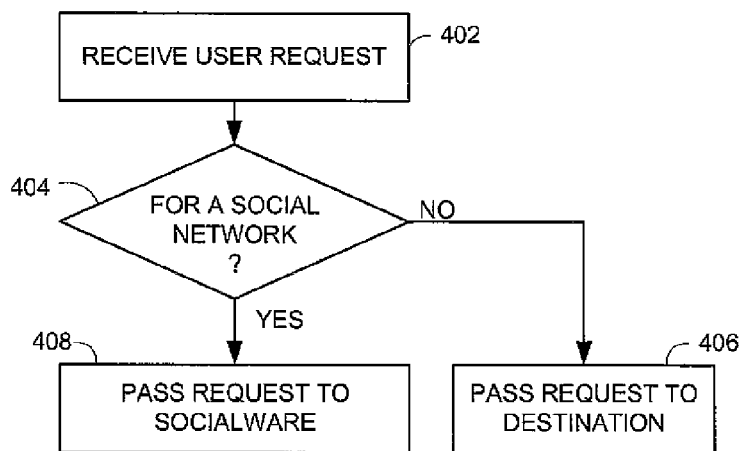
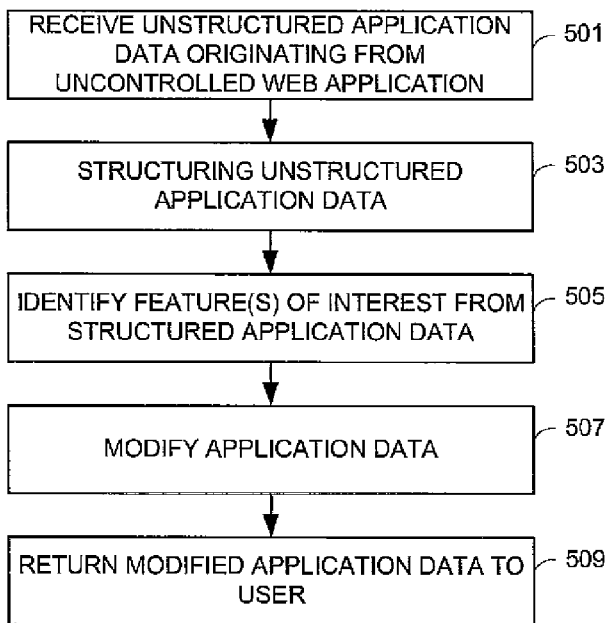


FIG. 2



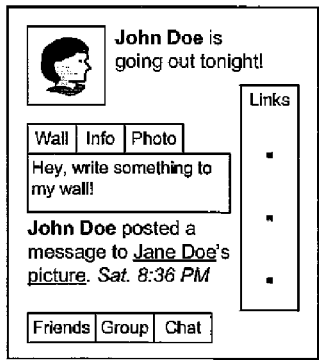
400

FIG. 4



500

FIG. 5

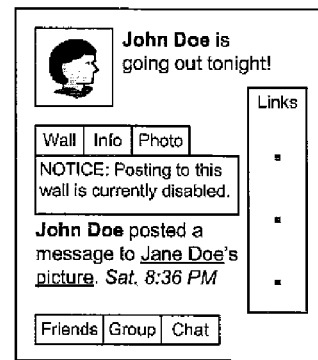


601  
FIG. 6A

```

<html>
<head>
...
<script>PageletStream
({ "id": "pagelet_stream"
...
<a href="http://
www.socialnetworksite.com/
profile.php?id=1234567890&
;ref=gf";
...
">John Doe</a>is going out
tonight!</h3><form method=
"POST" action="\ajax/
...
</script>
</body>
</html>
    
```

611  
FIG. 6B



630  
FIG. 6C

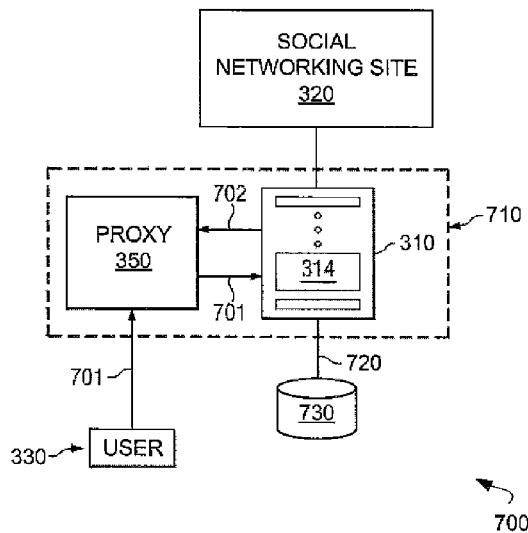


FIG. 7

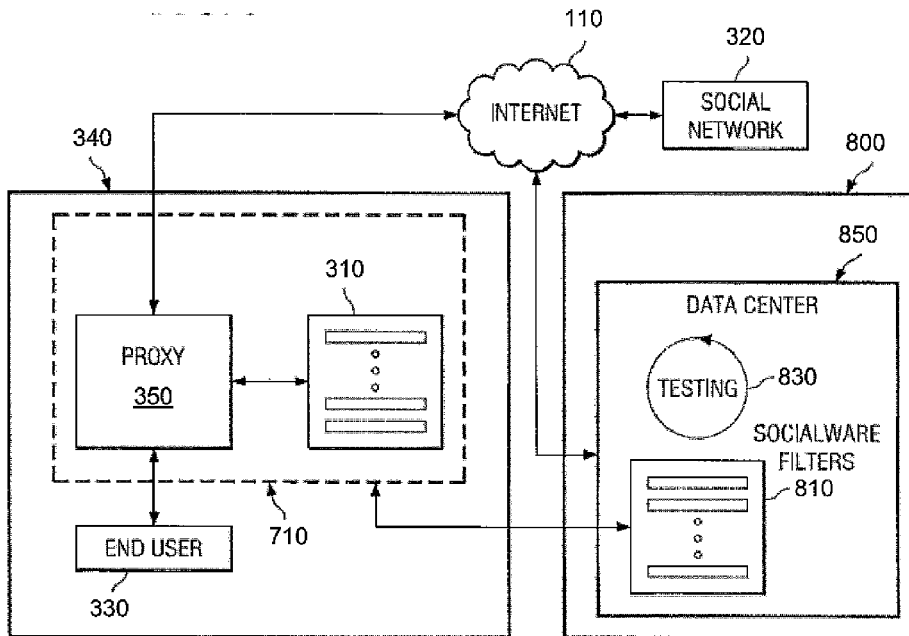


FIG. 8

900

Roles Users Moderation Rules Filters Platforms Customers

Default  
Test

Add New Role

### Add Role

Name  
[Text Input]

Type  
[Text Input]

Parent Role  
Choose One [Dropdown]

Enable Social Bar  Enable Terms of Service

Facebook Rules

|   |   |
|---|---|
| <input type="checkbox"/> Block All                  | <input type="checkbox"/> Block Chat                     |
| <input type="checkbox"/> Block Applications         | <input type="checkbox"/> Block Creating Albums          |
| <input type="checkbox"/> Block Creating Events      | <input type="checkbox"/> Block Profile Editing          |
| <input type="checkbox"/> Block Events               | <input type="checkbox"/> Block Groups                   |
| <input type="checkbox"/> Block Inbox                | <input type="checkbox"/> Block Notes                    |
| <input type="checkbox"/> Block Posting Video        | <input type="checkbox"/> Block Recording Video          |
| <input type="checkbox"/> Block Uploading Photos     | <input type="checkbox"/> Block Status Updates           |
| <input type="checkbox"/> Block Writing Comments     | <input type="checkbox"/> Archive Home Page              |
| <input type="checkbox"/> Archive Profiles           | <input type="checkbox"/> Archive Read Messages          |
| <input type="checkbox"/> Archive Status Updates     | <input type="checkbox"/> Archive Inline Comments        |
| <input type="checkbox"/> Archive Inbox Send         | <input type="checkbox"/> Archive Inbox Reply            |
| <input type="checkbox"/> Archive Group Posts        | <input type="checkbox"/> Archive Group Discussion Posts |
| <input type="checkbox"/> Archive Chat               | <input type="checkbox"/> Block Photo Tagging            |
| <input type="checkbox"/> Status Moderation          | <input type="checkbox"/> Block Delete Status Updates    |
| <input type="checkbox"/> Block Hiding User Comments | <input type="checkbox"/> Block Profile Blurbs           |
| <input type="checkbox"/> Block Group Discussions    | <input type="checkbox"/> Block Create Ad                |
| <input type="checkbox"/> Block Liking Comments      | <input type="checkbox"/> Block Unliking Comments        |
| <input type="checkbox"/> Archive Create Ad          |   |

© 2010 Socialware Inc.

FIG. 9

**METHOD, SYSTEM AND COMPUTER  
PROGRAM PRODUCT FOR ENFORCING  
ACCESS CONTROLS TO FEATURES AND  
SUBFEATURES ON UNCONTROLLED WEB  
APPLICATION**

**CROSS-REFERENCE TO RELATED  
APPLICATION(S)**

[0001] This is a continuation of, and claims a benefit of priority from U.S. patent application Ser. No. 12/785,278, filed May 21, 2010, entitled "METHOD, SYSTEM AND COMPUTER PROGRAM PRODUCT FOR ENFORCING ACCESS CONTROLS TO FEATURES AND SUBFEATURES ON UNCONTROLLED WEB APPLICATION," which is a conversion of, and claims priority from U.S. Provisional Application No. 61/303,191, filed Feb. 10, 2010, entitled "METHOD, SYSTEM AND COMPUTER PROGRAM PRODUCT FOR ENFORCING ACCESS CONTROLS TO FEATURES AND SUBFEATURES ON UNCONTROLLED WEB APPLICATION." This application relates to U.S. patent application Ser. No. 12/562,032, filed Sep. 17, 2009, entitled "METHOD, SYSTEM, AND STORAGE MEDIUM FOR ADAPTIVE MONITORING AND FILTERING TRAFFIC TO AND FROM SOCIAL NETWORKING SITES," which claims priority from U.S. Provisional Application No. 61/097,698, filed Sep. 17, 2008. All applications listed in this paragraph are incorporated by reference herein as if set forth in full.

**COPYRIGHT STATEMENT**

[0002] A portion of the disclosure of this patent document contains material which is subject to copyright protection. The copyright owner has no objection to the facsimile reproduction by anyone of the patent document or the patent disclosure as it appears in the Patent and Trademark Office patent file or records, but otherwise reserves all copyright rights whatsoever.

**TECHNICAL FIELD**

[0003] This disclosure relates generally to Web applications, and more particularly, to a system, method, and computer program product comprising instructions translatable for enforcing access controls to features and subfeatures on uncontrolled Web applications.

**BACKGROUND**

[0004] Advances in communications technology often change how people communicate and share information. More recently, social networking sites are providing new ways for users to interact and keep others abreast of their personal and business dealings. The growth of social networking sites is staggering. New sites are emerging daily and new users are joining in droves. Today, social networking sites are being used regularly by millions of people around the globe, and it seems that social networking via websites will continue to be a part of everyday life at least in the United States.

[0005] The main types of social networking services provided by social networking sites are those which contain directories or categories, a means to connect with friends, and a means to recommend other individuals. For example, a social networking site may allow a user to identify an individual as a friend, a former classmate, or an uncle. The social

networking site may recommend to the user another individual as a potential friend and also provide a personalized web page for the user to interact with those that the user has identified as "friends" via the social networking site.

[0006] Some social networking sites provide functions in the form of Web applications for members to create user profiles, send messages to other members who are their "friends," and personalize Web pages available to friends and/or the general public. Through these Web applications, social networking sites can connect people at low cost and very high efficiency. Some entrepreneurs and businesses looking to expand their contact base have recognized these benefits and are utilizing some social networking sites as a customer relationship management tool for selling their products and services.

[0007] For businesses and entities alike looking to embrace social networking sites as an additional method to exchange information between employees, clients, vendors, etc., the integration of social networking sites into their internal computing environments necessarily raises several critical concerns. What activities will people be allowed to be engaged in? What information may be disclosed and to what extent? Who is the information being disclosed to? Is malicious or otherwise damaging material being accessed or allowed onto the business's computers? How can a business manage the activities of particular users or groups?

[0008] Currently, there are no viable solutions to these difficult questions as businesses do not have control over Web applications provided by independent entities, including social networking sites own and operated by such independent entities. Some businesses have the means to block traffic to and from social networking sites. Some businesses can only hope that their employees are only using these social networking sites in the best interest of the company. There is no guarantee that the employees may police their own access to and participation at social networking sites and there is always the concern of an employee knowingly or unknowingly posting confidential information on a social networking site. Because of these risks, many businesses simply choose to deny their employees access to uncontrolled Web applications and forgo the efficiencies and cooperative gains that may come from embracing social networking sites.

**SUMMARY**

[0009] Traditionally, to the extent that a business or entity allows users within its computing environment access to the Internet, it has no ways of controlling which users can use what features on a Web application that is not provided by the business or entity. This type of Web applications is referred to herein as uncontrolled Web applications as they are not controlled by the business or entity that operates the computing environment from where user requests for access are generated.

[0010] Uncontrolled Web applications may come in various forms. One example of an uncontrolled Web Application may be an application running on a social networking site such as Facebook. As a specific example, suppose a Wall Post application running on Facebook may allow a Facebook user to post a text message or friends of the user to post text messages for the user. Further suppose that this Facebook user is also an employee of a business or entity called Entity. To prevent this employee from posting and receiving text messages using the Wall application of Facebook while the employee is in Entity's computing environment, Entity may



block network traffic to and from Facebook for the entire computing environment or Entity may block that particular user's access to Facebook. In either scenario—site-level access control based on source or site-level access control based on user, the employee would have no access to the entire social networking site, even if only a certain feature of the Wall Post application was of interest to Entity.

**[0011]** Within this disclosure, features/subfeatures refer to components/subcomponents of an uncontrolled application. Embodiments disclosed herein provide a system, method, and computer program programming comprising one or more readable storage media storing computer instructions for enforcing access controls to features, including subfeatures, on uncontrolled Web Applications associated with social networking sites. In some embodiments, the feature-level access control functionality disclosed herein can be implemented as a middleware within or outside an enterprise computing environment. Following the above example, some embodiments disclosed herein may operate to programmatically inspect a Web page associated with a social networking site that operates beyond Entity's control and remove certain features and/or subfeatures while preserving the rest of the page. More specifically, the feature-level access control functionality disclosed herein would allow Entity to restrict posting text messages on the employee's Facebook Wall while preserving other features of the Wall Post Application such as posting a photo or a link to the employee's Facebook Wall.

**[0012]** In some embodiments, pages of uncontrolled Web applications are identified as they are accessed by users of an enterprise computing environment. In some embodiments, specific features, including subfeatures, on these pages are located and access to these features is enabled or disabled according to settings predetermined on a per user basis. In some embodiments, an interface is provided to allow an administrator of the enterprise computing environment to manage access control to these features on a per user basis according to corporate policies and/or business rules. In some embodiments, if at least one feature on a page is to be disabled before the page is to be presented to an end user (e.g., a business user within an enterprise computing environment), a modified page is generated. This modified page would be substantially similar to the original page except that the particular feature of interest has been disabled. In some embodiments, to block a feature or features, specific content may be rewritten on-the-fly. The modified page is sent to the end user in response to the end user's request for the original page. The whole process can be transparent to the end user.

**[0013]** Because embodiments disclosed herein have the ability to inspect a Web page and understand what is on the page at a much finer granularity—even though the page is from an uncontrolled Web application, it is not necessary to block the entire site and it is not necessary to block the network address where the page resides. Embodiments disclosed herein may provide an enterprise with a sophisticated way to control access by its employees to social networking sites outside the enterprise's computing environment. For example, an enterprise may wish to disable a chat function offered by an uncontrolled Web application while permitting the rest of the features of the uncontrolled Web application to perform normally. In this way, it is possible for enterprises to gain benefits that may come from embracing social networking sites without risking the downsides of allowing enterprise users access to uncontrolled Web applications.

**[0014]** These, and other, aspects of the disclosure will be better appreciated and understood when considered in conjunction with the following description and the accompanying drawings. It should be understood, however, that the following description, while indicating various embodiments of the disclosure and numerous specific details thereof, is given by way of illustration and not of limitation. Many substitutions, modifications, additions and/or rearrangements may be made within the scope of the disclosure without departing from the spirit thereof, and the disclosure includes all such substitutions, modifications, additions and/or rearrangements.

#### DESCRIPTION OF THE DRAWINGS

**[0015]** The drawings accompanying and forming part of this specification are included to depict certain aspects of the disclosure. It should be noted that the features illustrated in the drawings are not necessarily drawn to scale. A more complete understanding of the disclosure and the advantages thereof may be acquired by referring to the following description, taken in conjunction with the accompanying drawings in which like reference numbers indicate like features and wherein:

**[0016]** FIG. 1 depicts a simplified diagrammatic representation of a prior art architecture for network access control to social networking sites;

**[0017]** FIG. 2 depicts a diagrammatic representation of an exemplary computer system comprising at least one computer readable storage medium storing computer instructions implementing an embodiment disclosed herein;

**[0018]** FIG. 3 depicts a diagrammatic representation of a high level network architecture for network access control to social networking sites, implementing an embodiment disclosed herein;

**[0019]** FIG. 4 depicts a flow diagram illustrating how a proxy server may function as a gateway or intermediary between an end user and a social networking site;

**[0020]** FIG. 5 depicts a flow diagram illustrating an example of a method of processing application data from an uncontrolled Web application according to one embodiment disclosed herein;

**[0021]** FIG. 6A depicts a simplified diagrammatic representation of a user's home page at a fictional social networking site;

**[0022]** FIG. 6B depicts a portion of source code corresponding to the user's home page shown in FIG. 6A;

**[0023]** FIG. 6C depicts a simplified diagrammatic representation of the user's home page modified to disable a particular feature of the social networking site;

**[0024]** FIG. 7 depicts a diagrammatic representation of one embodiment of a system for network access control to social networking sites;

**[0025]** FIG. 8 depicts a diagrammatic representation of a system architecture for network access control to social networking sites, implementing an embodiment disclosed herein; and

**[0026]** FIG. 9 is a screenshot of one example of a user interface through which an authorized user can perform various functions including specifying a role and social networking activities/actions allowed for this role.

## DETAILED DESCRIPTION

**[0027]** The disclosure and various features and advantageous details thereof are explained more fully with reference to the exemplary, and therefore non-limiting, embodiments illustrated in the accompanying drawings and detailed in the following description. Descriptions of known programming techniques, computer software, hardware, operating platforms and protocols may be omitted so as not to unnecessarily obscure the disclosure in detail. It should be understood, however, that the detailed description and the specific examples, while indicating the preferred embodiments, are given by way of illustration only and not by way of limitation. Various substitutions, modifications, additions and/or rearrangements within the spirit and/or scope of the underlying inventive concept will become apparent to those skilled in the art from this disclosure.

**[0028]** Software implementing embodiments disclosed herein may be implemented in suitable computer-executable instructions that may reside on one or more computer-readable storage media. Within this disclosure, the term “computer-readable storage media” encompasses all types of data storage media that can be read by a processor. Examples of computer-readable storage media can include random access memories, read-only memories, hard drives, data cartridges, magnetic tapes, floppy diskettes, flash memory drives, optical data storage devices, compact-disc read-only memories, and other appropriate computer memories and data storage devices.

**[0029]** As used herein, the terms “comprises,” “comprising,” “includes,” “including,” “has,” “having,” or any other variation thereof, are intended to cover a non-exclusive inclusion. For example, a process, product, article, or apparatus that comprises a list of elements is not necessarily limited only those elements but may include other elements not expressly listed or inherent to such process, process, article, or apparatus. Further, unless expressly stated to the contrary, “or” refers to an inclusive or and not to an exclusive or. For example, a condition A or B is satisfied by any one of the following: A is true (or present) and B is false (or not present), A is false (or not present) and B is true (or present), and both A and B are true (or present).

**[0030]** Additionally, any examples or illustrations given herein are not to be regarded in any way as restrictions on, limits to, or express definitions of, any term or terms with which they are utilized. Instead these examples or illustrations are to be regarded as being described with respect to one particular embodiment and as illustrative only. Those of ordinary skill in the art will appreciate that any term or terms with which these examples or illustrations are utilized encompass other embodiments as well as implementations and adaptations thereof which may or may not be given therewith or elsewhere in the specification and all such embodiments are intended to be included within the scope of that term or terms. Language designating such non-limiting examples and illustrations includes, but is not limited to: “for example,” “for instance,” “e.g.,” “in one embodiment,” and the like.

**[0031]** Those skilled in the arts will recognize that the disclosed embodiments have relevance to a wide variety of areas in addition to the specific examples described below. For example, although the examples below are described in the context of employers and employees, some embodiments disclosed herein can be adapted or otherwise implemented to work in other types of relationships, circumstances, and places such as public libraries, parent-child, school-student,

or any other place or relationship where it is desirable to monitor and protect network traffic to and from social networking sites.

**[0032]** FIG. 1 depicts a simplified diagrammatic example of how traditionally an entity or organization may monitor and protect network traffic to and from social networking sites. In this example, Company A may own and operate company network 140. Examples of company network 140 may include a local area network (LAN), an intranet—a private computer network within the organization, etc. User 130 of company network 140 may access Internet 110 via proxy 150. Social networking sites 120 may be generally accessible by users connected to Internet 110. As an example, social networks 120 may include, but are not limited to, Facebook®, LinkedIn®, Twitter®, MySpace®, Friendster®, Multiply®, Orkut®, Cyworld®, Hi5®, and others. All trademarks, service marks, and logos used herein are properties of their respective companies.

**[0033]** In some cases, proxy 150 of company network 140 may monitor and block all network traffic to and from one or more social networking sites 120 by way of a firewall implemented on proxy 150. As known to those skilled in the art, a firewall may be implemented as a part of a computer system or network that is designed to block unauthorized access while permitting authorized communications. A firewall may be implemented as a device or a set of devices configured to permit, deny, encrypt, decrypt, or proxy all incoming and outgoing network traffic between different domains based upon a set of rules and other criteria. Firewalls may be implemented in hardware, software, or a combination of both. Firewalls are frequently used to prevent unauthorized Internet users from accessing private networks connected to the Internet, especially intranets. Generally, all messages entering or leaving the intranet pass through the firewall, which examines each message and blocks those that do not meet the specified security criteria.

**[0034]** Proxy 150 represents a server computer that acts as an intermediary for requests from user 130 seeking resources from other servers, including those that reside outside of network 140. Those skilled in the art can appreciate that user 130 is a representation of a typical user in company network 140 and may include software and hardware utilized by the user to access company network 140 and Internet 110.

**[0035]** FIG. 2 depicts an exemplary system within a computing environment where embodiments disclosed herein may be implemented. Components 202 of computing system 200 may include, but are not limited to, processing unit 204, system memory 206, and system bus 208. System bus 208 may couple various system components including system memory 206 to processing unit 204. System bus 208 may comprise any of several types of bus structures including a memory bus or memory controller, a peripheral bus, and a local bus using any of a variety of bus architectures.

**[0036]** Computing system 200 may include a variety of computer readable storage media. Computer readable storage media can be any available storage media that can be accessed by computing system 200. By way of example, and not of limitation, computer readable storage media may comprise volatile and nonvolatile storage media and removable and non-removable storage media. Computer readable storage media storing computer instructions implementing embodiments disclosed herein may be manufactured by known methods and materials and may rely on known programming languages and techniques for storage of information thereon.

Examples of computer readable storage media may include, but are not limited to, random access memory (RAM), read only memory (ROM), EEPROM, flash memory or other memory technology, CD-ROM, digital versatile disks (DVD) or other optical disk storage, magnetic cassettes, magnetic tape, magnetic disk storage or other magnetic storage devices, or any other medium which can be used to store the desired information and which can be accessed by computing system 200.

[0037] In the example shown in FIG. 2, system memory 206 includes ROM 210 and RAM 212. ROM 210 may store basic input/output system 214 (BIOS), containing the basic routines that help to transfer information between elements within computing system 200, such as those used during start-up. RAM 212 may store data and/or program modules that are immediately accessible to and/or presently being operated on by processing unit 204. By way of example, and not of limitation, FIG. 2 shows RAM 212 storing operating system 216, application programs 218, other program modules 220, and program data 222.

[0038] Computing system 200 may also include other removable/non-removable, volatile/nonvolatile computer readable storage media that can be employed to store computer instructions implementing some embodiments disclosed herein. By way of example only, computing system 200 may include hard disk drive 224, a magnetic disk drive 226, and/or optical disk drive 230. Hard drive (HD) 224 may read from and write to non-removable, nonvolatile magnetic media. Disk drive 226 may read from and write to removable, nonvolatile magnetic disk 228. Optical disk drive 230 may read from and write to a removable, nonvolatile optical disk 232 such as a CD ROM or other optical medium. Other removable/non-removable, volatile/nonvolatile computer readable storage media are also possible. As illustrated in FIG. 2, hard drive 224 may be connected to system bus 208 via a non-removable memory interface, such as interface 234, and magnetic disk drive 226 and optical disk drive 230 may be connected to system bus 208 via a removable memory interface, such as interface 238.

[0039] The drives and their associated computer readable storage media, discussed above, may provide storage of computer readable instructions, data structures, program modules and other data for computing system 200. For example, hard disk drive 224 may store operating system 268, application programs 270, other program modules 272 and program data 274. Note that these components can either be the same as or different from operating system 216, application programs 218, other program modules 220, and program data 222.

[0040] A user may enter commands and information into computing system 200 via input devices such as tablet or electronic digitizer 240, microphone 242, keyboard 244, and pointing device 246. Pointing device 246 may comprise a mouse, a trackball, and/or a touch pad. These and other input devices may be connected to processing unit 204 via user input interface 248. User input interface 248 may be coupled to system bus 208 or via other interface and bus structures, such as a parallel port, a game port, or a universal serial bus (USB).

[0041] Monitor or other type of display device 250 may be connected to system bus 208 via an interface, such as a video interface 252. Monitor 250 may also be integrated with a touch-screen panel or the like. Note that the monitor and/or touch screen panel can be physically coupled to a housing in which computing system 200 is incorporated, such as in a

tablet-type personal computer. Computing system 200 may comprise additional peripheral output devices such as speakers 256 and printer 254, which may be connected via an output peripheral interface 258 or the like.

[0042] Computing system 200 may operate in a networked environment and may have logical connections to one or more remote computers, such as remote computing system 260. Remote computing system 260 may be a personal computer, a server, a router, a network PC, a peer device or other common network node. Although only a memory storage device 262 is shown in FIG. 2, remote computing system 260 may include many or all of the components and features described above with reference to computing system 200.

[0043] Logical connections between computing system 200 and remote computing system 260 may include local area network (LAN) 264, connecting through network interface 276, and wide area network (WAN) 266, connecting via modem 278. Additional networks may also be included.

[0044] Embodiments disclosed herein can be implemented to run on various platforms operating under system software such as IBM OS/2®, Linux®, UNIX®, Microsoft Windows®, Apple Mac OSX® and others in development or commercially available. The functionality disclosed herein may be embodied directly in hardware, in a software module executed by a processor or in any combination of the two. Furthermore, software operations may be executed, in part or wholly, by one or more servers or a client's system, via hardware, software module or any combination of the two. A software module (program or executable) may reside on one or more computer readable storage media described above. In FIG. 2, an exemplary storage medium is coupled to the processor such that the processor can read information from, and write information to, the storage medium. In the alternative, the storage medium may be integral to the processor. The processor and the storage medium may also reside in an application specific integrated circuit (ASIC). The bus may be an optical or conventional bus operating pursuant to various protocols that are known to those skilled in the art.

[0045] In an illustrative embodiment, computer instructions implementing some embodiments disclosed herein may comprise lines of compiled C++, Java, or other language code. Other architectures may be used. In the hardware configuration above, various software components may reside on any single computer or on any combination of separate computers. In some embodiments, some or all of the software components may reside on the same computer. In some embodiments, the functions of any of the systems and methods may be performed by a single computer. In some embodiments, different computers than are shown in FIG. 2 may perform those functions. Additionally, a computer program or its software components with such code may be embodied in more than one computer readable medium in more than one computer.

[0046] FIG. 3 depicts a diagrammatic representation of how an entity or organization implementing an embodiment disclosed herein may monitor and protect network traffic to and from social networking sites. In this example, Company B may own and operate social networking site 320 independent of Company A which owns and operates enterprise computing environment 340, also referred to herein as company network 340, internal network 340 or simply network 340. Company A may represent an entity. Examples of such an entity may include, but are not limited to, an enterprise, a business, a company, a school, a hospital, a library, a govern-

ment agency, an office, a home, and so on. End user 330 may represent any individual in a public or private office, government, home, or school setting and may include software and hardware necessary for accessing network 340 and Internet 110. End user 330 may utilize a computing device to bi-directionally connect to Internet 110 where social networking site 320 resides. Communications media that may facilitate such bi-directional connections may include an intranet, a virtual private network (“VPN”), and/or a wireless network, etc.

[0047] Company B may comprise hardware, software, infrastructure, and people necessary to operate and maintain social networking site 320. Social networking site 320 may be implemented in a manner known to those skilled in the art. As a specific example, a user may log in to social networking site 320 via a browser application or via a mobile application running on the user’s wired or wireless computing device. Examples of a wireless computing device may include, but are not limited to, a laptop computer, a personal digital assistant (PDA), a mobile phone, an Internet enabled mobile device, and so on.

[0048] In the example of FIG. 3, proxy 350 resides within network 340 and is bi-directionally coupled to end user 330 via a wired or wireless internal network connection. Proxy 350 may be communicatively coupled to social network 320 over Internet 110. In some embodiments, proxy 350 may function as a gateway or intermediary between end user 330 and social networking site 320. More specifically, proxy 350 may be responsible for receiving all incoming requests from and sending corresponding responses to end user 330. As illustrated in FIG. 4, in some embodiments of flow 400, proxy 350 may operate to receive a user request from user 330 (step 402), determine whether that request contains a destination pertaining to a social networking site (step 404), and either pass the request from user 330 that is destined to a social networking site to Socialware 310 for processing (step 408) or pass the request to the destination (step 406) if it is not destined to a social networking site.

[0049] As will be described further below, in some embodiments, Socialware 310 may operate to process a request from user 330 for a page from social networking site 320, obtain the requested page (the original application data) from social networking site 320, determine if any modification to the original application data would be necessary per Company A’s policy as applied to user 330, prepare corresponding page 360 that includes any necessary feature-level modifications 301 to the original application data provided by social networking site 320, and return modified page 360 to proxy 350 or user 330 as a response to the request from user 330. In some embodiments, other than certain feature(s) being disabled or unavailable to user 330, page 360 may be substantially the same as the original page requested from social networking site 320.

[0050] Within this disclosure, features/subfeatures of an uncontrolled application refer to components/subcomponents of the uncontrolled application. In some embodiments, a feature or subfeature of an uncontrolled application may be a function that allows a user to take a certain action via the uncontrolled application. Embodiments disclosed herein provide an ability to block or restrict that action. Non-limiting examples of features may include status update, wall post, messaging, chat, photo upload, commenting, and so on. Non-limiting examples of subfeatures may include functions involved when using a feature. For example, a “like” button

associated with the status update feature may be considered as a subfeature. Moreover, certain features/subfeatures may be common to two or more social networking sites. Status update may be one example feature that is common to many social networking sites.

[0051] In some embodiments, Socialware 310 may reside within network 340. In some embodiments, Socialware 310 may operate outside of network 340. In some embodiments, Socialware 310 may be implemented as a service to proxy 350 or network 340. In some embodiments, Socialware 310 may be implemented as part of proxy 350. Some embodiments may be implemented without proxy 350. For example, when user 330 sends, via a browser application running on a computing device of user 330, a request for a page from social networking site 320, the domain name server (DNS) may redirect the user request to Socialware 310. Socialware 310 may process the user request, obtain the requested application data from social networking site 320, structure the unstructured application data, prepare modified page 360 if necessary according to a set of predetermined access control rules, and return an appropriate response to user 330.

[0052] Referring to FIG. 5, flow 500 represents an example of how Socialware 310 may facilitate enforcement of access control to features, including subfeatures, provided by uncontrolled Web applications. At step 501, in some embodiments, unstructured application data originating from an uncontrolled Web application may be received at a computer implementing Socialware 310. In some embodiments, the unstructured application data originating from the uncontrolled Web application may be provided to Socialware 310 by social networking site 320. In some embodiments, the unstructured application data originating from the uncontrolled Web application may be forwarded to Socialware 310 through proxy 350.

[0053] Social networking sites may run on different platforms and utilize different programming languages, including AJAX, HTML, JSON, XML. Extensible markup language (XML), asynchronous JavaScript and XML (AJAX), Hypertext Markup Language (HTML), and JavaScript Object Notation (JSON) are known to those skilled in the art and thus are not further described herein. Thus, responses from social networking sites may contain application data in various formats/languages. One example of such application data originating from an uncontrolled Web application may be that of a user’s home page at a social networking site.

[0054] Specifically, a user may direct a browser application running on the user’s computing device to the social networking site, by putting the social networking site’s Universal Resource Locator (URL) address in the address bar of the browser application or pointing to a link to the social networking site. The social networking site may present a login screen to the user, asking the user to provide the user identification (ID) and password. After the user enters the required login information, the browser application may send a request containing the user ID and password to the social networking site. In response, the social networking site may return the user’s home page in the form of a dynamically assembled Web page document.

[0055] A dynamic Web page is a hypertext document rendered to a World Wide Web user, presenting content that has been customized for that user or content that continually updates as the page is displayed to the user. One example of such a home page may be “home.php?” with Hypertext Pre-

processor (PHP) code embedded into a source document in HTML. Other scripting language such as JavaScript may also be used.

**[0056]** FIG. 6A depicts a simplified diagrammatic representation of a user John Doe's home page **601** at a fictional social networking site "www.socialnetworksite.com". FIG. 6B depicts a portion of source code **611** corresponding to home page **601**. Scripting languages such as PHP and JavaScript are known to those skilled in the art and thus are not further described herein.

**[0057]** The source code corresponding to the hypertext document originating from social networking site **320** is considered by network **340** as unstructured. As mentioned above, responses from social networking sites may contain application data in various formats/languages. In addition to the inability to properly analyze application data originating from social networking sites, businesses and other entities alike typically do not have any control over social networking sites. Thus, it can be very difficult to understand the application data originating from social networking sites, find features or components of interest contained therein, and modify the same for access control purposes.

**[0058]** In some embodiments, the types of information that would be useful for controlling access to features or application components may first be defined on a source-by-source basis. Within this disclosure, a source refers to a social networking site or any external, third party network site identified by an entity that owns and operates network **340**. Within this disclosure, social networking site **320** exemplifies such an external, third party Web application. These external Web applications may run on different operating systems/platforms. Socialware **310** may have no control over these Web applications. Socialware **310** may also have no control over applications running within network **340**.

**[0059]** In some embodiments, the types of information that would be useful for controlling access to features or application components may include, but are not limited to, the following:

**[0060]** broadcasts;

**[0061]** actions;

**[0062]** profile; and

**[0063]** directed messages.

**[0064]** Within each feature type, there may be subtypes (subfeatures). For example, the subtypes of broadcasts may include wall posts, tweets, status updates, etc. The subtypes of actions may include adding a friend, making a recommendation, searching a friend, a word, a page, an event, and so on. The subtypes of profile may include name, location, hobbies, links, etc. The subtypes of directed messages may include private messages, group mail, Web based mail, etc. Each source or social networking site would have a distinct set of features or application components (including subfeatures or subcomponents), one or more of which may be of interest to Company A for the purpose of controlling accesses thereto by users of network **340**. In some embodiments, the definitions or specifications of source-specific features and subfeatures are maintained in a centralized location such as a library or a database that is accessible by Socialware **310**.

**[0065]** Referring back to FIG. 5, in some embodiments, Socialware **310** may operate to examine the unstructured application data originating from the uncontrolled Web application, identify each specific type of information contained in the application data, and log those pieces of information in an InfoTable (step **503**). In some embodiments, one or more

features or application components of interest may be identified in the InfoTable (step **505**). In some embodiments, Socialware **310** may operate to modify the unstructured application data originating from the uncontrolled Web application (step **507**) and return the modified application data (step **509**). FIG. 6C depicts a simplified diagrammatic representation of modified page **630**.

**[0066]** As it can be seen from FIGS. 6A and 6C, original page **601** and modified page **630** are substantially the same, except a particular feature of interest—wall post—has been disabled in modified page **630**. In this example, it is the type of the feature that is disabled, so not only John Doe cannot make a wall post to his wall or his friend's wall, but also his friends cannot post to his wall. Notice that the status update feature was not disabled, so original page **601** and modified page **630** both show the same status update indicating a previous post by John Doe about his friend Jane Doe's picture.

**[0067]** In some embodiments, steps **503-507** may be implemented utilizing filters. Within this disclosure, a filter comprises a piece of code that is designed to recognize a particular portion of an application-level dynamic protocol. Hypertext Transfer protocol (http) is an example of an application-level protocol. Unlike defined or otherwise standardized protocols such as those used in e-mail communications and instant messaging, dynamic protocols used by social networking sites may change over time, be undefined, and/or vary from site to site. Dynamic protocols are known to those skilled in the art and techniques for parsing network traffic in such protocols are also known to those skilled in the art.

**[0068]** In some embodiments, Socialware **310** may comprise various filters for parsing and access control. Below is an example of a filter for parsing an example HTML message from a social networking site known as Facebook.

**[0069]** Filter 1—Parse HTML Message

---

```
void parse(String payload) {
    HTMLDoc doc = HTMLDoc.parse( payload );
    HTMLElement element = doc.findByClass( "message" );
    String message = element.text();
    return message;
}
```

---

**[0070]** Socialware **310** may further comprise various filters for content control and for understanding how, when, and what application external to network **340** is changing, and/or what type of change is involved. It could be a functional change, a layout change, a message format change, etc. For example, some embodiments may implement one or more of the following non-limiting types of filters:

**[0071]** 1) Access control filters. These filters manipulate the code of a Web application to enable and disable access to certain features depending on who the accessing user is.

**[0072]** 2) Data archiving filters. These filters record information as it is transmitted across the wire. This may be information that is posted to social networks, or retrieved from social networks.

**[0073]** 3) Data security filters. These filters monitor information as it is published to social networks. If data is deemed private or sensitive (by a Data Leakage Protection system or otherwise), the user will be sent a notification that they are not allowed to post that information.

**[0074]** 4) Secure messaging filters. These filters trap information before it is able to post to a social network and store it internally. The message is replaced or otherwise substituted with a placeholder that is sent to the social network. If a user is sent the message with the placeholder, Socialware **310** will remove the placeholder and display the original message. In some embodiments, Socialware **310** is implemented as a middleware. In some embodiments, Socialware **310** is implemented in an appliance.

**[0075]** 5) Notification Filters. These filters notify the user of certain information. For example, a company watermark may be placed onto a social network, informing a user of the company usage policy.

**[0076]** Below are non-limiting examples of various types of Socialware filters written for the example social networking site Facebook.

**[0077]** 1) Access control filter, to disable Facebook chat:

```
void process(String page, User user) {
    HTMLDoc doc = HTMLDoc.parse( page );
    if (user.canAccessFacebookChat( ) == false) {
        doc.findById( "chat" ).delete( );
    }
}
```

**[0078]** 2) Data archiving filter, to record Facebook chat:

```
void process(String page, User user) {
    HTTPPost post = HTTPPost.parse( page );
    String fromUsername = post.getParam( "fromUser" );
    String toUsername = post.getParam( "toUser" );
    String message = post.getParam( "message" );
    DataStore.record( fromUser, toUser, message );
}
```

**[0079]** 3) Data security filter, to block credit card numbers from posting to Facebook walls:

```
void process(String page, User user) {
    HTTPPost post = HTTPPost.parse( page );
    String wallPost = post.getParam( "wall_post" );
    if ( ContainsCreditCardNumber( wallPost ) == true ) {
        ReturnErrorToUser( );
    } else {
        AllowMessageToPost( );
    }
}
```

**[0080]** 4) Secure messaging filter, to replace Facebook wall post messages with a placeholder:

```
// When posting a facebook wall post
void process( String page, User user ) {
    HTTPPost post = HTTPPost.parse( page );
    String message = post.getParam( "wall_post" );
    String placeholder = GetPlaceholder( message );
    post.setParam( "wall_post" );
    // update the page with the new placeholder instead of message
    page = post.toString( );
}
// When viewing a wall message
void process( String page, User user ) {
    String placeholder = GetPlaceholder( page );
    String message = GetMessage( placeholder );
```

-continued

```
// replace the placeholder with the original message
page.replace( placeholder, message );
}
```

**[0081]** 5) Notification Filters, add a watermark to Facebook

```
void process( String page, User user ) {
    HTMLDoc doc = HTMLDoc.parse( page );
    // Insert new HTML code for the watermark
    doc.addElement ( GenerateFacebookWatermark( ) );
    page = doc.toString( );
}
```

**[0082]** One skilled in the art will appreciate that other types of filters are also possible and that these filters would be source-specific and may vary from implementation to implementation.

**[0083]** FIG. 7 depicts a diagrammatic representation of one embodiment of system **700** for network access control to social networking sites. System **700** may comprise Socialware **310** and database **730**. Socialware **310** may comprise a plurality of source-specific filters **314** as described above. In some embodiments, proxy **350** and Socialware **310** may be part of middleware **710**. In some embodiments, middleware **710** may monitor traffic to and from user **330** in network **340**. Request **701** from user **330** may be received by proxy **350** and forwarded to Socialware **310** if request **701** is destined for a social networking site such as social networking site **320**. Response **702** from Socialware **310** may contain modified page **630** as described above with reference to FIGS. 5-6C. Socialware **310** may save the information from processing the application data originating from social networking site **320** in InfoTable **720** which is then stored in database **730**.

**[0084]** Referring to FIGS. 6A-C, as a specific example, filters **314** may comprise an access control filter for blocking wall posts by John Doe and to his wall on the social networking site "www.socialnetworksite.com". This source-specific access control filter may parse source code **611** to search for a portion of source code **611** pertaining to the "wall post" feature as follows:

```
<div id = "wall post">
    <input id = "content">
</div>
```

**[0085]** When such a feature is found, the access control filter may add or modify as follows:

```
<img src = "blocked">
    <input id = "content", enable = false>
```

**[0086]** As an even more specific example, suppose source code **611** contains the following piece of code:

```
<div class = "wall post">
    <h1>Hey, write something to my wall!</h1>
</div>
```

[0087] The access control filter recognizes “wall post” as a feature of interest as defined in the centralized library or database. If user 330 is not allowed to access the “wall post” feature, the access control filter may operate to disable it by deleting, replacing, or modifying the portion of source code 611 pertaining to the “wall post” feature and/or the content of the wall post. In the example of FIG. 6C, the original message is deleted and replaced with a message “NOTICE: Posting to this wall is currently disabled” by Socialware 310.

[0088] In some embodiments, the source-specific access control filters may be utilized in conjunction with other types of filters described above. Company A may have a set of policy rules pertaining to its users and third party social networking sites. Depending upon these policy rules, different sets of filters may be applied to different users with respect to different social networking sites to control access to different features and/or subfeatures on those social networking sites. For example, at run time, a chain of filters from filters 314 comprising Filter 1, Filter 2, Filter 3, and Filter 4 may be utilized by Socialware 310 to process request 701. Filter 1 may operate to parse a response from social networking site 320 in a similar manner as described above with respect to the example social networking site. Filter 2 may operate to structure and block the chat function or feature and its data as well as to record any chat data contained in the response from social networking site 320. Filter 3 may operate to structure and block the wall post feature or function of social networking site 320. Filter 4 may operate to place a control bar or function within the page. The results from these filters are then used to prepare modified page 630. In the example of FIG. 7, modified page 630 is then sent to proxy 350 in the form of response 702. Information associated with this particular operation, including what features to look for, how to get those features, and what formats to use, is placed in InfoTable 720 and stored in database 730.

[0089] Some embodiments of Socialware 310 and/or middleware 710 described above may be implemented on one or more machines own and operated by an entity independent of and external to network 340. In some embodiments, Socialware 310 and/or middleware 710 described above may be implemented in a distributed computing architecture, with some of the functions of Socialware 310 and/or middleware 710 described above being implemented in network 340 and some outside of network 340.

[0090] FIG. 8 depicts a diagrammatic representation of a distributed computing architecture for network access control to social networking sites, implementing an embodiment disclosed herein. Following the above example, Data Center 850 may be owned and operated by a company independent of Company A (and hence network 340) and Company B (and hence social network 304). For example, in one embodiment, Data Center 850 may be owned and operated by Company 800. Data Center 850 may comprise one or more machines, each having at least one computer readable storage medium. The at least one computer readable storage medium may store computer instructions implementing testing functionality 830. The at least one computer readable storage medium may also store Socialware filters 810.

[0091] In some embodiments, middleware 710 or Socialware 310 may be communicatively coupled to Data Center 850 over a public network such as Internet 110. In some embodiments, Socialware 310 may comprise Socialware fil-

ters 314. In some embodiments, Socialware filters 314 may be stored on one or more computer readable storage media within network 340.

[0092] In some embodiments, Socialware filters 314 that are used by Socialware 310 in network 340 may be continuously updated by Data Center 850, perhaps over a network such as Internet 110. Maintenance of Socialware filters 314 may comprise testing Socialware filters 810 utilizing testing functionality 830 at Data Center 850. Socialware filters 314 may comprise all or a portion of Socialware filters 810.

[0093] In some embodiments, testing functionality 830 may comprise a test driver written to cause a real-time test signal to be passed through a particular filter. If the filter does not produce the correct result, it is broken. When a filter is broken, Data Center 850 and/or an application thereof will be notified. A user at Data Center 850 reviews the filter, analyzes the signal, and determines what caused the filter to break down, and modify the filter accordingly. Socialware 310 is updated in real-time or near real-time with the updated filter. For additional details on adaptive monitoring and filtering traffic to and from social networking sites, readers are directed to U.S. patent application Ser. No. 12/562,032, filed Sep. 17, 2009, entitled “METHOD, SYSTEM, AND STORAGE MEDIUM FOR ADAPTIVE MONITORING AND FILTERING TRAFFIC TO AND FROM SOCIAL NETWORKING SITES.”

[0094] In some embodiments, some or all Socialware filters 314 may be defined by Company A and maintained/updated by Data Center 850. Company A may comprise rules on how to apply Socialware filters 314. These rules link transmissions to filters. For example, a rule may operate to examine the URL a user is accessing, and determine if that URL corresponds to a particular filter. If so, that filter will be placed on the transmission. Rules may be stored on a network server or a storage medium accessible by the server.

[0095] In some embodiments, middleware 710 may comprise at least one non-transitory computer readable storage medium storing Socialware filters 314 and software and/or hardware components for communicating with enterprise applications, social networking site applications, and Data Center 850. In some embodiments, middleware 710 may further comprise one or more processors for translating instructions stored on the computer readable storage medium. In some embodiments, those instructions may include providing a set of services to a server such as proxy 350 that handles all incoming and outgoing traffic for network 340. As shown in FIG. 8, in some embodiments, proxy server 350 may be part of middleware 710. In some embodiments, proxy server 350 may be connected to a plurality of users, including user 330, in network 340.

[0096] In some embodiments, Socialware 310 may use user/group defined roles and permissions to allow and restrict end user activity for social networks. In some embodiments, Socialware 310 may comprise a user interface having a plurality of functions through which an authorized user such as an administrator can specify organizational roles and each role’s access to specific social networking activities/features. FIG. 9 is a screenshot of one example of user interface 900 through which an authorized user can perform various functions including specifying a role and social networking activities/actions for one or more social networking sites that are allowed for this role.

[0097] In some cases, more than one user can be assigned to a role. For example, an administrator may define a group to

act in a particular role and assign individual users or workstations to the group. Since each role is associated with a set of social networking activities/actions, a user's access thereto can be effectively controlled or otherwise affected by his belonging to the group. As illustrated in FIG. 9, in some embodiments, control of access to social networking activities/features can be applied in this manner across multiple social networking sites.

**[0098]** In some embodiments, users and/or workstations may be added or removed from an existing group. Furthermore, allowed and/or restricted activities/actions can be modified for existing groups. In some embodiments, Socialware 310 may store administrative settings in database 720. Examples of administrative settings may include information on a role and allowed/restricted social networking activities/actions associated therewith.

**[0099]** In some embodiments, when end user 330 attempts to access social networking site 320, middleware 710 and/or proxy 350 may intercept the traffic from end user 330 and requests Socialware 310 to verify that end user 330 is authorized to access social networking site 320. In some embodiments, when a HTTP post or request is received, Socialware 310 may identify what user/workstation initiated the post or request and identify the permitted/restricted actions or activities. Utilizing filters 314, Socialware 310 may identify the specific activity contained in the post or request. If the activity is allowed, Socialware 310 may permit the activity to take place by not blocking the activity; however, if the activity is not allowed, then Socialware 310 may operate to block the activity by modifying the original application data to delete or otherwise disable the non-permitted activity. In some embodiments, the initiating user/workstation may be shown a message explaining that the activity has been blocked because the user/workstation does not have the proper permissions to execute the desired action. In some embodiments, Socialware 310 may first identify the feature or function enabling the specific activity contained in the post or request. In some embodiments, Socialware 310 may first identify the user/workstation who initiated the post or request.

**[0100]** Although shown and described throughout this disclosure with specific reference to an enterprise, this disclosure is intended to encompass other networking and business environments including, but not limited to: small businesses, individual users, homes, public networks, etc. It should be understood that the description is by way of example only and is not to be construed in a limiting sense. It is to be further understood, therefore, that numerous changes in the details of the embodiments disclosed herein and additional embodiments will be apparent to, and may be made by, persons of ordinary skill in the art having reference to this description. For example, in addition to the above described embodiments, those skilled in the art will appreciate that this disclosure has application in a wide array of arts in addition to social networking and this disclosure is intended to include the same. Accordingly, the scope of the present disclosure should be determined by the following claims and their legal equivalents.

What is claimed is:

1. A method, comprising:

responsive to a request for content of a networking site from a client device associated with a user in a computing environment, a computer examining unstructured application data of the networking site originated outside of the computing environment;

the computer identifying types of information in the unstructured application data corresponding to features of the networking site;

the computer determining if any feature of the networking site is to be controlled for the user in the computing environment; and

when a feature of the networking site is to be controlled for the user in the computing environment, the computer generating modified application data that corresponds to the feature of the networking site according to rules specific to the networking site and sending the modified application data to the client device in place of the unstructured application data.

2. The method according to claim 1, wherein the computer comprises a proxy server configured for monitoring network traffic to and from the networking site outside of the computing environment.

3. The method according to claim 1, wherein the unstructured application data comprises dynamically assembled content customized by the networking site for the user.

4. The method according to claim 1, wherein the types of information in the unstructured application data comprise at least one of broadcasts, actions, profile, or directed messages.

5. The method according to claim 1, wherein at least a first type of the types of information in the unstructured application data comprises at least one subtype.

6. The method according to claim 1, further comprising parsing the unstructured application data utilizing a plurality of filters, each filter of the plurality of filters comprising a piece of code configured for recognizing a particular portion of an application-level dynamic protocol.

7. The method according to claim 6, wherein the plurality of filters comprises at least one of an access control filter, a data archiving filter, a data security filter, a secure messaging filter, or a notification filter.

8. The method according to claim 6, wherein the modified application data is generated utilizing results from the plurality of filters.

9. A computer program product comprising at least one non-transitory computer readable medium storing instructions translatable by at least one processor to perform:

responsive to a request for content of a networking site from a client device associated with a user in a computing environment, examining unstructured application data of the networking site originated outside of the computing environment;

identifying types of information in the unstructured application data corresponding to features of the networking site;

determining if any feature of the networking site is to be controlled for the user in the computing environment; and

when a feature of the networking site is to be controlled for the user in the computing environment, generating modified application data that corresponds to the feature of the networking site according to rules specific to the networking site and sending the modified application data to the client device in place of the unstructured application data.

10. The computer program product of claim 9, wherein the unstructured application data comprises dynamically assembled content customized by the networking site for the user.



**11.** The computer program product of claim **9**, wherein the types of information in the unstructured application data comprise at least one of broadcasts, actions, profile, or directed messages.

**12.** The computer program product of claim **9**, wherein at least a first type of the types of information in the unstructured application data comprises at least one subtype.

**13.** The computer program product of claim **9**, wherein the instructions are further translatable by the at least one processor to perform:

parsing the unstructured application data utilizing a plurality of filters, each filter of the plurality of filters comprising a piece of code configured for recognizing a particular portion of an application-level dynamic protocol.

**14.** The computer program product of claim **13**, wherein the plurality of filters comprises at least one of an access control filter, a data archiving filter, a data security filter, a secure messaging filter, or a notification filter.

**15.** An apparatus, comprising:

at least one processor;

at least one non-transitory computer readable medium; and stored instructions translatable by the at least one processor to perform:

responsive to a request for content of a networking site from a client device associated with a user in a computing environment, examining unstructured application data of the networking site originated outside of the computing environment;

identifying types of information in the unstructured application data corresponding to features of the networking site;

determining if any feature of the networking site is to be controlled for the user in the computing environment; and

when a feature of the networking site is to be controlled for the user in the computing environment, generating modified application data that corresponds to the feature of the networking site according to rules specific to the networking site and sending the modified application data to the client device in place of the unstructured application data.

**16.** The apparatus of claim **15**, wherein the unstructured application data comprises dynamically assembled content customized by the networking site for the user.

**17.** The apparatus of claim **15**, wherein the types of information in the unstructured application data comprise at least one of broadcasts, actions, profile, or directed messages.

**18.** The apparatus of claim **15**, wherein at least a first type of the types of information in the unstructured application data comprises at least one subtype.

**19.** The apparatus of claim **15**, wherein the stored instructions are further translatable by the at least one processor to perform:

parsing the unstructured application data utilizing a plurality of filters, each filter of the plurality of filters comprising a piece of code configured for recognizing a particular portion of an application-level dynamic protocol.

**20.** The apparatus of claim **19**, wherein the plurality of filters comprises at least one of an access control filter, a data archiving filter, a data security filter, a secure messaging filter, or a notification filter.

\* \* \* \* \*