



US 20180106576A1

(19) **United States**

(12) **Patent Application Publication**
Tedder et al.

(10) **Pub. No.: US 2018/0106576 A1**

(43) **Pub. Date: Apr. 19, 2018**

(54) **HOLSTER LOCK**

Publication Classification

(71) Applicant: **Tedder Industries, LLC**, Post Falls, ID (US)

(51) **Int. Cl.**
F41C 33/02 (2006.01)

(72) Inventors: **Thomas Tedder**, Post Falls, ID (US);
Jacob Shearer, Post Falls, ID (US);
Taylor Vold, Valleyford, WA (US)

(52) **U.S. Cl.**
CPC **F41C 33/0263** (2013.01)

(73) Assignee: **Tedder Industries, LLC**, Post Falls, ID (US)

(57) **ABSTRACT**

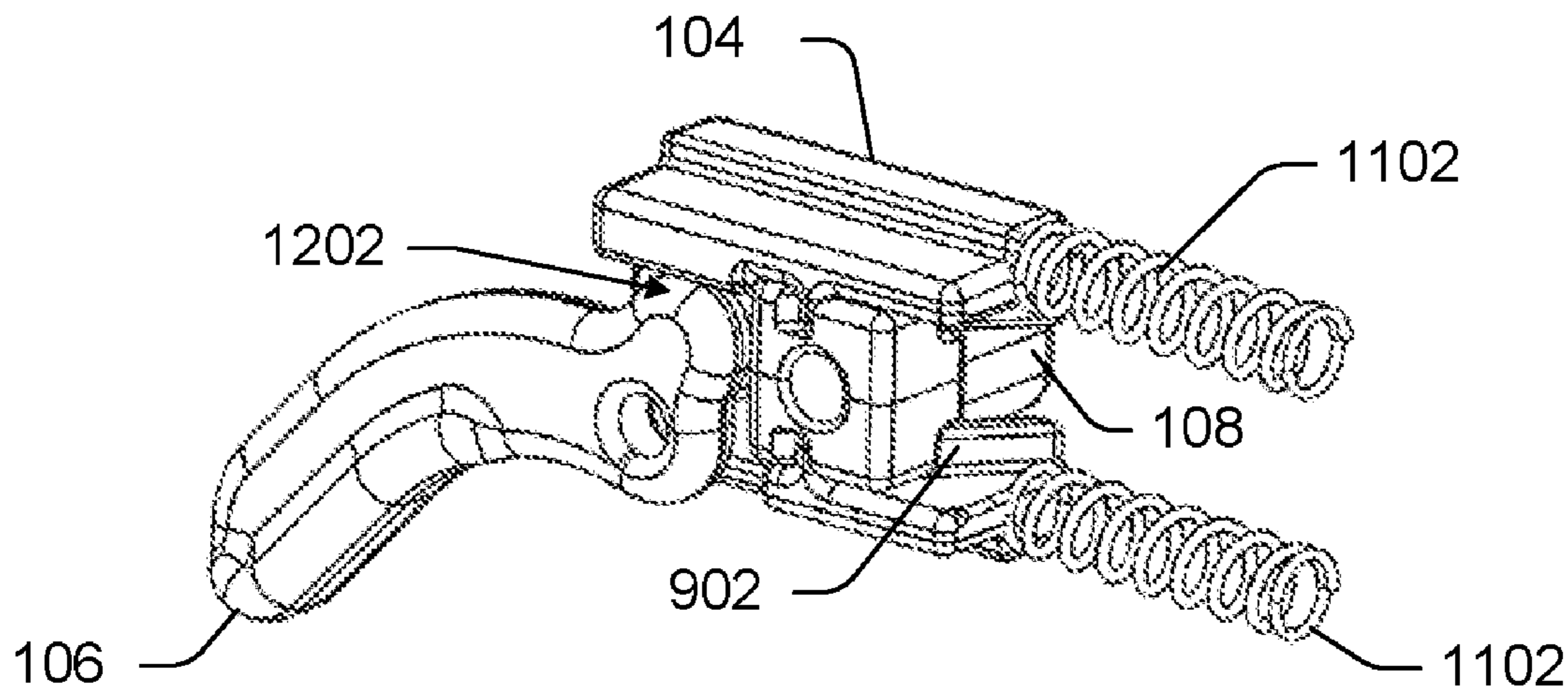
(21) Appl. No.: **15/685,505**

Representative implementations of devices and techniques provide a holster lock assembly, which may be used with a carrier or a holster for an implement in a variety of configurations. The holster lock is arranged to be attached to the holster for temporarily and safely locking the implement within the holster, while making the implement easily accessible to the user. The holster lock includes an actuator arm and a locking post. The locking post is arranged to capture a portion of the implement or release the portion of the implement, based on a position of the actuator arm.

(22) Filed: **Aug. 24, 2017**

Related U.S. Application Data

(60) Provisional application No. 62/407,675, filed on Oct. 13, 2016.



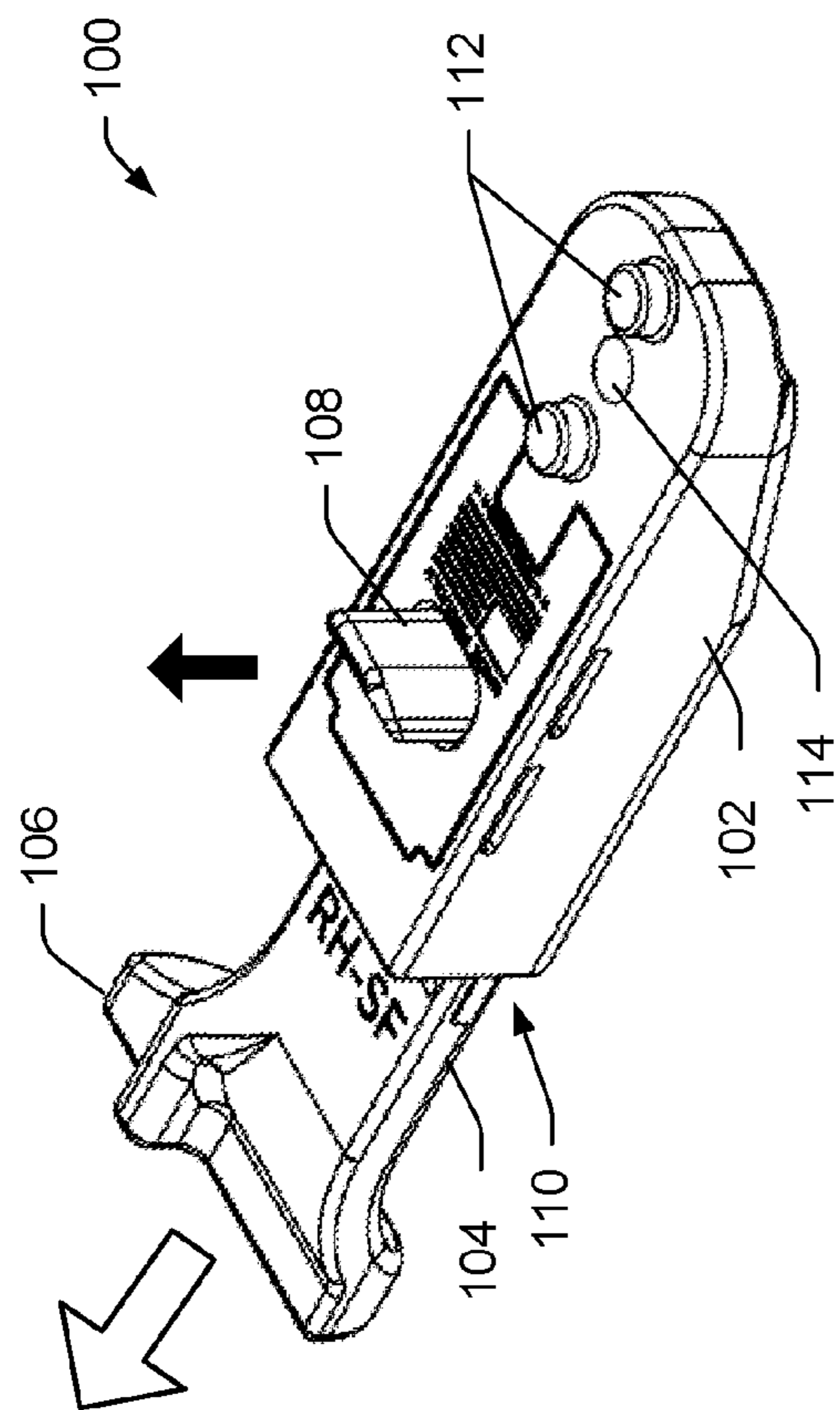


FIG. 1A

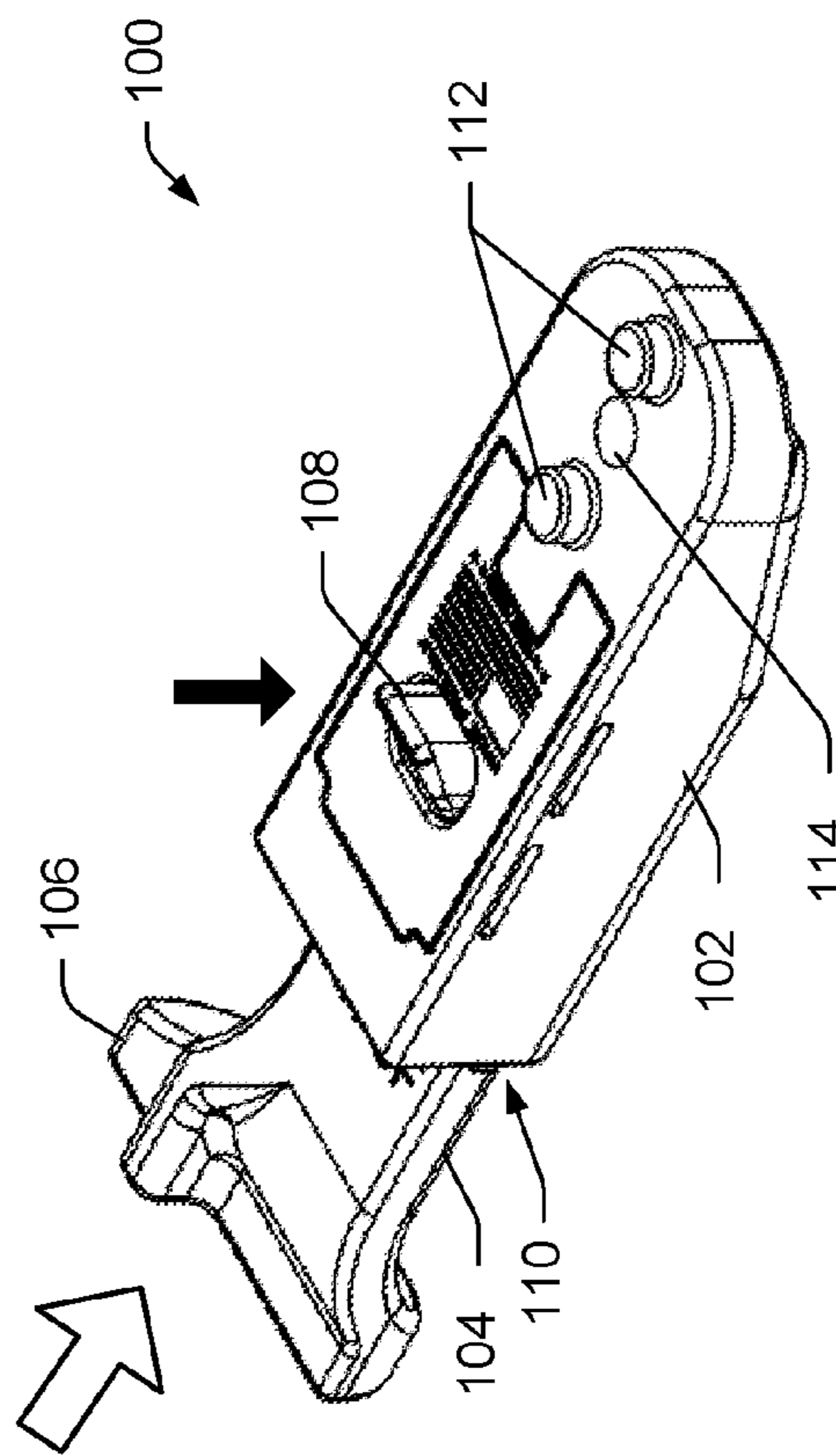


FIG. 1B

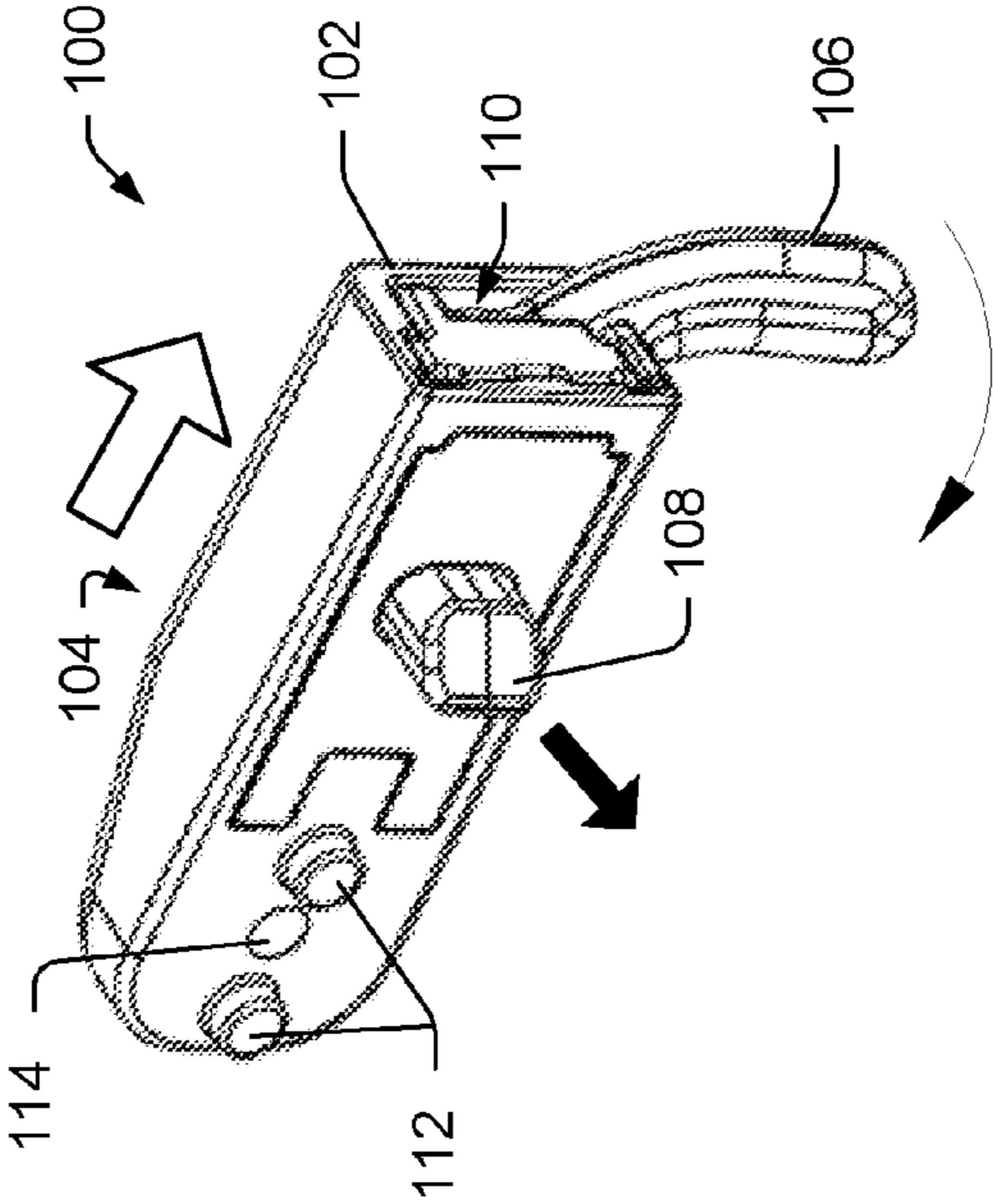


FIG. 2A

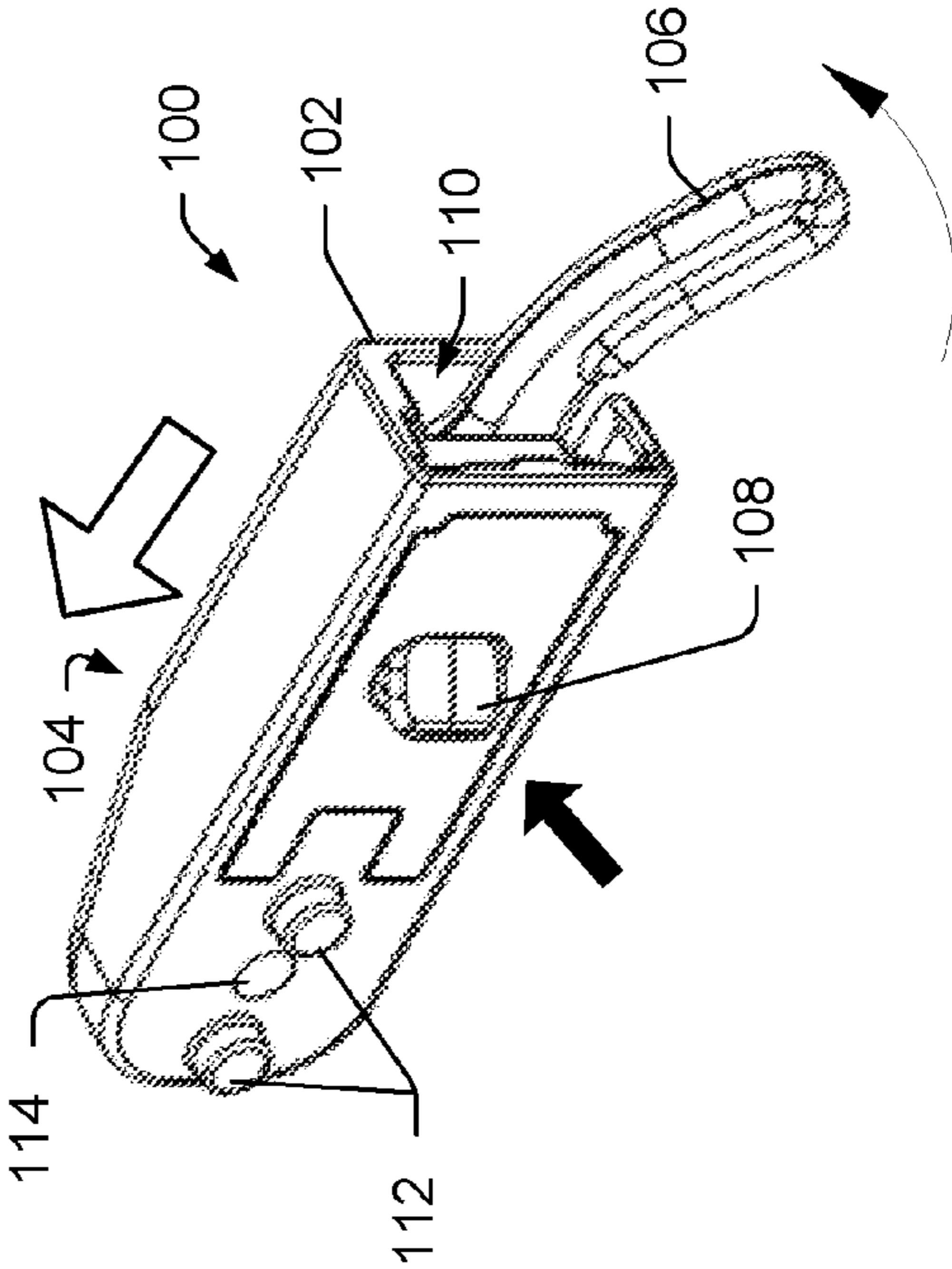


FIG. 2B

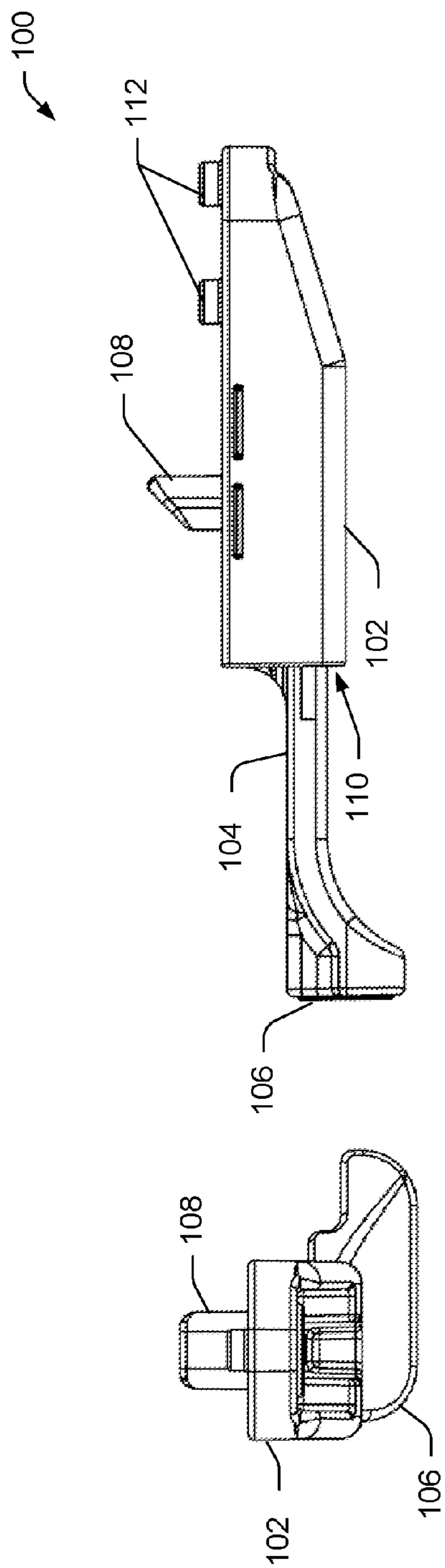


FIG. 3A

FIG. 3B

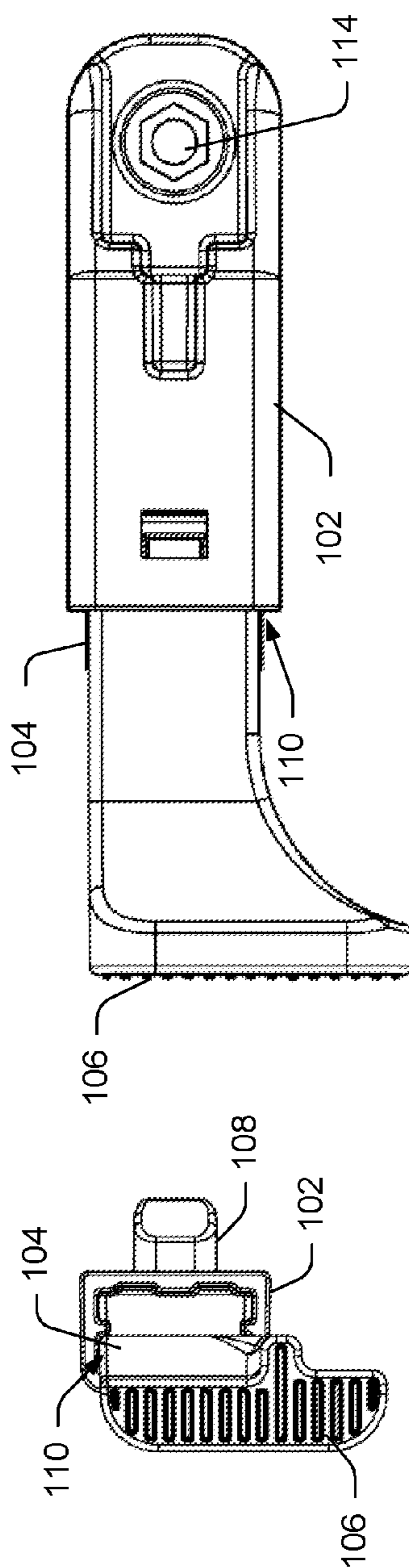


FIG. 3C

FIG. 3D

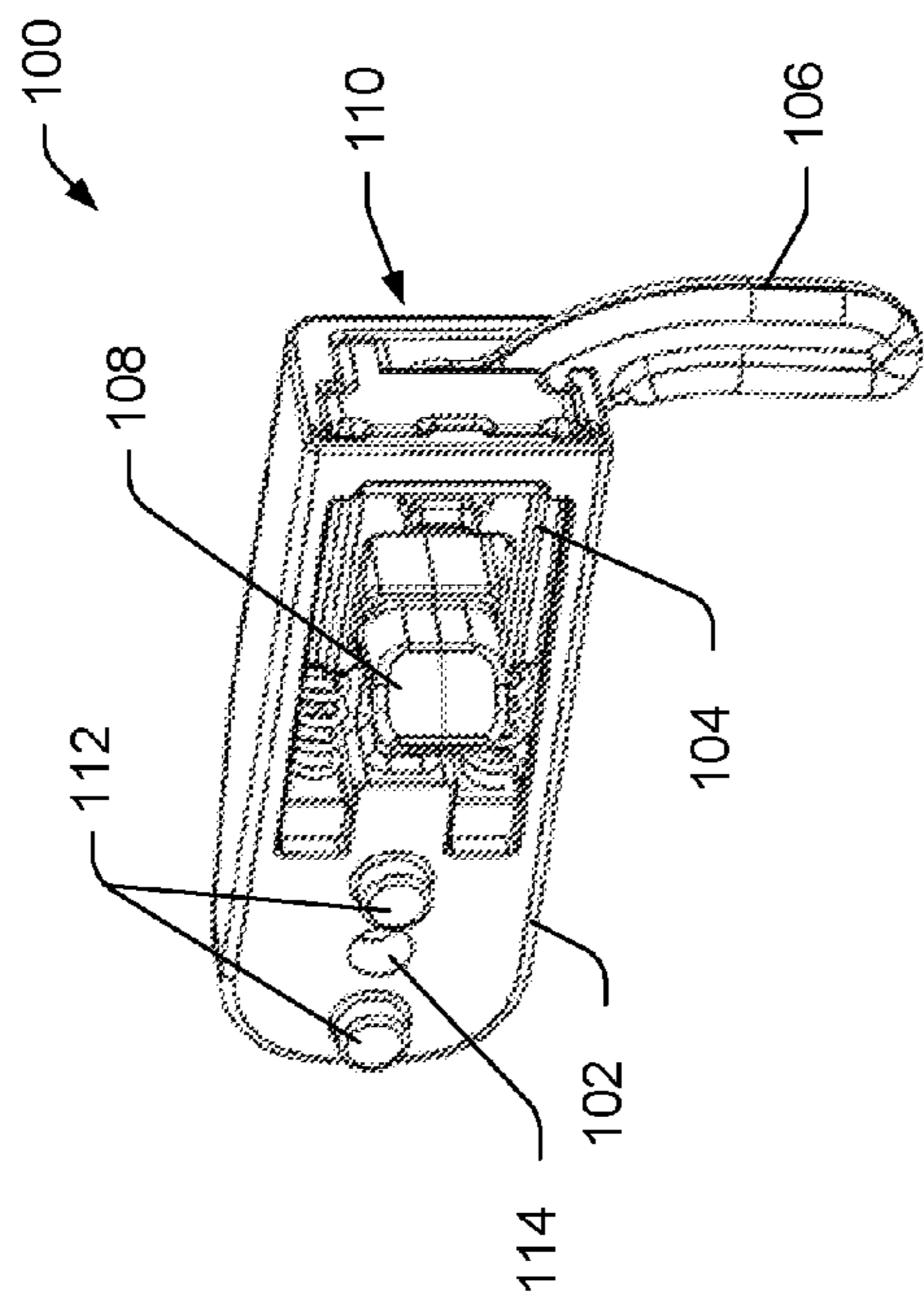


FIG. 4B

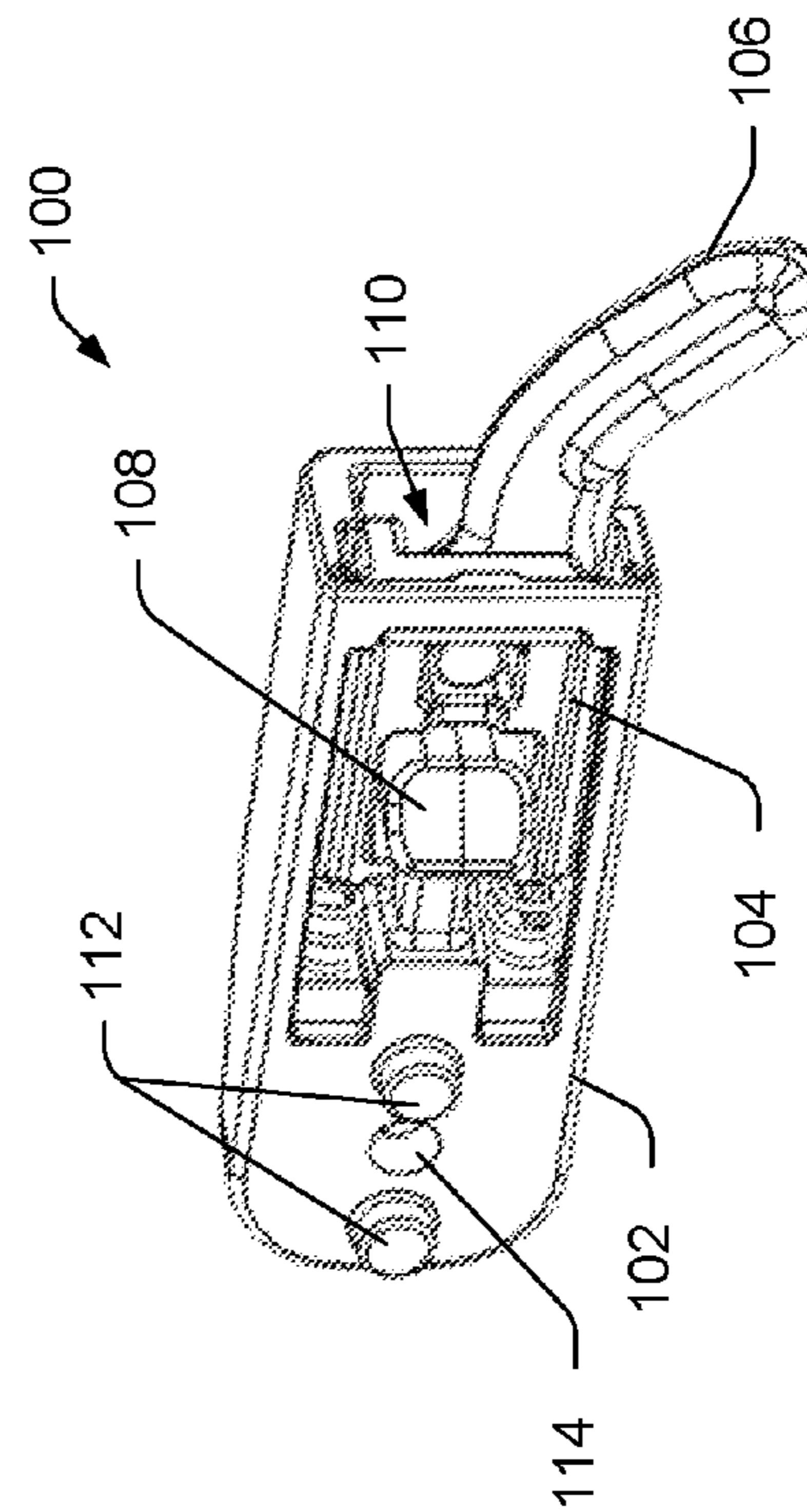


FIG. 4C

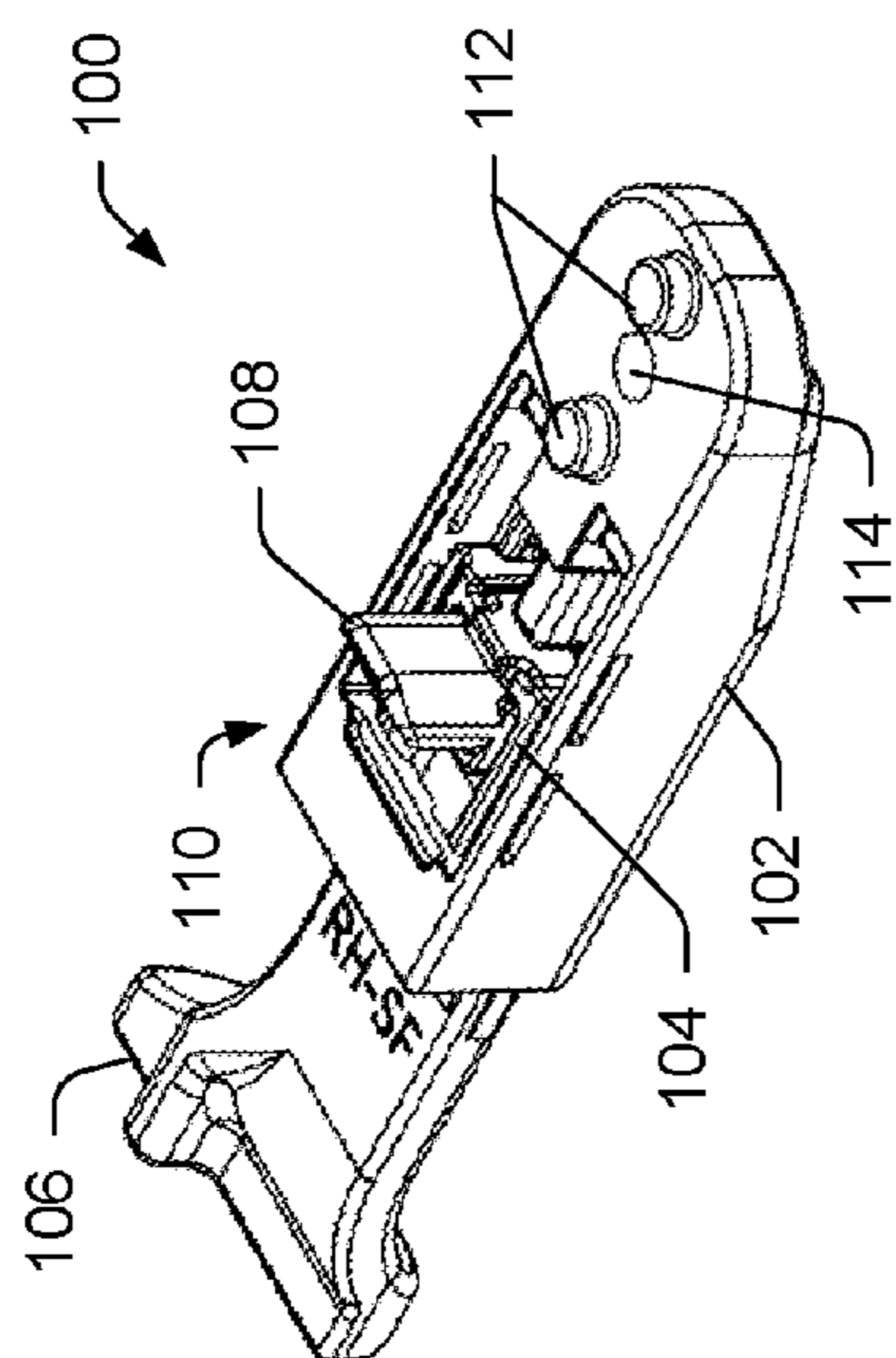


FIG. 4A

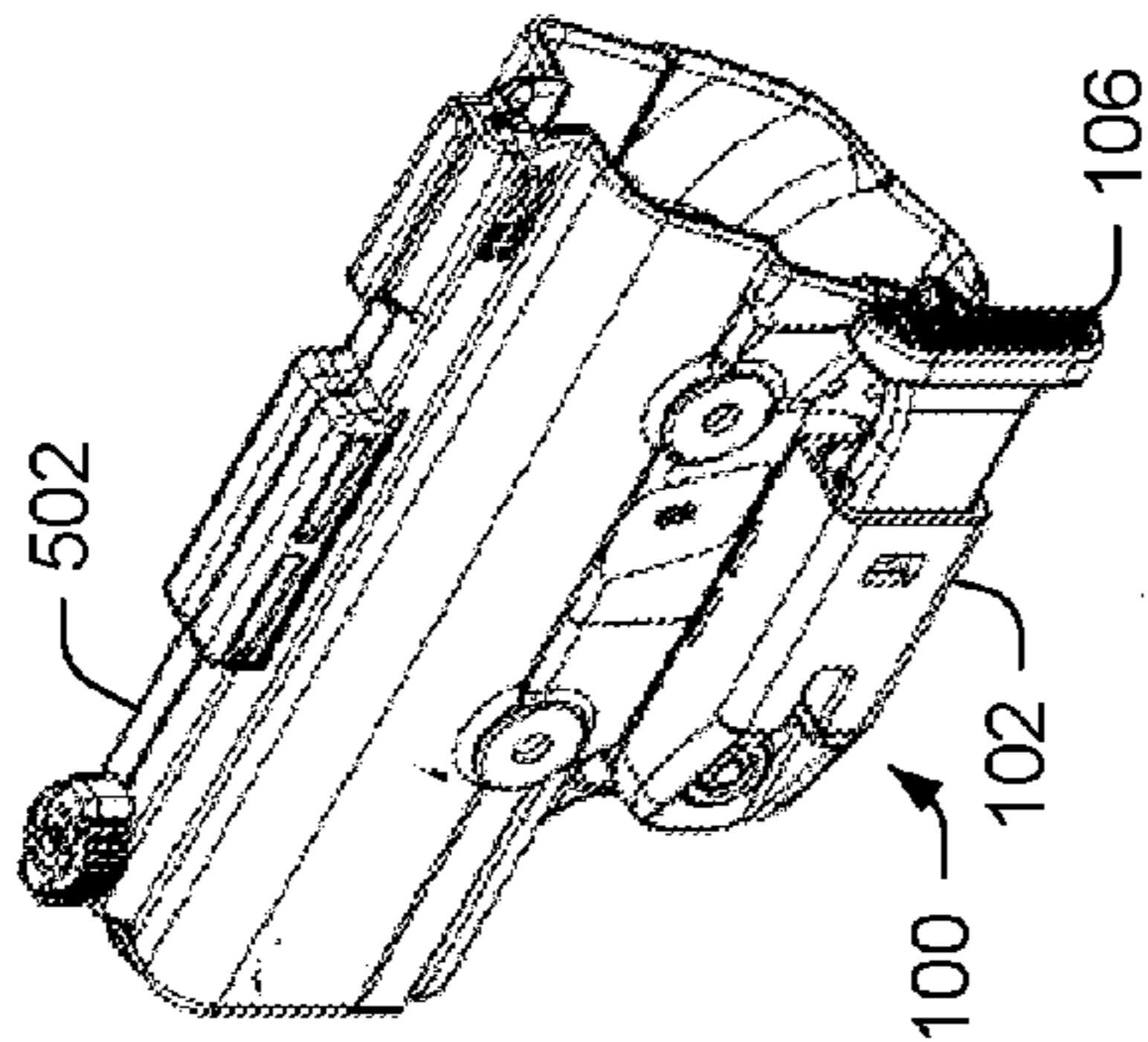


FIG. 5A

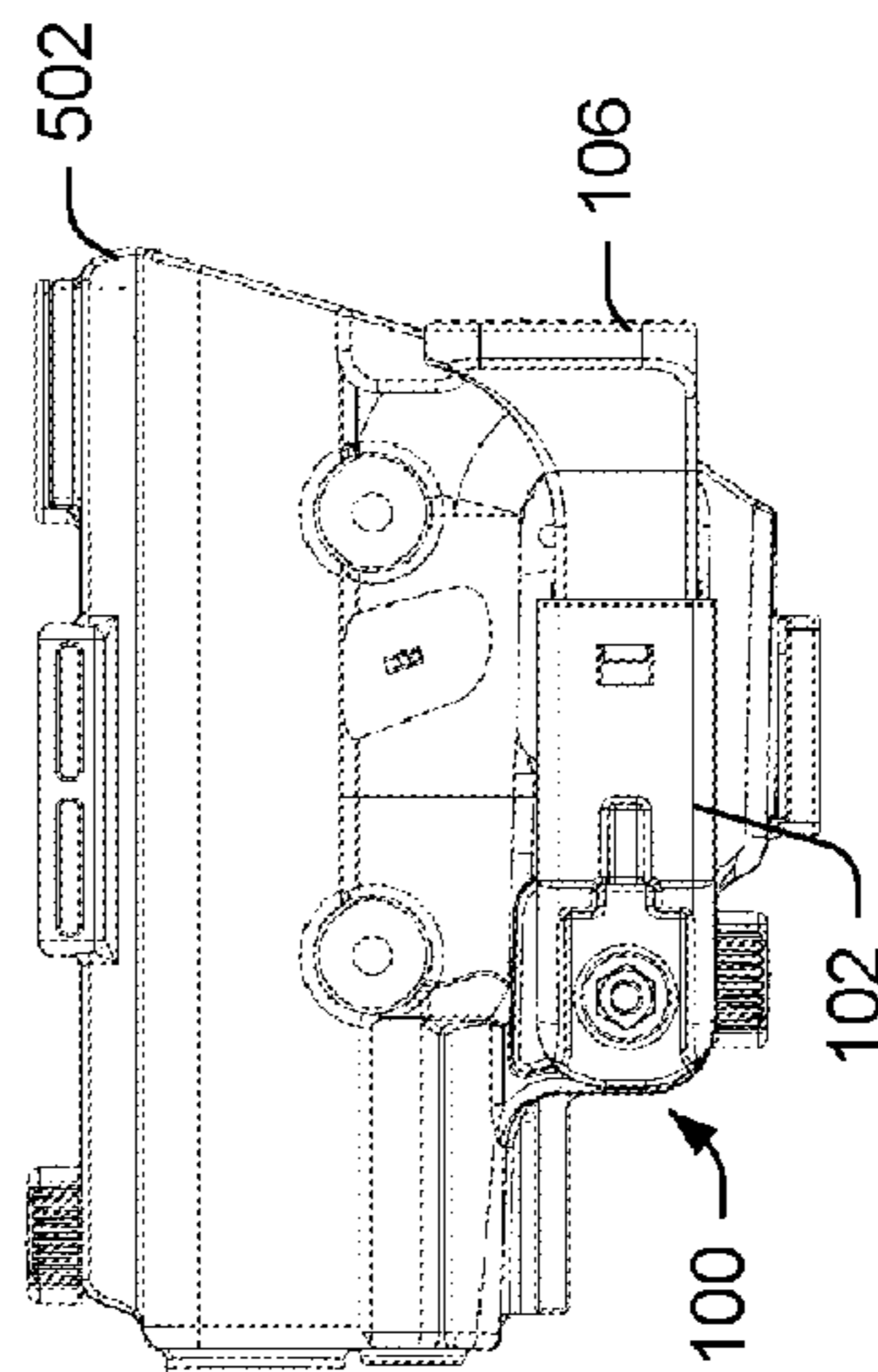


FIG. 5B

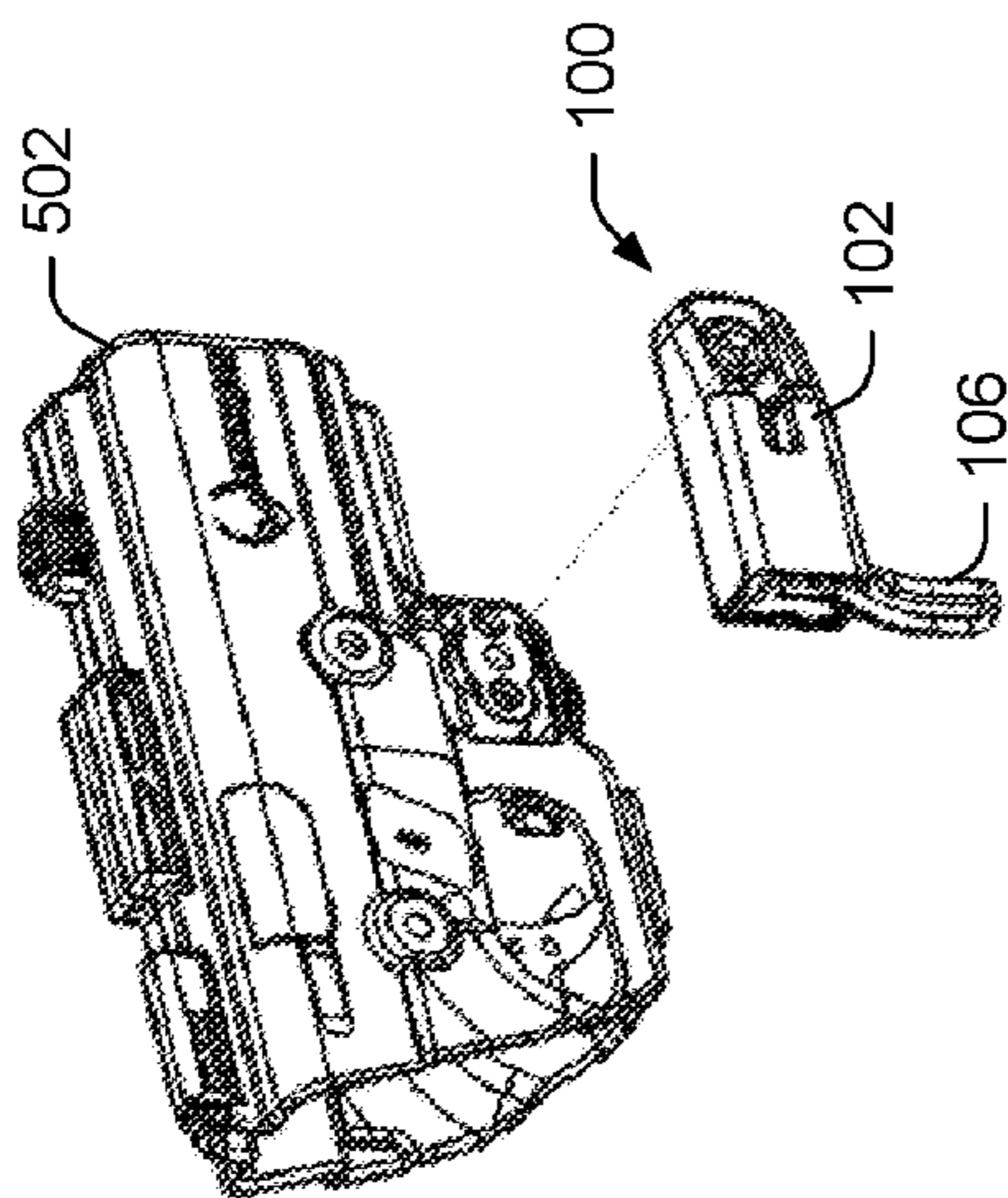


FIG. 5C

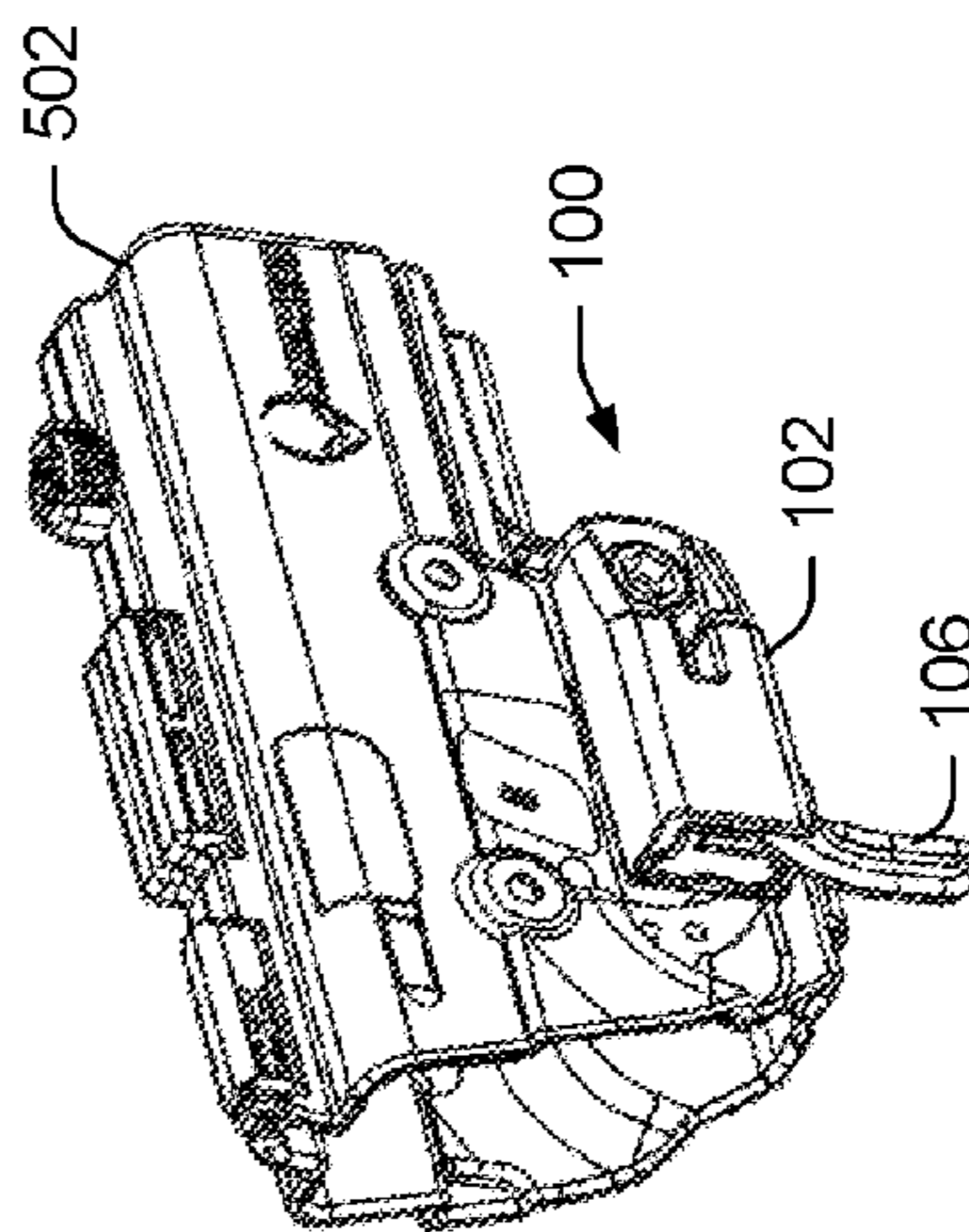


FIG. 5D

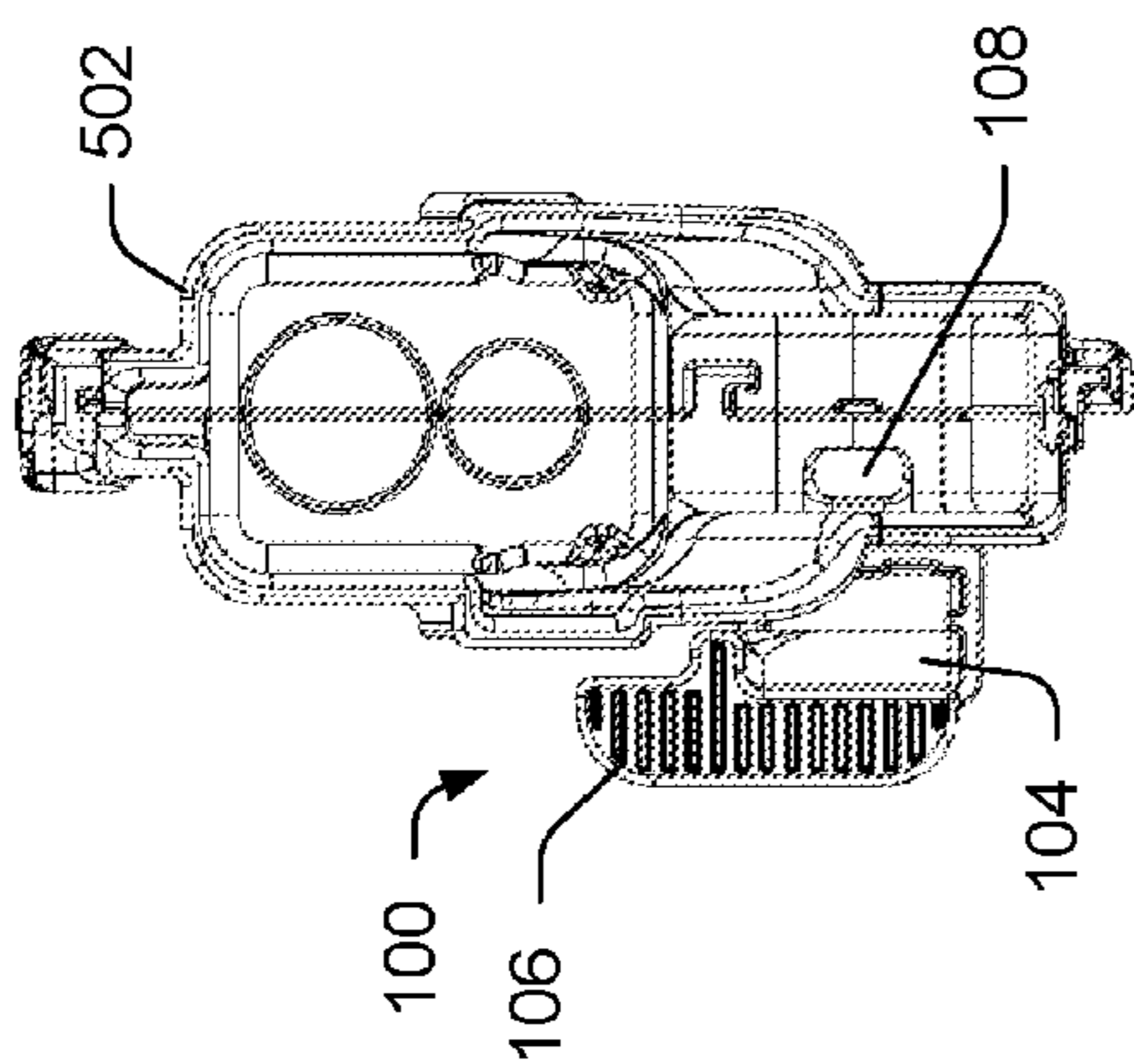


FIG. 6A

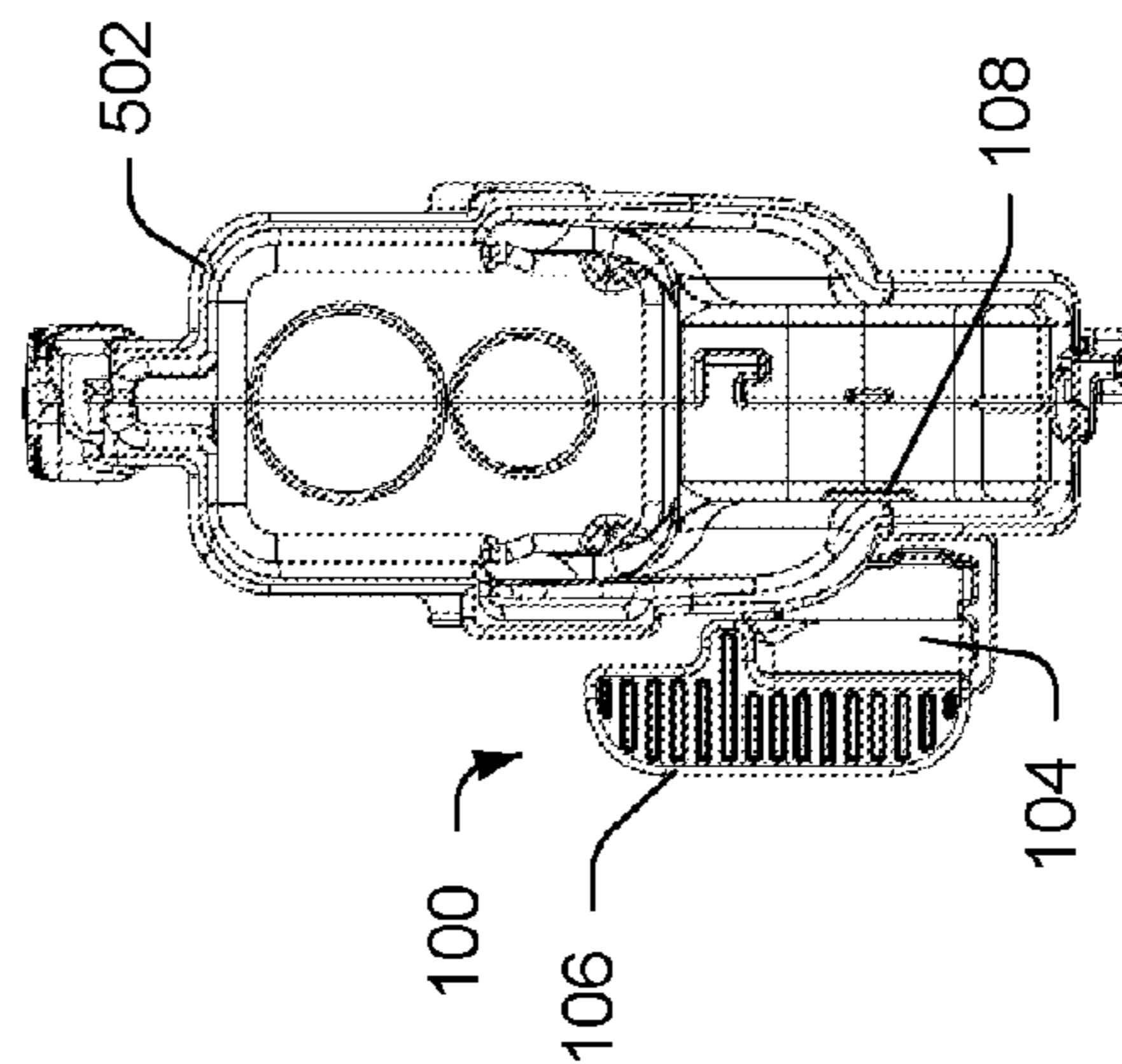


FIG. 6B

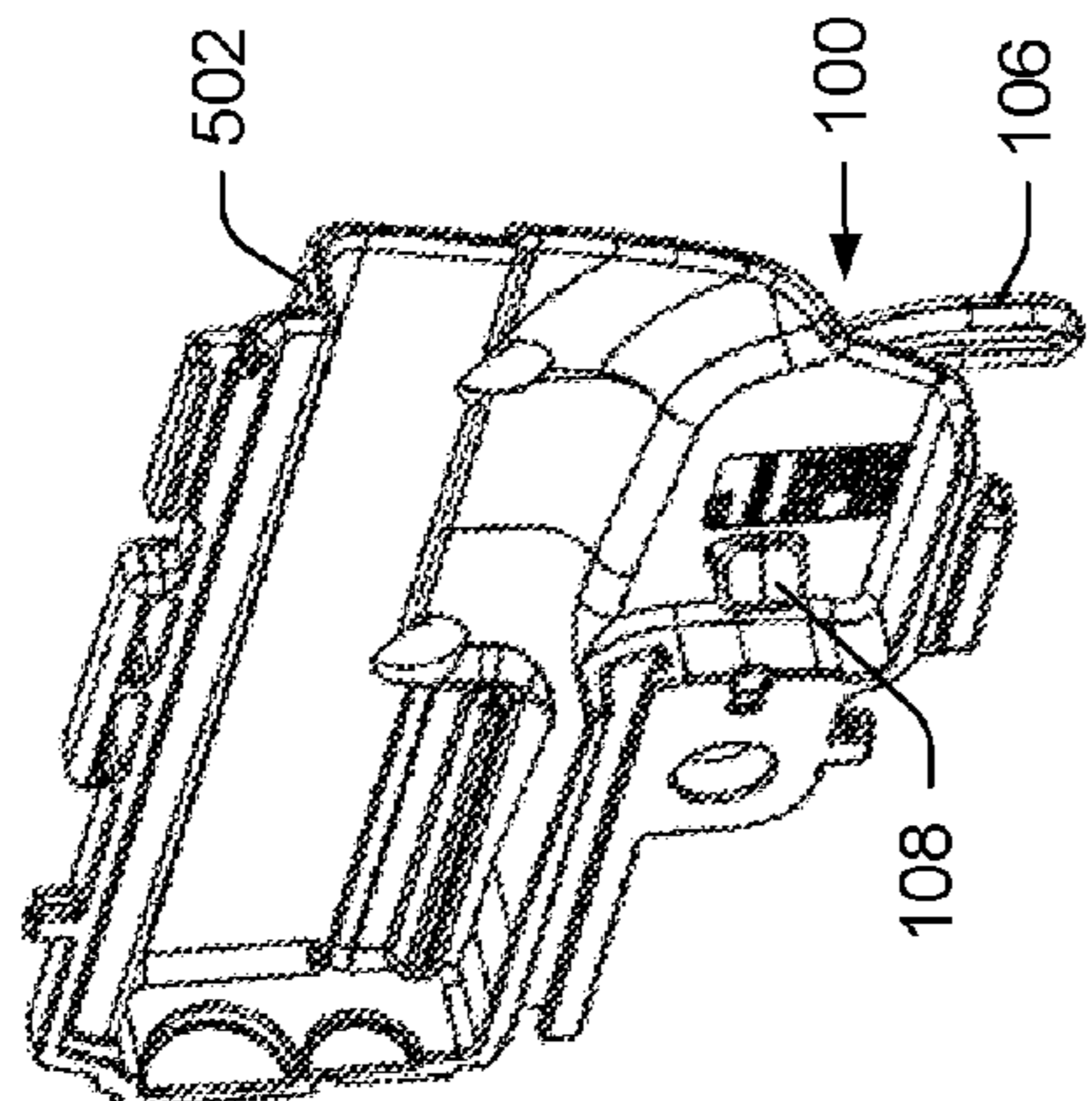


FIG. 6C

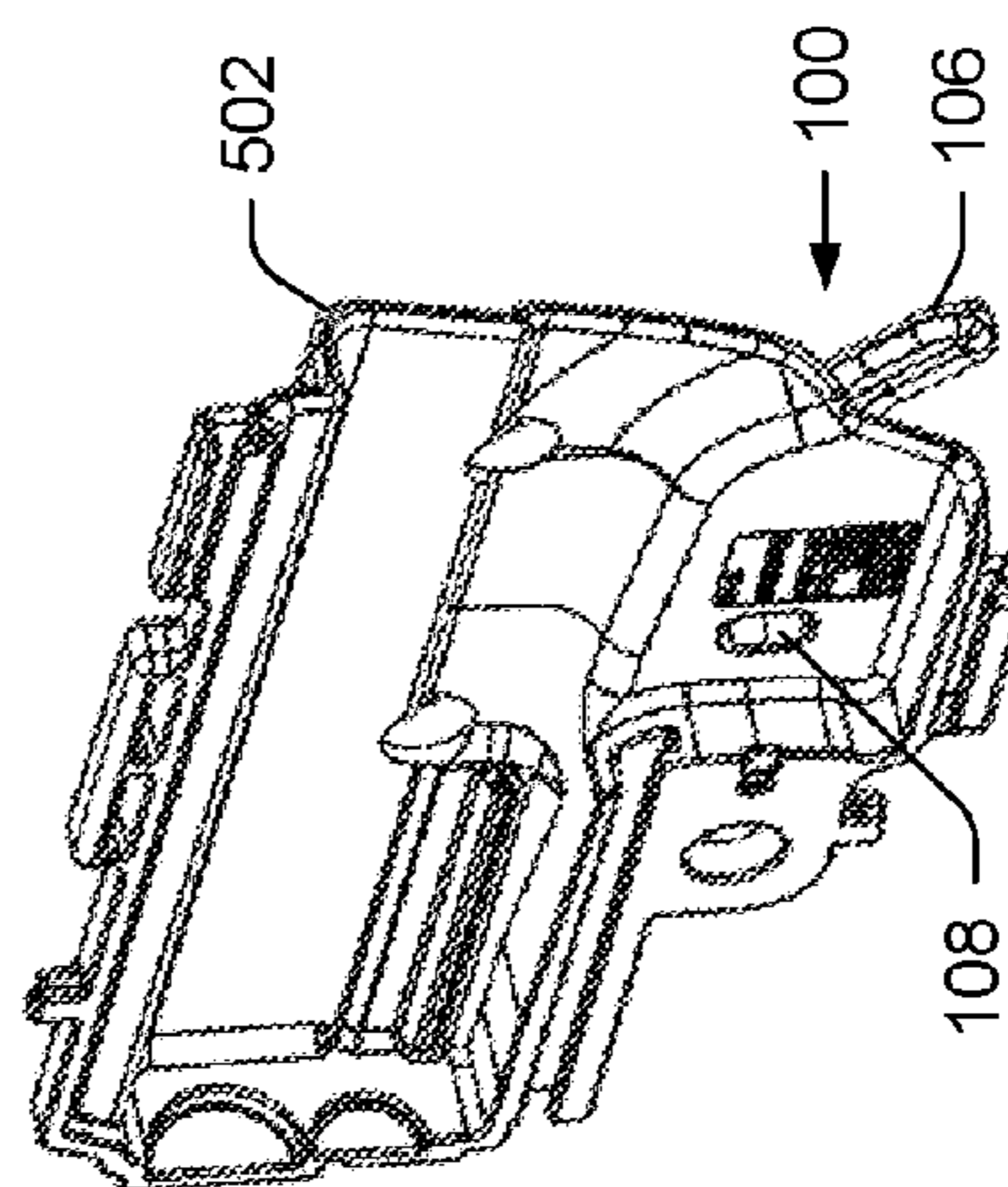


FIG. 6D

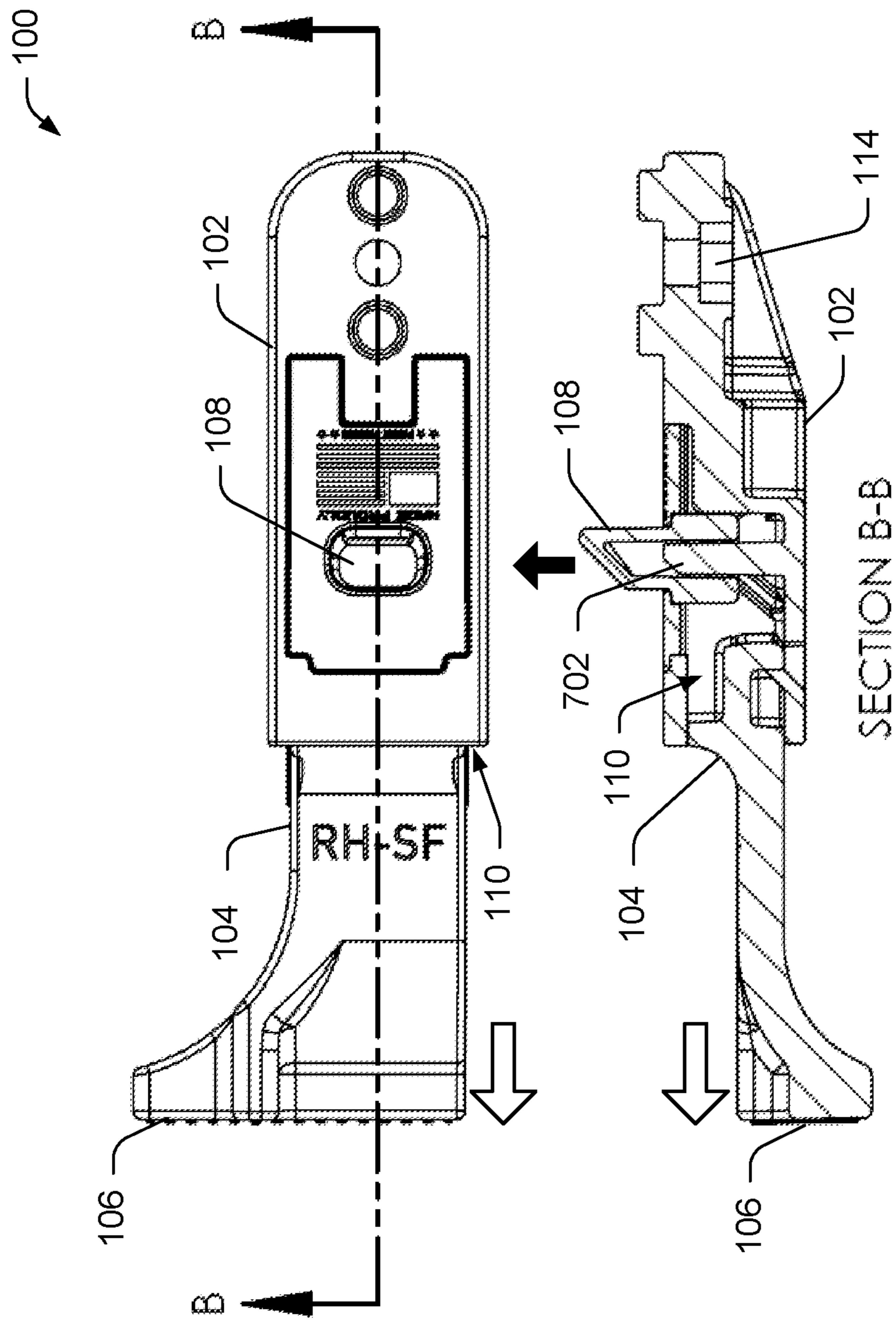


FIG. 7A

FIG. 7B

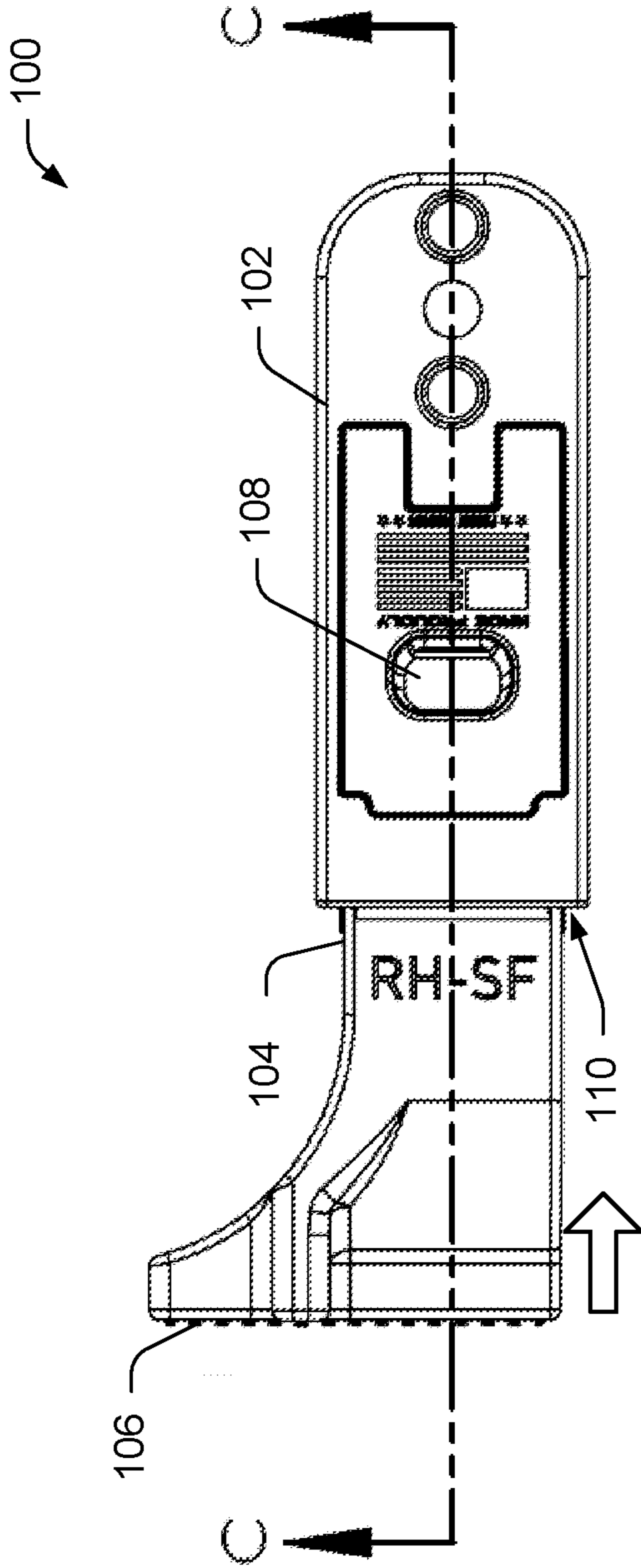


FIG. 8A

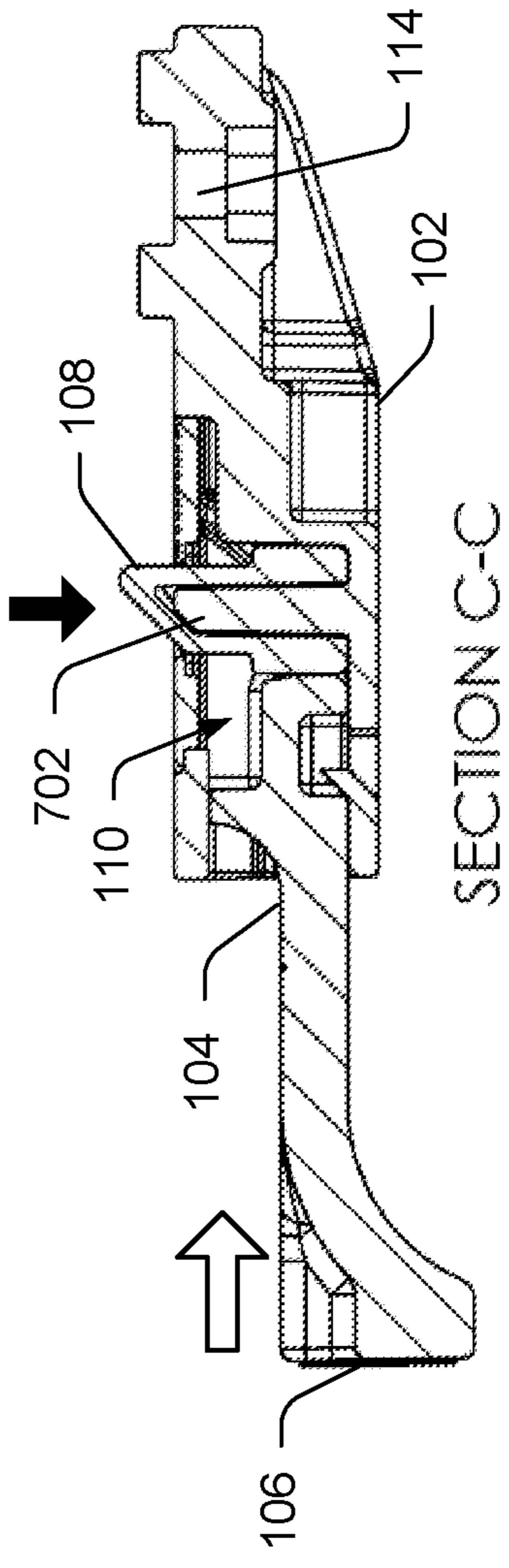


FIG. 8B

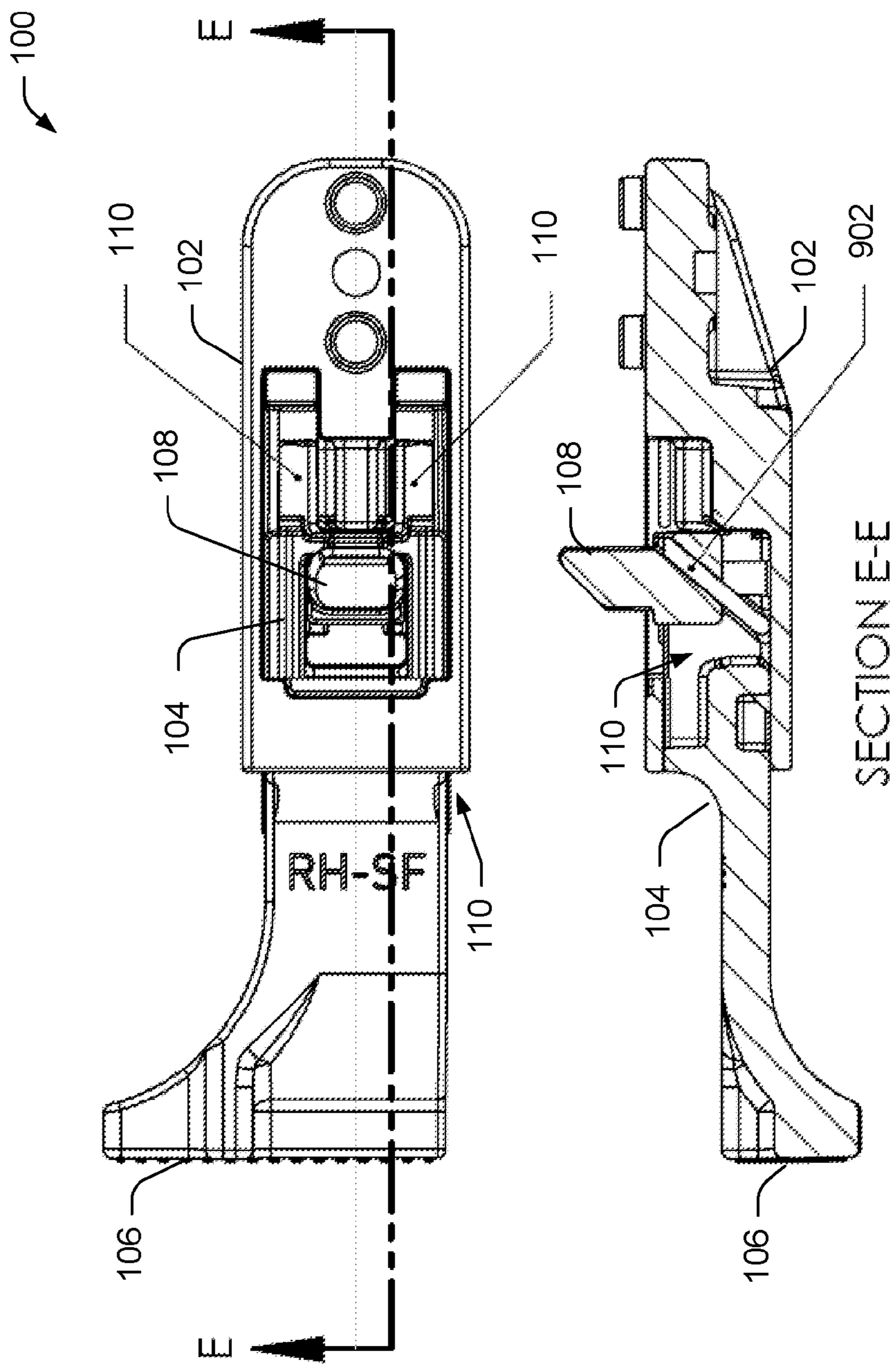


FIG. 9A

FIG. 9B

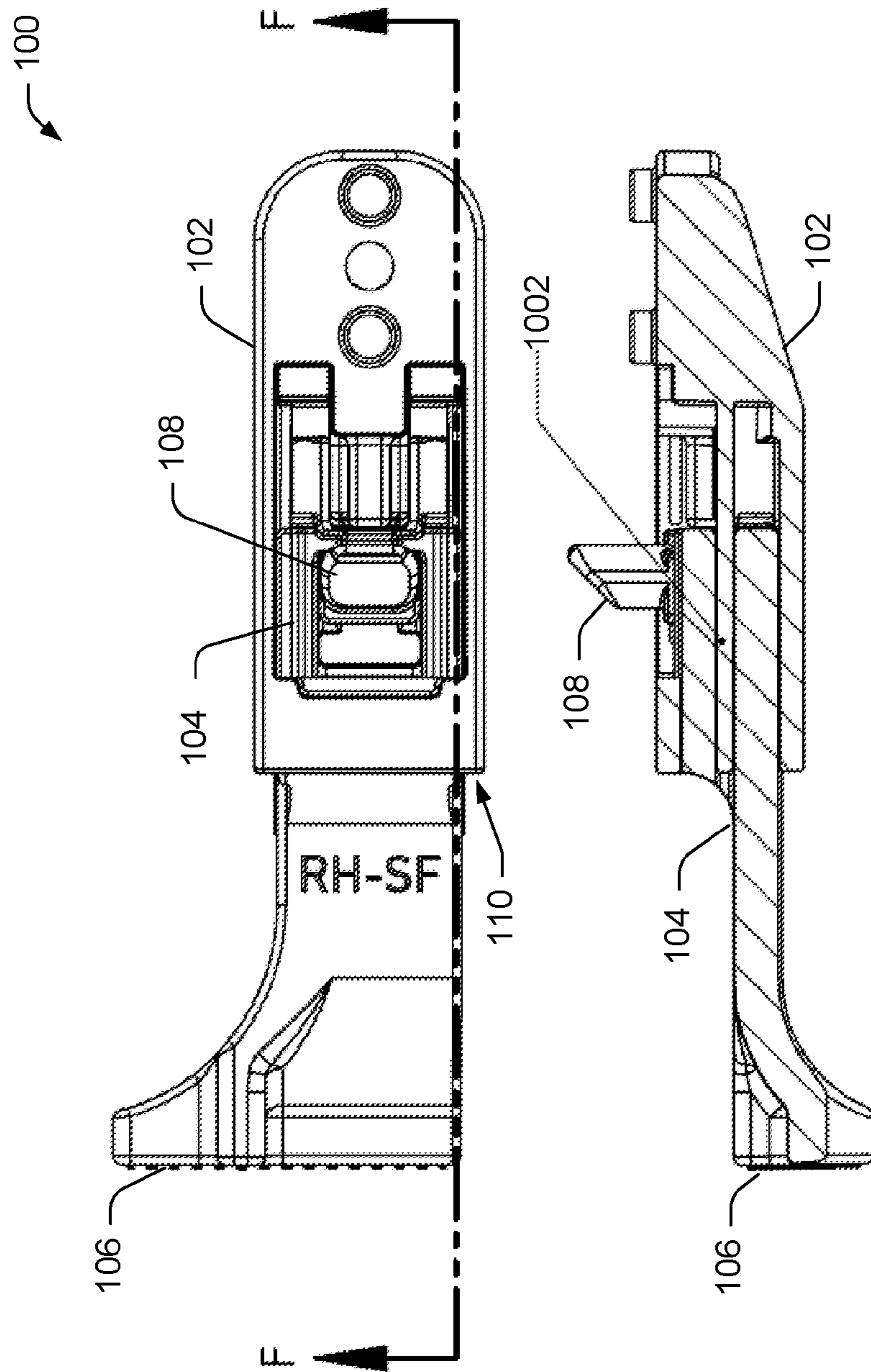


FIG. 10A

FIG. 10B

SECTION F-F

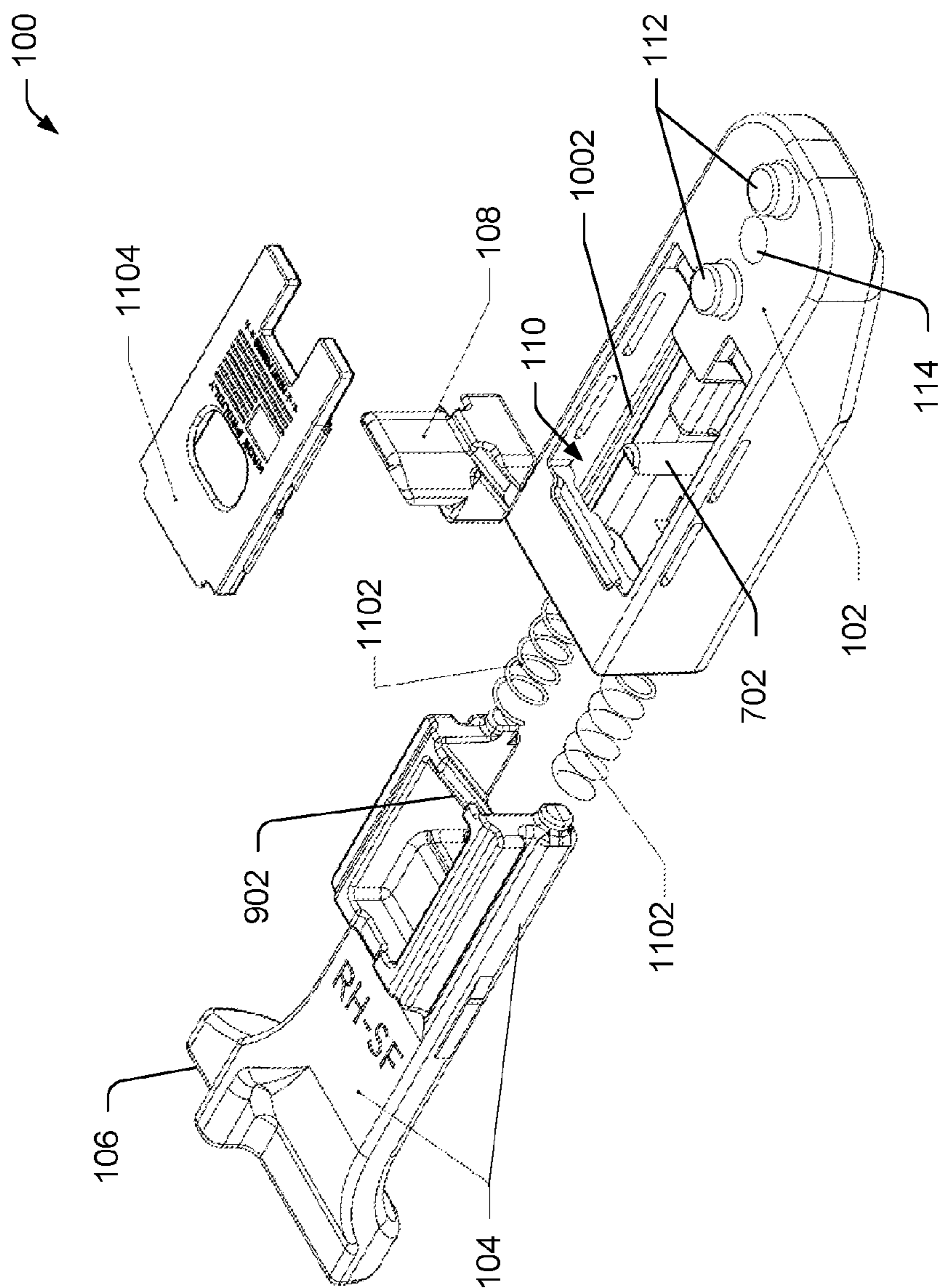


FIG. 11

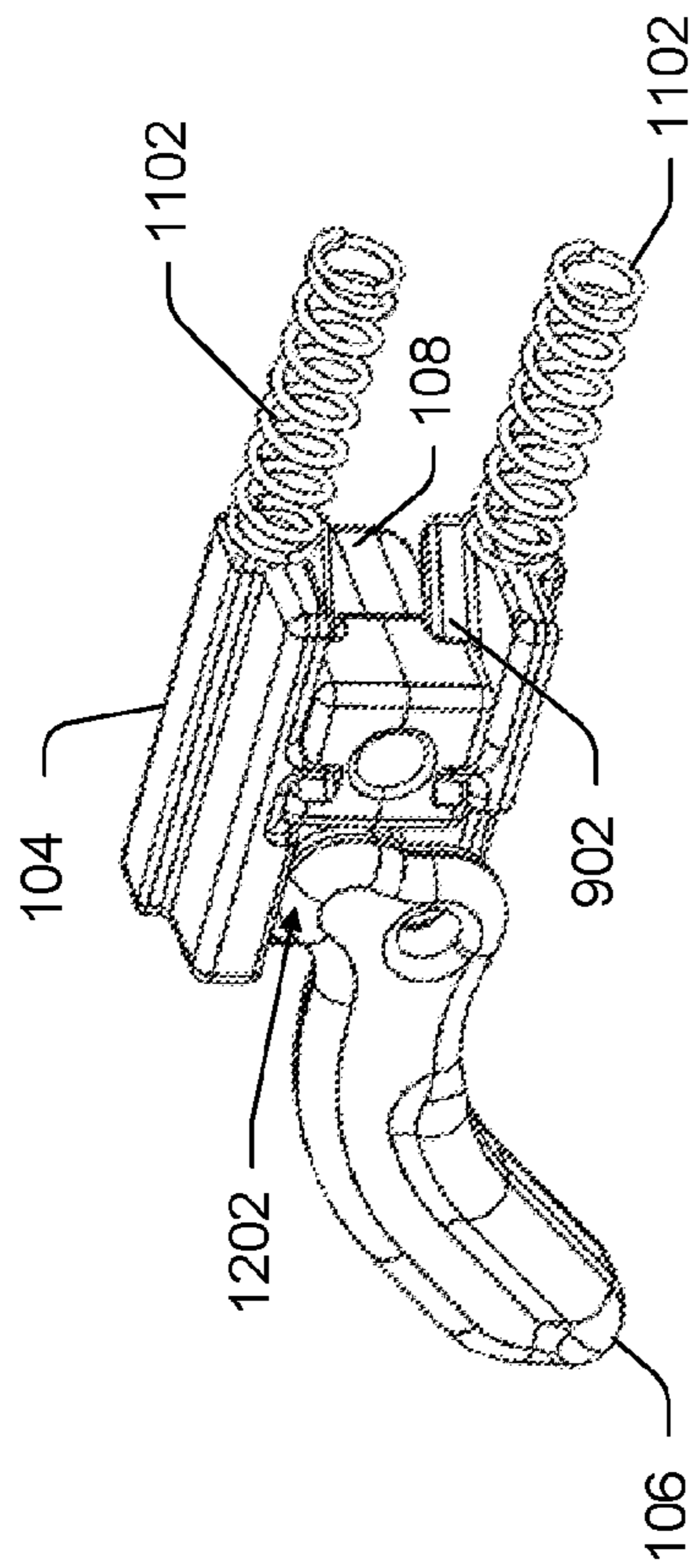


FIG. 12A

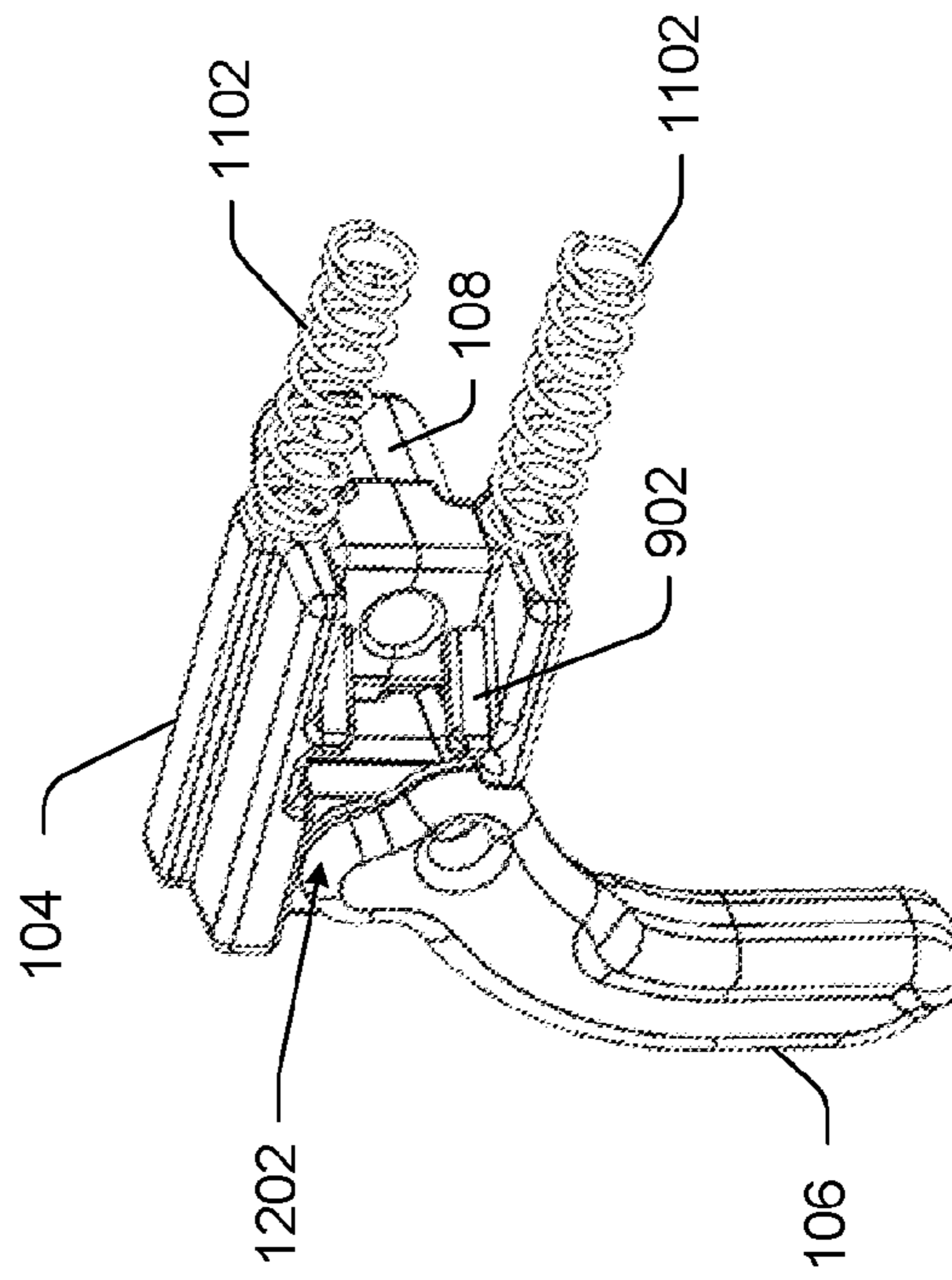


FIG. 12B

HOLSTER LOCK**PRIORITY CLAIM AND CROSS-REFERENCE
TO RELATED APPLICATION**

[0001] This application claims the benefit under 35 U.S.C. § 119(e)(1) of U.S. Provisional Application No. 62/407,675, filed Oct. 13, 2016, which is hereby incorporated by reference in its entirety.

BACKGROUND

[0002] Implements, such as tools, weapons, and the like, may be encased in a carrier (such as a holster, for instance) for protection of the implement and/or the user, while providing access to the implement. For example, a carrier may allow a user to conveniently carry the implement, safely retaining the implement until needed. When the implement is to be used, the user may withdraw the implement from the carrier, and then return it to the carrier when finished.

[0003] In the case of a handgun, the holster should reasonably protect the handgun and the user, and should be convenient to the user for ready use. Accordingly, the holster should retain the handgun until it is to be used, but allow the user to draw the handgun for use without undue effort or difficulty. The holster should be rigid and stable enough to allow the handgun to be repeatedly drawn and reholstered, usually with the same hand. Additionally, the holster should provide sufficient assurance that the handgun will remain in the holster until intentionally withdrawn, including remaining in the holster while the user is running, jumping, or otherwise engaged in a vigorous activity.

[0004] A strap or a flap can be provided on some holsters to close off a portion of the holster opening, trapping the handgun within the holster. The strap can provide a measure of assurance that the handgun will remain within the holster while the strap is secured. However, the user must disengage the strap to ready the handgun for use. With the strap in the disengaged position, the handgun can potentially fall out of the holster if the user begins running or jumping, etc. before re-securing the strap. Further, the handgun could be susceptible to access by another person while the strap is unsecured, for example if the other person is grappling with the user.

BRIEF DESCRIPTION OF THE DRAWINGS

[0005] The detailed description is set forth with reference to the accompanying figures. In the figures, the left-most digit(s) of a reference number identifies the figure in which the reference number first appears. The use of the same reference numbers in different figures indicates similar or identical items.

[0006] For this discussion, the devices and systems illustrated in the figures are shown as having a multiplicity of components. Various implementations of devices and/or systems, as described herein, may include fewer components and remain within the scope of the disclosure. Alternately, other implementations of devices and/or systems may include additional components, or various combinations of the described components, and remain within the scope of the disclosure. Shapes and/or dimensions of components shown in the illustrations of the figures are for example and ease of discussion, and other shapes and or dimensions may be used and remain within the scope of the disclosure, unless specified otherwise.

[0007] FIGS. 1A and 1B show two views of an example holster lock, according to an embodiment. FIG. 1A shows the holster lock in an extended configuration and FIG. 1B shows the holster lock in a retracted configuration.

[0008] FIGS. 2A and 2B show two views of another example holster lock, according to an embodiment. FIG. 2A shows the holster lock in an extended configuration and FIG. 2B shows the holster lock in a retracted configuration.

[0009] FIGS. 3A-3D include four views of an example holster lock, according to an embodiment. Included are a front view at FIG. 3A, a side view at FIG. 3B, a back view at FIG. 3C, and a top view at FIG. 3D.

[0010] FIGS. 4A-4C include three views of example holster locks, according to various embodiments, showing some interior details.

[0011] FIGS. 5A-5D include four views of an example holster lock mounted to an example holster, according to various embodiments. FIGS. 5A, 5C, and 5D show a perspective view and FIG. 5B shows a side view according to various embodiments.

[0012] FIGS. 6A-6D include four views of an example holster lock attached to an example holster, according to various embodiments. FIGS. 6A and 6C show the holster lock in an extended configuration, and FIGS. 6B and 6D show the holster lock in a retracted configuration.

[0013] FIGS. 7A and 7B include two views of an example holster lock, according to an embodiment. Illustrated are: a bottom view at FIG. 7A and a cross-section view (shown cut-away along the section line B-B) at FIG. 7B.

[0014] FIGS. 8A and 8B include two views of an example holster lock, according to an embodiment. Illustrated are: a bottom view at FIG. 8A and a cross-section view (shown cut-away along the section line C-C) at FIG. 8B.

[0015] FIGS. 9A and 9B include two views of an example holster lock, according to an embodiment. Illustrated are: a bottom view at FIG. 9A and a cross-section view (shown cut-away along the section line E-E) at FIG. 9B.

[0016] FIGS. 10A and 10B include two views of an example holster lock, according to an embodiment. Illustrated are: a bottom view at FIG. 10A and a cross-section view (shown cut-away along the section line F-F) at FIG. 10B.

[0017] FIG. 11 is an exploded view of an example holster lock, according to an embodiment, showing component details.

[0018] FIGS. 12A and 12B show components of an example holster lock, according to an embodiment.

DETAILED DESCRIPTION**Overview**

[0019] Representative implementations of devices and techniques provide a holster lock assembly, which may be used with a carrier or a holster for an implement (such as a handgun holster, for example), in a variety of configurations. The holster lock is a self-contained assembly, arranged to be attached to the holster (or another carrier) for temporarily and safely locking the implement within the holster, while making the implement easily accessible to the user. For example, the holster lock may be mounted to the holster in such a way as to trap or capture a portion of the implement, and thus to retain the implement within the holster until intentionally released. Once intentionally released, the implement may be removed from the holster by a user. In an

example, the implement comprises a firearm and the carrier or holster comprises a firearm holster.

[0020] In various implementations, a user can mount the holster lock to a holster, so that the user can stow the implement within the holster and set the holster lock to retain the holster until released. In many embodiments, the implement is automatically locked within the holster once the implement is placed within. For example, the user can holster the implement as normal, and when doing so, the implement is locked within the holster. Unless the holster lock is released, the user is unable to withdraw the implement from the holster. However, the user can easily and quickly withdraw the implement from the holster once the user intentionally releases the holster lock.

[0021] In an implementation, the holster lock includes a housing configured to be coupled to a carrier, an actuator arm disposed partly within a cavity of the housing and free to move within the cavity along a longitudinal axis of the housing, and a locking post disposed partly within the housing and moveably coupled to the actuator arm. In various examples, the locking post is arranged to extend from the housing when the actuator arm is activated in a first configuration and to retract into the housing when the actuator arm is activated in a second configuration. The locking post is configured to retain an implement within the carrier when extended from the housing.

[0022] Techniques and devices are discussed with reference to example firearm holsters illustrated in the figures. However, this is not intended to be limiting, and is for ease of discussion and illustrative convenience. The techniques and devices discussed may be applied to any of various cases, case designs, combinations, and the like, (e.g., enclosures, sheaths, covers, cases, carriers, etc.) for encasing tools, weapons, or other implements and accessories, and remain within the scope of the disclosure.

[0023] Implementations are explained in more detail below using a plurality of examples. Although various implementations and examples are discussed here and below, further implementations and examples may be possible by combining the features and elements of individual implementations and examples.

Example Embodiments

[0024] An example holster lock **100** is shown in FIGS. 1A-12B, according to various implementations. As shown in FIGS. 1A-4C an example holster lock **100** includes a housing **102**, an actuator arm **104**, and a locking post **108**. For instance, the movement of the locking post **108** relative to the housing **102** can be primarily controlled by moving the actuator arm **104**. In some implementations, the holster lock **100** also includes an actuator button **106**, which may be integral to or coupled to the actuator arm **104**, or which may be coupled to another portion of the holster lock **100** and still activate the actuator arm **104**. The actuator button **106** may be used to move the actuator arm **104**, thereby controlling the locking post **108**. In various embodiments, the actuator button **106** comprises a button, a lever, a switch, or the like. In alternate implementations, an example holster lock **100** may include fewer or more components, or may include alternate components to those shown, and remain within the scope of this disclosure.

[0025] As shown in FIGS. 5A-6D, the holster lock **100** may be used with a carrier **502** (e.g., externally mounted to the carrier **502**), such as a holster for an implement (e.g., a

handgun, a weapon, a tool, etc.), to retain the implement within the carrier **502** until intentionally released. For example, the housing **102** is arranged to be temporarily or permanently attached to an implement holster such as the carrier **502** shown in FIGS. 5A-6D, or with various other types of carriers **502**, as well as with other carriers, holsters, cases, sheaths, covers, holders, enclosures, containers, and the like. For this disclosure, the use of the terms “carrier” or “holster” are interchangeable, and also apply to these various other covers, cases, enclosures, etc. Further, the shape of the holster lock **100** may vary to accommodate the various carriers **502**, as well as to accommodate various applications.

[0026] The holster lock **100** may include various mounting features (e.g., **112**, **114**) for mounting the holster lock **100** to a holster **502**. In some embodiments, the holster lock **100** may be customized with unique mounting features (e.g., **112**, **114**), based on the holster **502** to be coupled to. In other embodiments, the holster lock **100** may include generic mounting features that will work with a variety of holsters **502**.

[0027] For instance, referring to FIGS. 1A-4C, in various implementations, the holster lock **100** includes one or more mounting portions **112** integral to or coupled to the housing **102**. The mounting portion(s) **112** are configured to temporarily or permanently couple the lock assembly **100** to an outer surface of the holster **502**, by interfacing with a portion of the surface of the holster **502**. In one example, as shown in FIGS. 1A-4C, the mounting portions **112** comprise protrusions on one or more surfaces of the housing **102**. The protrusions **112** (or the like) can be inserted into openings or depressions on the surface of the holster **502**, to stabilize the housing **102** with respect to the holster **502**, while one or more fasteners are used with holes **114** to fasten the housing **102** to the holster **502**. In other examples, other mounting options are also possible (e.g., a rail mount, slide, or snap fitting, etc.).

[0028] In an implementation, as shown in FIGS. 6A and 6C, the locking post **108** is arranged to extend through an opening in the surface of the holster **502** and into an interior of the holster **502** when the lock assembly **100** is coupled to the holster **502** and the actuator arm **104** is moved into a first configuration. In this position, the locking post **108** extends into the interior of the holster **502** a distance to catch and trap a portion of the implement (such as a trigger guard). For instance, in an example, the first configuration comprises the actuator arm **104** extended in a direction away from the locking post **108**, or extended in a direction out from the housing **102**.

[0029] As mentioned, in various embodiments, the locking post **108** is configured to engage and to trap a portion of an implement (not shown), to retain the implement within the implement holster **502**, when the locking post **108** is extended from the housing **102**. For instance, depending on the mounting location of the housing **102** on the holster **502**, the locking post **108** may trap a portion of the trigger guard of the implement when the post **108** is extended.

[0030] To release the implement from the holster **502**, the locking post **108** is retracted into the housing **102** (as shown in FIGS. 6B and 6D) by moving the actuator arm **104** into a second configuration (e.g., a retracted configuration). With the locking post **108** retracted, the implement may be withdrawn from the holster **502**. For instance, in an implementation as shown at FIG. 6B, the user may press on the

button **106** to move the actuator arm **104** into the housing **102**, which retracts the locking post **108** into the housing **102** and releases the implement, allowing the implement to be withdrawn from the holster **502**. In another implementation as shown at FIG. **6D**, the user may pull on the button **106** (e.g., lever) to move the actuator arm **104** into the housing **102**, which retracts the locking post **108** into the housing **102**.

[0031] In an embodiment, putting an implement into the holster **502** pushes on the locking post **108**, retracting the locking post **108** into the housing. In some embodiments, the locking post **108** may have a beveled portion to facilitate the implement pushing the locking post **108**. For example, the locking post **108** is retracted into the housing **102** while the implement is being inserted into the holster **502**, and when the implement is fully within the holster **502**, the locking post **108** returns to an extended state, trapping a portion of the implement. This captures the implement within the holster **502**, retaining the implement until it is intentionally released from the holster **502**.

[0032] As shown in FIGS. **7A-11**, in various implementations, the housing **102** includes an interior cavity **110**. In the implementations, the actuator arm **104** is disposed partly or fully within the cavity **110** within the housing **102**. The actuator arm **104** is able to travel fore and aft within the cavity **110**, along an axis running the length of the housing **102** (i.e., a longitudinal axis of the housing). In an embodiment, one or more rails **1002** (as shown in FIG. **10B**) are disposed within the cavity, arranged parallel to the longitudinal axis of the housing, and the actuator arm **104** is slideably coupled to the one or more rails **1002**. In the embodiment, the actuator arm **104** is slideably coupled to the housing **102** via the one or more rails **1002**.

[0033] As illustrated in FIGS. **1A-2B** and referring to FIGS. **7A-12**, the actuator button **106** may be activated by the user to move the actuator arm **104** within the cavity **110**. In some embodiments, the button **106** is shaped to accommodate a thumb or a finger of the user, to allow the user to move the actuator arm **104** with the user's thumb or finger. In an implementation, the actuator button **106** is disposed at an external end of the actuator arm **104** and is configured to be actuated by a user to move the actuator arm **104** into the second configuration (e.g., retracted configuration), to retract the locking post **108** into the housing **102**.

[0034] In an embodiment, the actuator button **106** comprises a lever arranged to move the actuator arm **104** into the first configuration when the actuator button **106** (e.g., lever) is moved to a first position and to move the actuator arm **104** into the second configuration when the actuator button **106** (e.g., lever) is moved to a second position. In the embodiment, the actuator button **106** (e.g., lever) may include one or more features **1202** (as shown at FIG. **12**, for example), such as a lobe, a tooth, a tab, or the like. The actuator button **106** (e.g., lever) can be arranged to rotate or pivot from the first position to the second position, and to move the actuator arm **104** from the first configuration to the second configuration, respectively, via the feature **1202** as the actuator button **106** (e.g., lever) pivots. In one example, the feature **1202** of the actuator button **106** (e.g., lever) pushes the actuator arm **104** into the housing **102** when the actuator button **106** (e.g., lever) is moved into the second position. The actuator button **106** (e.g., lever) may be returned to the first position manually, by a spring device, or other technique.

[0035] Referring again to FIGS. **1A-2B** and **7A-12**, in various implementations, the locking post **108** is moveably coupled to the actuator arm **104**, such that moving the actuator arm **104** moves the locking post **108**. For instance, as shown at FIGS. **7A-8B**, moving the actuator arm **104** in a direction into and out of the cavity **110** of the housing **102** moves the locking post **108** into and out of the housing **102**. In this way, the locking post **108** can be controlled via the actuator arm **104**.

[0036] As illustrated in FIGS. **1A-2B**, and **7A-8B**, as the actuator arm **104** travels fore and aft (i.e., along a longitudinal axis of the housing), the locking post **108** moves into the housing **102** and out of the housing **102**, respectively. In other words, as the actuator arm **104** is moved in a direction out of the cavity **110** (e.g., "extended," as indicated in FIGS. **1A**, **2A**, and **7A-7B**), the locking post **108** moves out from the housing **102** as well. As the actuator arm **104** is moved in a direction into the cavity **110** of the housing **102** (e.g., retracted, as indicated in FIGS. **1B**, **2B**, and **8A-8B**), the locking post **108** moves into the housing **102** as well.

[0037] In alternate embodiments, the arm **104**/ post **108** action may be reversed. For example, in an embodiment, extending the arm **104** from the housing **102** causes the post **108** to be retracted into the housing **102**, and retracting the arm **104** into the housing **102** causes the post **108** to be extended from the housing **102**. Alternately, the arm **104** may be moved in other ways (e.g., up, down, to the side, pivoted, etc.) to move the locking post **108** in and out of the housing **102** (e.g., to lock or release the implement).

[0038] Various mechanisms may be used to move the locking post **108** via the actuator arm **104**. FIGS. **11**, and **12A-12B** show some examples of mechanisms that may be used, according to some embodiments. For example, as shown in FIGS. **9B**, **11**, and **12A-12B**, a ramp feature **902** (e.g., one or more ramped rails, grooves, etc.) may be coupled to (or integral to) the internal end of the actuator arm **104** (i.e., the end of the actuator arm **104** that is within the cavity **110**). The locking post **108** can include one or more grooves, flanges, rails, or the like, configured to ride on the ramp feature **902**. In an embodiment, the locking post **108** is slideably coupled to the actuator arm **104** via the ramp feature **902**. Further, the housing **102** may include a boss **702** (or the like), arranged in a transverse (normal) orientation (or another orientation) to a longitudinal axis of the housing **102** and the actuator arm **104**. The locking post **108** can include a hollow cavity (or the like) configured to ride on the boss **702**. In an embodiment, the locking post **108** is slideably coupled to the housing **102** via the boss **702**.

[0039] In various embodiments, the locking post **108** may ride on both the ramp **902** and the boss **702** during the movement of the actuator arm **104**. For example, the locking post **108** can ride up and down on the boss **702**, as the locking post **108** is extended and retracted out of and into the housing **102**, and maintain its alignment relative to the housing **102** and the holster **502**. Additionally, the locking post **108** can ride diagonally on the ramp **902** via grooves, flanges, rails, or the like, so that the locking post **108** is pushed out of the housing **102** or retracted into the housing **102** with the movement of the actuator arm **104**. Meanwhile, the actuator arm **104** rides back and forth within the cavity **110** on the one or more rails **902** for stability.

[0040] In an implementation, (as shown in the example of FIG. **9B**) when the actuator arm **104** is extended from the housing **102**, the locking post **108** is resting on the upper end

of the ramp **902**, so that the locking post **108** is extended out of the housing **102**. When the actuator arm **104** is retracted (pushed into the housing **102**), the locking post **108** is lowered by the ramp **902** (the locking post **108** moves down on the boss **702**), so that the locking post **108** is resting on the lower end of the ramp **902**, and so that the locking post **108** is retracted into the housing **102**.

[0041] Accordingly, in the implementation, and as shown in FIGS. 1A-2B, the locking post **108** is arranged to travel in a first direction (e.g., “90 degrees” or out of the housing **102**) on the boss **702** when the actuator arm **104** travels within the cavity **110** in a second direction (e.g., “180 degrees”) transverse (normal) to the first direction. As well, the locking post **108** is arranged to travel in a third direction (e.g., “270 degrees” or into the housing **102**) on the boss **702** when the actuator arm **104** travels within the cavity **110** in a fourth direction (e.g., “0 degrees”) normal to the third direction.

[0042] In another implementation, the ramp **902** has an alternate configuration, such that when the actuator arm **104** is extended from the housing **102**, the locking post **108** is resting on the lower end of the ramp **902**, so that the locking post **108** is extended out of the housing **102**. When the actuator arm **104** is retracted (pushed into the housing **102**), the locking post **108** is elevated by the ramp **902**, so that the locking post **108** is resting on the upper end of the ramp **902**, and so that the locking post **108** is retracted into the housing **102**. A spring device at the top of the locking post **108**, applying tension against the top of the locking post **108**, can assist the locking post **108** in quickly and smoothly moving to the lower end of the ramp **902** and into the extended position when the actuator arm **104** is extended again.

[0043] In this implementation, the locking post **108** is arranged to travel in a first direction (e.g., “270 degrees” or out of the housing **102**) on the boss **702** when the actuator arm **104** travels within the cavity **110** in a second direction (e.g., “180 degrees”) transverse (normal) to the first direction. As well, the locking post **108** is arranged to travel in a third direction (e.g., “90 degrees” or into the housing **102**) on the boss **702** when the actuator arm **104** travels within the cavity **110** in a fourth direction (e.g., “0 degrees”) normal to the third direction.

[0044] In alternate embodiments, other components and techniques may be used to move the locking post **108** with the actuator arm **104**. The alternate embodiments can include alternate movement directions (with regard to the actuator arm **104** and the locking post **108**) than those discussed above, and remain within the scope of the disclosure.

[0045] In various embodiments, the actuator arm **104** and/or the locking post **108** are spring loaded, for example as shown in FIGS. 11 and 12A-12B. Spring devices **1102** may be used at various locations to return the actuator arm **104** and the locking post **108** to rest (to the extended state from a retracted state, for example). For instance, spring devices **1102** may be used at an internal end of the actuator arm **104**, to return the actuator arm **104** to an extended state, or at an internal end of the locking post **108**, to return the locking post **108** to an extended state, or both. The spring devices **1102** can also allow the implement to be inserted into the holster **502**, pushing the locking post **108** into the housing **102**. Once the implement clears the locking post **108** (e.g., the implement is within the holster **502**), the spring device(s) **1102** return the post **108** to the extended state,

automatically trapping a portion of the implement and retaining the implement within the holster **502**.

[0046] While the housing **102** may be a single component in some embodiments, in others the housing **102** may be formed of multiple components. In an embodiment, the housing includes a separate bottom plate **1104**. The bottom plate **1104** may be useful for assembly of the holster lock **100**, and it may also include an opening for the locking post **108** to extend through.

[0047] In an implementation, one or more components of the holster lock **100**, including the housing **102**, the actuator arm **104**, and/or the locking post **108**, are partially or fully formed using an injection molding process. Accordingly, the components of the holster lock **100** can be custom molded as desired for the application and/or as needed for custom fit to a particular carrier or holster **502**, for instance. In alternate implementations, one or more components of the holster lock **100** are formed by some other process (e.g., stamping, cutting, etc.).

[0048] In various implementations, components of the holster lock **100** are comprised of various plastics, composites, metals, combinations of the same, or the like. For example, the housing **102**, the actuator arm **104**, and/or the locking post **108** (or other components) may be comprised of a polyamide, or similar material. The use of a molded polyamide or fiber-filled polyimide provides components that are rigid and stable for reliable and repeated use, for instance. For example, some materials that may be used include nylons, aramids, styrenic block copolymers (TPE-s), polyolefin blends (TPE-o), elastomeric alloys (TPE-v or TPV), thermoplastic polyurethanes (TPU), thermoplastic co-polyesters, thermoplastic polyamides, combinations of the same, and the like.

[0049] As discussed above, the techniques, components, and devices described herein with respect to the implementations are not limited to the illustrations of FIGS. 1A-12B, and may be applied to other carrier devices and case designs without departing from the scope of the disclosure. In some cases, additional or alternative components, techniques, sequences, or processes may be used to implement the techniques described herein. Further, the components and/or techniques may be arranged and/or combined in various combinations, while resulting in similar or approximately identical results. It is to be understood that a holster lock **100** may be implemented as a stand-alone device or as part of another system (e.g., integrated with other components to form a locking holster **502**). A holster lock **100** may be pre-combined component of a locking holster **502**, or the holster lock **100** may be added to a holster **502** as an accessory, add-on, or an upgrade component.

[0050] Although various implementations and examples are discussed herein, further implementations and examples may be possible by combining the features and elements of individual implementations and examples. In various implementations, additional or alternative components may be used to accomplish the disclosed techniques and arrangements.

CONCLUSION

[0051] Although the implementations of the disclosure have been described in language specific to structural features and/or methodological acts, it is to be understood that the implementations are not necessarily limited to the specific features or acts described. Rather, the specific features

and acts are disclosed as representative forms of implementing the disclosed techniques, systems, and devices. Further, individual features of various embodiments may be combined to form other embodiments not specifically described.

What is claimed is:

1. A lock assembly, comprising:
 - a housing configured to be coupled to a carrier, the housing including a cavity;
 - an actuator arm disposed partly within the cavity and free to move within the cavity along a longitudinal axis of the housing; and
 - a locking post disposed partly within the housing and moveably coupled to the actuator arm, the locking post arranged to extend from the housing when the actuator arm is moved into a first configuration and to retract into the housing when the actuator arm is moved into a second configuration, the locking post configured to retain an implement within the carrier when extended from the housing.
2. The lock assembly of claim 1, further comprising one or more rails within the cavity arranged parallel to the longitudinal axis of the housing, the actuator arm slideably coupled to the one or more rails.
3. The lock assembly of claim 1, further comprising at least one boss within the cavity arranged normal to the longitudinal axis of the housing, the locking post slideably coupled to the housing via the at least one boss.
4. The lock assembly of claim 3, wherein the locking post is arranged to travel in a first direction on the at least one boss when the actuator arm travels within the cavity in a second direction normal to the first direction, and to travel in a third direction on the at least one boss when the actuator arm travels within the cavity in a fourth direction normal to the third direction.
5. The lock assembly of claim 1, further comprising one or more ramped rails disposed at an internal end of the actuator arm.
6. The lock assembly of claim 5, wherein the locking post is slideably coupled to the one or more ramped rails.
7. The lock assembly of claim 1, further comprising an actuator button disposed at an external end of the actuator arm and configured to be actuated by a user to move the actuator arm into the second configuration and to retract the locking post within the housing.
8. The lock assembly of claim 7, wherein the actuator button comprises a lever arranged to move the actuator arm into the first configuration when the lever is moved to a first position and to move the actuator arm into the second configuration when the lever is moved to a second position.
9. The lock assembly of claim 1, further comprising a mounting portion integral to or coupled to the housing, the mounting portion configured to temporarily or permanently couple the lock assembly to an implement holster.
10. The lock assembly of claim 9, wherein the locking post is configured to engage and to trap a portion of an implement, to retain the implement within the implement holster, when the locking post is extended from the housing, and to release the portion of the implement, to allow the implement to be withdrawn from the implement holster, when the locking post is retracted into the housing.
11. The lock assembly of claim 1, further comprising one or more spring components arranged to return the actuator arm, the locking post, or the actuator arm and the locking post to an extended state from a retracted state.
12. The lock assembly of claim 11, wherein the one or more spring components are configured to allow the locking post to be retracted into the housing while an implement is being inserted into the carrier and to return the locking post to the extended state, trapping a portion of the implement, after the implement is inserted into the carrier.
13. The lock assembly of claim 1, wherein the locking post is arranged to extend from the housing when the actuator arm extends from the housing and to retract into the housing when the actuator arm retracts into the housing.
14. The lock assembly of claim 1, wherein the locking post is arranged to extend through an opening of the carrier and into an interior of the carrier when the lock assembly is coupled to the carrier and the actuator arm is moved into the first configuration.
15. A holster lock assembly, comprising:
 - a housing configured to be coupled to a firearm holster, the housing including a cavity within the housing;
 - an actuator arm disposed partly within the cavity and slideably coupled to one or more rails within the cavity, the rails disposed parallel to a longitudinal axis of the housing;
 - a locking post disposed partly within the housing and slideably coupled to a boss within the cavity, the boss disposed normal to the longitudinal axis of the housing, the locking post arranged to extend from the housing when the actuator arm moves away from the locking post and to retract into the housing when the actuator arm moves toward the locking post.
16. The holster lock assembly of claim 15, wherein the locking post is arranged to engage and to trap a portion of a firearm, to retain the firearm within the firearm holster, while the actuator arm is extended from the housing.
17. The holster lock assembly of claim 15, wherein the locking post is arranged to release a hold on a firearm stored within the firearm holster, to allow the firearm to be withdrawn from the firearm holster, while the actuator arm is retracted into the housing.
18. A locking holster, comprising:
 - an implement holster adapted to receive and to carry an implement, the holster including a pocket arranged to carry the implement and an opening in a surface of the holster; and
 - a lock assembly coupled to the holster, the lock assembly including:
 - a housing, including a cavity;
 - an actuator arm disposed partly within the cavity and free to move within the cavity along a longitudinal axis of the housing; and
 - a locking post disposed partly within the housing and arranged to extend from the housing and into the pocket, through the opening in the surface of the holster, when the actuator arm is activated in a first configuration and to retract into the housing and out of the pocket when the actuator arm is activated in a second configuration.
19. The locking holster of claim 18, wherein the locking post is configured to trap a portion of the implement and to retain the implement within the holster when the locking post is extended from the housing.
20. The locking holster of claim 18, wherein the locking post is slideably coupled to the actuator arm, and wherein

the locking post is arranged to release a hold on an implement stored within the implement holster, to allow the implement to be withdrawn from the implement holster, when the actuator arm is retracted into the housing.

* * * * *