

(12) INTERNATIONAL APPLICATION PUBLISHED UNDER THE PATENT COOPERATION TREATY (PCT)

(19) World Intellectual Property
Organization
International Bureau

(43) International Publication Date
07 September 2018 (07.09.2018)



(10) International Publication Number
WO 2018/157901 A3

- (51) **International Patent Classification:**
A47F 9/04 (2006.01)
- (21) **International Application Number:**
PCT/DK2018/050042
- (22) **International Filing Date:**
02 March 2018 (02.03.2018)
- (25) **Filing Language:** English
- (26) **Publication Language:** English
- (30) **Priority Data:**
PA 2017 70157 03 March 2017 (03.03.2017) DK
- (71) **Applicant: INGEMANN COMPONENTS A/S**
[DK/DK]; Klosterengen 1, 4000 Roskilde (DK).
- (72) **Inventor: FALKENTOFT, Thorkild;** Rådhusvej 46, st.,
2920 Charlottenlund (DK).
- (74) **Agent: CHAS. HUDE A/S;** H.C. Andersens Boulevard 33,
1780 Copenhagen V (DK).
- (81) **Designated States** (unless otherwise indicated, for every
kind of national protection available): AE, AG, AL, AM,
AO, AT, AU, AZ, BA, BB, BG, BH, BN, BR, BW, BY, BZ,
CA, CH, CL, CN, CO, CR, CU, CZ, DE, DJ, DK, DM, DO,
DZ, EC, EE, EG, ES, FI, GB, GD, GE, GH, GM, GT, HN,
HR, HU, ID, IL, IN, IR, IS, JO, JP, KE, KG, KH, KN, KP,
KR, KW, KZ, LA, LC, LK, LR, LS, LU, LY, MA, MD, ME,

MG, MK, MN, MW, MX, MY, MZ, NA, NG, NI, NO, NZ,
OM, PA, PE, PG, PH, PL, PT, QA, RO, RS, RU, RW, SA,
SC, SD, SE, SG, SK, SL, SM, ST, SV, SY, TH, TJ, TM, TN,
TR, TT, TZ, UA, UG, US, UZ, VC, VN, ZA, ZM, ZW.

- (84) **Designated States** (unless otherwise indicated, for every
kind of regional protection available): ARIPO (BW, GH,
GM, KE, LR, LS, MW, MZ, NA, RW, SD, SL, ST, SZ, TZ,
UG, ZM, ZW), Eurasian (AM, AZ, BY, KG, KZ, RU, TJ,
TM), European (AL, AT, BE, BG, CH, CY, CZ, DE, DK,
EE, ES, FI, FR, GB, GR, HR, HU, IE, IS, IT, LT, LU, LV,
MC, MK, MT, NL, NO, PL, PT, RO, RS, SE, SI, SK, SM,
TR), OAPI (BF, BJ, CF, CG, CI, CM, GA, GN, GQ, GW,
KM, ML, MR, NE, SN, TD, TG).

Declarations under Rule 4.17:

- as to applicant's entitlement to apply for and be granted a patent (Rule 4.17(ii))
- of inventorship (Rule 4.17(iv))

Published:

- with international search report (Art. 21(3))

(88) Date of publication of the international search report:

26 December 2019 (26.12.2019)

(54) **Title:** DISPENSER FOR ROLL OF PLASTIC BAGS

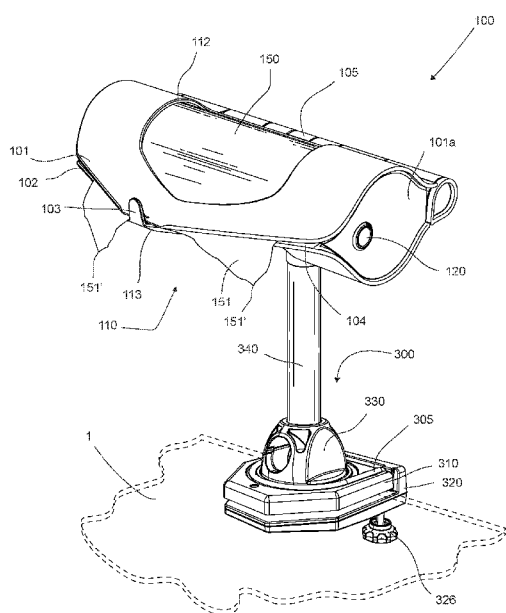


Fig. 1

(57) **Abstract:** In accordance with the invention, there is supplied a dispenser for a roll of plastic bags, including holders for said dispensers for rolls of plastic bags. The dispenser comprises a housing for the roll, holding means for fixating the roll relative to said housing, and a dispensing opening for consecutive dispensing of plastic bags from the roll, while said roll is affixed by said holding means, wherein said dispensing opening is formed of two adjacent surfaces in between which, the plastic bags can be dispensed and held in position. Thereby, a sanitary and easy plastic bag dispensation is achieved.



WO 2018/157901 A3

INTERNATIONAL SEARCH REPORT

International application No.

PCT/DK2018/050042

| A. CLASSIFICATION OF SUBJECT MATTER A47F 9/04 (2006.01) According to International Patent Classification (IPC) or to both national classification and IPC | | |
|--|---|-----------------------|
| B. FIELDS SEARCHED | | |
| Minimum documentation searched (classification system followed by classification symbols) IPC&CPC: A47F, B65B, B65D, B65H, Y10T | | |
| Documentation searched other than minimum documentation to the extent that such documents are included in the fields searched DK, NO, SE, FI; IPC&CPC: A47F | | |
| Electronic data base consulted during the international search (name of data base and, where practicable, search terms used) EPODOC, WPI, FULL TEXT: ENGLISH | | |
| C. DOCUMENTS CONSIDERED TO BE RELEVANT | | |
| Category* | Citation of document, with indication, where appropriate, of the relevant passages | Relevant to claim No. |
| X; A | WO 2014/108603 A1 (PA INVENTORS OY [FI]), 2014.07.17. See in particular page 5 lines 6-15, 29-34, page 7 lines 4-7, 18-26 and Fig. 2, 6, 7. | 1-2, 4-6, 8 |
| X | US 5573168 A (KANNANKERIL CHARLES P [US]) 1996.11.12. See in particular column 4 lines 44-54, column 4 line 65 to column 5 line 10 and Fig. 1. | 1, 3, 5, 8 |
| X | WO 2016/124912 A1 (GLOBAL TRADING UK LTD [GB]), 2016.08.11. See in particular page 8 line 9 to page 9 line 11 and Fig. 4, 5. | 1, 4-5 |
| X | US 2013/0134181 A1 (HELSETH JAMES RAY [US], et al.), 2013.05.30. See in particular paragraph [0007] and Fig. 7. | 1, 3 |
| X | WO 97/16349 A1 (BATTAMS SIDNEY HENRY [GB]), 1997.05.09. See in particular page 21 lines 6-14 and Fig. 4. | 1, 4 |
| X | EP 0528670 (A1 SONOCO PRODUCTS CO [US]), 1993.02.24. See in particular column 4 line 34 to column 5 line 26 and Fig. 7. | 1 |
| <input checked="" type="checkbox"/> Further documents are listed in the continuation of Box C. <input checked="" type="checkbox"/> See patent family annex. | | |
| * Special categories of cited documents: “A” document defining the general state of the art which is not considered to be of particular relevance “E” earlier application or patent but published on or after the international filing date “L” document which may throw doubts on priority claim(s) or which is cited to establish the publication date of another citation or other special reason (as specified) “O” document referring to an oral disclosure, use, exhibition or other means “P” document published prior to the international filing date but later than the priority date claimed “T” later document published after the international filing date or priority date and not in conflict with the application but cited to understand the principle or theory underlying the invention “X” document of particular relevance; the claimed invention cannot be considered novel or cannot be considered to involve an inventive step when the document is taken alone “Y” document of particular relevance; the claimed invention cannot be considered to involve an inventive step when the document is combined with one or more other such documents, such combination being obvious to a person skilled in the art “&” document member of the same patent family | | |
| Date of the actual completion of the international search | Date of mailing of the international search report | |
| 23/04/2018 | 24/04/2018 | |
| Name and mailing address of the ISA Nordic Patent Institute Helgeshøj Allé 81 DK - 2630 Taastrup, Denmark. Facsimile No. + 45 43 50 80 08 | Authorized officer Nis Dam Madsen Telephone No. +45 43 50 84 93 | |

INTERNATIONAL SEARCH REPORT

International application No.

PCT/DK2018/050042

| C (Continuation). DOCUMENTS CONSIDERED TO BE RELEVANT | | |
|---|--|-----------------------|
| Category* | Citation of document, with indication, where appropriate, of the relevant passages | Relevant to claim No. |
| A | GB 2088330 A (PERSTORP AB), 1982.06.09. See in particular Fig. 4. | - |
| A | WO 96/22043 A1 (TRYK JOHAN MARIUS [DK]) 1996.07.25. See in particular Fig. 6. | - |

INTERNATIONAL SEARCH REPORT
Information on patent family members

International application No.

PCT/DK2018/050042

| Patent document cited in search report / Publication date | Patent family member(s) / Publication date |
|---|--|
| WO 2014/108603 A1 2014.07.17 | FI 10084U UI 2013.05.16 |
| US 5573168 A 1996.11.12 | US 5813585 A 1998.09.29 |
| WO 2016/124912 A1 2016.08.11 | GB 2535448 A 2016.08.24 EP 3253698 A1 2017.12.13 |
| US 2013/0134181 A1 2013.05.30 | US 9206007 B2 2015.12.08 US 2016016752 A1 2016.01.21 US 9751712 B2 2017.09.05 |
| WO 97/16349 A1 1997.05.09 | AU 7324196 A 1997.05.22 EP 0858413 A1 1998.08.19 EP 0858413 B1 2003.05.21 |
| EP 0528670 A1 1993.02.24 | CA 2075853 A1 1993.02.17 CA 2075853 C 1997.12.09 US 5207368 A 1993.05.04 |
| GB 2088330 A 1982.06.09 | SE 8008142L L 1982.05.21 DE 3146082 A1 1982.06.16 |
| WO 96/22043 A1 1996.07.25 | DK 110495 A 1996.07.17 CA 2242898 A1 1996.07.25 AU 4384996 A 1996.08.07 IS 4526 A 1997.07.15 FI 973003 A 1997.09.15 NO 973224 A 1997.09.16 BR 9606976 A 1997.11.04 EP 0804113 A1 1997.11.05 EP 0804113 B1 2007.04.04 CN 1168087 A 1997.12.17 PL 321808 A1 1997.12.22 PL 180227B B1 2001.01.31 EA 199700112 A1 1997.12.30 SK 96097 A3 1998.01.14 MX 9705394 A 1998.02.28 BG 101780 A 1998.03.31 EE 9700351 A 1998.06.15 TW 339321B B 1998.09.01 JPH 11502489 A 1999.03.02 HU 9900321 A2 1999.05.28 HU 9900321 A3 2000.01.28 CZ 9702261 A3 1999.06.16 |
| | |

Box No. II Observations where certain claims were found unsearchable (Continuation of item 2 of first sheet)

This international search report has not been established in respect of certain claims under Article 17(2)(a) for the following reasons:

1. Claims Nos.:
because they relate to subject matter not required to be searched by this Authority, namely:

2. Claims Nos.:
because they relate to parts of the international application that do not comply with the prescribed requirements to such an extent that no meaningful international search can be carried out, specifically:

3. Claims Nos.:
because they are dependent claims and are not drafted in accordance with the second and third sentences of Rule 6.4(a).

Box No. III Observations where unity of invention is lacking (Continuation of item 3 of first sheet)

This International Searching Authority found multiple inventions in this international application, as follows:

See extra sheet for explanation.

1. As all required additional search fees were timely paid by the applicant, this international search report covers all searchable claims.
2. As all searchable claims could be searched without effort justifying additional fees, this Authority did not invite payment of additional fees.
3. As only some of the required additional search fees were timely paid by the applicant, this international search report covers only those claims for which fees were paid, specifically claims Nos.:
4. No required additional search fees were timely paid by the applicant. Consequently, this international search report is restricted to the invention first mentioned in the claims; it is covered by claims Nos.: 1-9

Remark on Protest

- The additional search fees were accompanied by the applicant's protest and, where applicable, the payment of a protest fee.
- The additional search fees were accompanied by the applicant's protest but the applicable protest fee was not paid within the time limit specified in the invitation.
- No protest accompanied the payment of additional search fees.

Regarding item 4 in Box No. III:

This application is deemed to comprise two groups of inventions, therefore it does not meet the requirements for unity of invention, as set forth in Rule 13.1 PCT.

The separate groups of inventions are considered to be:

1. Claims 1-9 defines a bag dispenser with technical features relating to its function as such.
2. Claims 10-12 defines a clamp mount with technical features relating to its function as such.

The clamp mount could be used in connection with the bag dispenser but not exclusively so. The only technical feature present in both inventions is the holding stem. However, a holding stem is a typical feature in bag dispensers, see for example WO 2014/108603 A1, Fig. 7, item 19. Therefore, the requirement of unity is not fulfilled, according to Rule 13.2 PCT, because there are no common special technical features.

Box No. IV **Text of the abstract (Continuation of item 5 of the first sheet)**

In accordance with the invention, there is supplied a dispenser (100) for a roll of plastic bags, including holders for said dispensers for rolls of plastic bags. The dispenser (100) comprises a housing (110) for the roll, holding means for fixating the roll relative to said housing (110), and a dispensing opening (104) for consecutive dispensing of plastic bags from the roll, while said roll is affixed by said holding means, wherein said dispensing opening (104) is formed of two adjacent surfaces (101, 102) in between which, the plastic bags can be dispensed and held in position. Thereby, a sanitary and easy plastic bag dispensation is achieved.