

(19) World Intellectual Property Organization
International Bureau



(43) International Publication Date
23 August 2007 (23.08.2007)

PCT

(10) International Publication Number
WO 2007/095529 A3

(51) International Patent Classification:
B60S 9/06 (2006.01)

(21) International Application Number:
PCT/US2007/062050

(22) International Filing Date:
13 February 2007 (13.02.2007)

(25) Filing Language: English

(26) Publication Language: English

(30) Priority Data:
60/773,283 13 February 2006 (13.02.2006) US

(71) Applicant and

(72) Inventor: BAXTER, Bob, G. [US/US]; 1130 Route W,
Warrenton, MO 63383 (US).

(74) Agents: ROLNICKI, Joseph, M. et al.; Thompson
Coburn, LLP, One US Bank Plaza, St. Louis, MO 63101
(US).

(81) Designated States (unless otherwise indicated, for every
kind of national protection available): AE, AG, AL, AM,

AT, AU, AZ, BA, BB, BG, BR, BW, BY, BZ, CA, CH, CN,
CO, CR, CU, CZ, DE, DK, DM, DZ, EC, EE, EG, ES, FI,
GB, GD, GE, GH, GM, GT, HN, HR, HU, ID, IL, IN, IS,
JP, KE, KG, KM, KN, KP, KR, KZ, LA, LC, LK, LR, LS,
LT, LU, LV, LY, MA, MD, MG, MK, MN, MW, MX, MY,
MZ, NA, NG, NI, NO, NZ, OM, PG, PH, PL, PT, RO, RS,
RU, SC, SD, SE, SG, SK, SL, SM, SV, SY, TJ, TM, TN,
TR, TT, TZ, UA, UG, US, UZ, VC, VN, ZA, ZM, ZW.

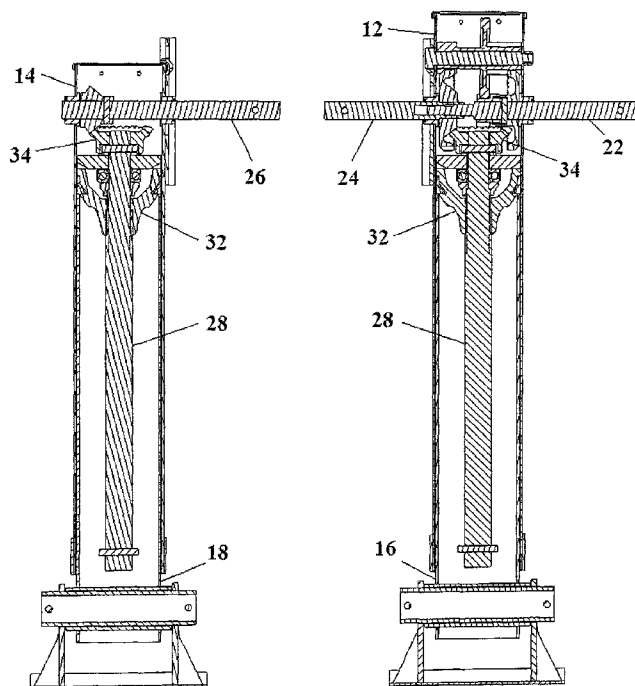
(84) Designated States (unless otherwise indicated, for every
kind of regional protection available): ARIPO (BW, GH,
GM, KE, LS, MW, MZ, NA, SD, SL, SZ, TZ, UG, ZM,
ZW), Eurasian (AM, AZ, BY, KG, KZ, MD, RU, TJ, TM),
European (AT, BE, BG, CH, CY, CZ, DE, DK, EE, ES, FI,
FR, GB, GR, HU, IE, IS, IT, LT, LU, LV, MC, NL, PL, PT,
RO, SE, SI, SK, TR), OAPI (BF, BJ, CF, CG, CI, CM, GA,
GN, GQ, GW, ML, MR, NE, SN, TD, TG).

Declaration under Rule 4.17:
— of inventorship (Rule 4.17(iv))

Published:
— with international search report

(88) Date of publication of the international search report:
9 April 2009

(54) Title: LEG CONTAINED LANDING GEAR ASSEMBLY



(57) Abstract: A landing gear assembly which supports the front end of a truck trailer, having a gearing mechanism (34) that provides a two-speed operation for raising and lowering the legs (16, 18) of the assembly, the gearing assembly being entirely contained within the leg housings (12, 14) of the assembly.



WO 2007/095529 A3

INTERNATIONAL SEARCH REPORT

International application No.
PCT/US07/62050

A. CLASSIFICATION OF SUBJECT MATTER
 IPC: B60S 9/06(2006.01)

 USPC: 280/763.1,766.1;254/418,419,420,424,425
 According to International Patent Classification (IPC) or to both national classification and IPC

B. FIELDS SEARCHED
 Minimum documentation searched (classification system followed by classification symbols)
 U.S. : 280/763.1, 766.1; 254/418, 419, 420, 424, 425

 Documentation searched other than minimum documentation to the extent that such documents are included in the fields searched

 Electronic data base consulted during the international search (name of data base and, where practicable, search terms used)

C. DOCUMENTS CONSIDERED TO BE RELEVANT

Category *	Citation of document, with indication, where appropriate, of the relevant passages	Relevant to claim No.
X	US 2003/0183033 A1 (PEVELER) 2 October 2003 (02.10.2003) Figures 2, 9-12; paragraphs 0050, 0055	21-27, 29-31
---		-----
Y		1-4, 10

Further documents are listed in the continuation of Box C. See patent family annex.

* Special categories of cited documents:	
"A" document defining the general state of the art which is not considered to be of particular relevance	"T" later document published after the international filing date or priority date and not in conflict with the application but cited to understand the principle or theory underlying the invention
"E" earlier application or patent published on or after the international filing date	"X" document of particular relevance; the claimed invention cannot be considered novel or cannot be considered to involve an inventive step when the document is taken alone
"L" document which may throw doubts on priority claim(s) or which is cited to establish the publication date of another citation or other special reason (as specified)	"Y" document of particular relevance; the claimed invention cannot be considered to involve an inventive step when the document is combined with one or more other such documents, such combination being obvious to a person skilled in the art
"O" document referring to an oral disclosure, use, exhibition or other means	"&" document member of the same patent family
"P" document published prior to the international filing date but later than the priority date claimed	

Date of the actual completion of the international search 19 August 2008 (19.08.2008)	Date of mailing of the international search report 02 SEP 2008
Name and mailing address of the ISA/US Mail Stop PCT, Attn: ISA/US Commissioner for Patents P.O. Box 1450 Alexandria, Virginia 22313-1450 Facsimile No. (571) 273-3201	Authorized officer <i>Chris Ellis</i> Chris Ellis Telephone No. 571-272-4300