



- (51) International Patent Classification:
B62D 55/00 (2006.01) *B62D 55/08* (2006.01)
B62D 55/06 (2006.01)
- (21) International Application Number:
PCT/IB2018/055123
- (22) International Filing Date:
11 July 2018 (11.07.2018)
- (25) Filing Language: English
- (26) Publication Language: English
- (30) Priority Data:
62/530,937 11 July 2017 (11.07.2017) US
- (71) Applicant: SOUCY INTERNATIONAL INC. [CA/CA];
5450 rue Saint-Roch, Drummondville, Québec J2B 6W3
(CA).
- (71) Applicant (for ZW only): KIMPEX USA [US/US]; 100
Walnut Street, Suite 51, Champlain, New York 12919 (US).
- (72) Inventors: SAUVAGEAU, Yves; 1760, rue Des-
jardins, Drummondville, Québec J2B 3Y5 (CA).
LAFLAMME, Francois; 179 chemin Yamaska, St-Ger-
main-De-Grantham, Québec J0C 1K0 (CA). NANAC,
Branislav; 5190 Martine, Drummondville, Québec J2E
1T6 (CA). GAUTHIER, Patrick; 98 rue des Violettes,
Blainville, Québec J7C 5M4 (CA). HALSTEAD, Er-
ic; 2278 Rue Denis, Sainte-Marie-Madeleine, Québec
J0H 1S0 (CA). NADEAU, Marc; 3170 Des Jonquilles,
Drummondville, Québec J2B 8J3 (CA). MARTINEAU-
ROUSSEAU, Philippe; 272 rue Morin, Windsor, Québec
J1S 0A2 (CA). BARRY, David; 50 du bord de l'eau est,
App. 317, Longueuil, Québec J4H 0A1 (CA).

(54) Title: TRACK SYSTEM FOR A TOWED VEHICLE

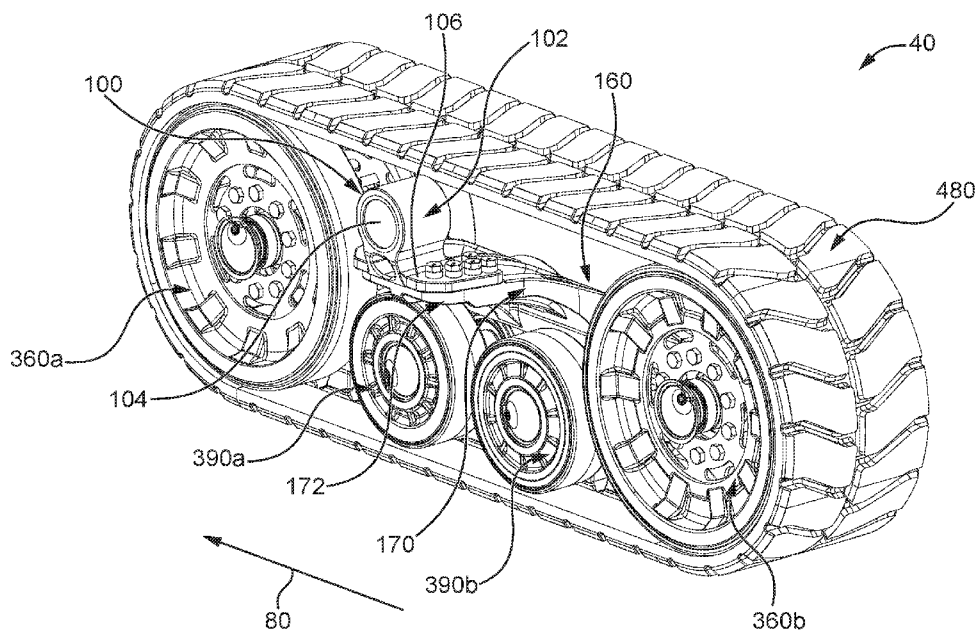


Fig. 1A

(57) Abstract: A track system for use with a towed vehicle has an attachment assembly and a multi-member frame assembly. The multi-member frame assembly includes a primary frame member connected to the attachment assembly, at least one wheel-bearing frame member pivotably connected to the primary frame member about a pivot located within a recess, and at least one resilient bushing assembly located within the recess and engaging the pivot. The at least one bushing assembly is resiliently deformable in a circumferential direction to permit pivoting of the pivot with respect to the recess, and is fixedly connected within the recess to resiliently bias the pivot towards a rest position with respect to the recess. The track system further includes leading and trailing idler wheel assemblies rotatably connected to the at least one wheel-bearing frame member, and an endless track.



(74) **Agent: CUTLER, Jonathan D.;** BCF LLP, 1100 Rene-Levesque Blvd West, Suite 2500, Montreal, Québec H3B 5C9 (CA).

(81) **Designated States** (*unless otherwise indicated, for every kind of national protection available*): AE, AG, AL, AM, AO, AT, AU, AZ, BA, BB, BG, BH, BN, BR, BW, BY, BZ, CA, CH, CL, CN, CO, CR, CU, CZ, DE, DJ, DK, DM, DO, DZ, EC, EE, EG, ES, FI, GB, GD, GE, GH, GM, GT, HN, HR, HU, ID, IL, IN, IR, IS, JO, JP, KE, KG, KH, KN, KP, KR, KW, KZ, LA, LC, LK, LR, LS, LU, LY, MA, MD, ME, MG, MK, MN, MW, MX, MY, MZ, NA, NG, NI, NO, NZ, OM, PA, PE, PG, PH, PL, PT, QA, RO, RS, RU, RW, SA, SC, SD, SE, SG, SK, SL, SM, ST, SV, SY, TH, TJ, TM, TN, TR, TT, TZ, UA, UG, US, UZ, VC, VN, ZA, ZM, ZW.

(84) **Designated States** (*unless otherwise indicated, for every kind of regional protection available*): ARIPO (BW, GH, GM, KE, LR, LS, MW, MZ, NA, RW, SD, SL, ST, SZ, TZ, UG, ZM, ZW), Eurasian (AM, AZ, BY, KG, KZ, RU, TJ, TM), European (AL, AT, BE, BG, CH, CY, CZ, DE, DK, EE, ES, FI, FR, GB, GR, HR, HU, IE, IS, IT, LT, LU, LV, MC, MK, MT, NL, NO, PL, PT, RO, RS, SE, SI, SK, SM, TR), OAPI (BF, BJ, CF, CG, CI, CM, GA, GN, GQ, GW, KM, ML, MR, NE, SN, TD, TG).

Published:

- with international search report (*Art. 21(3)*)
- before the expiration of the time limit for amending the claims and to be republished in the event of receipt of amendments (*Rule 48.2(h)*)

(88) **Date of publication of the international search report:**
21 February 2019 (21.02.2019)

INTERNATIONAL SEARCH REPORT

International application No.

PCT/IB 18/55123

A. CLASSIFICATION OF SUBJECT MATTER

IPC(8) - B62D 55/00, B62D 55/06, B62D 55/08 (2018.01)

CPC - B60G 2300/32, B62D 55/00, B62D 55/06, B62D 55/08, B62D 55/084, B62D 55/10, B62D 55/104, B62D 55/14, B62D 55/15, B62D 55/18

According to International Patent Classification (IPC) or to both national classification and IPC

B. FIELDS SEARCHED

Minimum documentation searched (classification system followed by classification symbols)

See Search History Document

Documentation searched other than minimum documentation to the extent that such documents are included in the fields searched

See Search History Document

Electronic data base consulted during the international search (name of data base and, where practicable, search terms used)

See Search History Document

C. DOCUMENTS CONSIDERED TO BE RELEVANT

Category*	Citation of document, with indication, where appropriate, of the relevant passages	Relevant to claim No.
A	US 2016/0068205 A1 (BAE SYSTEMS HAEGGLUNDS AKTIEBOLAG) 10 March 2016 (10.03.2016), entire document, especially Fig 2-4, para [0002], para [0020], para [0070]	1-4
A	US 2003/0222432 A1 (Bowers et al.) 04 December 2003 (04.12.2003), entire document	1-4
A	US 3,430,790 A (Beltrami) 04 March 1969 (04.03.1969), entire document	1-4

 Further documents are listed in the continuation of Box C. See patent family annex.

* Special categories of cited documents:

"A" document defining the general state of the art which is not considered to be of particular relevance

"E" earlier application or patent but published on or after the international filing date

"L" document which may throw doubts on priority claim(s) or which is cited to establish the publication date of another citation or other special reason (as specified)

"O" document referring to an oral disclosure, use, exhibition or other means

"P" document published prior to the international filing date but later than the priority date claimed

"T" later document published after the international filing date or priority date and not in conflict with the application but cited to understand the principle or theory underlying the invention

"X" document of particular relevance; the claimed invention cannot be considered novel or cannot be considered to involve an inventive step when the document is taken alone

"Y" document of particular relevance; the claimed invention cannot be considered to involve an inventive step when the document is combined with one or more other such documents, such combination being obvious to a person skilled in the art

"&" document member of the same patent family

Date of the actual completion of the international search

15 November 2018

Date of mailing of the international search report

20 DEC 2018

Name and mailing address of the ISA/US

Mail Stop PCT, Attn: ISA/US, Commissioner for Patents
P.O. Box 1450, Alexandria, Virginia 22313-1450

Facsimile No. 571-273-8300

Authorized officer:

Lee W. Young

PCT Helpdesk: 571-272-4300
PCT OSP: 571-272-7774

INTERNATIONAL SEARCH REPORT

International application No.

PCT/IB 18/55123

Box No. II Observations where certain claims were found unsearchable (Continuation of item 2 of first sheet)

This international search report has not been established in respect of certain claims under Article 17(2)(a) for the following reasons:

1. Claims Nos.:
because they relate to subject matter not required to be searched by this Authority, namely:

2. Claims Nos.:
because they relate to parts of the international application that do not comply with the prescribed requirements to such an extent that no meaningful international search can be carried out, specifically:

3. Claims Nos.: 5-17
because they are dependent claims and are not drafted in accordance with the second and third sentences of Rule 6.4(a).

Box No. III Observations where unity of invention is lacking (Continuation of item 3 of first sheet)

This International Searching Authority found multiple inventions in this international application, as follows:

1. As all required additional search fees were timely paid by the applicant, this international search report covers all searchable claims.
2. As all searchable claims could be searched without effort justifying additional fees, this Authority did not invite payment of additional fees.
3. As only some of the required additional search fees were timely paid by the applicant, this international search report covers only those claims for which fees were paid, specifically claims Nos.:

4. No required additional search fees were timely paid by the applicant. Consequently, this international search report is restricted to the invention first mentioned in the claims; it is covered by claims Nos.:

Remark on Protest

- The additional search fees were accompanied by the applicant's protest and, where applicable, the payment of a protest fee.
- The additional search fees were accompanied by the applicant's protest but the applicable protest fee was not paid within the time limit specified in the invitation.
- No protest accompanied the payment of additional search fees.