



(12) EUROPEAN PATENT APPLICATION

(88) Date of publication A3:
14.04.2004 Bulletin 2004/16

(51) Int Cl.7: B41J 2/175

(43) Date of publication A2:
03.03.2004 Bulletin 2004/10

(21) Application number: 03255103.8

(22) Date of filing: 18.08.2003

(84) Designated Contracting States:
AT BE BG CH CY CZ DE DK EE ES FI FR GB GR
HU IE IT LI LU MC NL PT RO SE SI SK TR
Designated Extension States:
AL LT LV MK

- Asauchi, Noboru
Suwa-shi Nagano-ken 392-8502 (JP)
- Fukano, Takakazu
Suwa-shi Nagano-ken 392-8502 (JP)
- Saruta, Toshihisa
Suwa-shi Nagano-ken 392-8502 (JP)
- Ishii, Eiichi, c/o Yoshikawa RF Syst. Co.Ltd.
Sumida-ku Tokyo, 130-0022 (JP)

(30) Priority: 22.08.2002 JP 2002241450
14.04.2003 JP 2003108567

(71) Applicant: SEIKO EPSON CORPORATION
Shinjuku-ku, Tokyo 163-0811 (JP)

(74) Representative: Sturt, Clifford Mark et al
Miller Sturt Kenyon
9 John Street
London WC1N 2ES (GB)

(72) Inventors:
• Kosugi, Yasuhiko
Suwa-shi Nagano-ken 392-8502 (JP)

(54) Power conditioning in printing fluid container powered by radio waves

(57) The present invention is a container for holding printing fluid material. The container comprises a detector (230), a memory unit (220), a communication module (200), a first electric power generator (240), and a second electric power generator (250). The communication module is configured to transmit at least one of a result of the detection and the information regarding the con-

tainer to the printing device. The first electric power generator is configured to generate a first electric power by utilizing the radio wave received from the printing device. The second electric power generator is configured to generate a second electric power from the first electric power. The second electric power is supplied to both the detector and the memory unit.

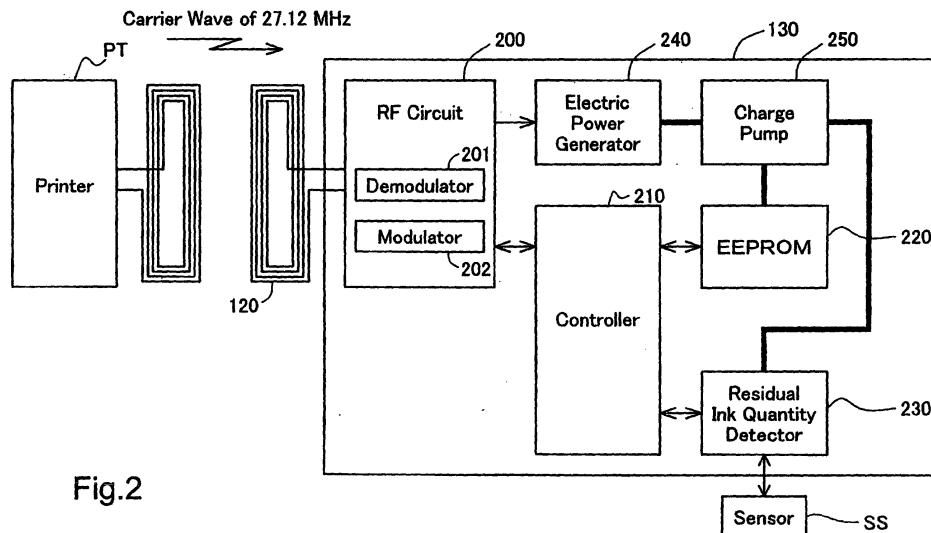


Fig.2



European Patent
Office

EUROPEAN SEARCH REPORT

Application Number
EP 03 25 5103

DOCUMENTS CONSIDERED TO BE RELEVANT			
Category	Citation of document with indication, where appropriate, of relevant passages	Relevant to claim	CLASSIFICATION OF THE APPLICATION (Int.Cl.7)
X	WO 02/061578 A (HEWLETT PACKARD CO) 8 August 2002 (2002-08-08) * page 10, line 12 - line 30 * * page 14, line 1 - line 25 *	1-8	B41J2/175
A	US 6 385 407 B1 (INOSE FUMIYUKI) 7 May 2002 (2002-05-07) * column 3, line 58 - line 67 * * column 4, line 47 - line 53 * * column 5, line 31 - column 7, line 21 * * figures 1-3 *	1-8	
A	EP 1 153 752 A (CANON KK) 14 November 2001 (2001-11-14) * paragraphs [0057], [0201] - [0211] * * figure 49 *	1-8	
A	EP 1 164 022 A (CANON KK) 19 December 2001 (2001-12-19) * paragraphs [0022], [0032], [0058] *	1-8	
			TECHNICAL FIELDS SEARCHED (Int.Cl.7)
			B41J G03G
The present search report has been drawn up for all claims			
Place of search		Date of completion of the search	Examiner
Munich		10 November 2003	Bridge, S
CATEGORY OF CITED DOCUMENTS			
X : particularly relevant if taken alone Y : particularly relevant if combined with another document of the same category A : technological background O : non-written disclosure P : intermediate document		T : theory or principle underlying the invention E : earlier patent document, but published on, or after the filing date D : document cited in the application L : document cited for other reasons & : member of the same patent family, corresponding document	

EPO FORM 1503 03.02 (P04C01)



CLAIMS INCURRING FEES

The present European patent application comprised at the time of filing more than ten claims.

- Only part of the claims have been paid within the prescribed time limit. The present European search report has been drawn up for the first ten claims and for those claims for which claims fees have been paid, namely claim(s):

- No claims fees have been paid within the prescribed time limit. The present European search report has been drawn up for the first ten claims.

LACK OF UNITY OF INVENTION

The Search Division considers that the present European patent application does not comply with the requirements of unity of invention and relates to several inventions or groups of inventions, namely:

see sheet B

- All further search fees have been paid within the fixed time limit. The present European search report has been drawn up for all claims.
- As all searchable claims could be searched without effort justifying an additional fee, the Search Division did not invite payment of any additional fee.
- Only part of the further search fees have been paid within the fixed time limit. The present European search report has been drawn up for those parts of the European patent application which relate to the inventions in respect of which search fees have been paid, namely claims:

- None of the further search fees have been paid within the fixed time limit. The present European search report has been drawn up for those parts of the European patent application which relate to the invention first mentioned in the claims, namely claims:

1-8



European Patent
Office

LACK OF UNITY OF INVENTION
SHEET B

Application Number
EP 03 25 5103

The Search Division considers that the present European patent application does not comply with the requirements of unity of invention and relates to several inventions or groups of inventions, namely:

1. claims: 1-8

PROBLEM : providing electric power to the electrical consumers of an ink container; SOLUTION : a container with a detector, a memory unit, a communication module, a first electric power generator and a second electric power generator;

2. claims: 9-14

PROBLEM : providing different levels of electrical power in an ink container; SOLUTION : a container with a first electric power generator, a plurality of operating circuits and a boosting circuit.

**ANNEX TO THE EUROPEAN SEARCH REPORT
ON EUROPEAN PATENT APPLICATION NO.**

EP 03 25 5103

This annex lists the patent family members relating to the patent documents cited in the above-mentioned European search report.
The members are as contained in the European Patent Office EDP file on
The European Patent Office is in no way liable for these particulars which are merely given for the purpose of information.

10-11-2003

Patent document cited in search report	Publication date	Patent family member(s)	Publication date
WO 02061578 A	08-08-2002	US 2001019343 A1	06-09-2001
		CA 2436712 A1	08-08-2002
		EP 1386228 A2	04-02-2004
		WO 02061578 A2	08-08-2002
US 6385407 B1	07-05-2002	JP 2000246921 A	12-09-2000
EP 1153752 A	14-11-2001	JP 2001293883 A	23-10-2001
		JP 2002005818 A	09-01-2002
		JP 2002007984 A	11-01-2002
		JP 2002001990 A	08-01-2002
		JP 2001358292 A	26-12-2001
		CA 2343853 A1	14-10-2001
		CN 1325795 A	12-12-2001
		EP 1153752 A2	14-11-2001
		US 2002008724 A1	24-01-2002
		CA 2350392 A1	16-12-2001
		CA 2350397 A1	16-12-2001
		CA 2350402 A1	16-12-2001
		CN 1333133 A	30-01-2002
		CN 1339359 A	13-03-2002
CN 1367080 A	04-09-2002		
EP 1164022 A	19-12-2001	EP 1164022 A2	19-12-2001
		EP 1164023 A2	19-12-2001
		EP 1164024 A2	19-12-2001
		TW 508632 B	01-11-2002
		TW 504465 B	01-10-2002
		TW 514964 B	21-12-2002
		US 2002154181 A1	24-10-2002
		US 2002033855 A1	21-03-2002
		US 2002008722 A1	24-01-2002
		US 2002030710 A1	14-03-2002
		JP 2001358291 A	26-12-2001
		JP 2002005818 A	09-01-2002
		JP 2002005724 A	09-01-2002
		JP 2002113882 A	16-04-2002
CA 2350397 A1	16-12-2001		
CN 1367080 A	04-09-2002		
EP 1164022 A2	19-12-2001		
TW 514964 B	21-12-2002		
US 2002154181 A1	24-10-2002		
US 2002033855 A1	21-03-2002		
CA 2343853 A1	14-10-2001		
CA 2350392 A1	16-12-2001		
CA 2350402 A1	16-12-2001		

EPO FORM P0459

For more details about this annex : see Official Journal of the European Patent Office, No. 12/82

**ANNEX TO THE EUROPEAN SEARCH REPORT
ON EUROPEAN PATENT APPLICATION NO.**

EP 03 25 5103

This annex lists the patent family members relating to the patent documents cited in the above-mentioned European search report. The members are as contained in the European Patent Office EDP file on
The European Patent Office is in no way liable for these particulars which are merely given for the purpose of information.

10-11-2003

Patent document cited in search report	Publication date	Patent family member(s)	Publication date
EP 1164022	A	CN 1325795 A	12-12-2001
		CN 1333133 A	30-01-2002
		CN 1339359 A	13-03-2002
		EP 1153752 A2	14-11-2001
		EP 1164023 A2	19-12-2001
		EP 1164024 A2	19-12-2001
		TW 508632 B	01-11-2002
		TW 504465 B	01-10-2002
		US 2002008724 A1	24-01-2002
		US 2002008722 A1	24-01-2002
		US 2002030710 A1	14-03-2002
