



US 20220047060A1

(19) **United States**

(12) **Patent Application Publication**
Gannon

(10) **Pub. No.: US 2022/0047060 A1**

(43) **Pub. Date: Feb. 17, 2022**

(54) **EYELINER PENCIL WITH DISPOSABLE TIPS**

Publication Classification

(71) Applicant: **Shab Gannon**, Glen Head, NY (US)

(51) **Int. Cl.**
A45D 40/20 (2006.01)
A45D 40/24 (2006.01)

(72) Inventor: **Shab Gannon**, Glen Head, NY (US)

(52) **U.S. Cl.**
CPC *A45D 40/205* (2013.01); *A45D 2040/207* (2013.01); *A45D 40/24* (2013.01)

(21) Appl. No.: **17/402,292**

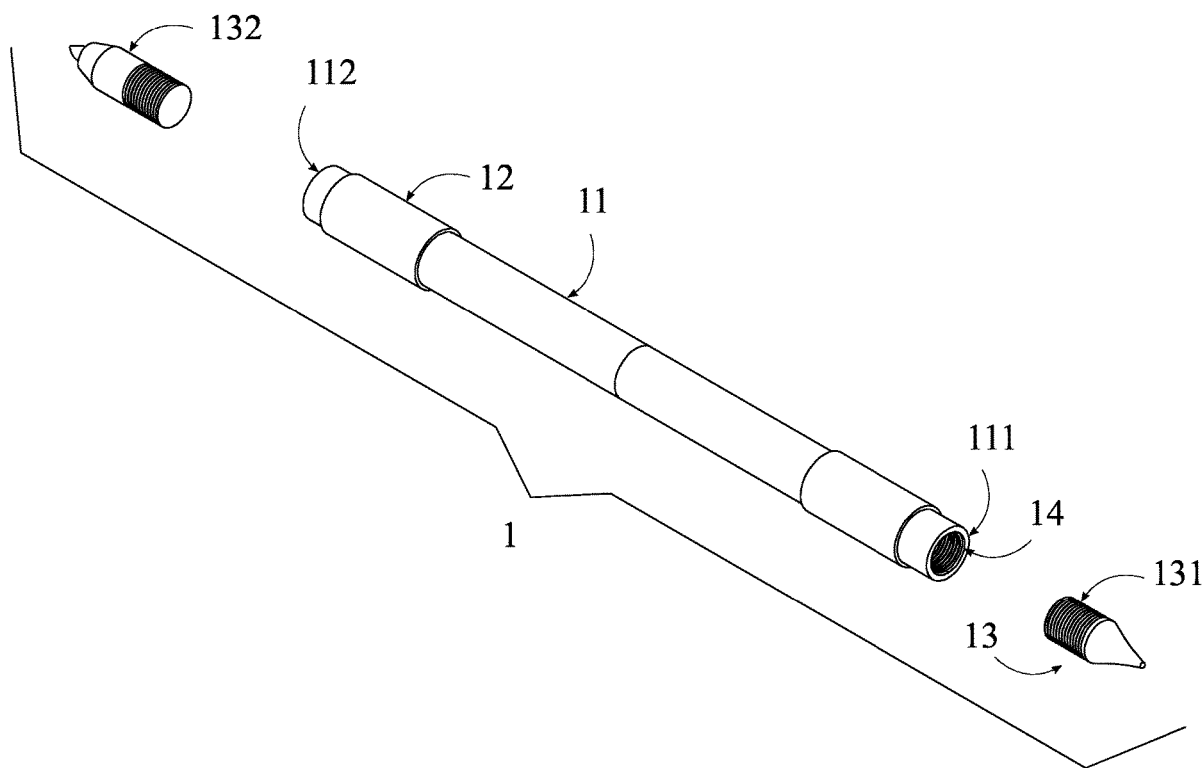
(57) **ABSTRACT**

(22) Filed: **Aug. 13, 2021**

An eyeliner pencil with disposable tips is presented. The eyeliner pencil with disposable tips contains a pencil body, at least one tip insert, and at least one fastening element. The at least one fastening element is distributed about the pencil body. Each of the at least one tip insert is removably attached to each of the at least one fastening element. The at least one fastener element allows the user to replace the at least one tip insert along the pencil body, facilitating sterile use and application of make-up.

Related U.S. Application Data

(60) Provisional application No. 63/065,384, filed on Aug. 13, 2020.



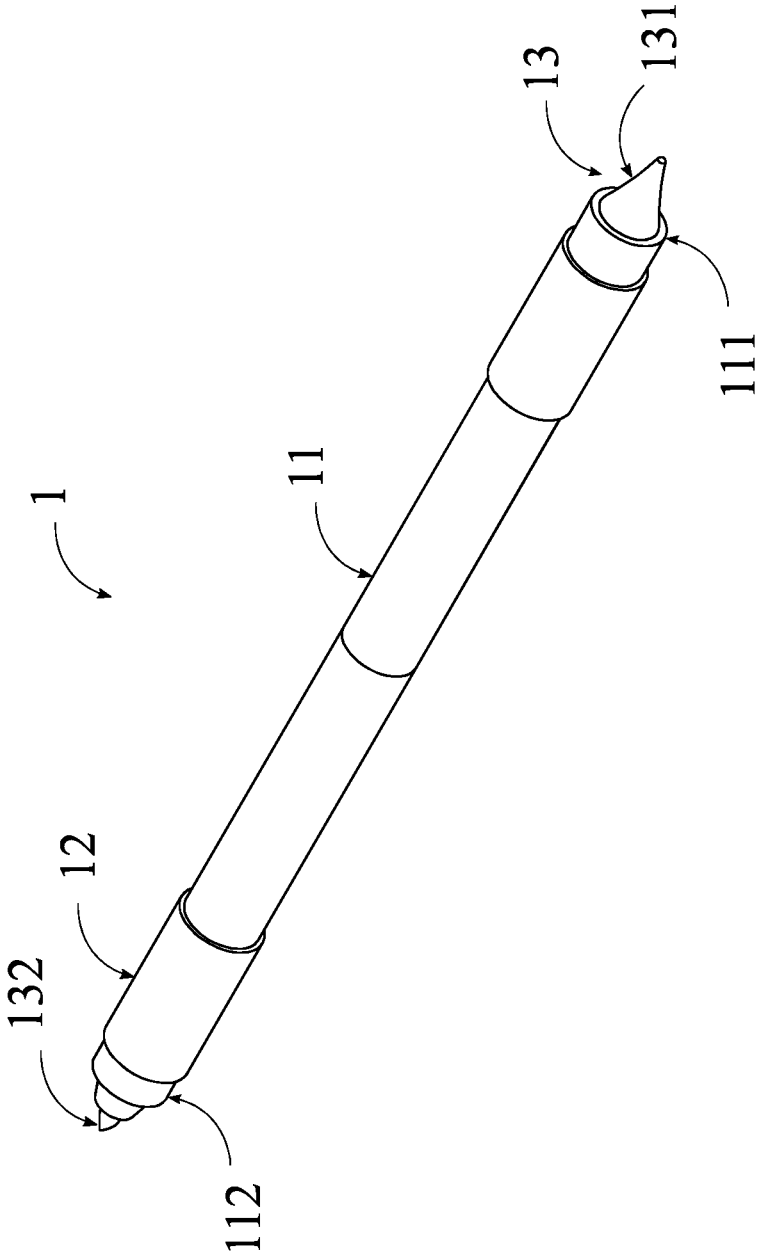


FIG. 1

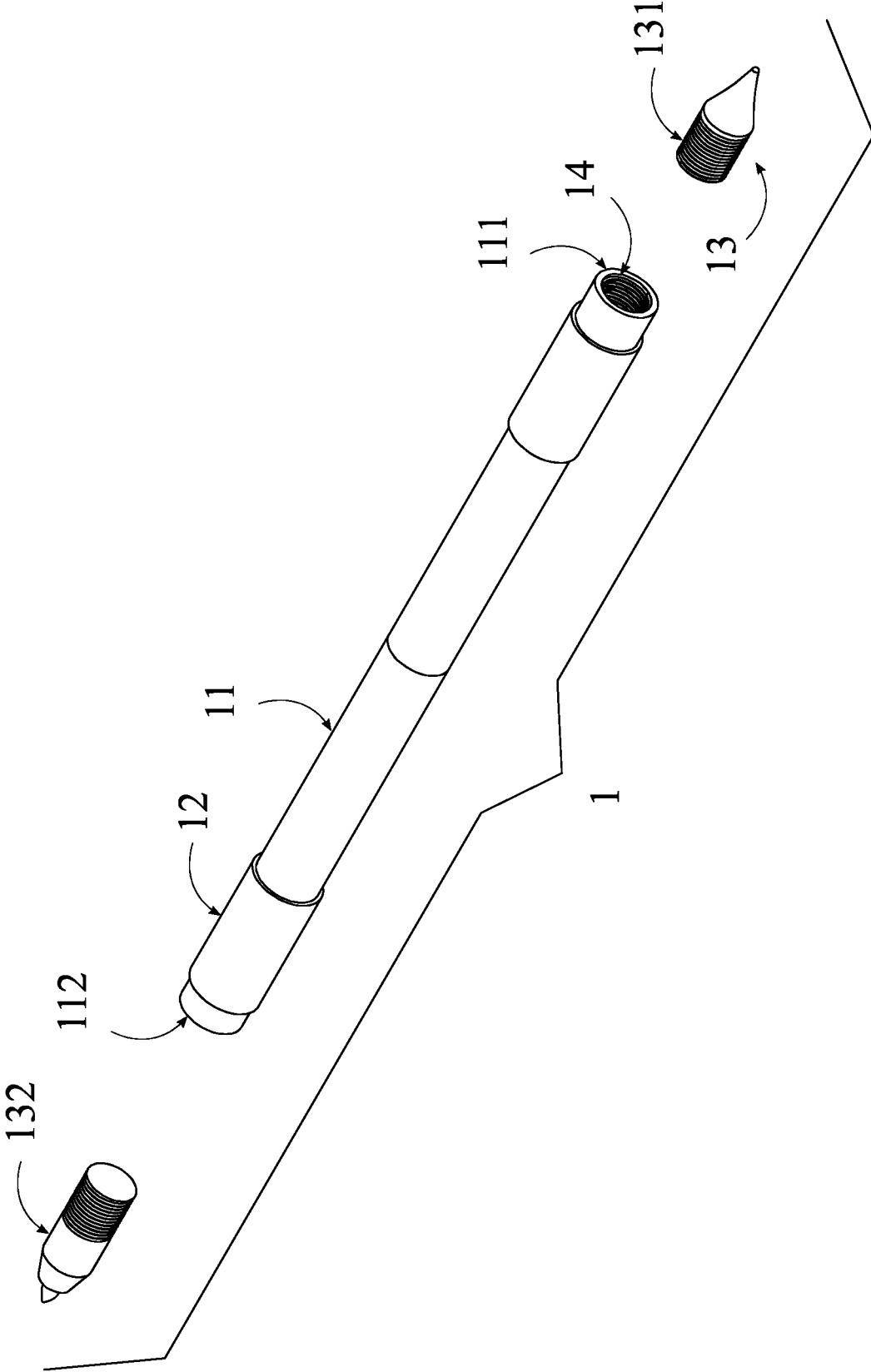


FIG. 2

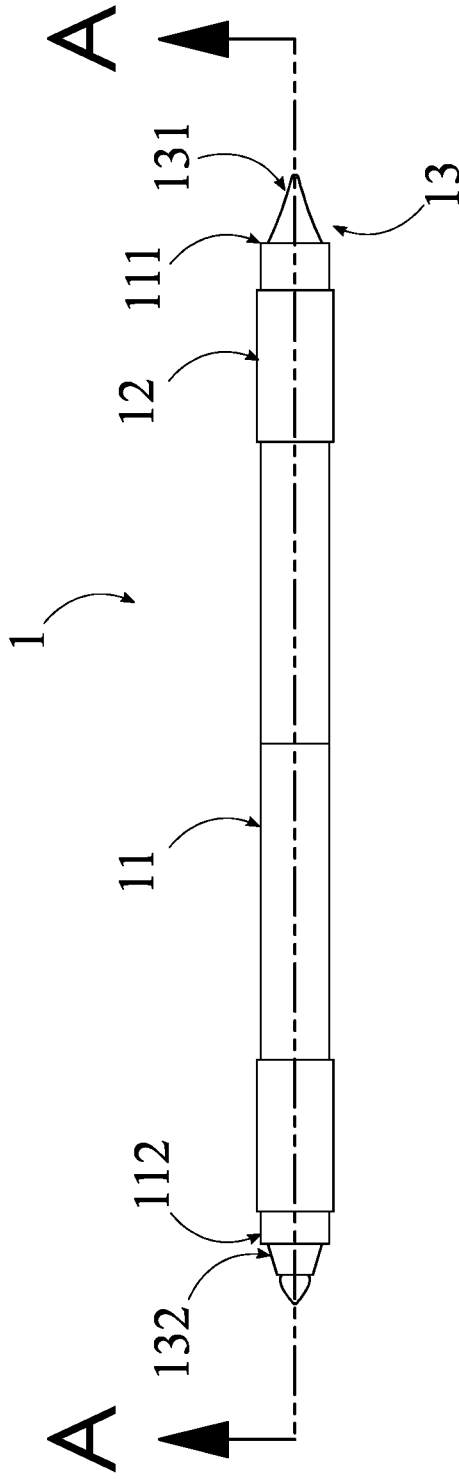


FIG. 3

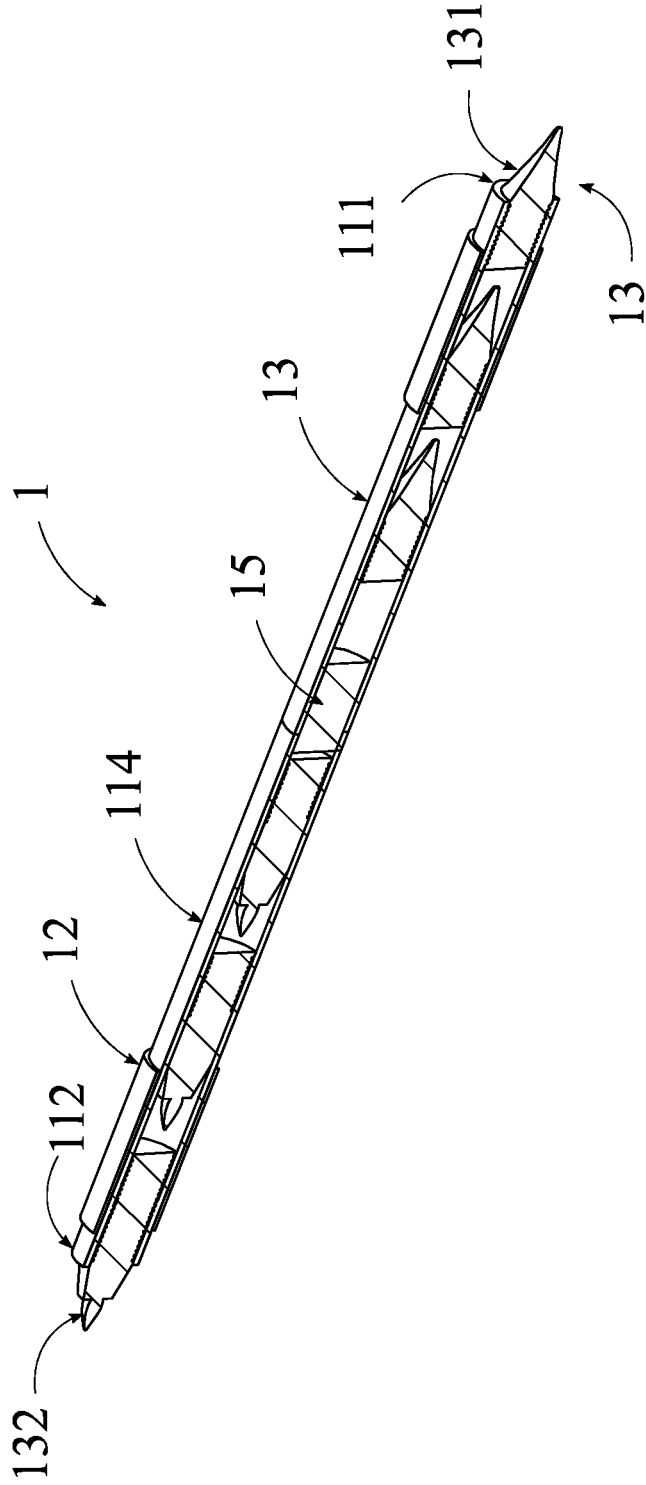


FIG. 4

EYELINER PENCIL WITH DISPOSABLE TIPS

[0001] The current application claims a priority to the U.S. Provisional Patent application Ser. No. 63/065,384 filed on Aug. 13, 2021.

FIELD OF THE INVENTION

[0002] The present invention generally relates to beauty products. More specifically, the present invention relates to an eyeliner pencil with disposable tips.

BACKGROUND OF THE INVENTION

[0003] The cosmetic industry is in constant demand during uncertain times. In light of the COVID-19 pandemic openings, makeover services, weddings, and model photoshoots still continue to be high in demand. Conventional eyeliner pencils used in the cosmetic industry are susceptible for cross-contamination of infectious diseases and pathogens such as pink eye, bacteria, virus strains, etc. Simply disposing these eyeliner pencils becomes expensive and impractical for the make-up artist. Therefore, it is an objective of the present invention to provide a sterile and economical means of applying eyeliner on a client.

[0004] The present invention is an eyeliner pencil with disposable tips. The present invention allows the user to easily remove and replace the old disposable tip. Additionally, the present invention allows the user to swap tips for different styles, colors, or any other features that complement the administered make-up design.

SUMMARY OF THE INVENTION

[0005] The present invention is an eyeliner pencil with disposable tips. The eyeliner pencil with disposable tips comprises a pencil body, at least one tip insert, and at least one fastening element. The at least one fastening element is distributed about the pencil body. Each of the at least one tip insert is removably attached to each of the at least one fastening element. The at least one fastener element allows the user to replace the at least one tip insert along the pencil body, facilitating sterile use and application of make-up.

BRIEF DESCRIPTION OF THE DRAWINGS

[0006] FIG. 1 is a perspective view of the present invention.

[0007] FIG. 2 is an exploded view of the present invention.

[0008] FIG. 3 is a side view of the present invention.

[0009] FIG. 4 is a cross sectional view of the present invention taken along cutting lines A-A in FIG. 3.

DETAIL DESCRIPTIONS OF THE INVENTION

[0010] All illustrations of the drawings are for the purpose of describing selected versions of the present invention and are not intended to limit the scope of the present invention. The present invention is to be described in detail and is provided in a manner that establishes a thorough understanding of the present invention. There may be aspects of the present invention that may be practiced or utilized without the implementation of some features as they are described. It should be understood that some details have not been described in detail in order to not unnecessarily obscure focus of the invention. References herein to “the preferred

embodiment”, “one embodiment”, “some embodiments”, or “alternative embodiments” should be considered to be illustrating aspects of the present invention that may potentially vary in some instances, and should not be considered to be limiting to the scope of the present invention as a whole.

[0011] In reference to FIGS. 1-4, the present invention is an eyeliner pencil with disposable tips 1. The eyeliner pencil with disposable tips 1 comprises a pencil body 11, at least one tip insert 13, and at least one fastening element 14. The at least one fastening element 14 is distributed about the pencil body 11. Each of the at least one tip insert 13 is removably attached to each of the at least one fastening element 14. In the preferred embodiment of the present invention, the at least one fastener element 14 allows the user to replace the at least one tip insert 13 along the pencil body 11, facilitating sterile use and application of make-up. In the preferred embodiment of the present invention, the at least one fastening element 14 is a threaded fastener but may take the form of any suitable type of fastening means, such as, but not limited to snap tabs, locking rings, cam locks, or any other suitable type of fastening means. In the preferred embodiment of the present invention, the eyeliner pencil with disposable tips 1 may take the form of a plastic construction, but may be made out any suitable material, such as, but not limited to aluminum, stainless steel, wood, or any other suitable material.

[0012] In the preferred embodiment of the present invention, the at least one tip insert 13 comprises a first tip insert 131 and a second tip insert 132, as shown in FIGS. 1-4. The pencil body 11 comprises a first end 111 and a second end 112. The first end 111 and the second end 112 are terminally positioned opposite to each other along the pencil body 11. The first insert is removably attached to the first end 111 through the at least one fastening element 14. The second insert is removably attached to the second end 112 through the at least one fastening element 14. In the preferred embodiment of the present invention, the first tip insert 131 is an eyeliner pencil tip. In the preferred embodiment of the present invention, the first tip insert 131 is an eyebrow pencil tip. In the preferred embodiment of the present invention, the second tip insert 132 is a make-up smudger tip. The eyeliner pencil with disposable tips 1 further comprises at least one grip 12. The at least one grip 12 is distributed about the pencil body 11. In the preferred embodiment of the present invention, the at least one grip 12 may take the form of a rubber or silicone grip that lines the pencil body 11 that allows the user to securely handle the pencil body 11.

[0013] The pencil body 11 further comprises a first section 113, a second section 114, and a pencil cavity 115, as shown in FIG. 4. The pencil cavity 115 is positioned within in the pencil body 11, where the pencil cavity 115 is configured to contain the at least one tip insert 13 within the pencil body 11. The first section 113 is removably attached to the second section 114 through a connection element 15. In the preferred embodiment of the present invention, the connection element 15 may take the form of a coupling implement that connects the first section 113 and second section 114 together. To access the at least one tip inserts 13 inside the pencil body 11, the user can separate the first section 113 from the second section 114 to access the pencil cavity 115. The connection element 15 may also serve as a divider or cap, where the connection element 15 is configured to be removed from the first section 113 or the second section 114.

[0014] Although the invention has been explained in relation to its preferred embodiment, it is to be understood that many other possible modifications and variations can be made without departing from the spirit and scope of the invention as hereinafter claimed.

What is claimed is:

1. A eyeliner pencil with disposable tips comprising:
 - a pencil body;
 - at least one tip insert;
 - at least one fastening element;
 - the at least one fastening element being distributed about the pencil body; and
 - each of the at least one tip insert being removably attached to each of the at least one fastening element.
2. The eyeliner pencil with disposable tips as claimed in claim 1 comprising:
 - the at least one tip insert comprising a first tip insert and a second tip insert;
 - the pencil body comprising a first end and a second end;
 - the first end and the second end being terminally positioned opposite to each other along the pencil body;
 - the first insert being removably attached to the first end through the at least one fastening element; and
 - the second insert being removably attached to the second end through the at least one fastening element.

3. The eyeliner pencil with disposable tips as claimed in claim 1 comprising:
 - at least one grip; and
 - the at least one grip being distributed about the pencil body.
4. The eyeliner pencil with disposable tips as claimed in claim 1 comprising:
 - the pencil body comprising a first section, a second section, and a pencil cavity;
 - the pencil cavity being positioned within in the pencil body, wherein the pencil cavity is configured to contain the at least one tip insert within the pencil body; and
 - the first section being removably attached to the second section through a connection element.
5. The eyeliner pencil with disposable tips as claimed in claim 2, wherein the at least one fastening element is a threaded fastener.
6. The eyeliner pencil with disposable tips as claimed in claim 2, wherein the first tip insert is an eyeliner pencil tip.
7. The eyeliner pencil with disposable tips as claimed in claim 2, wherein the first tip insert is an eyebrow pencil tip.
8. The eyeliner pencil with disposable tips as claimed in claim 2, wherein the second tip insert is a make-up smudger tip.

* * * * *